

[54] ACCESSORY MOUNT FOR CAMERAS

[75] Inventors: Michio Yoshida; Hiroshi Maeno, both of Tokyo, Japan

[73] Assignee: Canon Kabushiki Kaisha, Tokyo, Japan

[\*\*] Term: 14 Years

[21] Appl. No.: 754,442

[22] Filed: Jul. 12, 1985

[30] Foreign Application Priority Data

Jan. 16, 1985 [JP] Japan ..... 60-921

[52] U.S. Cl. .... D16/44; D16/10

[58] Field of Search ..... D16/44, 45, 46, 47, D16/6, 10, 38, 42; 354/286, 293, 294, 295, 288

[56] References Cited

U.S. PATENT DOCUMENTS

D. 236,029 7/1975 Land ..... D16/44

D. 255,582	6/1980	Lackenby	.....	D16/47
2,638,041	5/1953	Horydczak	.....	354/293
3,650,195	3/1972	Jones	.....	354/293
3,821,771	6/1974	Johnson	.....	354/293
4,313,665	2/1982	Spitz	.....	354/293

Primary Examiner—Nelson C. Holtje  
Attorney, Agent, or Firm—Fitzpatrick, Cella, Harper & Scinto

[57] CLAIM

The ornamental design for an accessory mount for cameras, as shown and described.

DESCRIPTION

FIG. 1 is a front elevational view of an accessory mount for cameras showing our new design;  
FIG. 2 is a rear elevational view thereof;  
FIG. 3 is a top plan view thereof;  
FIG. 4 is a bottom plan view thereof;  
FIG. 5 is a left side elevational view thereof;  
FIG. 6 is a right side elevational view thereof;  
FIG. 7 is a top and left front perspective view thereof.

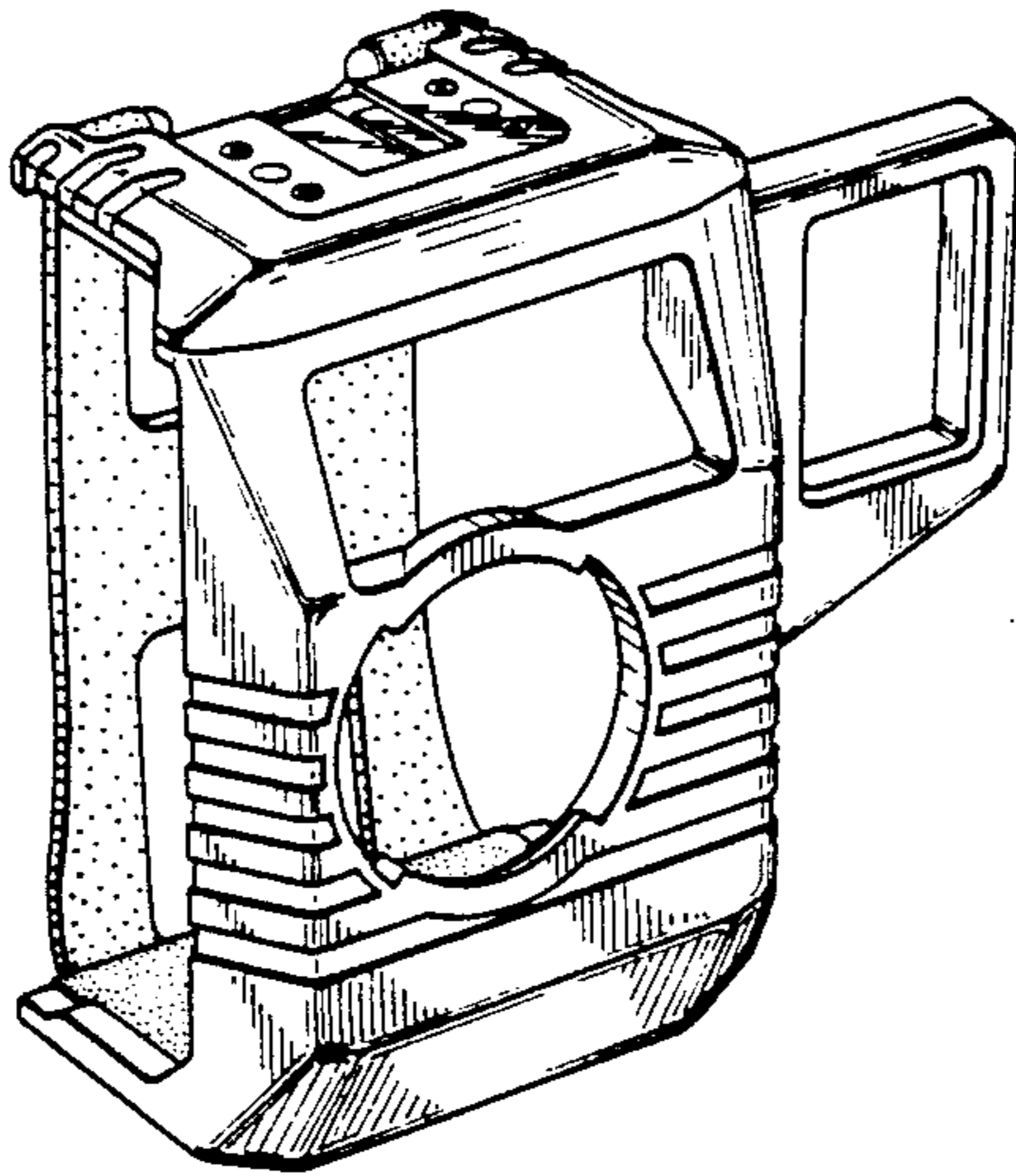


FIG. 1

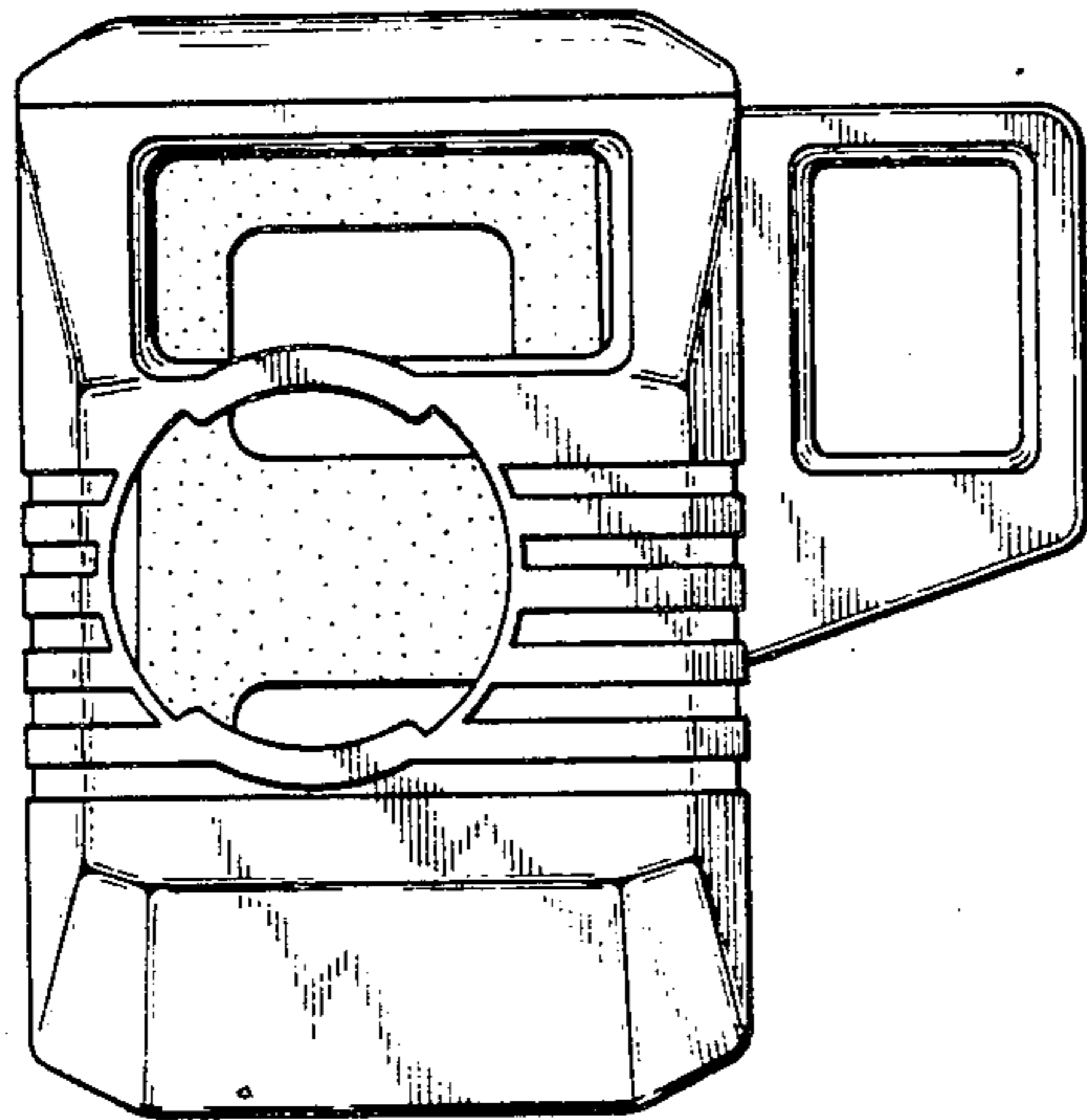


FIG. 2

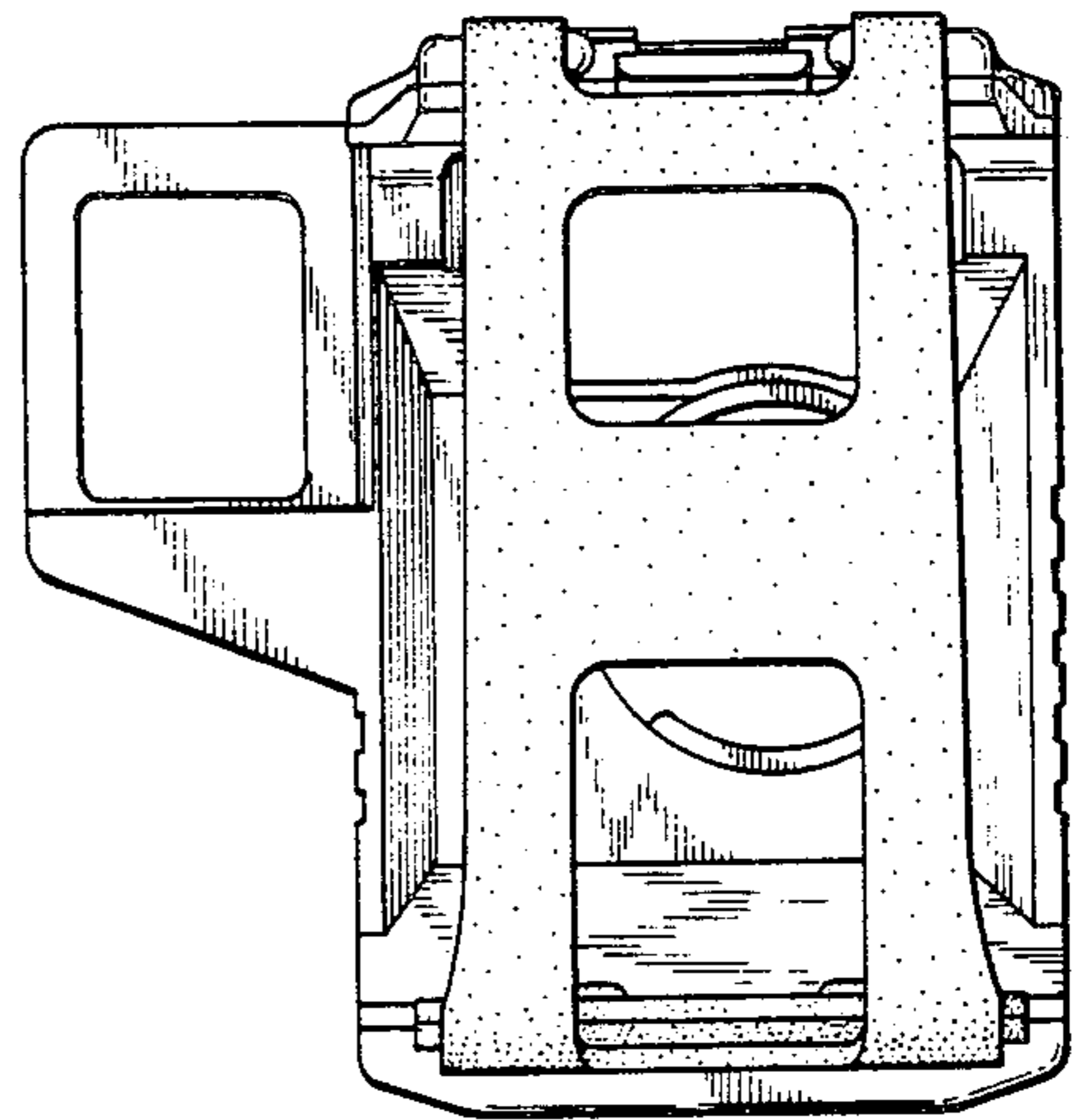


FIG. 3

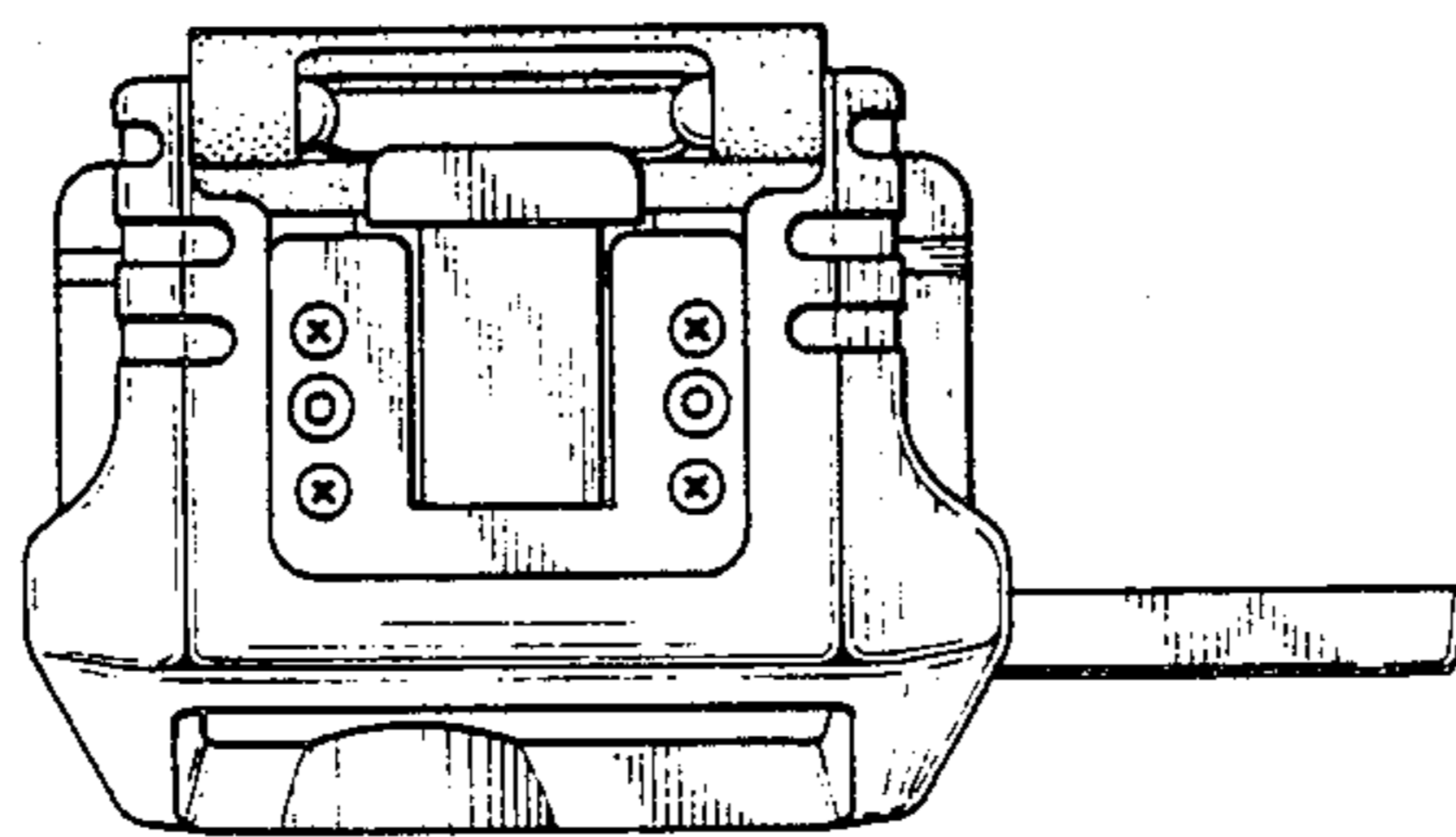


FIG. 4

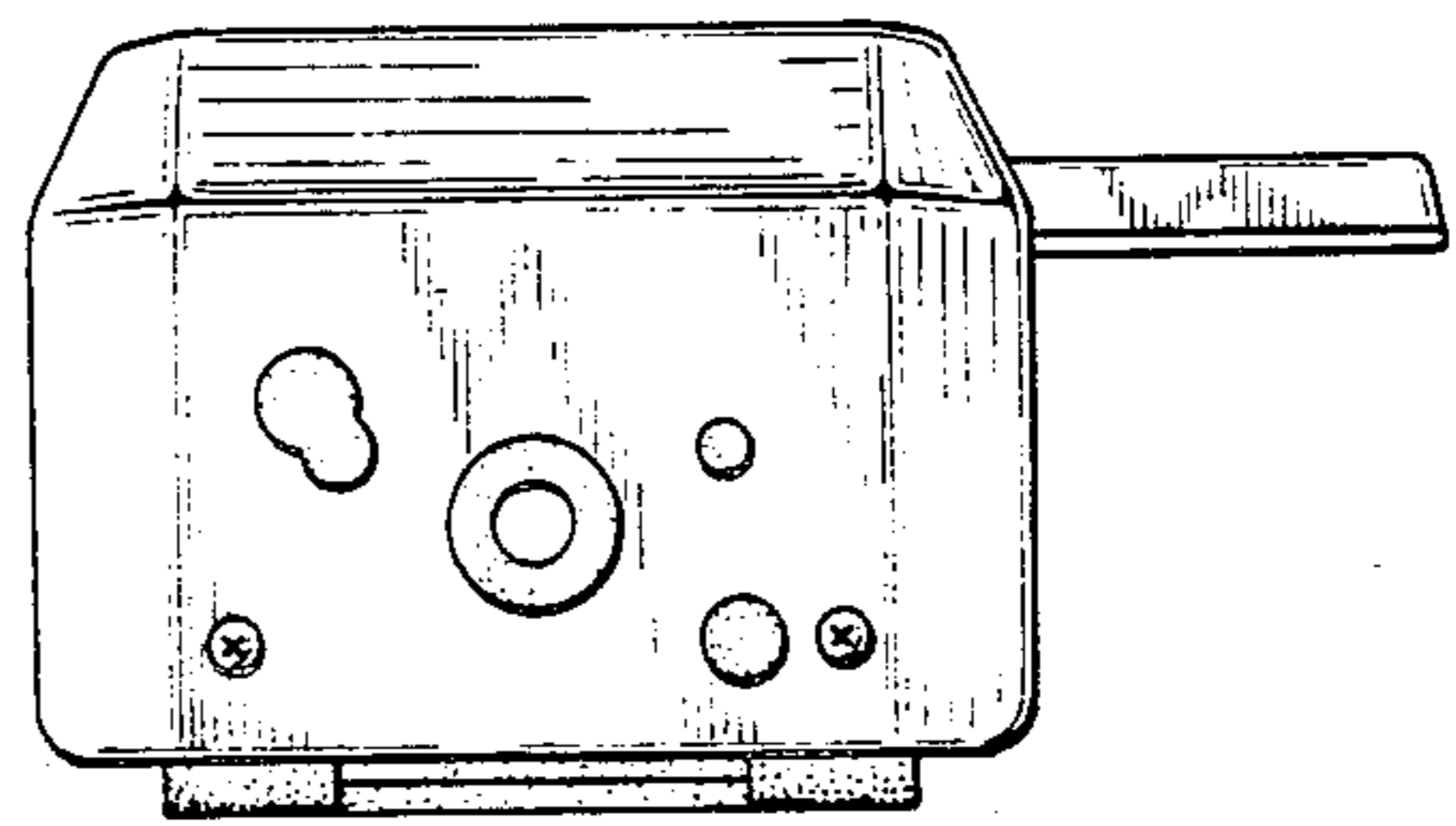


FIG. 5

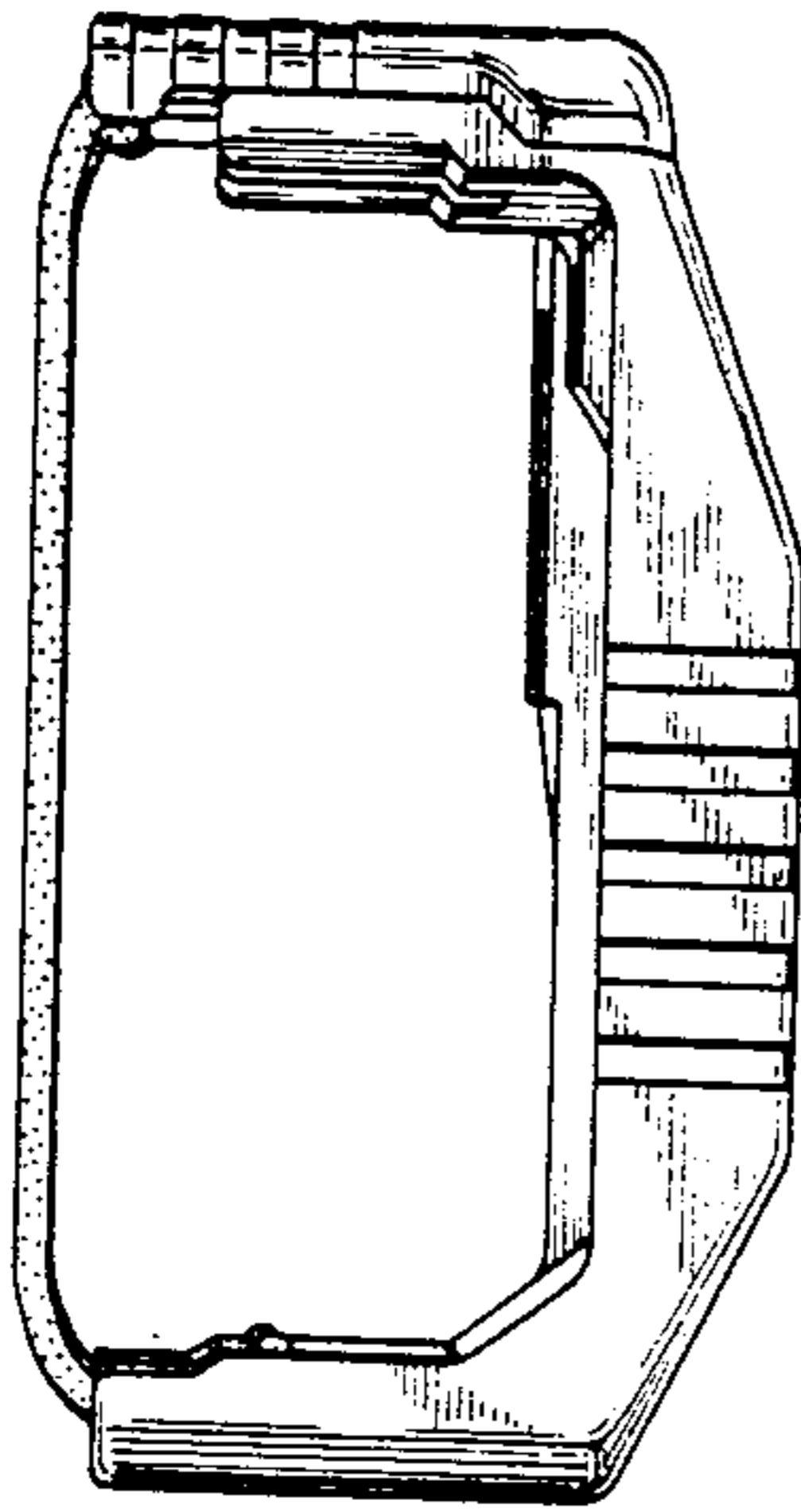


FIG. 6

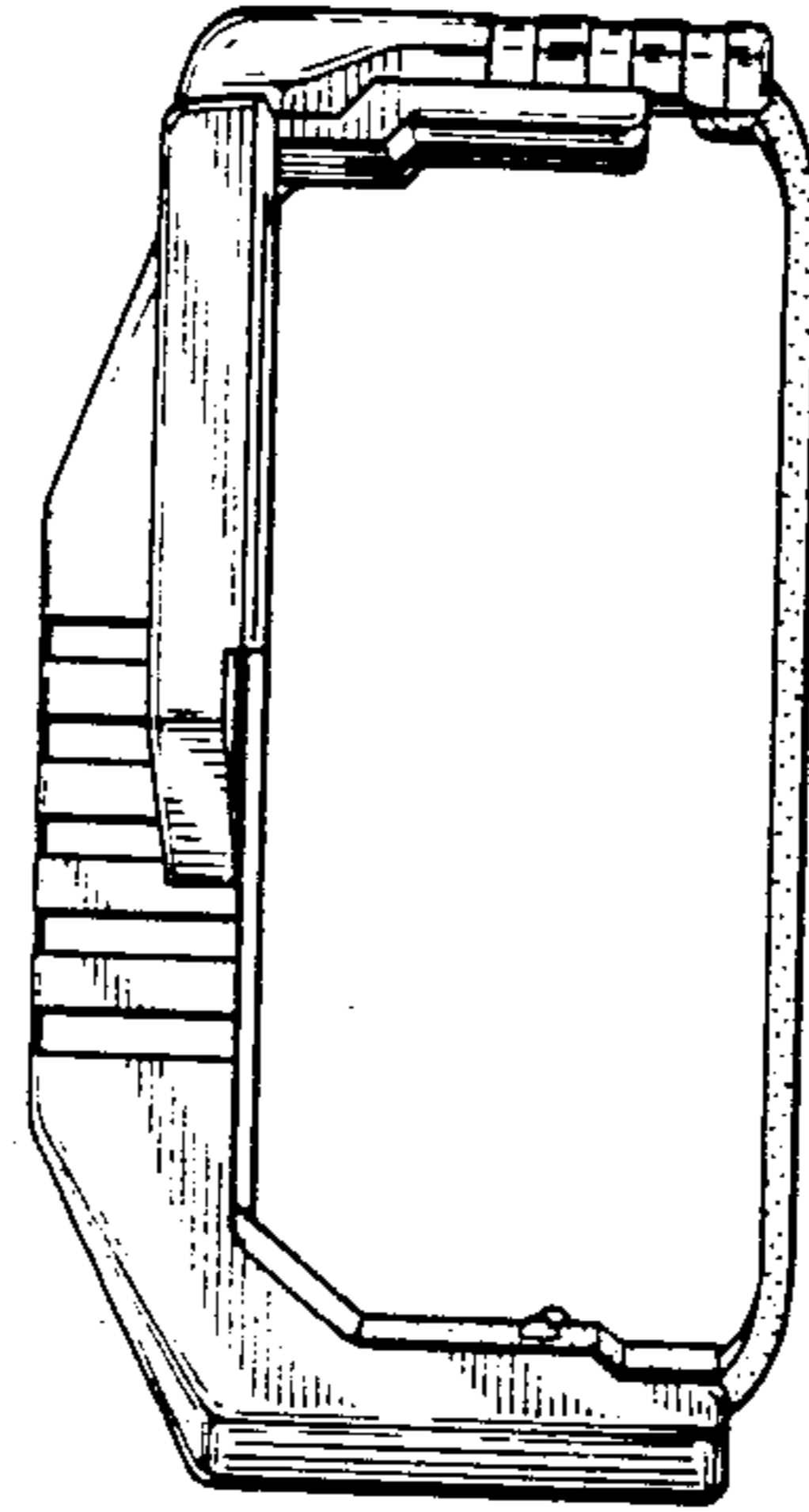


FIG. 7

