

United States Patent [19]

Whiffin

[11] Patent Number: **Des. 294,032**

[45] Date of Patent: **** Feb. 2, 1988**

[54] **FRONT END LOADER**

[75] Inventor: **Kenneth W. Whiffin, Mudgeeraba, Australia**

[73] Assignee: **Rig'l Universal Loaders Pty. Ltd., Queensland, Australia**

[**] Term: **14 Years**

[21] Appl. No.: **639,095**

[22] Filed: **Aug. 9, 1984**

[30] **Foreign Application Priority Data**

Feb. 10, 1984 [GB] United Kingdom 841017838

[52] U.S. Cl. **D15/25**

[58] Field of Search D15/10, 22, 23, 25;
414/680, 684, 722, 743

[56] **References Cited**

U.S. PATENT DOCUMENTS

D. 191,506 10/1961 Keller D15/25

D. 195,254 5/1963 Keller D15/25
D. 205,485 8/1966 Juhl D15/25
D. 231,482 4/1974 Bauer D15/25
D. 259,631 6/1981 Ramacciotti D15/25
D. 271,397 11/1983 Kahn et al. D15/25
D. 272,825 2/1984 Cochran et al. D15/23

Primary Examiner—B. J. Bullock

Attorney, Agent, or Firm—Larson and Taylor

[57] **CLAIM**

The ornamental design for a front end loader, as shown and described.

DESCRIPTION

FIG. 1 is a perspective view of a front end loader showing my new design;

FIG. 2 is an enlarged side elevational view taken from the left of FIG. 1;

FIG. 3 is an enlarged rear elevational view thereof;

FIG. 4 is an enlarged bottom plan view thereof;

FIG. 5 is an enlarged top plan view thereof;

FIG. 6 is an enlarged front elevational view thereof.

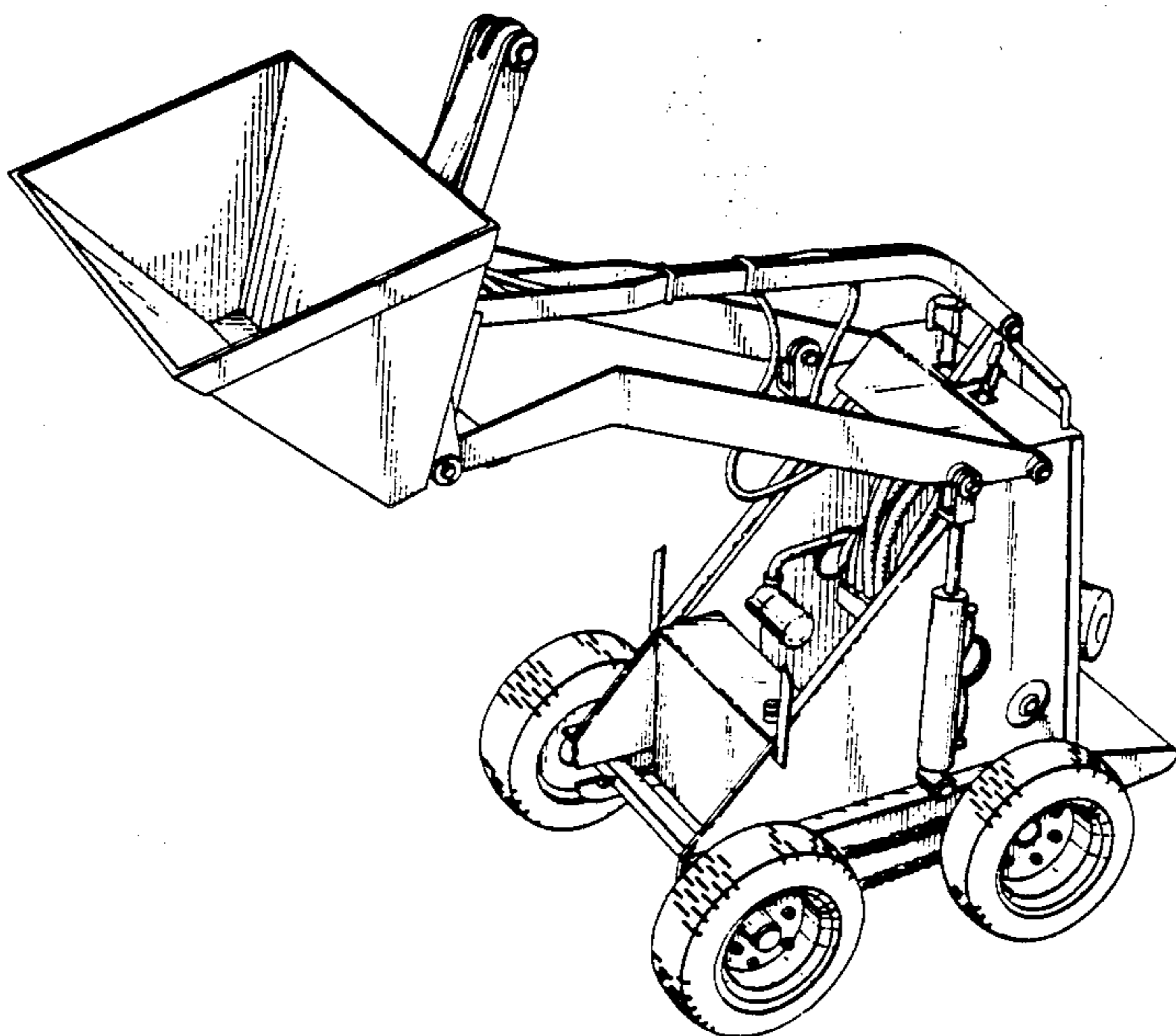


Fig. 1.

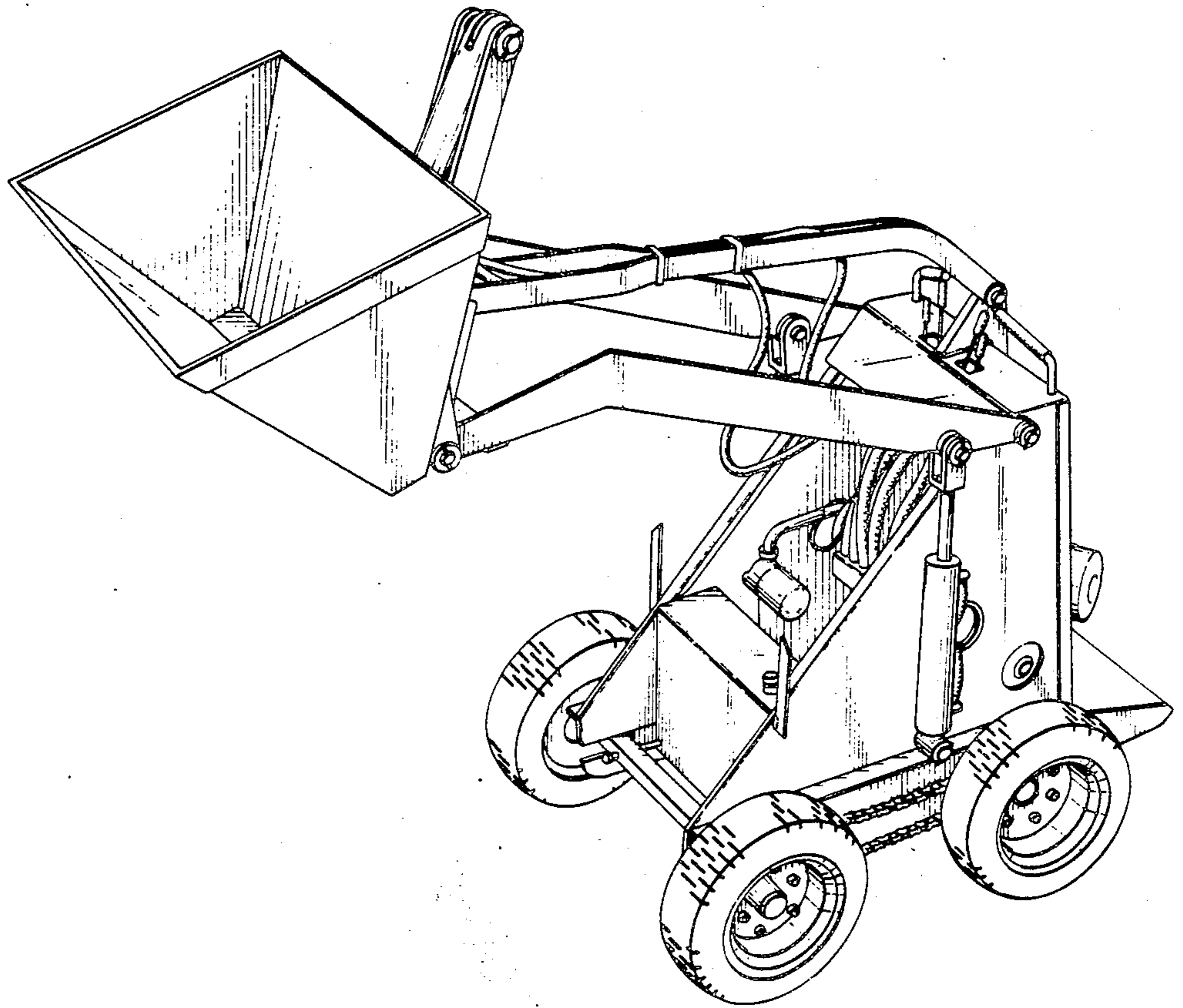


Fig. 2.

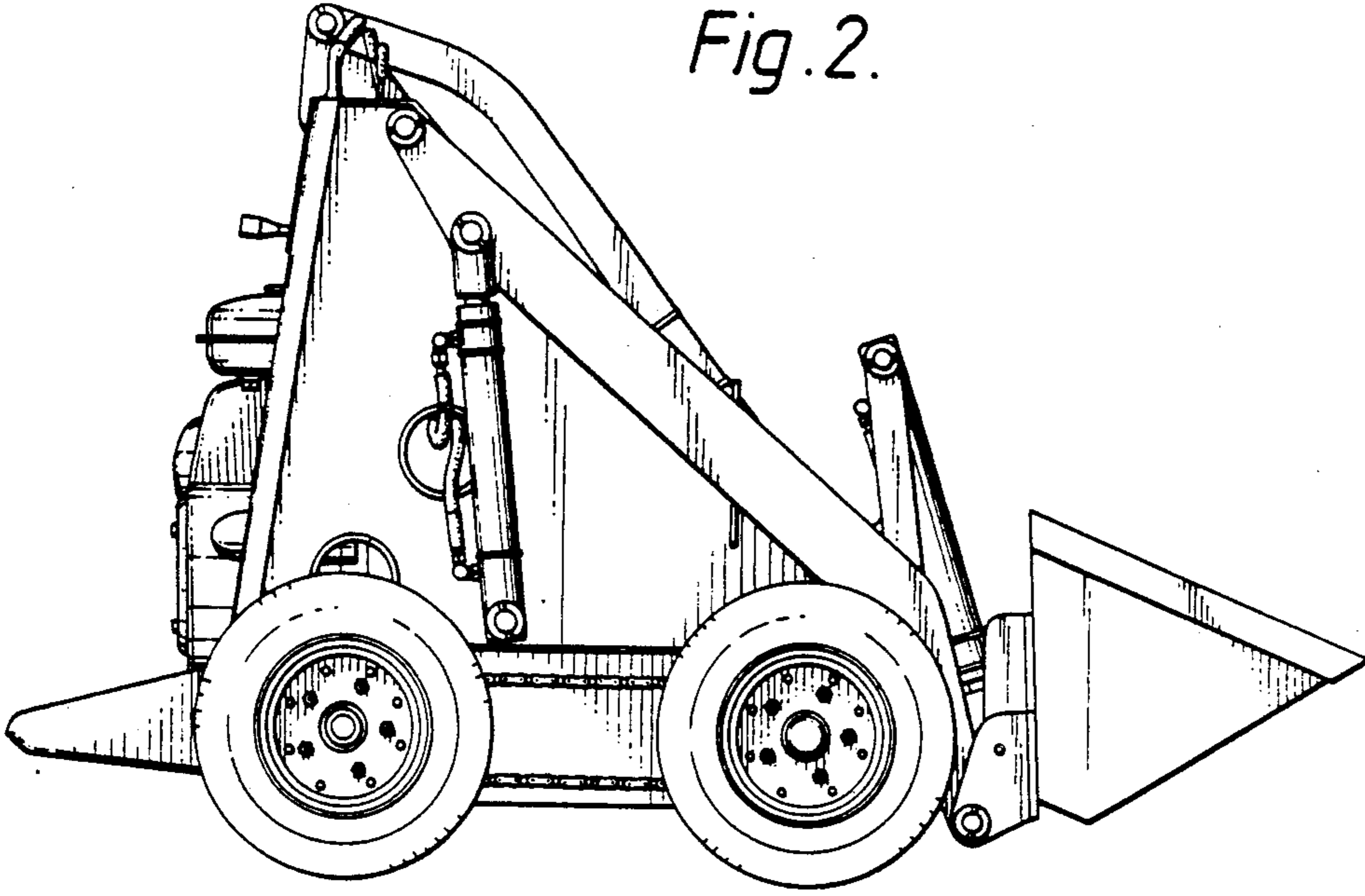


Fig. 3.

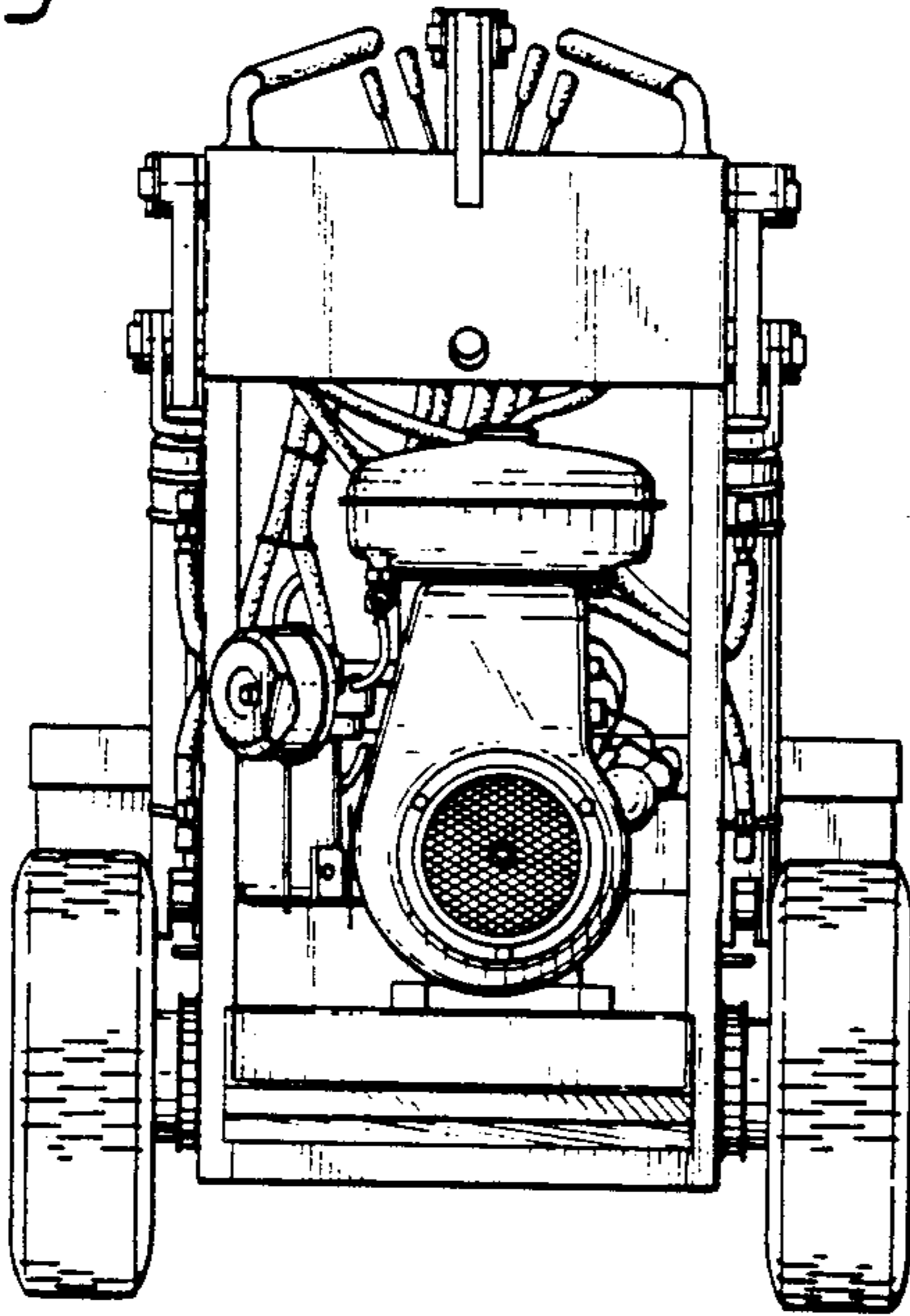


Fig. 4.

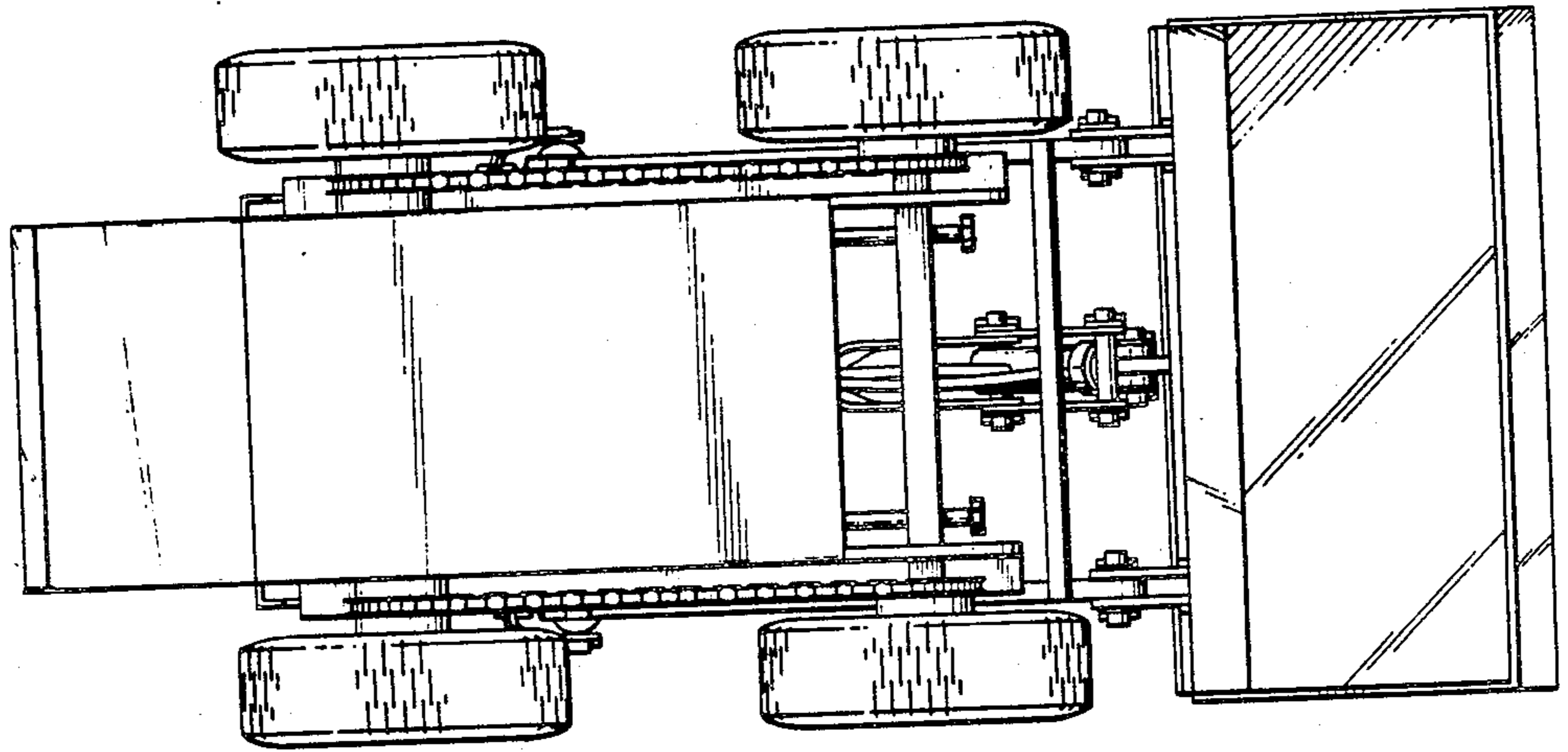


Fig. 5.

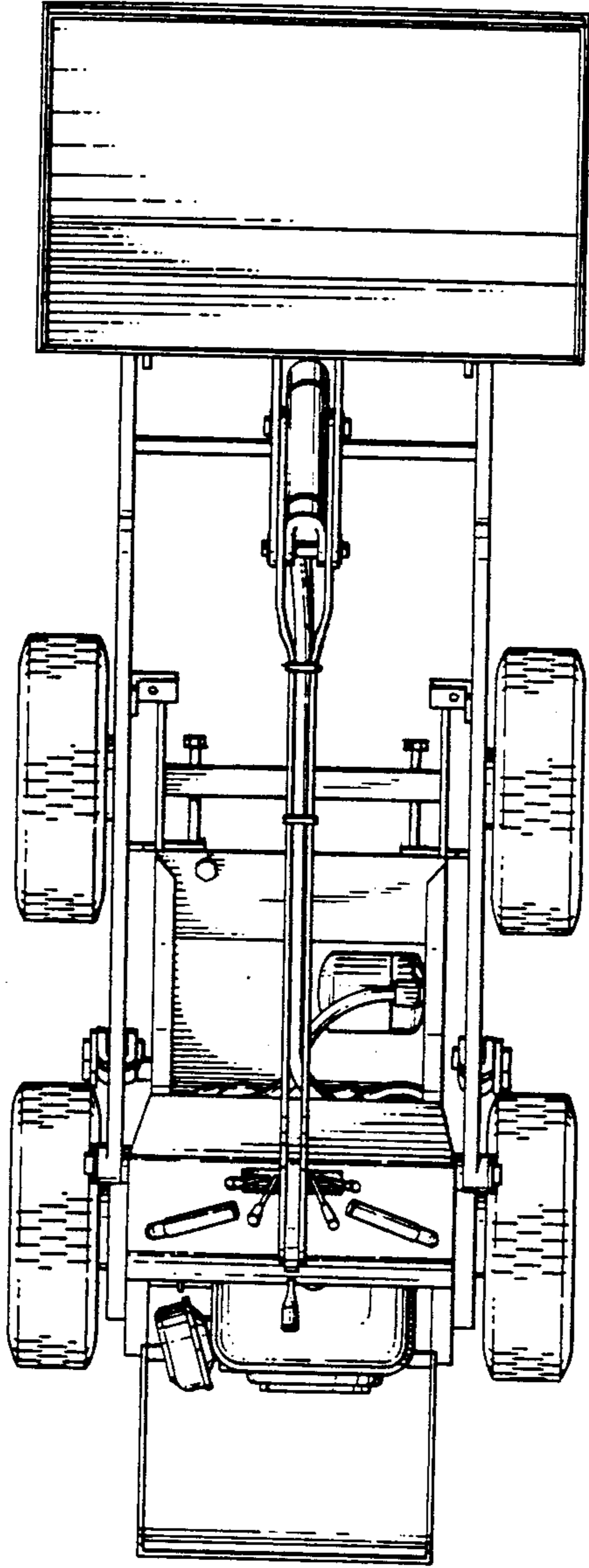


Fig. 6.

