

[54] LAWN MOWER

[75] Inventor: Masashi Hosonuma, Tokyo, Japan

[73] Assignee: Honda Giken Kogyo Kabushiki Kaisha, Tokyo, Japan

[**] Term: 14 Years

[21] Appl. No.: 711,976

[22] Filed: Mar. 14, 1985

[30] Foreign Application Priority Data

Sep. 19, 1984 [JP] Japan 59-38964

[52] U.S. Cl. D15/14

[58] Field of Search D15/14, 17-18; 56/202, 206, 16.6, 13.4

[56] References Cited

U.S. PATENT DOCUMENTS

D. 249,519	9/1978	Haffner et al.	D15/14
D. 255,573	6/1980	Cox et al.	D15/14
D. 276,047	10/1984	Sasaki	D15/14
4,149,358	4/1979	Comer	56/13.4
4,149,362	4/1979	Haffner et al.	56/16.6
4,566,257	1/1986	Akrabawi	56/320.2

OTHER PUBLICATIONS

Toro, "The Grassmaster Model 20673", brochure p. 1.

Primary Examiner—Wallace R. Burke

Assistant Examiner—Ruth Takemoto

Attorney, Agent, or Firm—Irving M. Weiner; Joseph P. Carrier; Pamela S. Burt

[57] CLAIM

The ornamental design for a lawn mower, as shown and described.

DESCRIPTION

FIG. 1 is a perspective view of a lawn mower showing my new design;

FIG. 2 is a front elevational view thereof;

FIG. 3 is a rear elevational view thereof;

FIG. 4 is a right side elevational view thereof;

FIG. 5 is a left side elevational view thereof;

FIG. 6 is a top plan view thereof; and

FIG. 7 is a bottom plan view thereof.

The pattern which is fragmentarily shown in FIGS. 1-7 is understood to repeat uniformly throughout the indicated area.

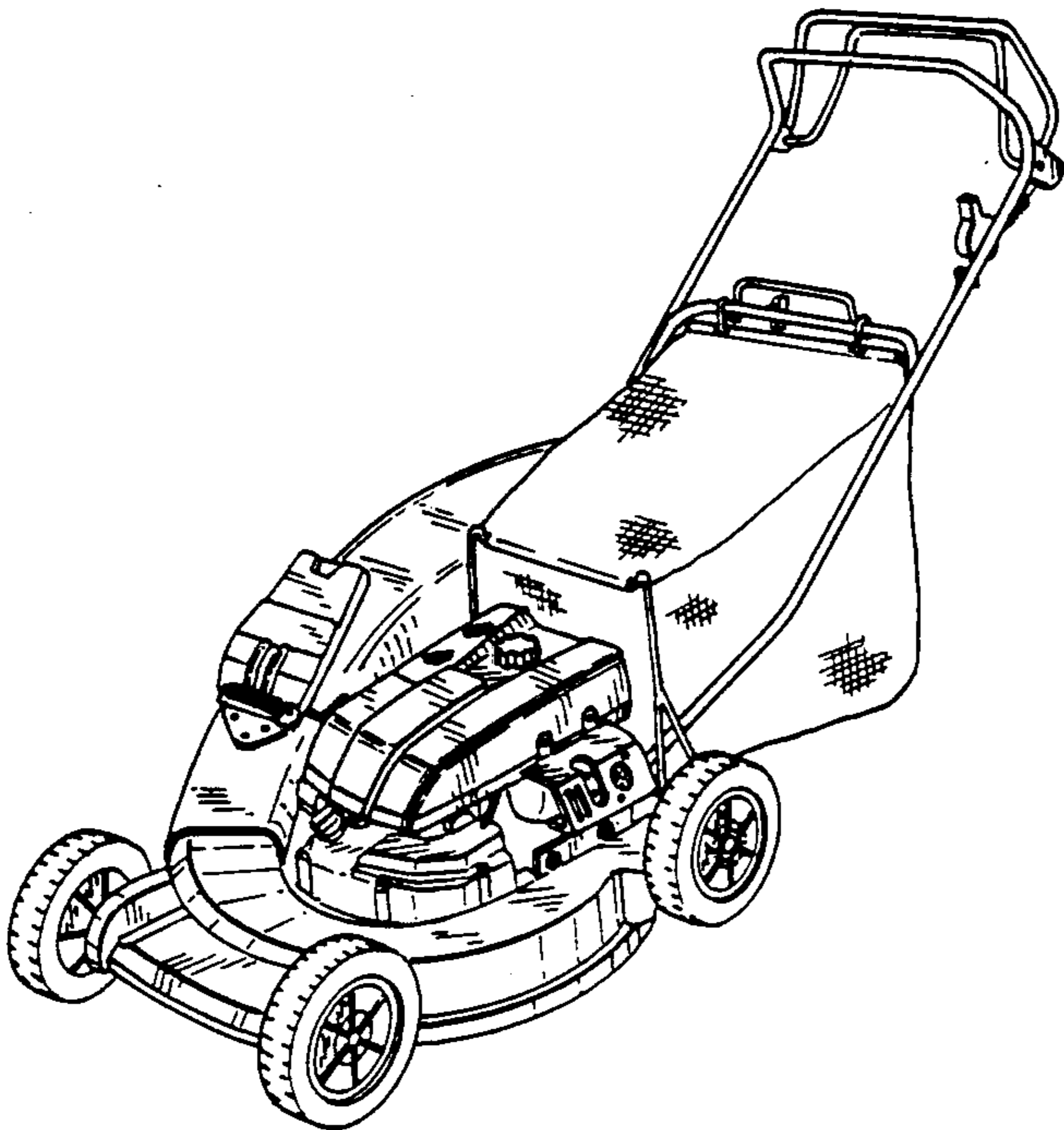


FIG. 1

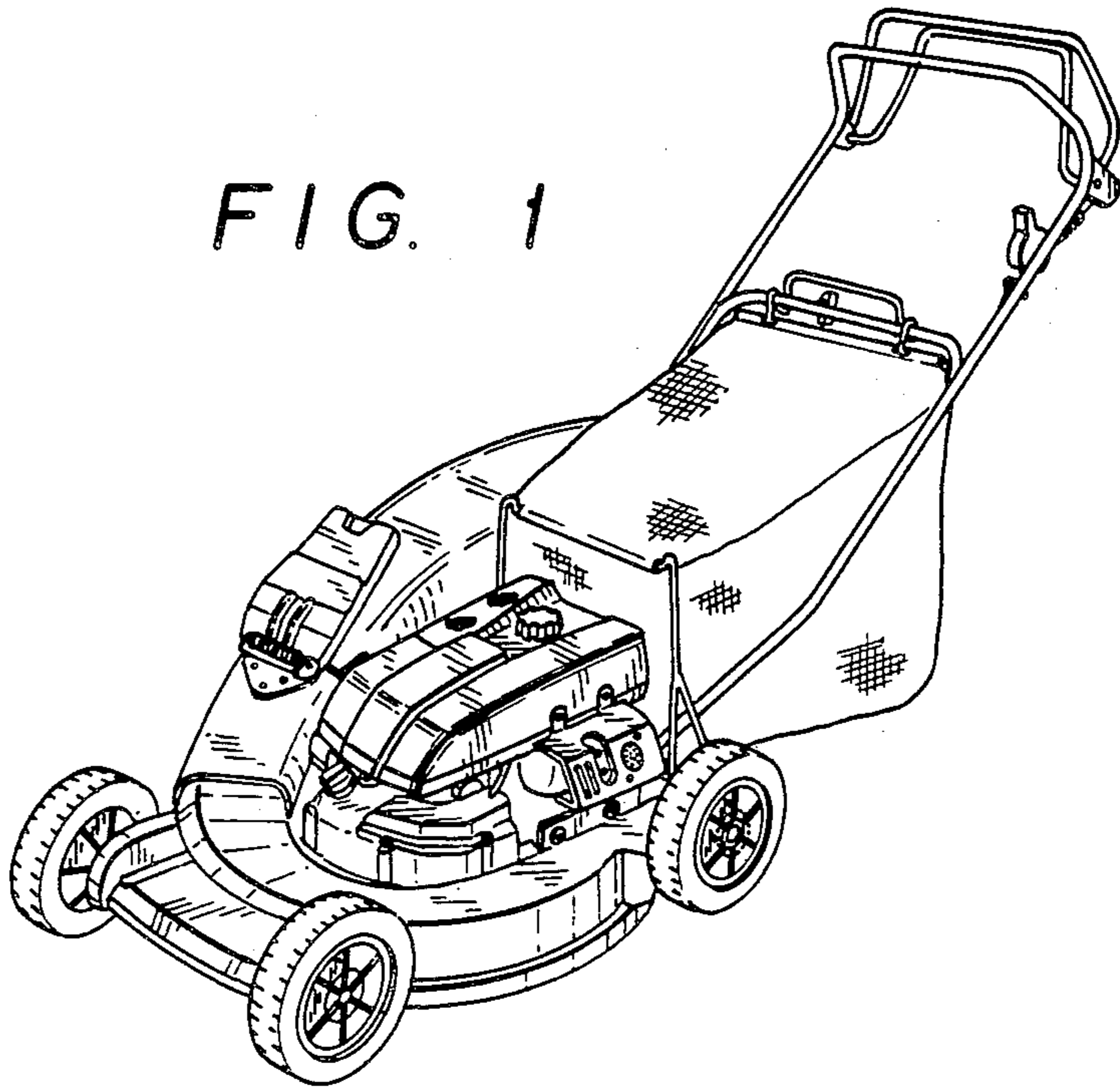


FIG. 2

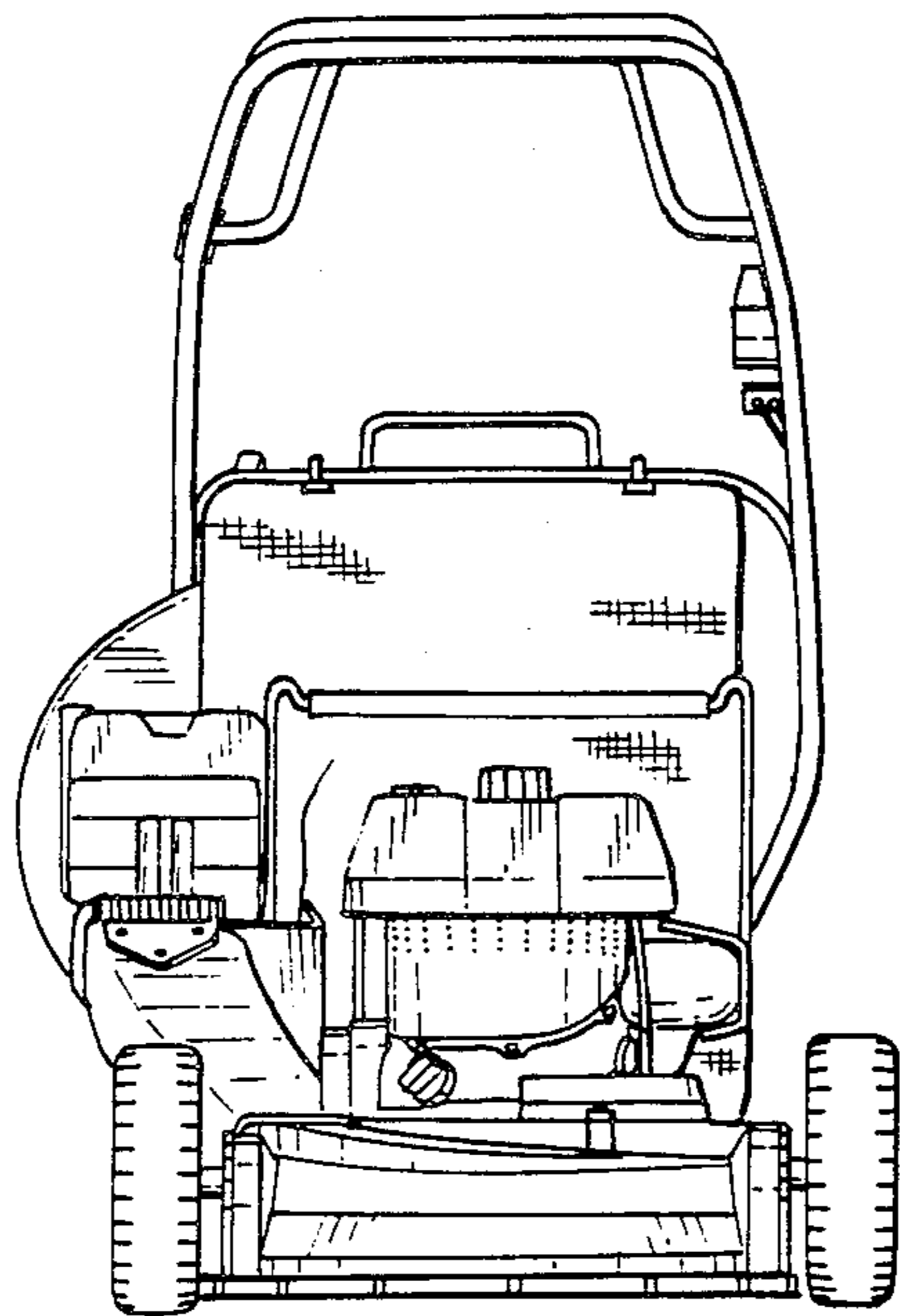


FIG. 3

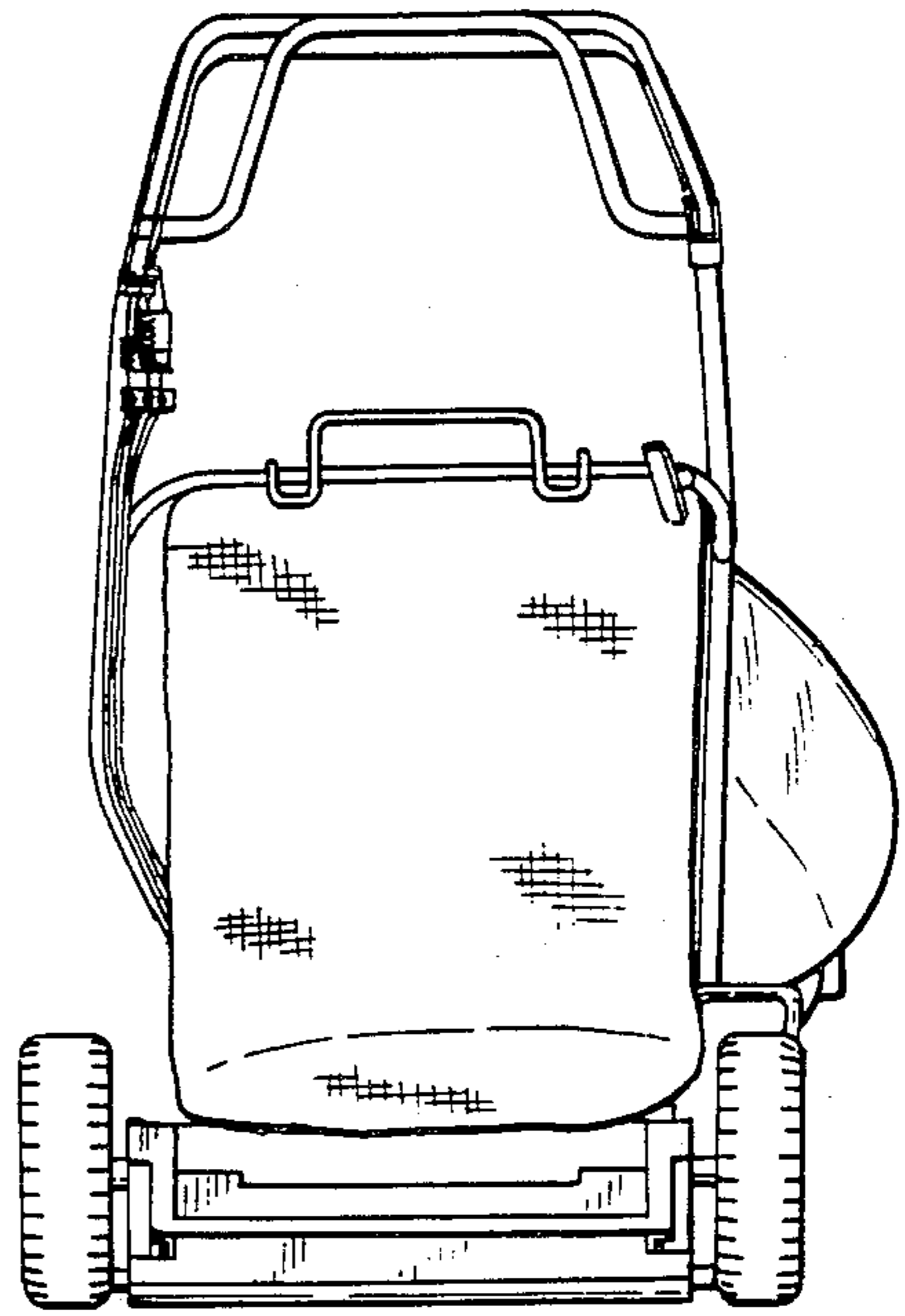


FIG. 4

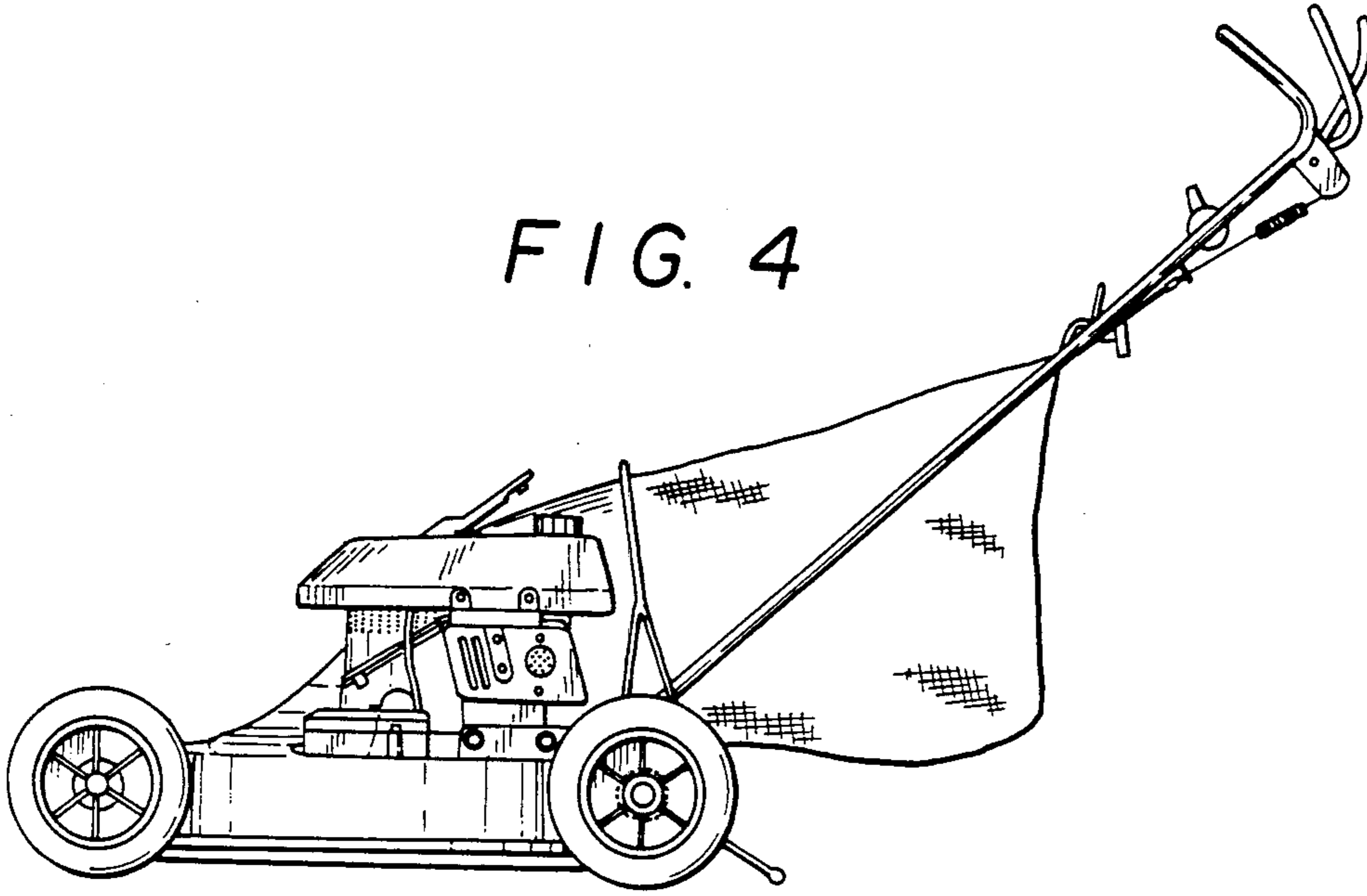


FIG. 5

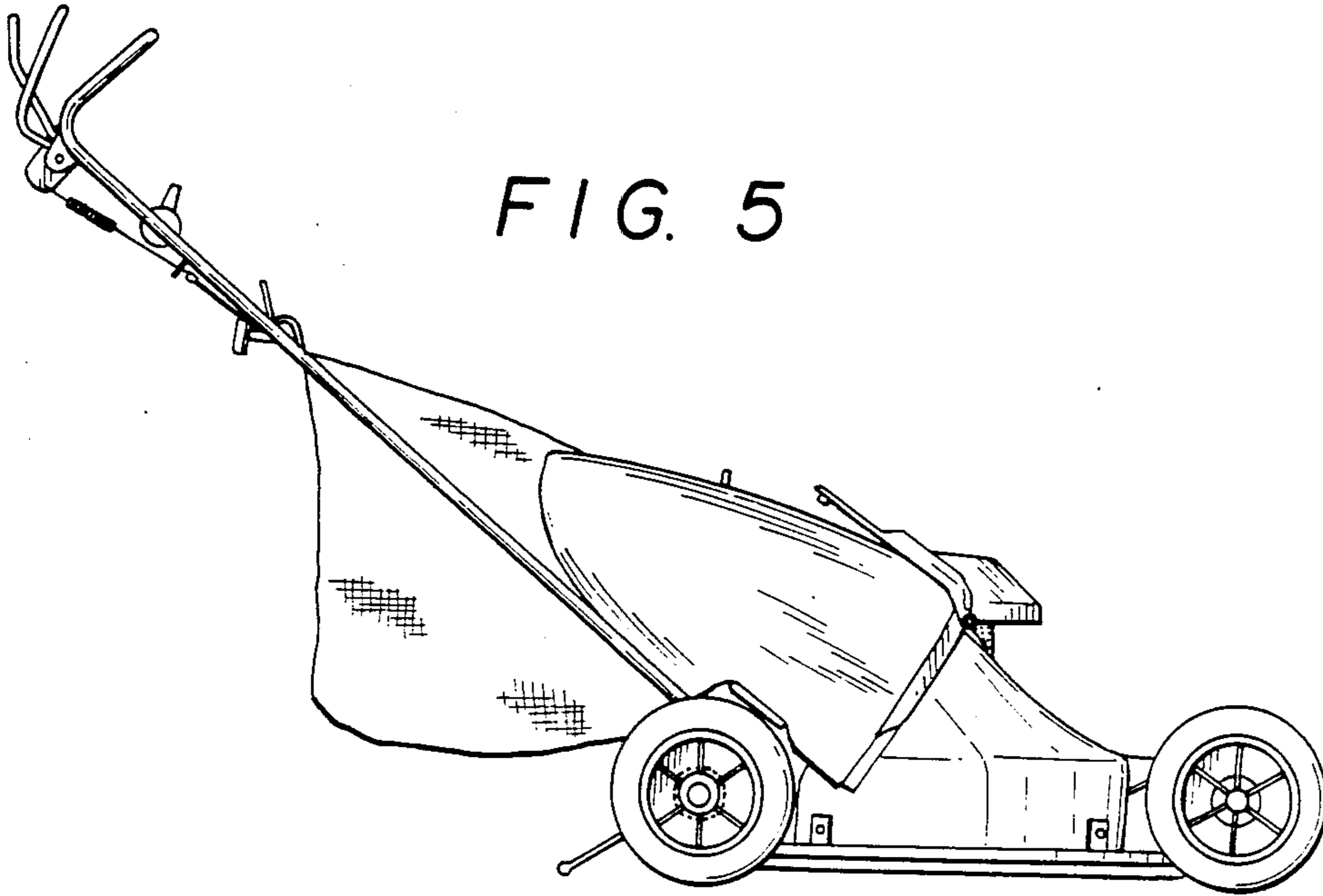


FIG. 6

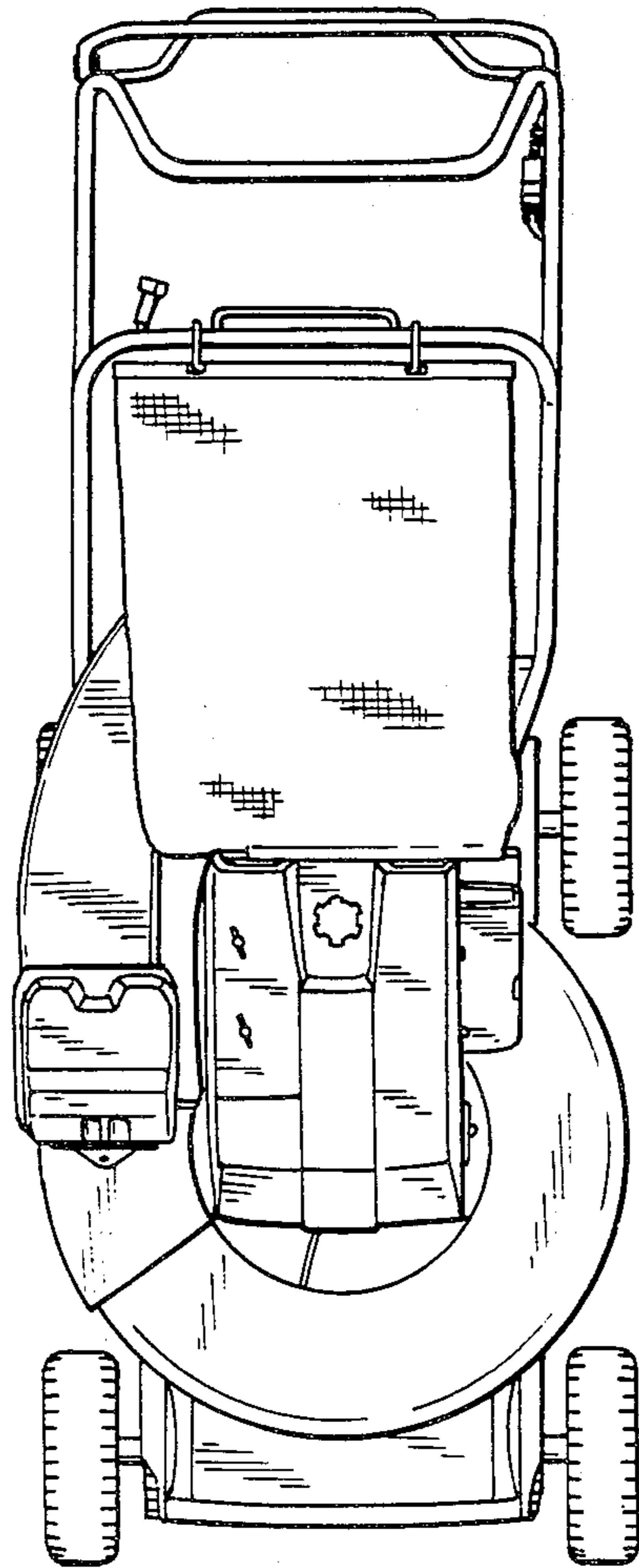


FIG. 7

