

[54] **POWER ANTENNA**

[75] **Inventor: Masaki Shinkawa, Kanagawa, Japan**

[73] **Assignee: Harada Kogyo Kabushiki Kaisha,
Tokyo, Japan**

[**] **Term: 14 Years**

[21] **Appl. No.: 711,764**

[22] **Filed: Mar. 14, 1985**

[52] **U.S. Cl. D14/86**

[58] **Field of Search D14/86-91,
D14/99; 343/900, 901, 902, 903, 882, 715**

[56] **References Cited**

U.S. PATENT DOCUMENTS

D. 223,603	5/1972	Takagi et al.	D14/86
3,253,799	5/1966	Till	343/903 X
4,323,902	4/1982	Hussey et al.	343/901 X
4,527,168	7/1985	Edwards	343/901

OTHER PUBLICATIONS

Radio Shack, 1984 Catalog, p. 63, top right, AM/FM Power Antenna.

Primary Examiner—Bernard Ansher

Assistant Examiner—Theodore M. Shooman

Attorney, Agent, or Firm—Koda and Androlia

[57] **CLAIM**

The ornamental design for a power antenna, as shown and described.

DESCRIPTION

FIG. 1 is a front elevational view of a power antenna showing my new design;

FIG. 2 is a right side elevational view thereof;

FIG. 3 is a rear elevational view thereof;

FIG. 4 is a top plan view thereof;

FIG. 5 is a bottom plan view thereof;

FIG. 6 is a left side elevational view thereof; and

FIG. 7 is a top, rear and right side perspective view thereof, shown with the antenna portion in the raised position.

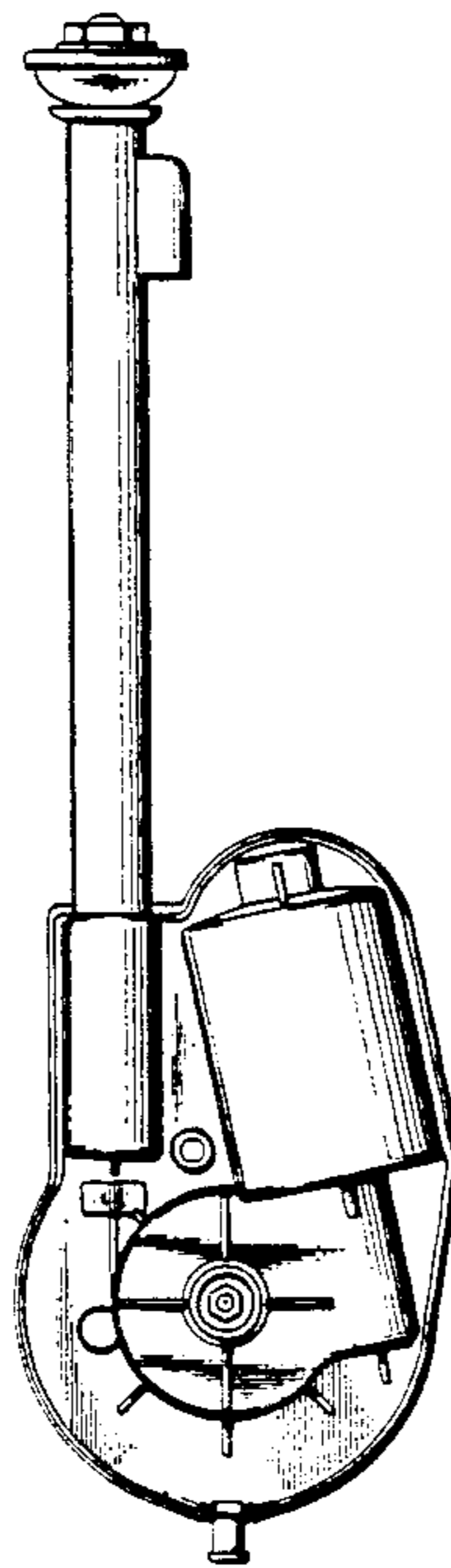


FIG. 1

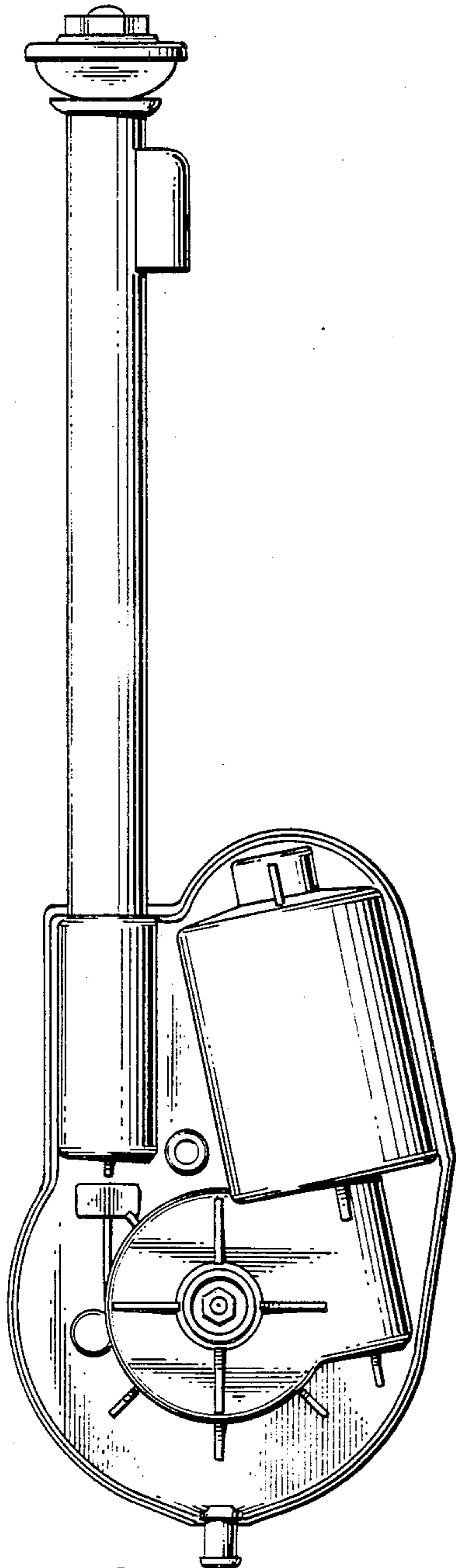


FIG. 2

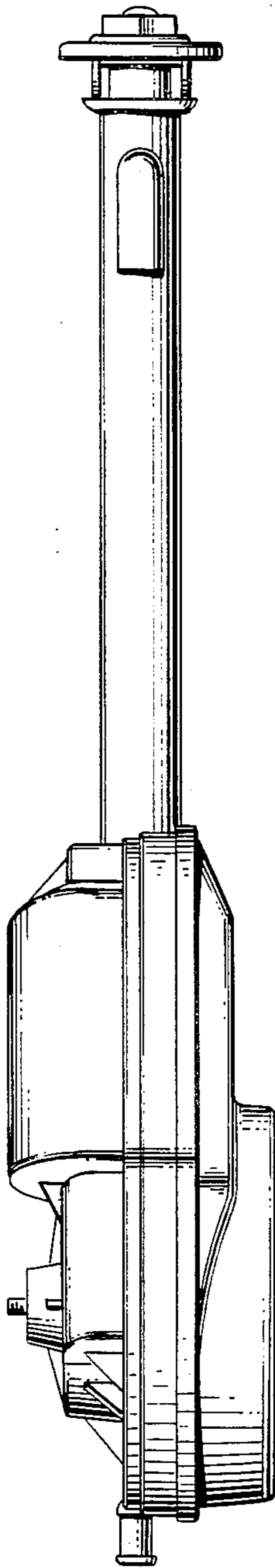


FIG. 3

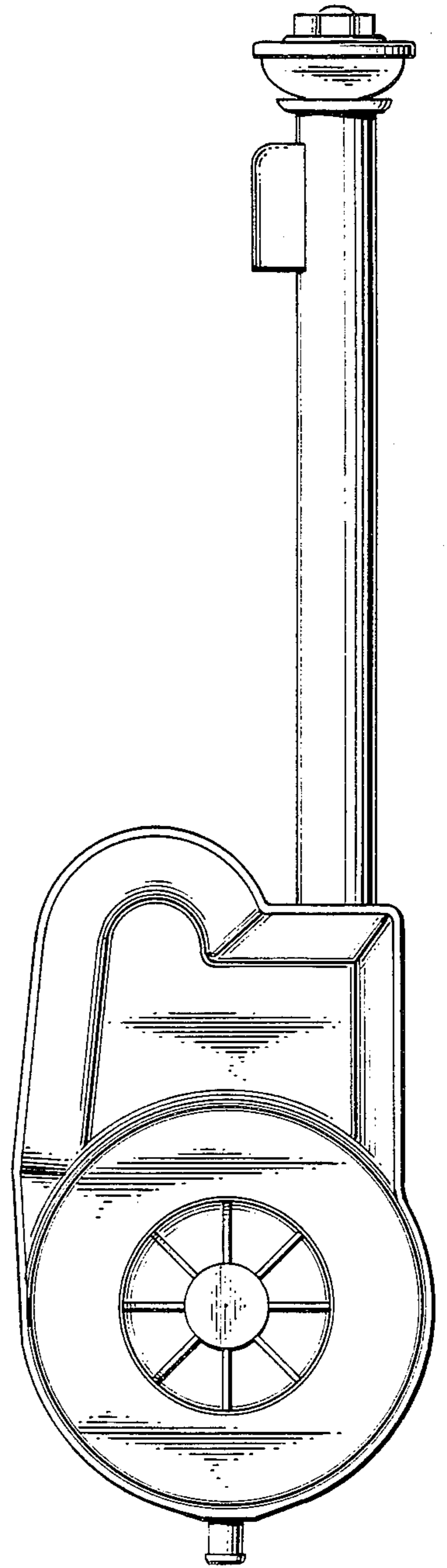


FIG. 4

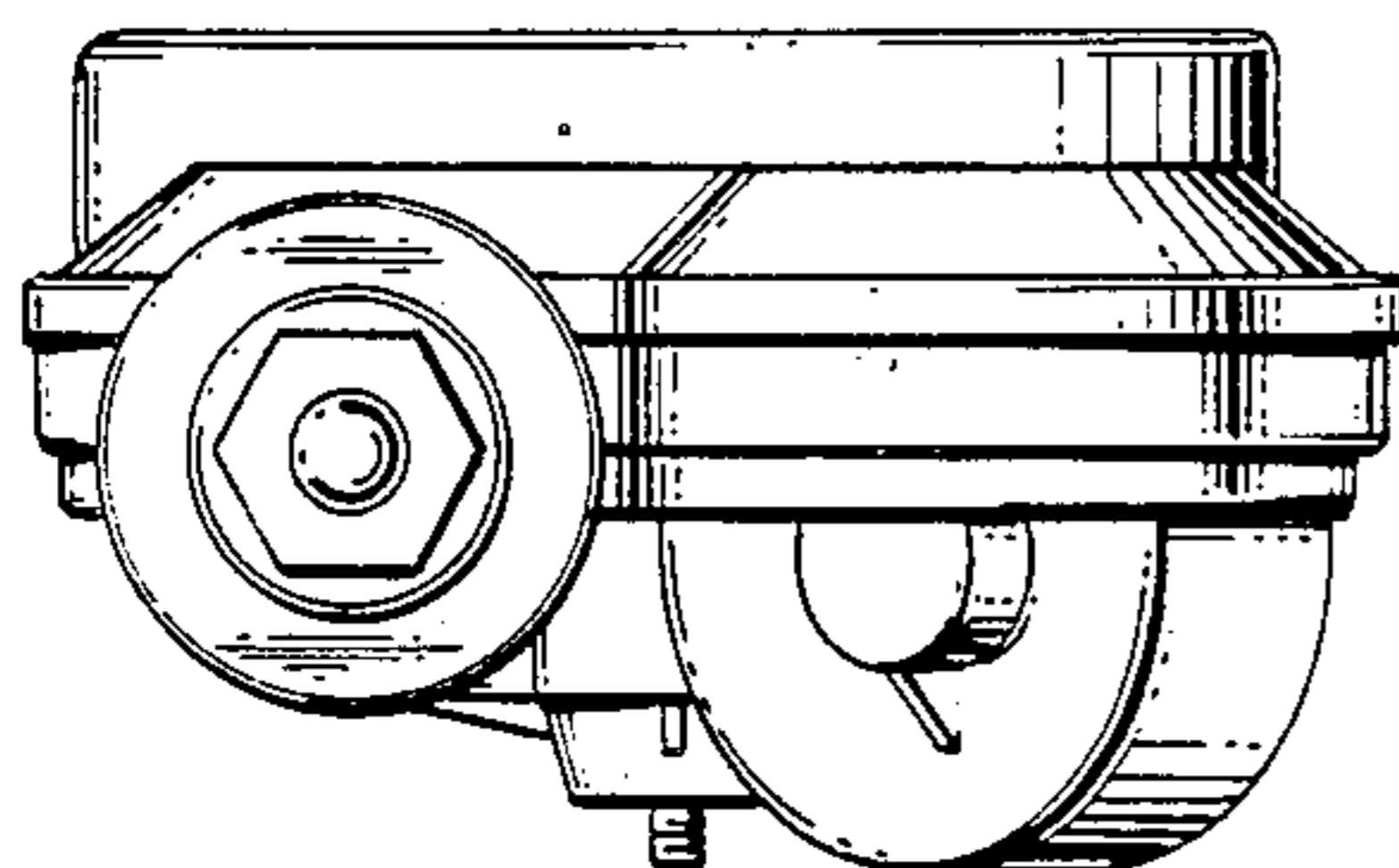
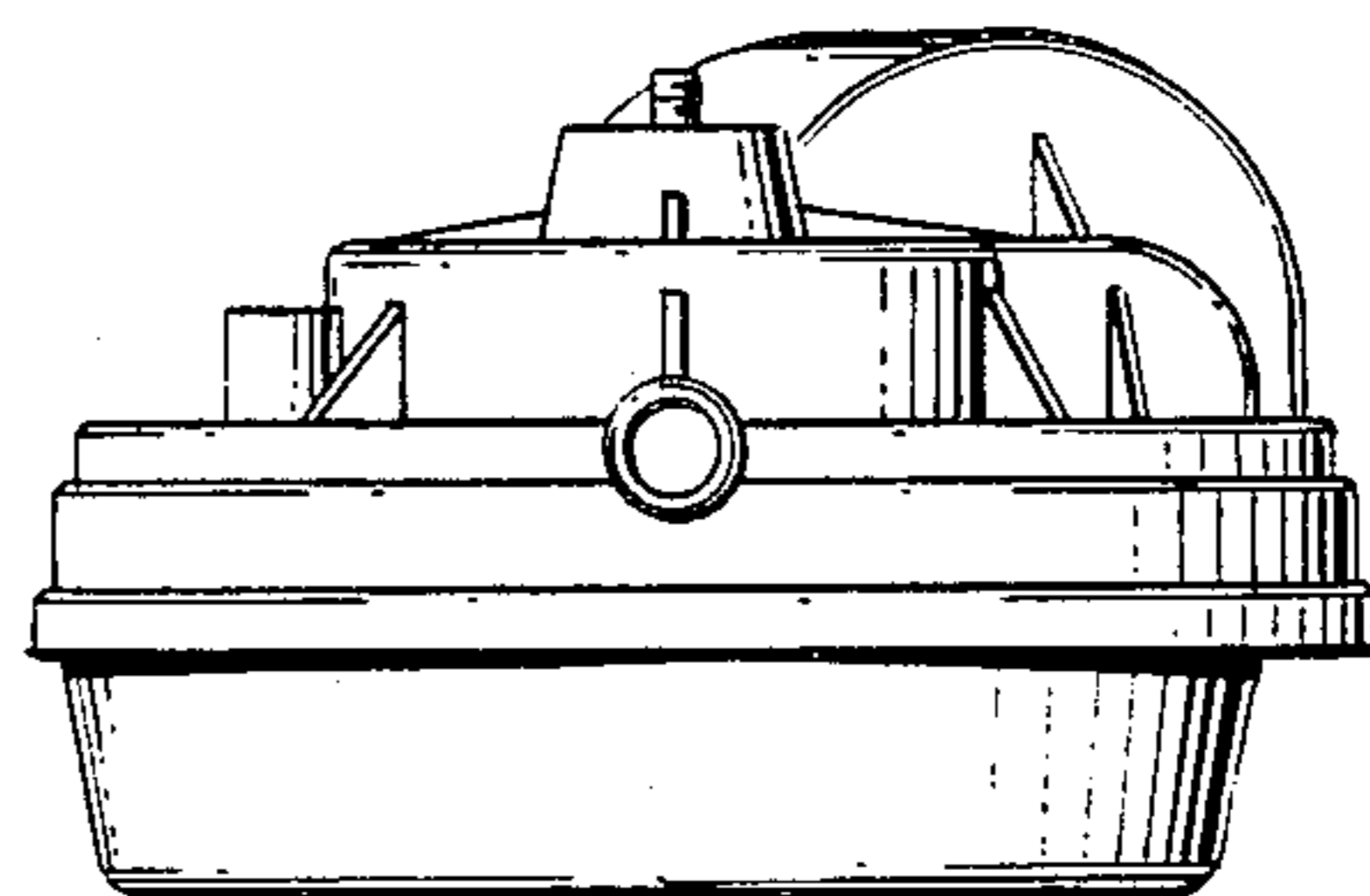


FIG. 5



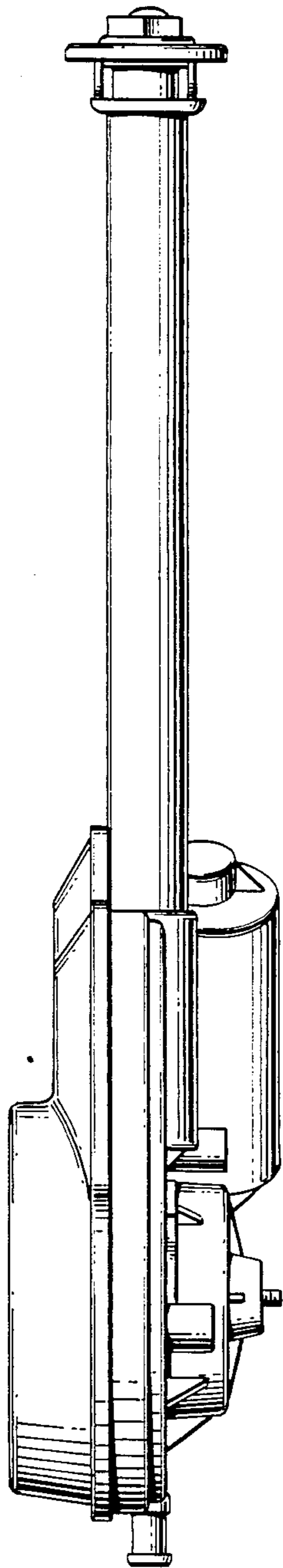


FIG. 6

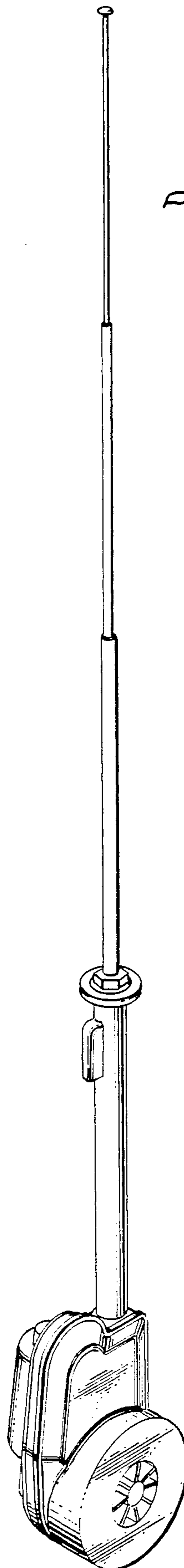


FIG. 7