

[54] CARTRIDGE FOR GAME MACHINE

[75] Inventor: Masayuki Yukawa, Kyoto, Japan

[73] Assignee: Nintendo Co., Ltd., Kyoto, Japan

[**] Term: 14 Years

[21] Appl. No.: 785,226

[22] Filed: Oct. 7, 1985

[52] U.S. Cl. D14/11; D14/114

[58] Field of Search D14/1, 10, 11, 99, 114;
D3/35; 360/132; 206/387; 273/DIG. 28;
D21/13, 48

[56] References Cited

U.S. PATENT DOCUMENTS

- D. 257,345 10/1980 Levy D14/11
- D. 261,644 11/1981 McKinsey et al. D14/11
- D. 263,222 3/1982 Driscoll D14/11
- D. 267,714 1/1983 Tajima et al. D14/11
- D. 269,087 5/1983 Nishi D14/11
- D. 271,688 12/1983 Tajima et al. D14/11
- D. 271,777 12/1983 Schlagheck et al. D14/11 X
- D. 274,905 7/1984 Rainey et al. D14/10 X

OTHER PUBLICATIONS

Hong Kong Enterprise, 4/84, p. 104, bottom of page--
Floppy Disk Controller.

Primary Examiner—Bernard Ansher
Assistant Examiner—Theodore M. Shooman
Attorney, Agent, or Firm—Larry A. Jackson

[57] CLAIM

The ornamental design for a cartridge for game machine, as shown and described.

DESCRIPTION

FIG. 1 is a top, front and right side perspective view of a cartridge for a game machine showing my new design; FIG. 2 is a bottom, rear and right side perspective view thereof;

FIG. 3 is a rear elevational view thereof;

FIG. 4 is a top plan view thereof;

FIG. 5 is a front elevational view thereof;

FIG. 6 is a right side elevational view thereof, the left side being a mirror image;

FIG. 7 is a bottom plan view thereof;

FIG. 8 is a sectional view thereof, taken along line 8—8 of FIG. 4;

FIG. 9 is a top, front and left side perspective view of a second embodiment of the cartridge illustrated in FIG. 1;

FIG. 10 is a bottom, rear and right side perspective view of the embodiment disclosed in FIG. 9;

FIG. 11 is a rear elevational view of the embodiment disclosed in FIG. 9;

FIG. 12 is a top plan view of the embodiment disclosed in FIG. 9;

FIG. 13 is a front elevational view of the embodiment disclosed in FIG. 9;

FIG. 14 is a right side elevational view of the embodiment disclosed in FIG. 9, the left side being a mirror image;

FIG. 15 is a bottom plan view of the embodiment disclosed in FIG. 9; and

FIG. 16 is a sectional view of the embodiment disclosed in FIG. 9, taken along line 16—16 of FIG. 12.

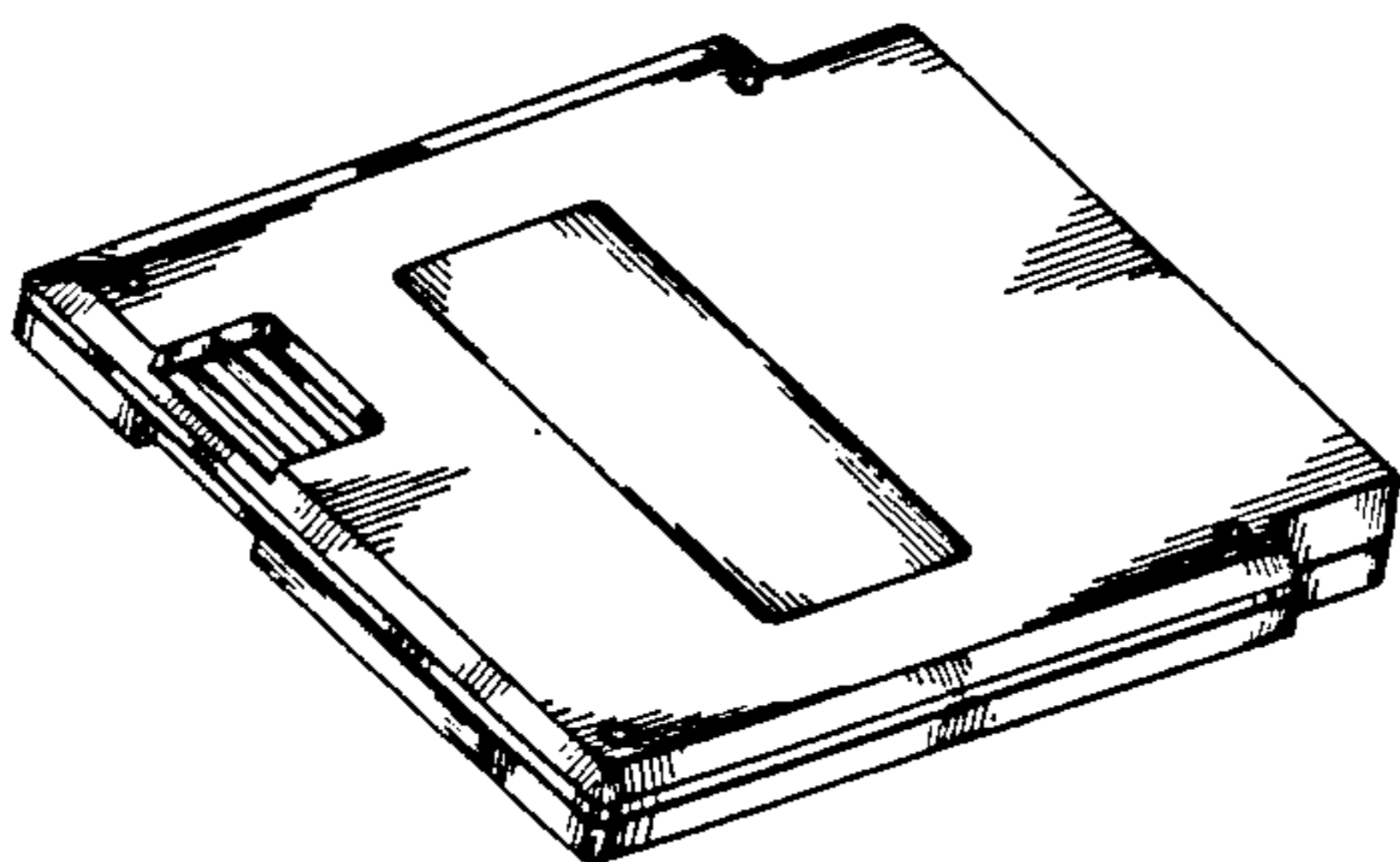
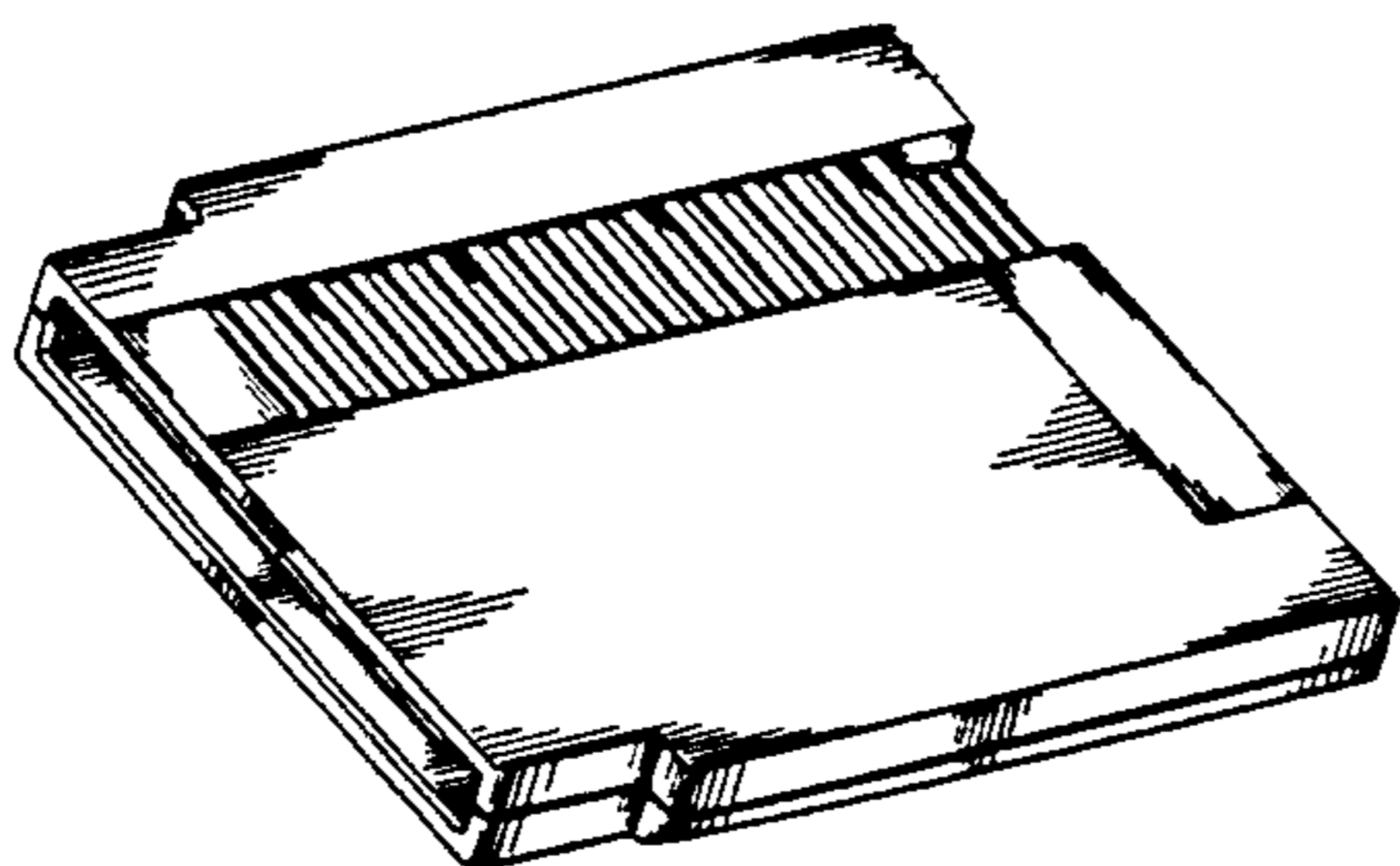


FIG. 1

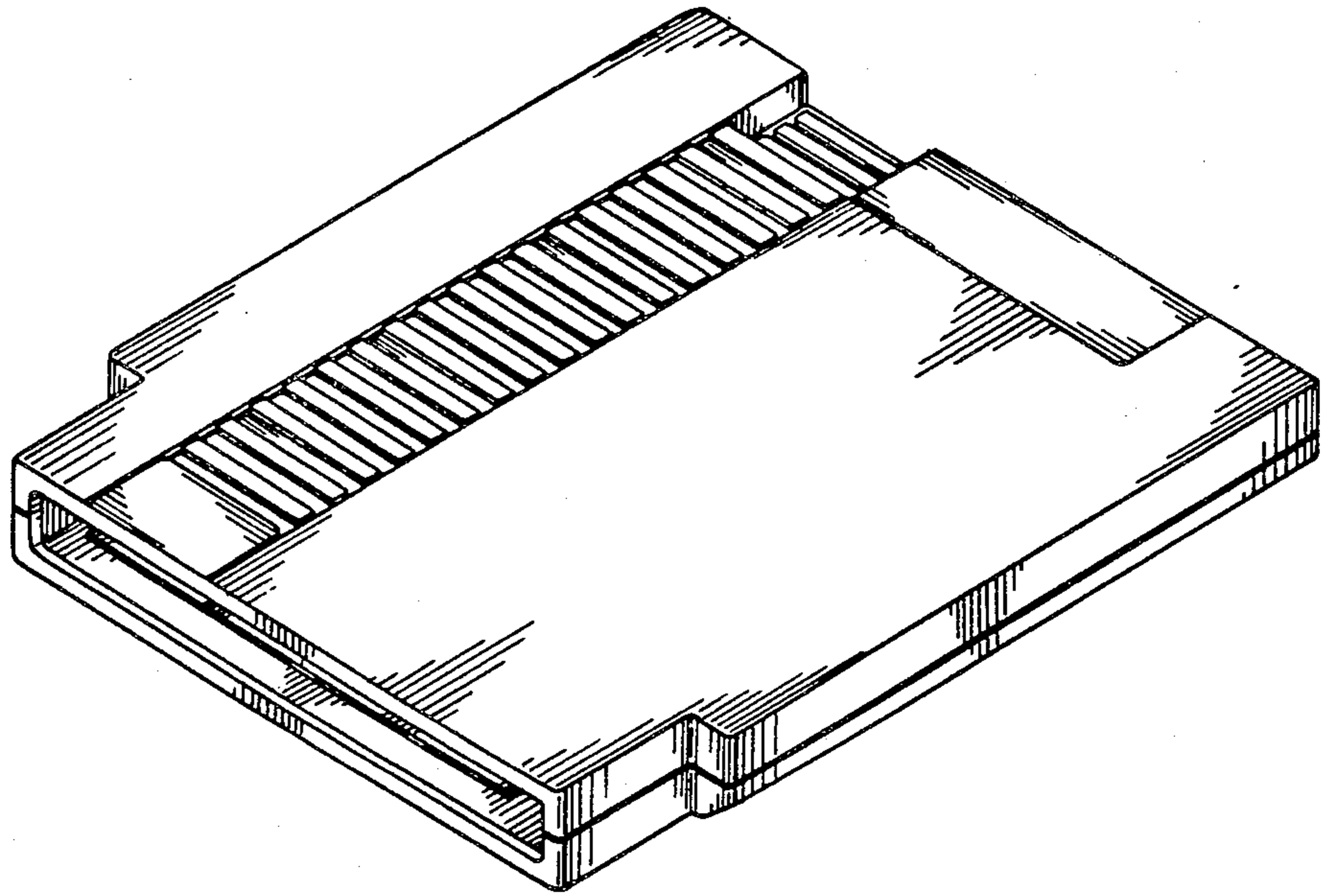


FIG. 2

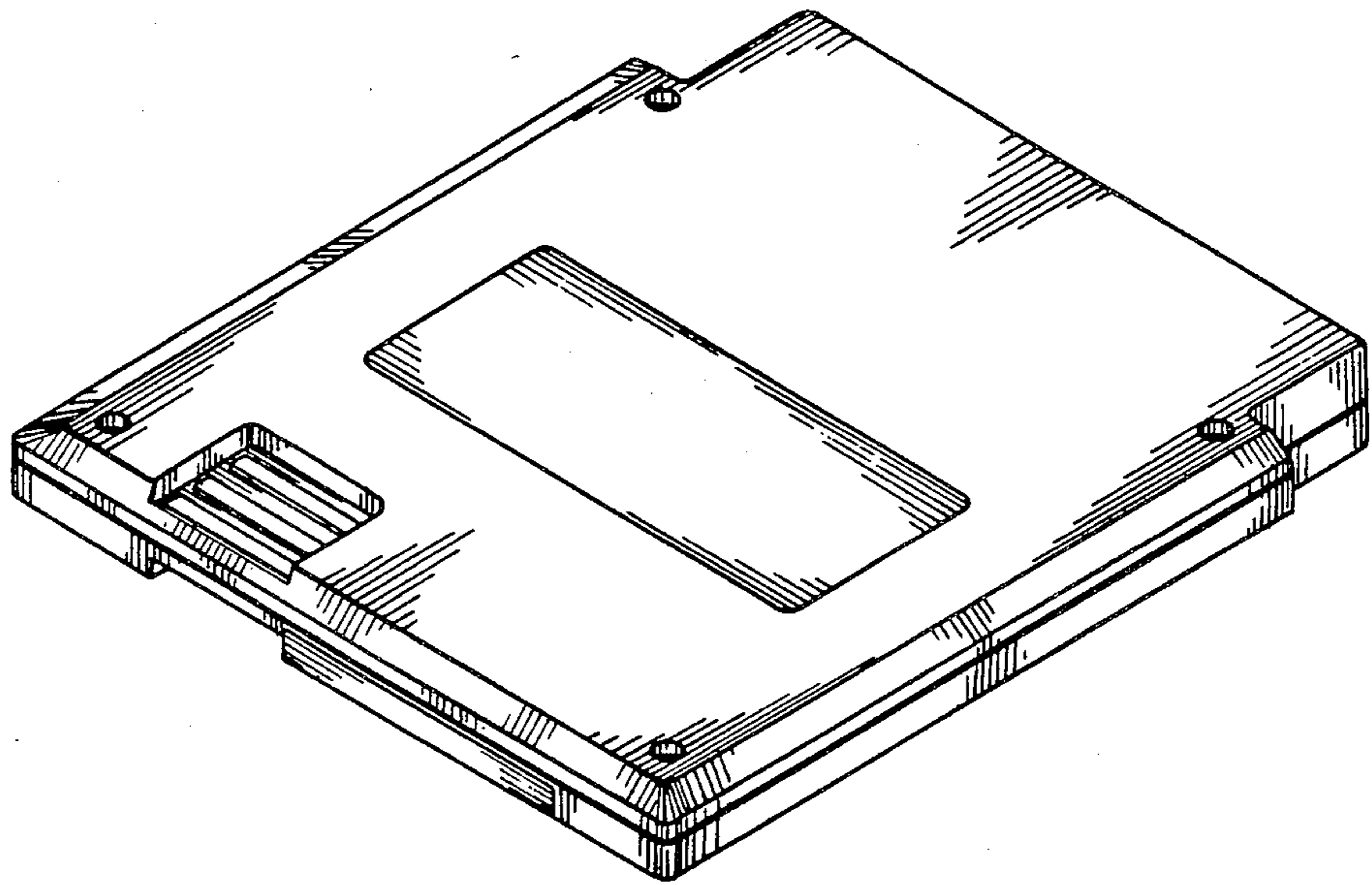


FIG. 3

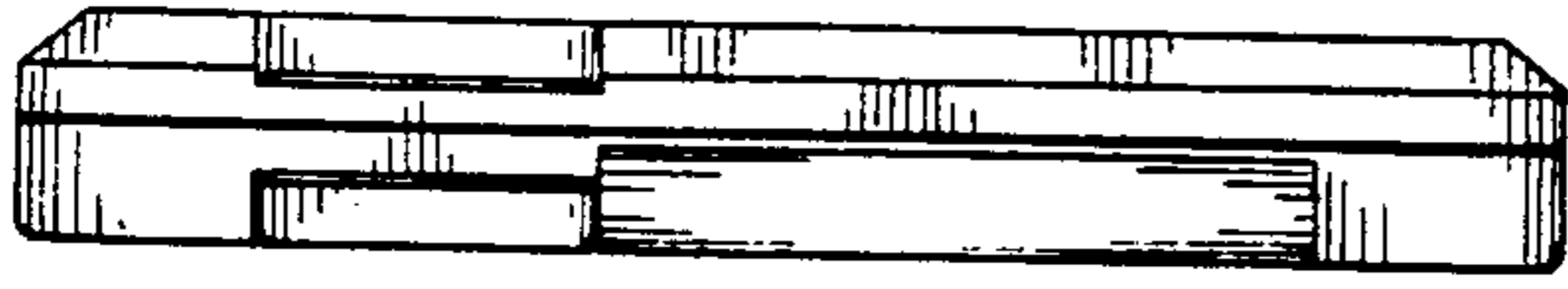


FIG. 4

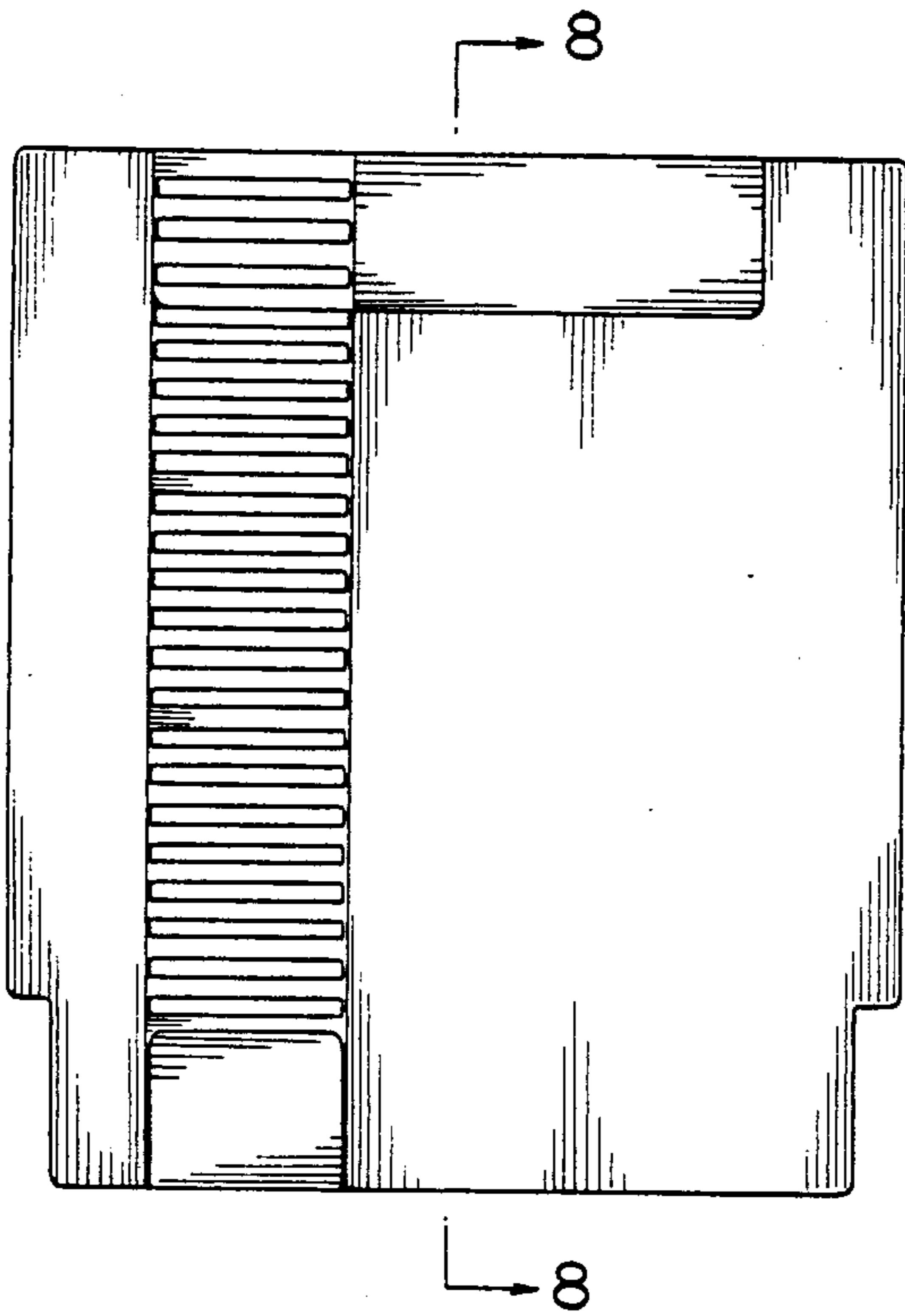


FIG. 6

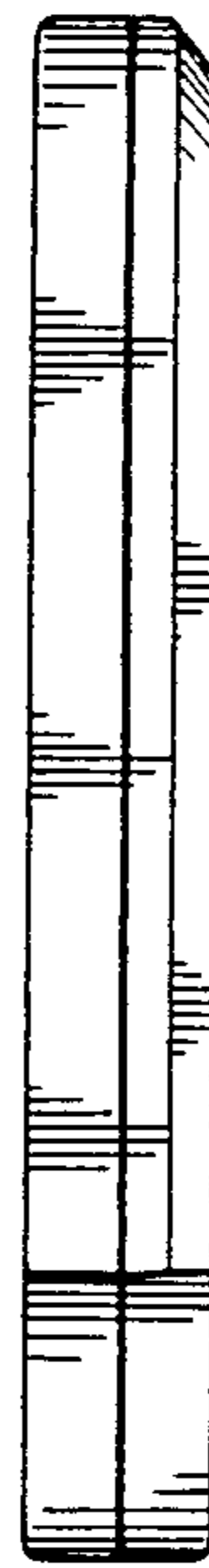


FIG. 5

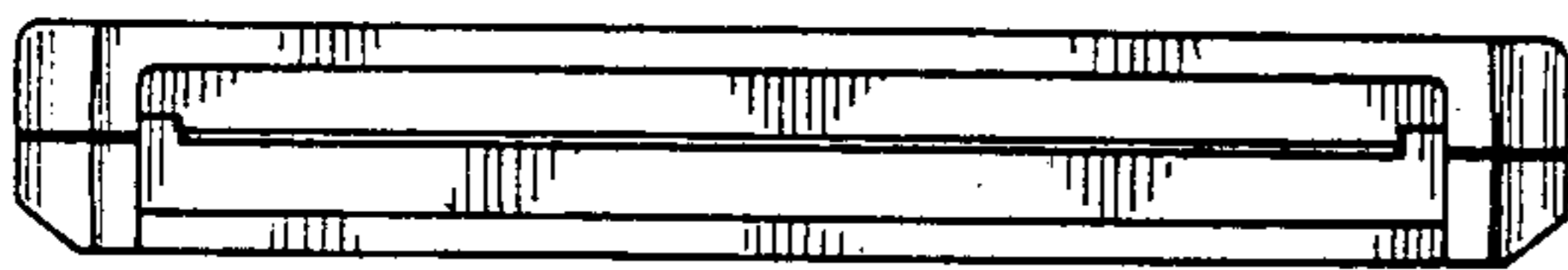


FIG. 7

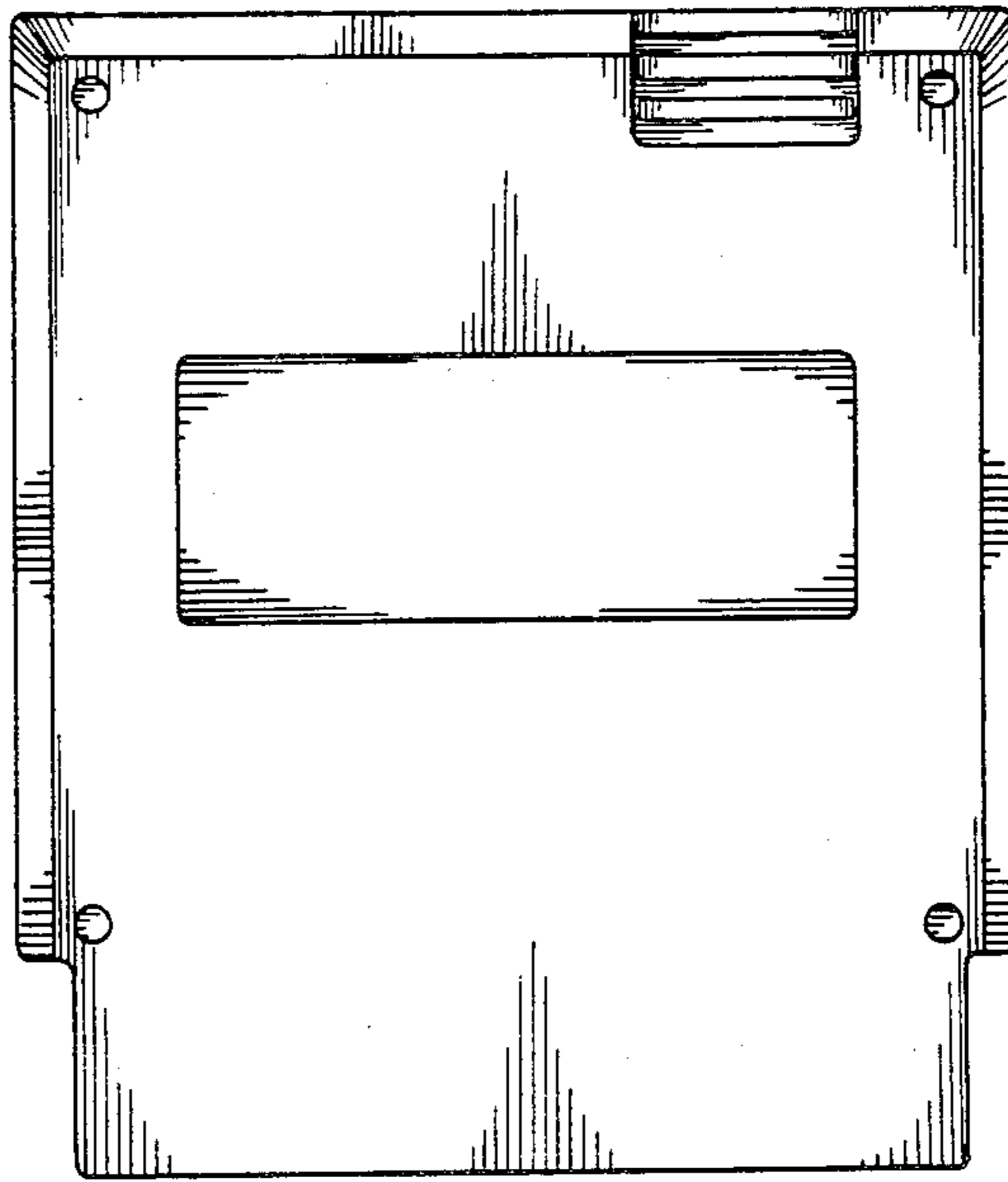


FIG. 8

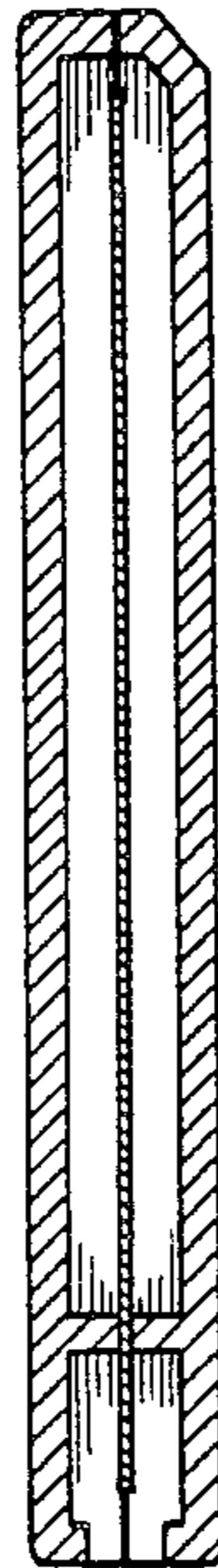


FIG. 9

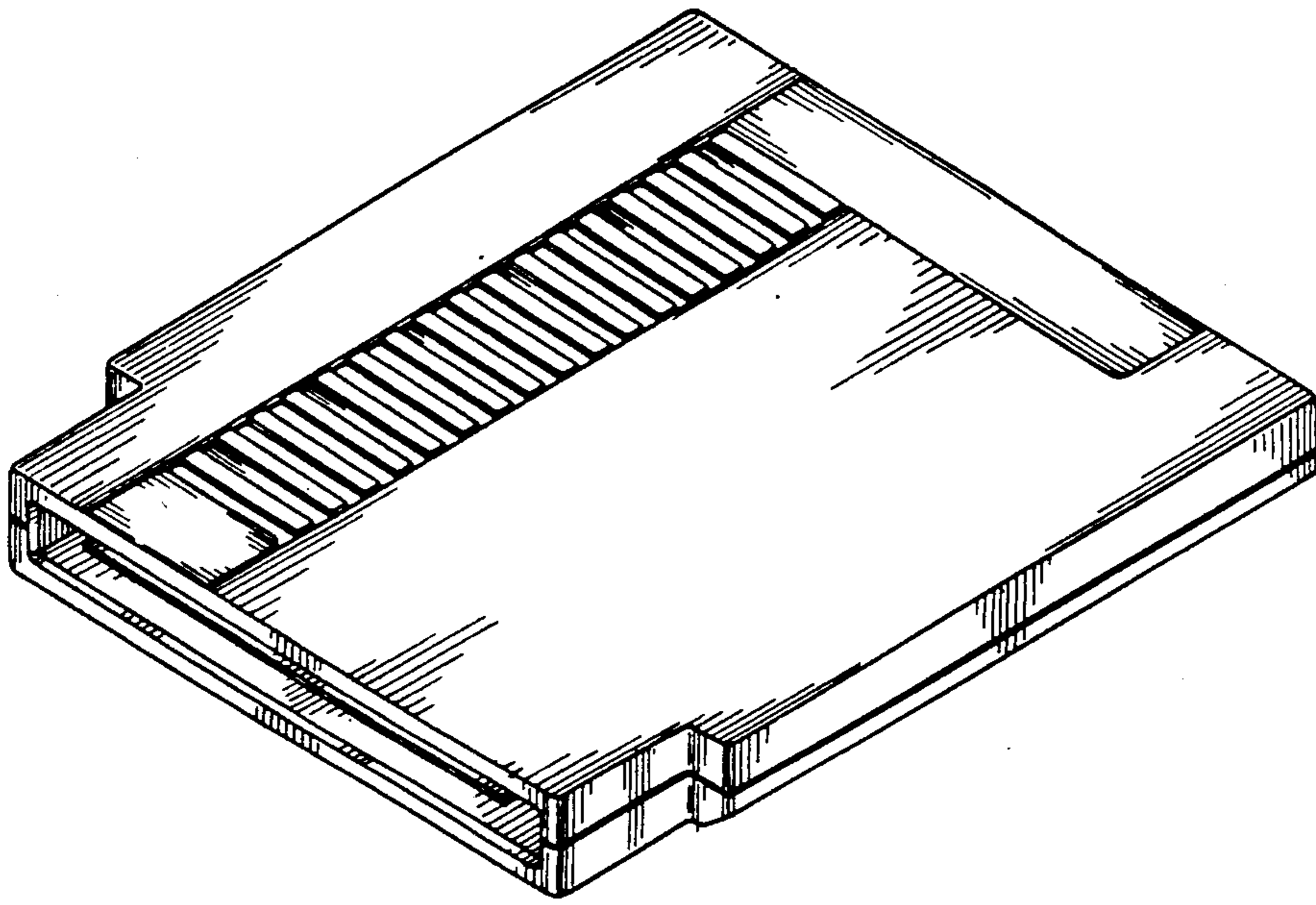


FIG. 10

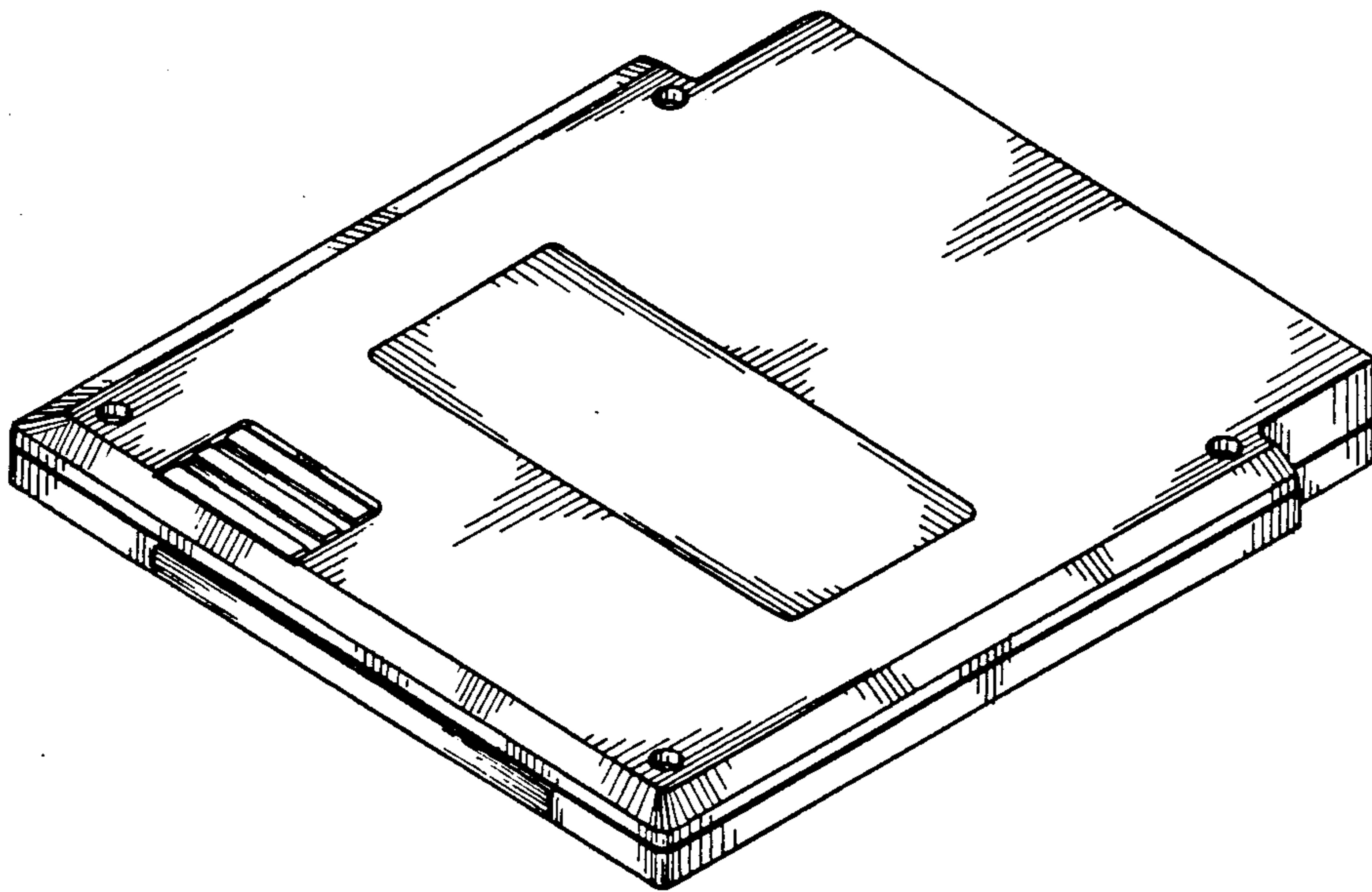


FIG. 11

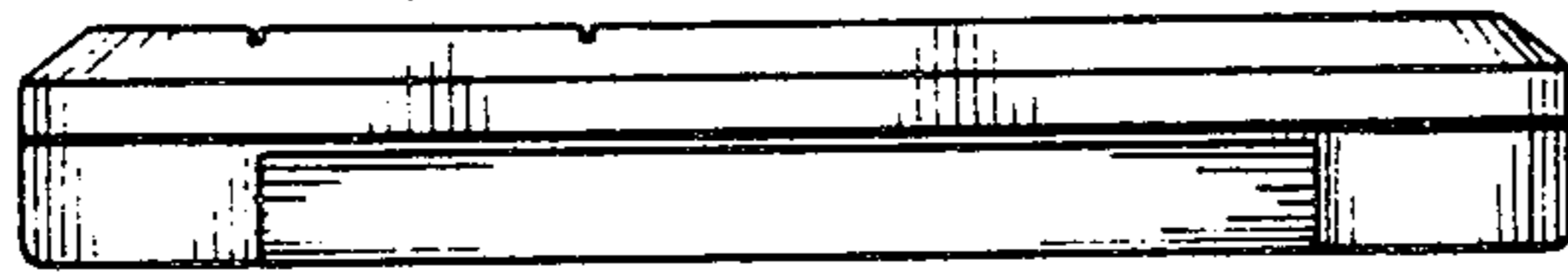


FIG. 12

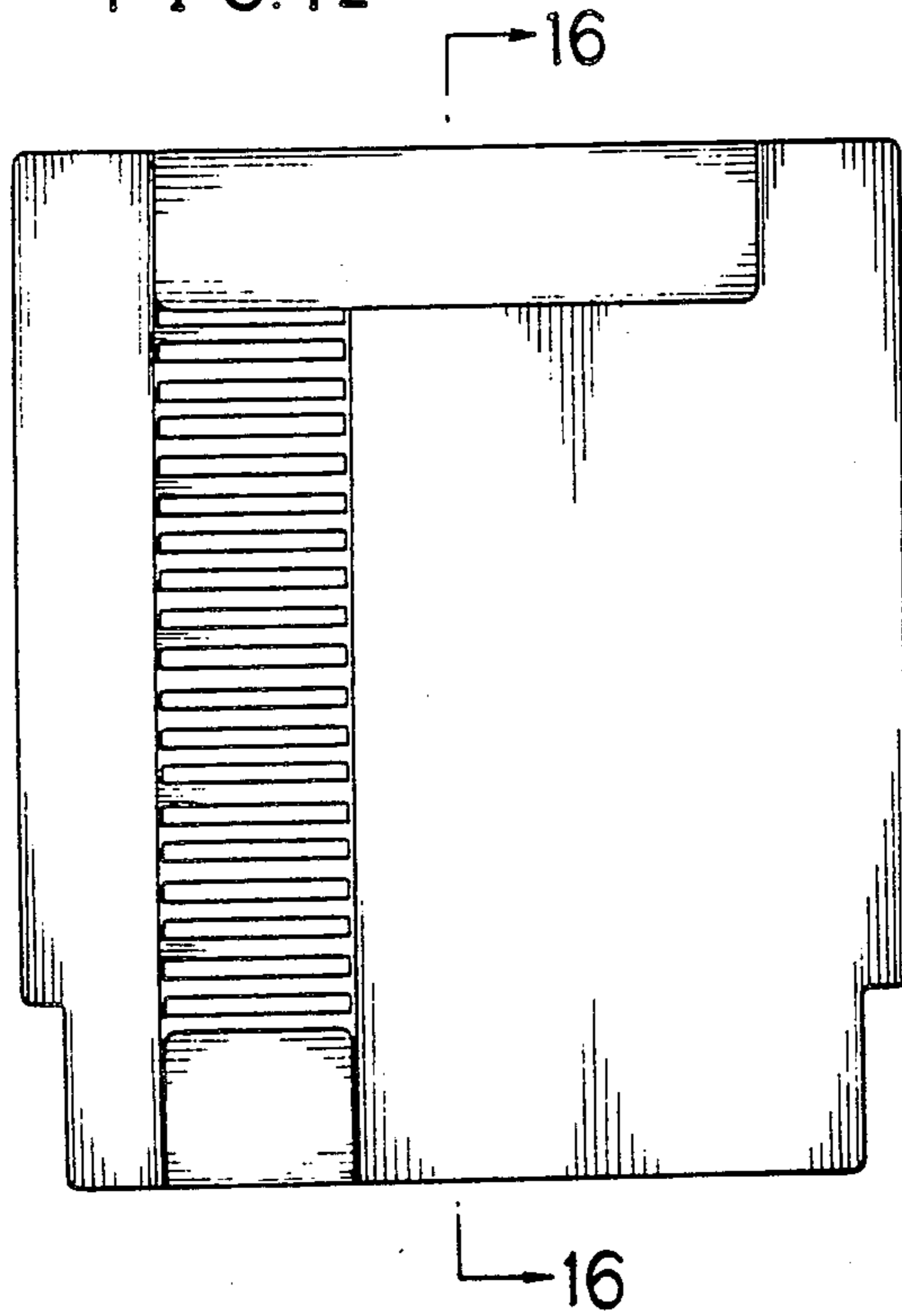


FIG. 14



FIG. 13



FIG. 15

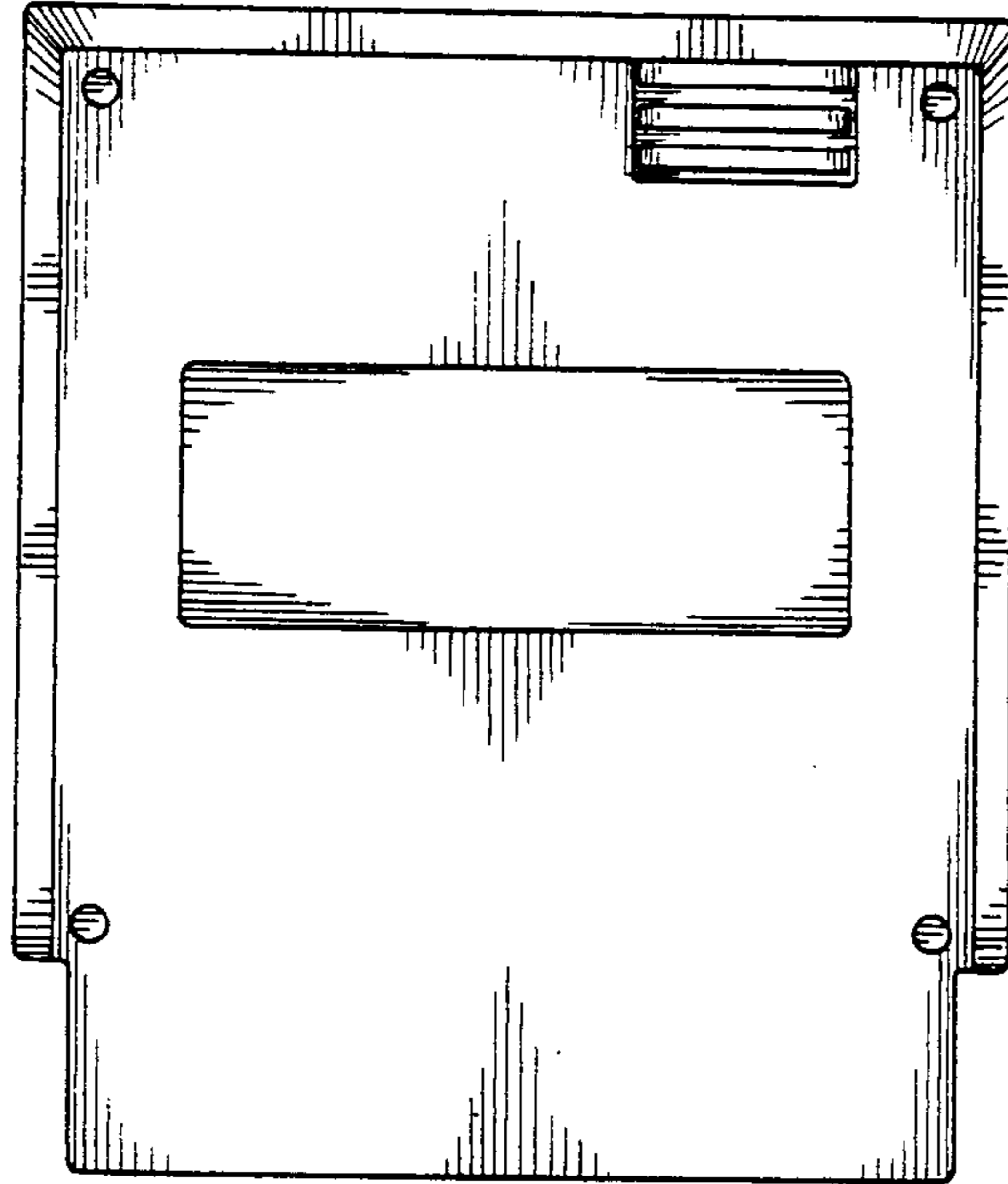


FIG. 16

