

# United States Patent [19]

Gomi

[11] Patent Number: **Des. 294,015**

[45] Date of Patent: **\*\* Feb. 2, 1988**

[54] **ENGINE GENERATOR**

[75] Inventor: **Takeo Gomi, Ageo, Japan**

[73] Assignee: **Fuji Jukogyo Kabushiki Kaisha,  
Tokyo, Japan**

[\*\*] Term: **14 Years**

[21] Appl. No.: **777,064**

[22] Filed: **Sep. 17, 1985**

[52] U.S. Cl. .... **D13/1**

[58] Field of Search ..... **D13/1-3;  
290/1 A, 1 B; 307/150; D15/1**

[56] **References Cited**

**U.S. PATENT DOCUMENTS**

- |            |         |          |       |       |
|------------|---------|----------|-------|-------|
| D. 205,975 | 10/1966 | Sato     | ..... | D13/1 |
| D. 227,411 | 6/1973  | De Bella | ..... | D15/1 |
| D. 276,997 | 1/1985  | Mikado   | ..... | D15/1 |

- |            |        |           |       |       |
|------------|--------|-----------|-------|-------|
| D. 276,997 | 1/1985 | Mikado    | ..... | D13/3 |
| D. 277,285 | 1/1985 | Lopez     | ..... | D13/3 |
| D. 277,954 | 3/1985 | Mizushima | ..... | D13/1 |

*Primary Examiner*—Wallace R. Burke  
*Assistant Examiner*—Ruth Takemoto  
*Attorney, Agent, or Firm*—Martin A. Farber

[57] **CLAIM**

The ornamental design for an engine generator, as shown.

**DESCRIPTION**

- FIG. 1 is a front view of the engine generator,  
FIG. 2 is a rear view of FIG. 1.  
FIG. 3 is a right side view thereof.  
FIG. 4 is a left side view thereof.  
FIG. 5 is a top plan view thereof.  
FIG. 6 is a bottom plan view thereof.  
FIG. 7 is a front side perspective view thereof.  
FIG. 8 is a rear side perspective view thereof.

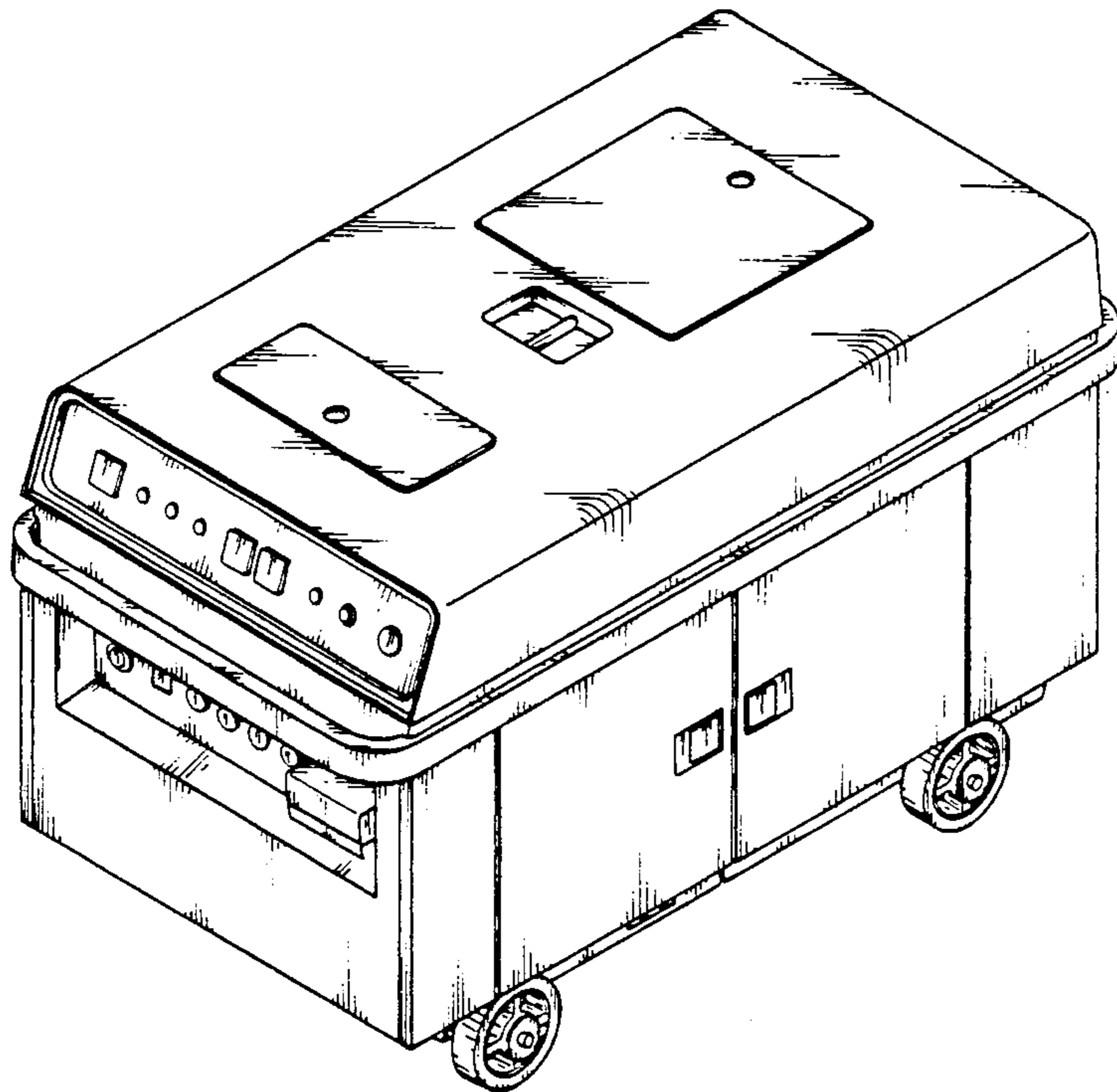


FIG. 1

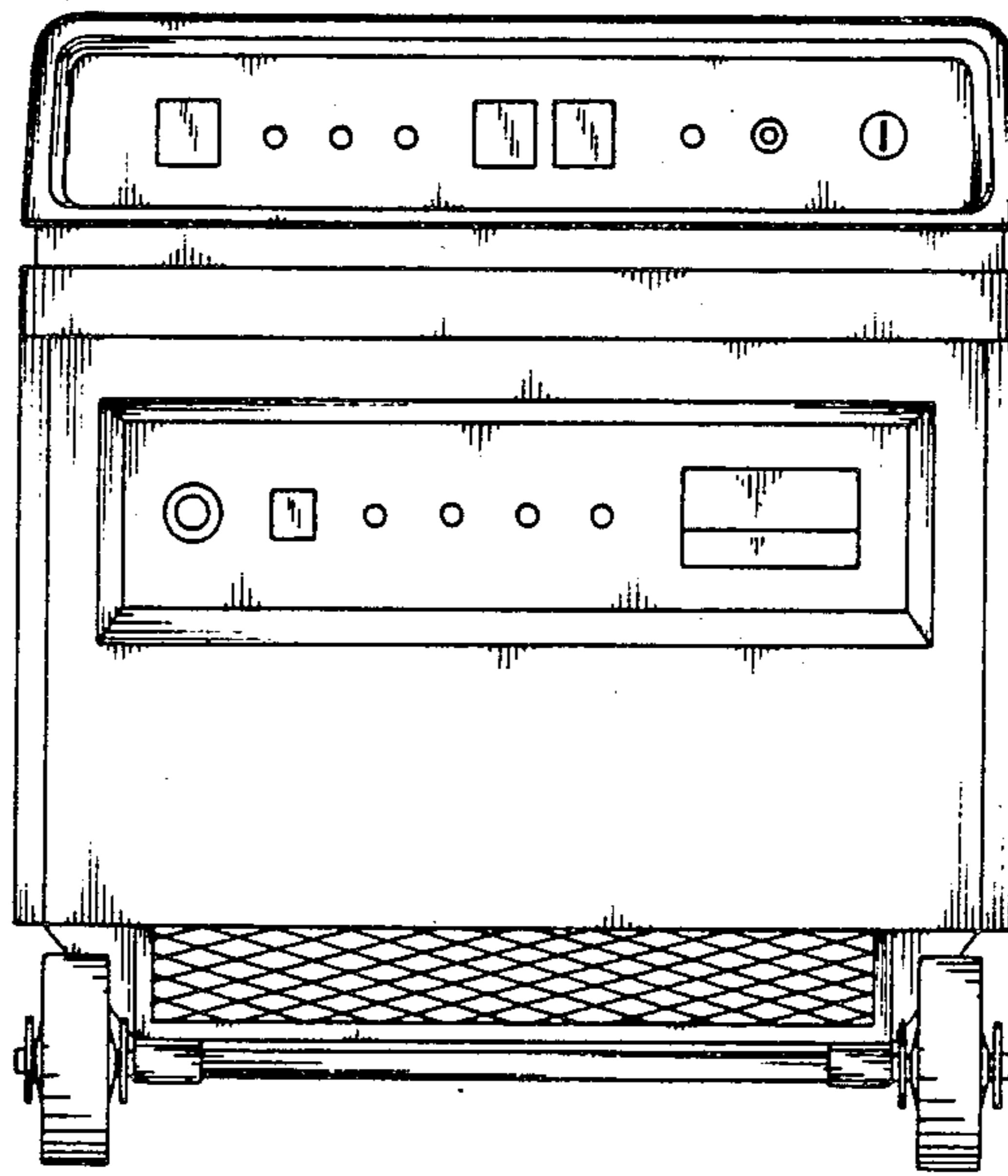


FIG. 2

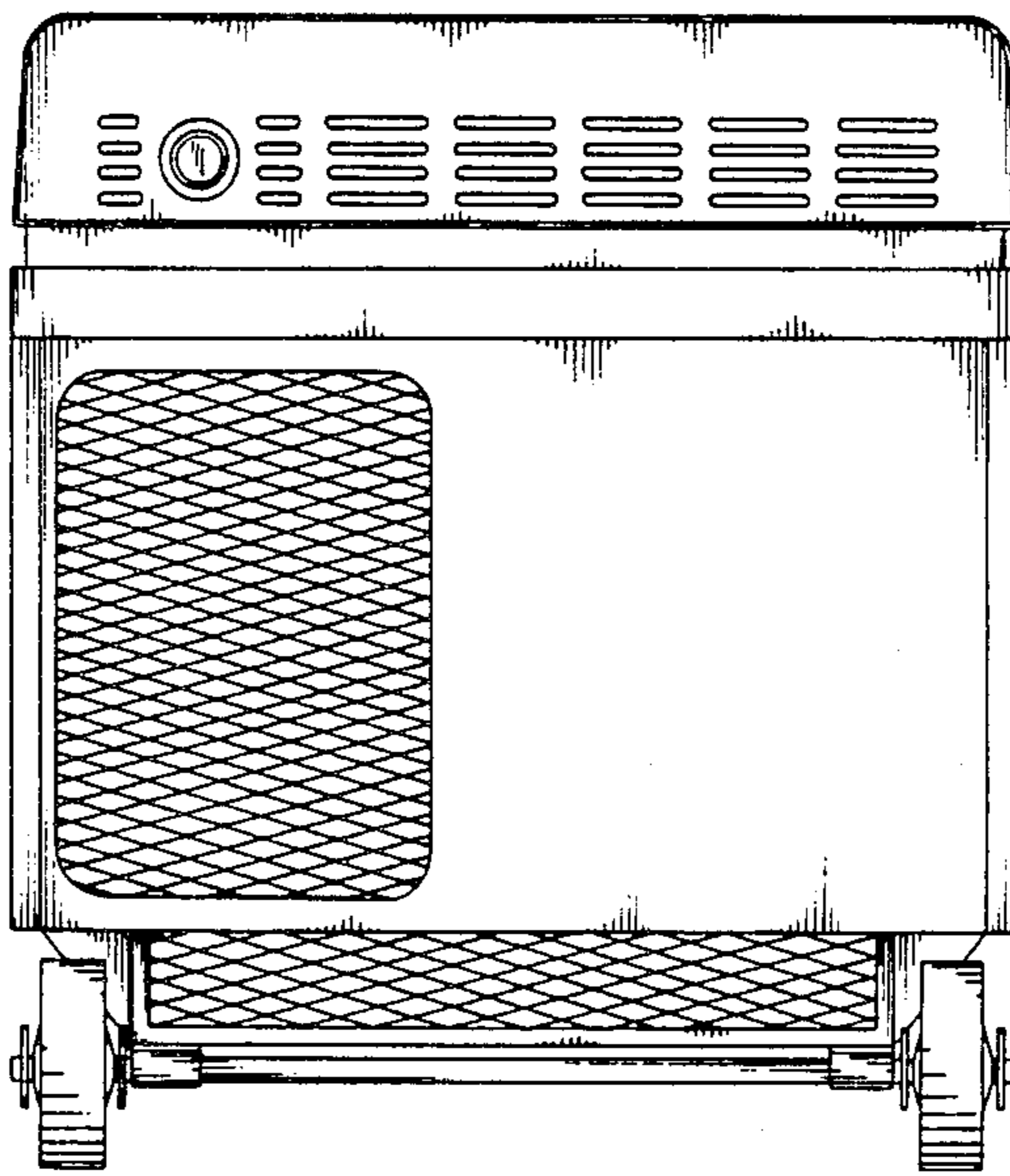


FIG. 3

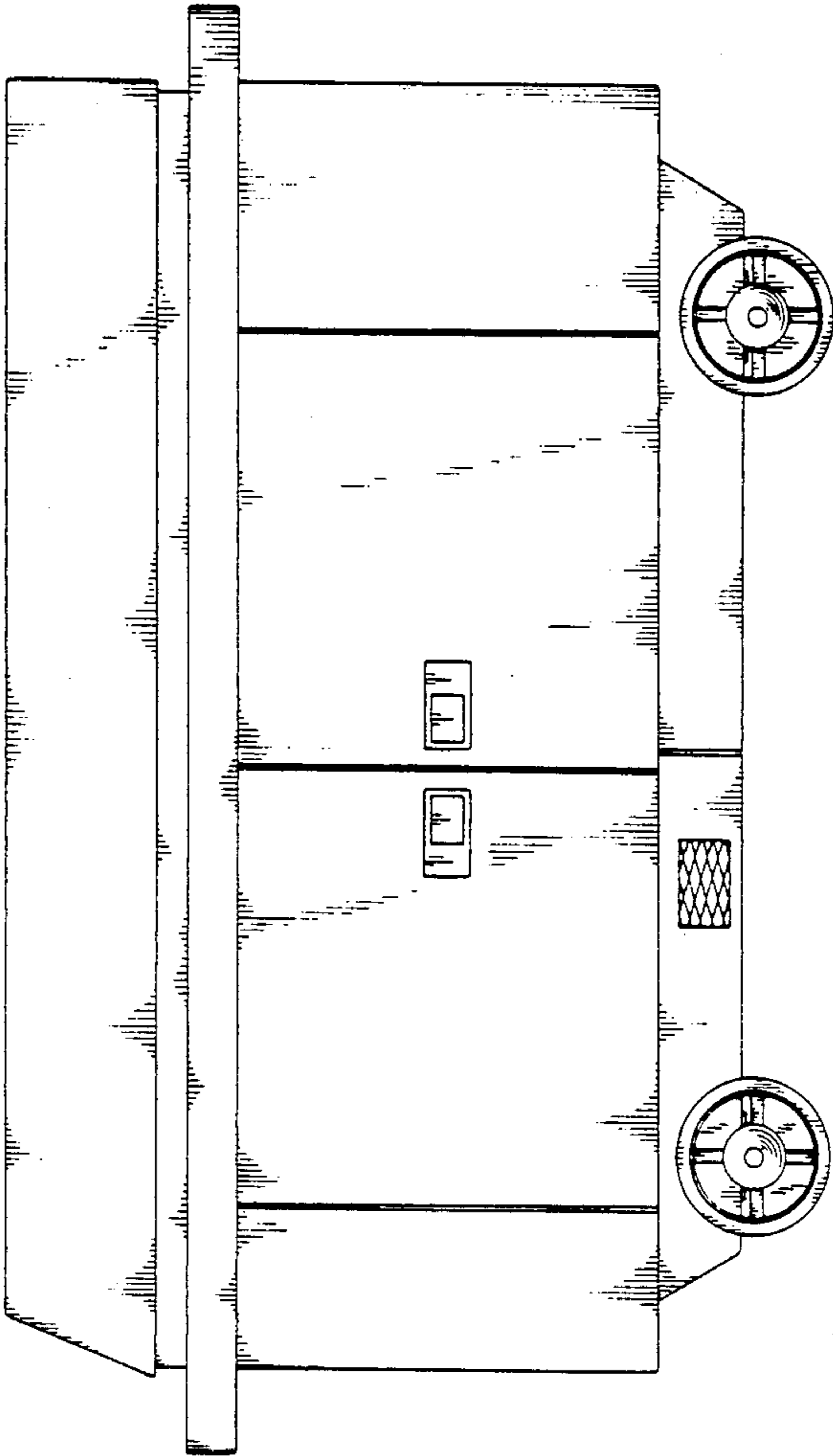


FIG. 4

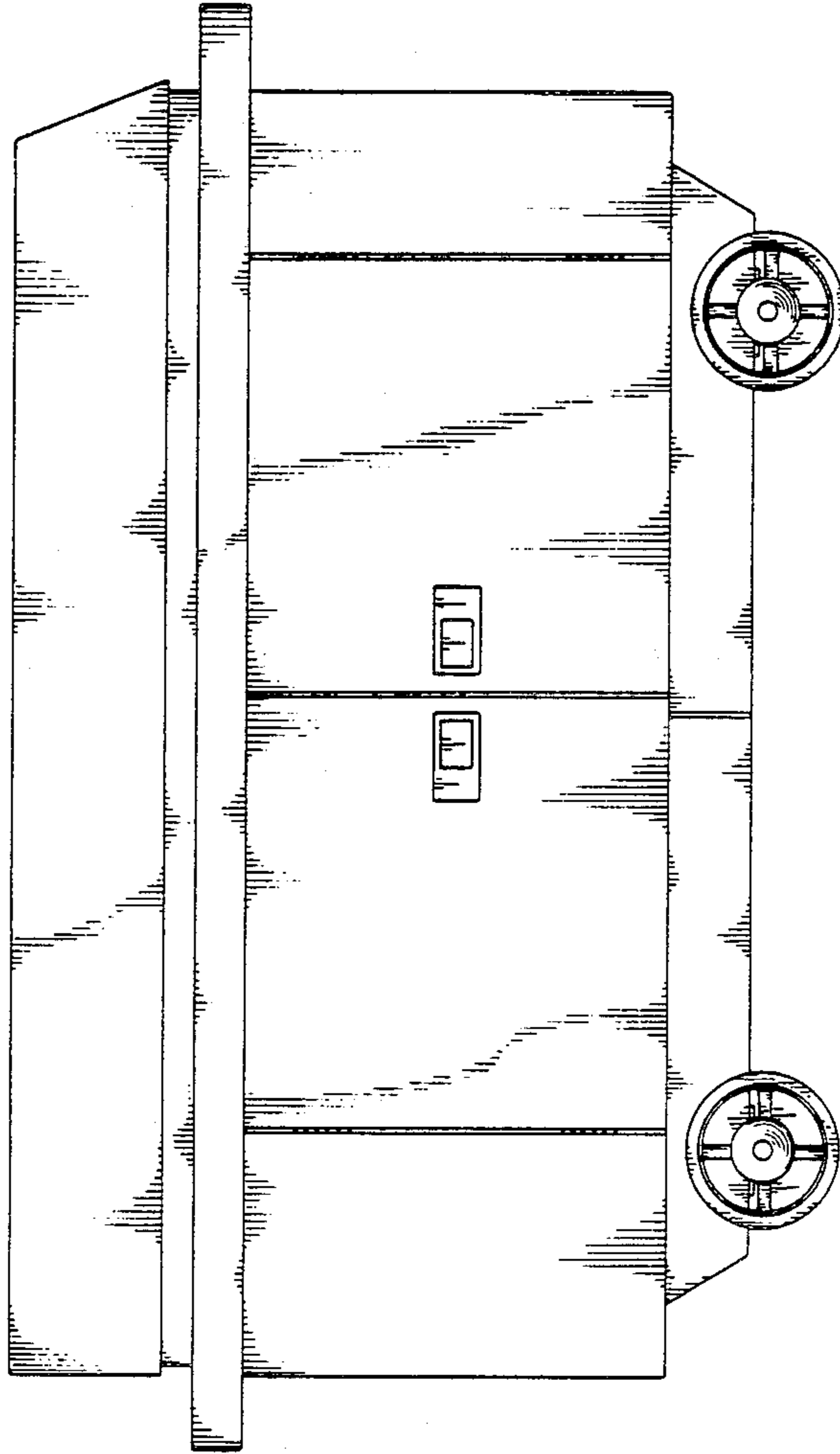


FIG. 5

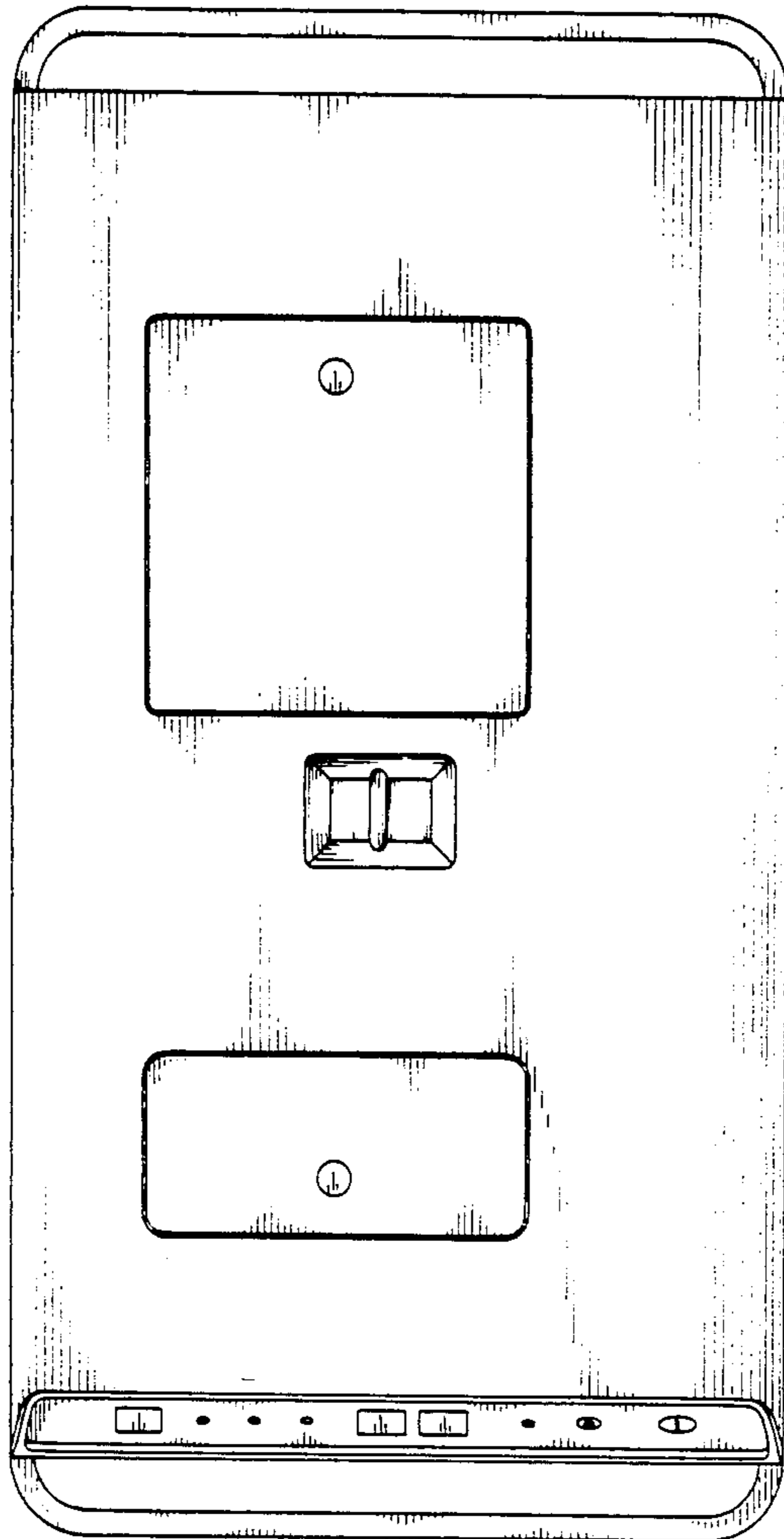
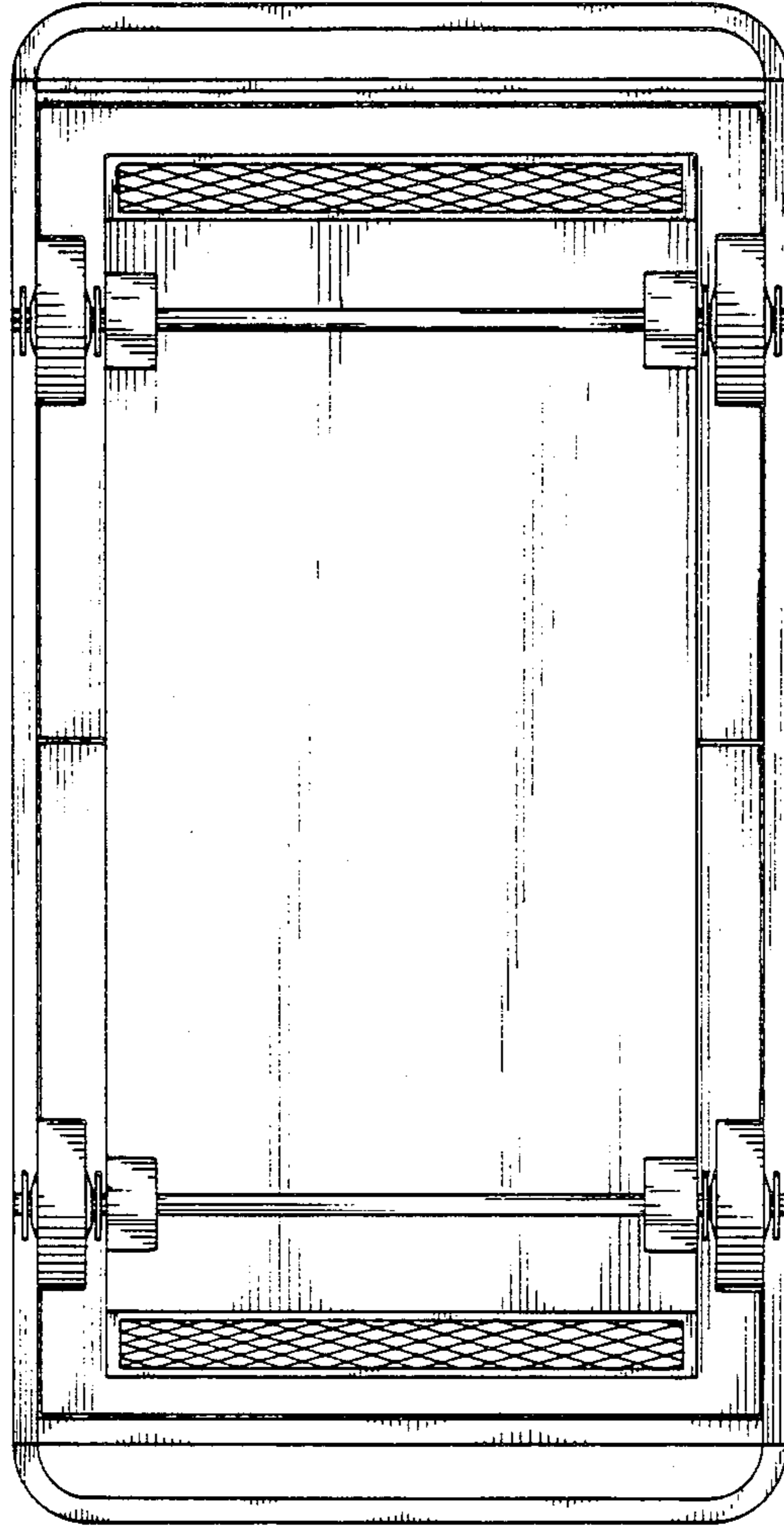


FIG. 6



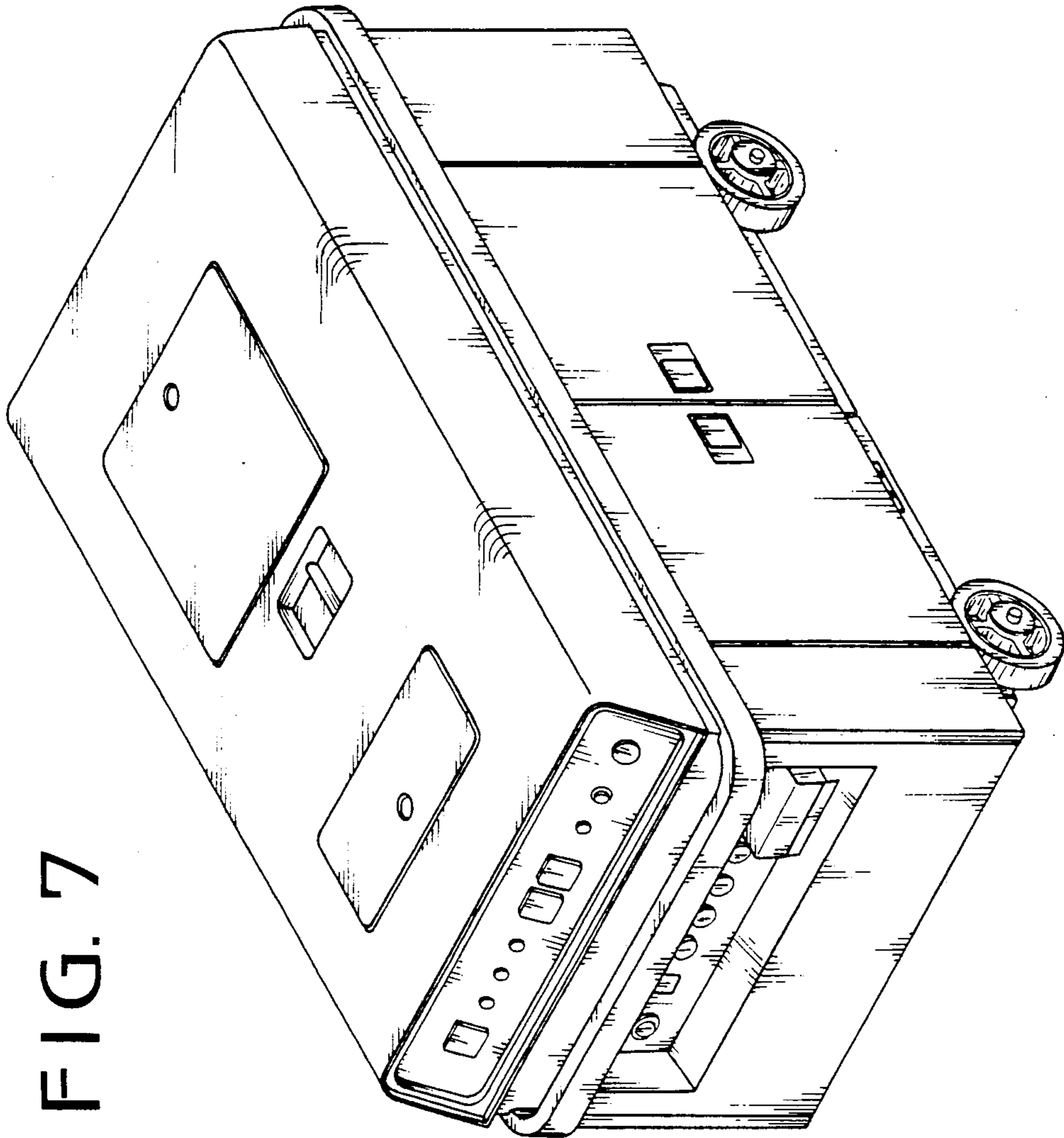


FIG. 7

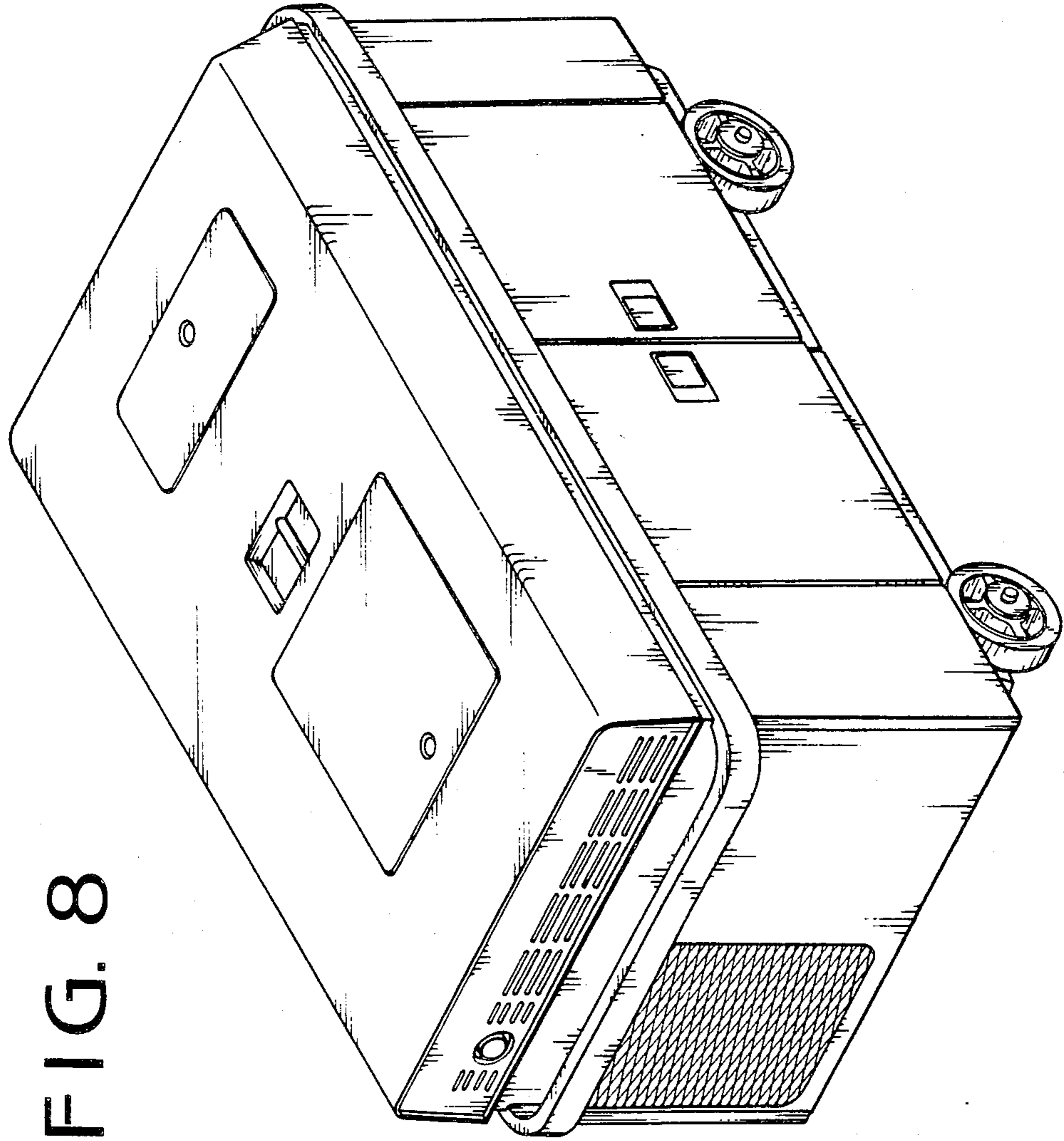


FIG. 8