

[54] CLAMPING DEVICE FOR HOLDING FLEXIBLE FEEDING POUCH

[75] Inventors: Ralph A. Gygax, Westerville; Antonino Araujo, Jr., Columbus, both of Ohio

[73] Assignee: Abbott Laboratories, North Chicago, Ill.

[**] Term: 14 Years

[21] Appl. No.: 728,550

[22] Filed: Apr. 29, 1985

[52] U.S. Cl. D8/395; D8/394; D8/373

[58] Field of Search D8/371, 373, 395, 394; D24/52, 47, 48, 51; D19/65, 99, 100; D9/415

[56] References Cited

U.S. PATENT DOCUMENTS

D. 60,275	1/1922	Stone	D19/65
D. 202,408	9/1965	Feldmohr	D19/99
D. 243,121	1/1977	Ralston, Jr. et al.	D24/52
D. 257,158	9/1980	Olsson	D19/65
D. 284,935	8/1986	Shaw	D8/394
2,470,811	5/1949	Engelman	D6/546 X
3,030,952	4/1962	Elder	D24/52 X
3,056,403	10/1962	Gewecke	D24/52 X
3,898,717	8/1975	Schwartz	D19/65 X
4,157,152	6/1979	Blastic	D19/65 X
4,332,060	6/1982	Sato	D19/65 X

FOREIGN PATENT DOCUMENTS

223182 11/1942 Switzerland D19/65

OTHER PUBLICATIONS

Grammes' Advertising Specialties Catalog ©1939; at p. 35, Coffee Menu Holder, No. 16194.

Primary Examiner—Wallace R. Burke

Assistant Examiner—Horace B. Fay, Jr.

Attorney, Agent, or Firm—Janet K. Hochstetler; Martin L. Katz

[57] CLAIM

The ornamental design for a clamping device for holding flexible feeding pouch, substantially as shown.

DESCRIPTION

FIG. 1 is a left side top and front perspective view of a clamping device for holding a flexible pouch showing our new design attached upon the top of a feeding pouch shown in broken lines;

FIG. 2 is a top plan view thereof in opened position;

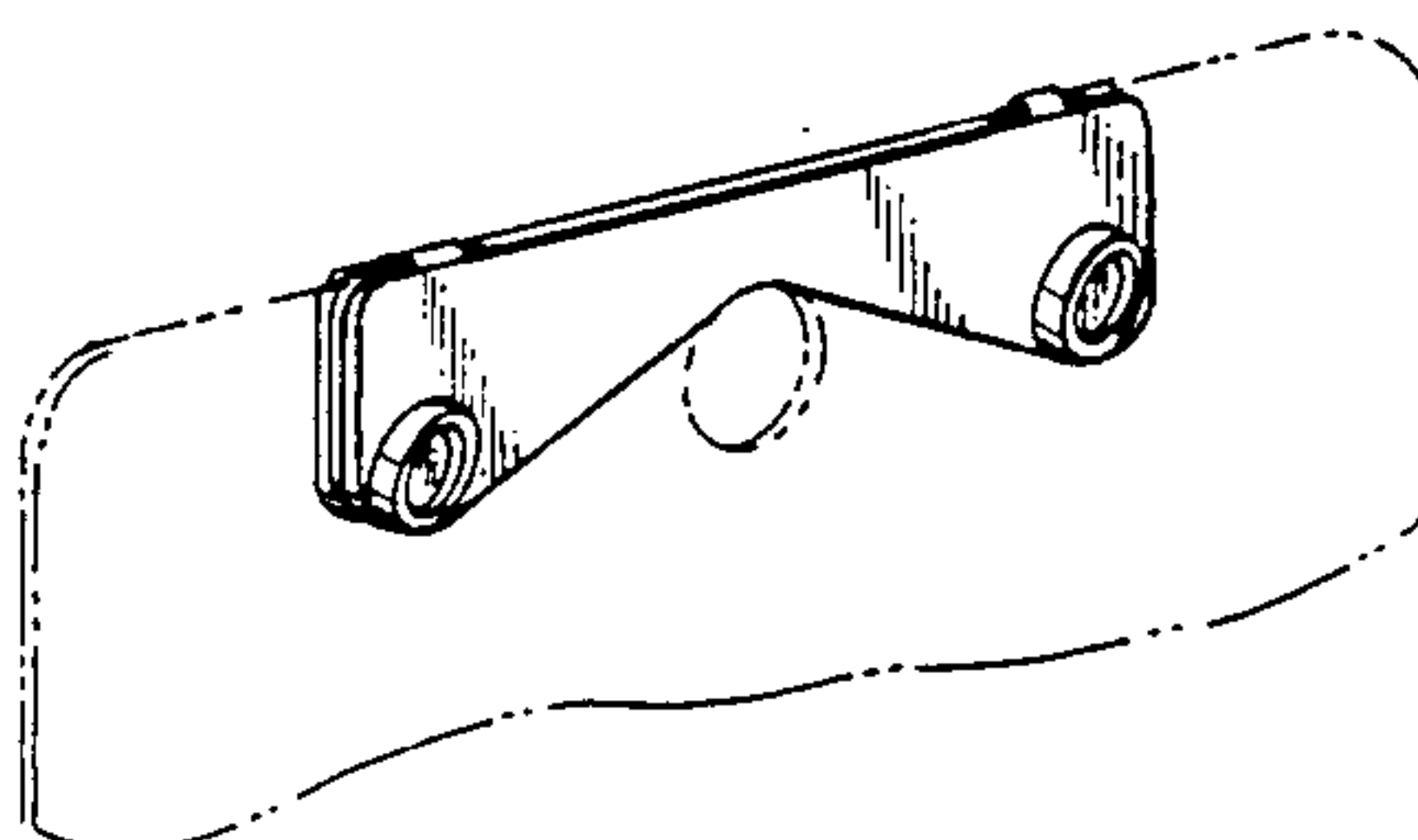
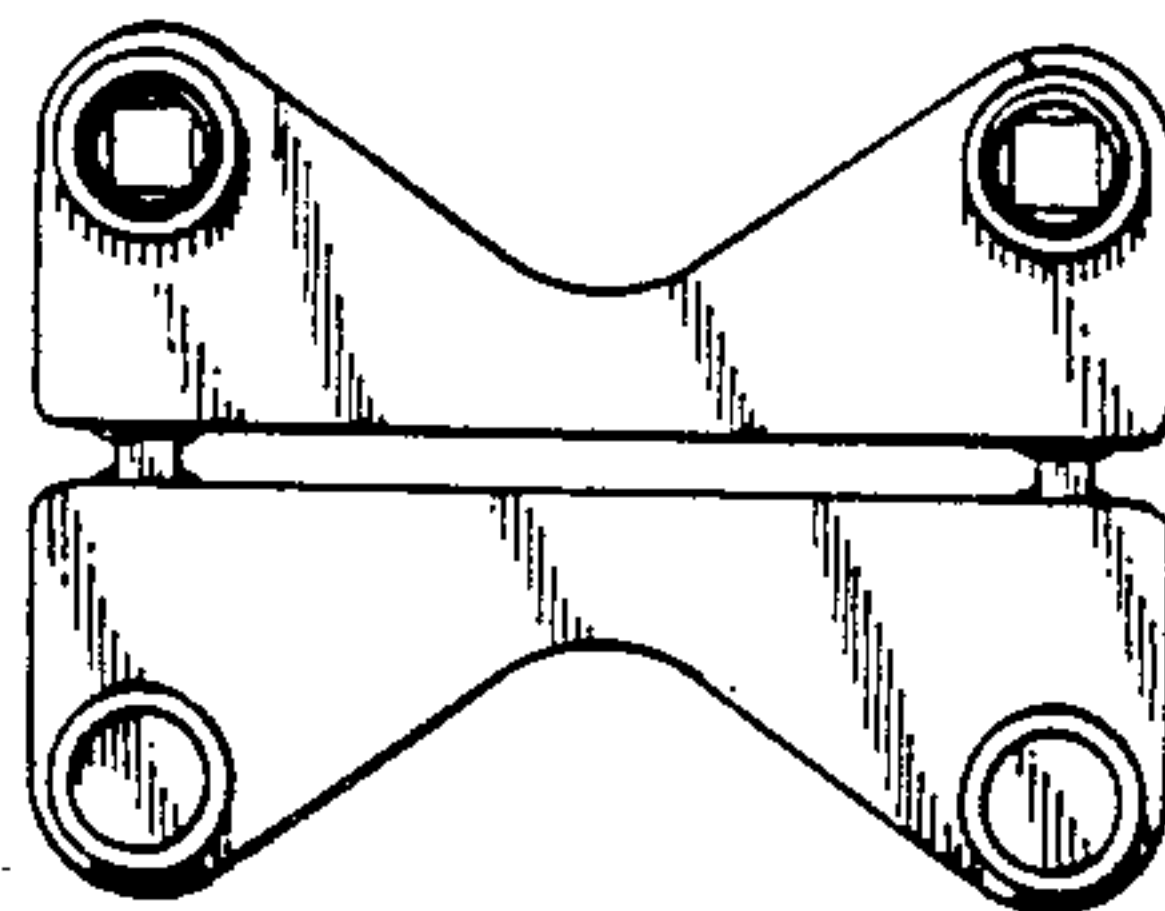
FIG. 3 is an end view thereof in opened position;

FIG. 4 is a top elevational view thereof as shown in FIG. 2;

FIG. 5 is a bottom plan view thereof as shown in FIG. 2; and

FIG. 6 is an end view thereof in closed position.

The broken line showing of a flexible pouch in FIGS. 1 and 6 is for illustrative purposes only and forms no part of the claimed design.



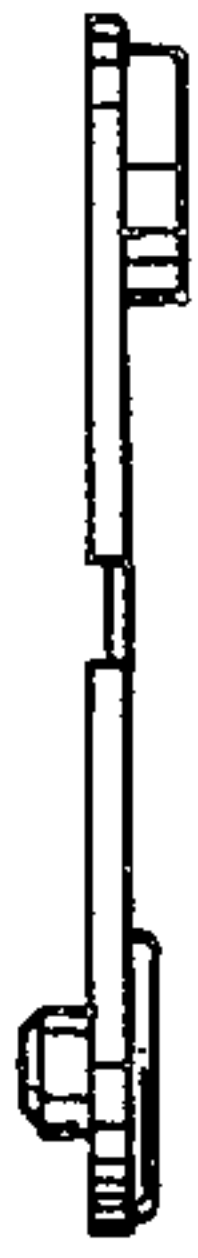


FIG. 3

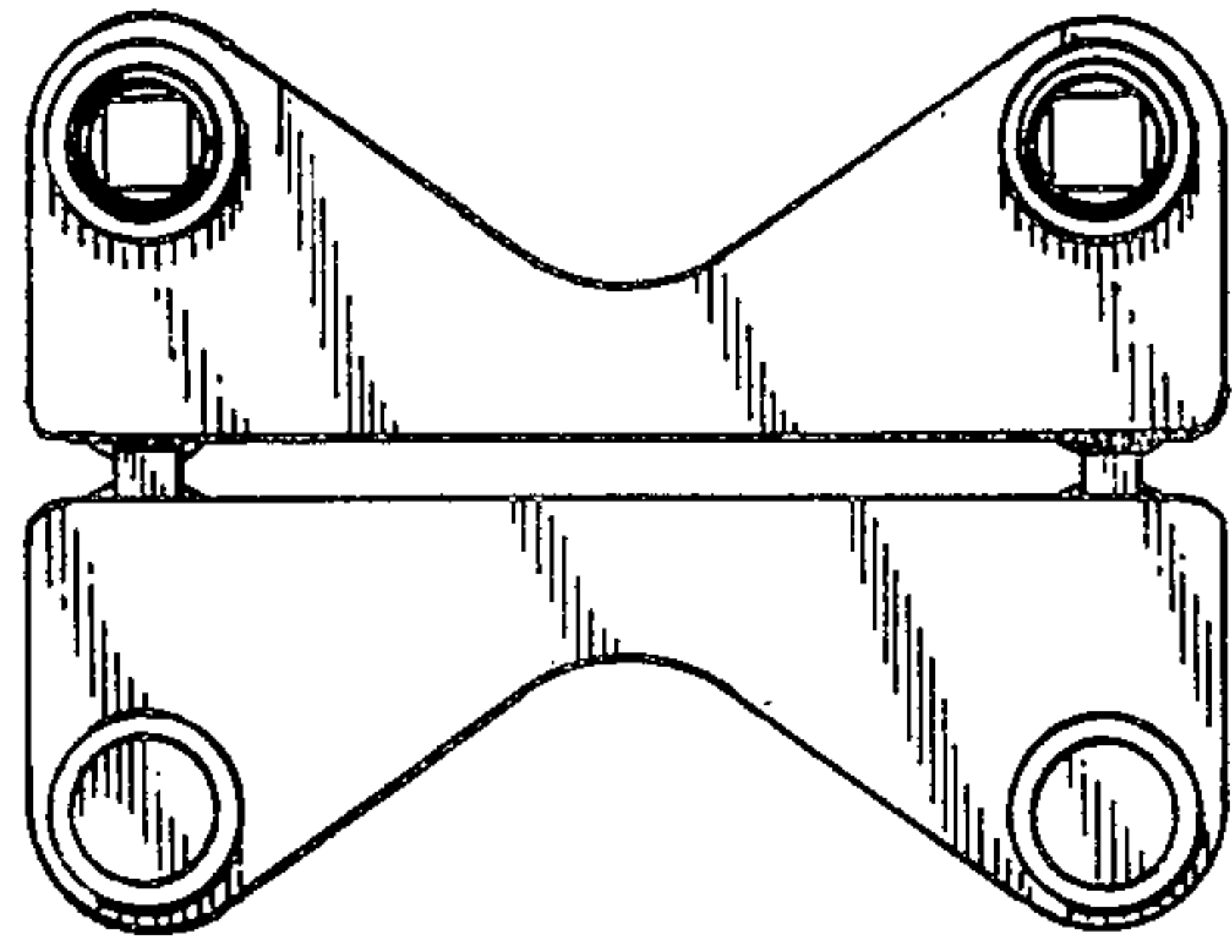


FIG. 2

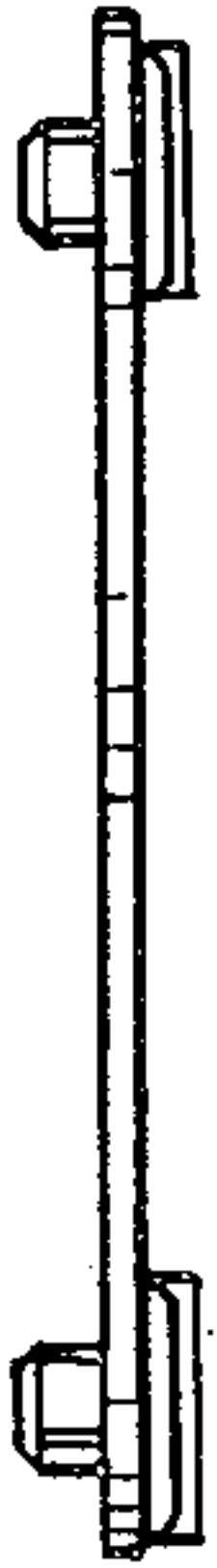


FIG. 4

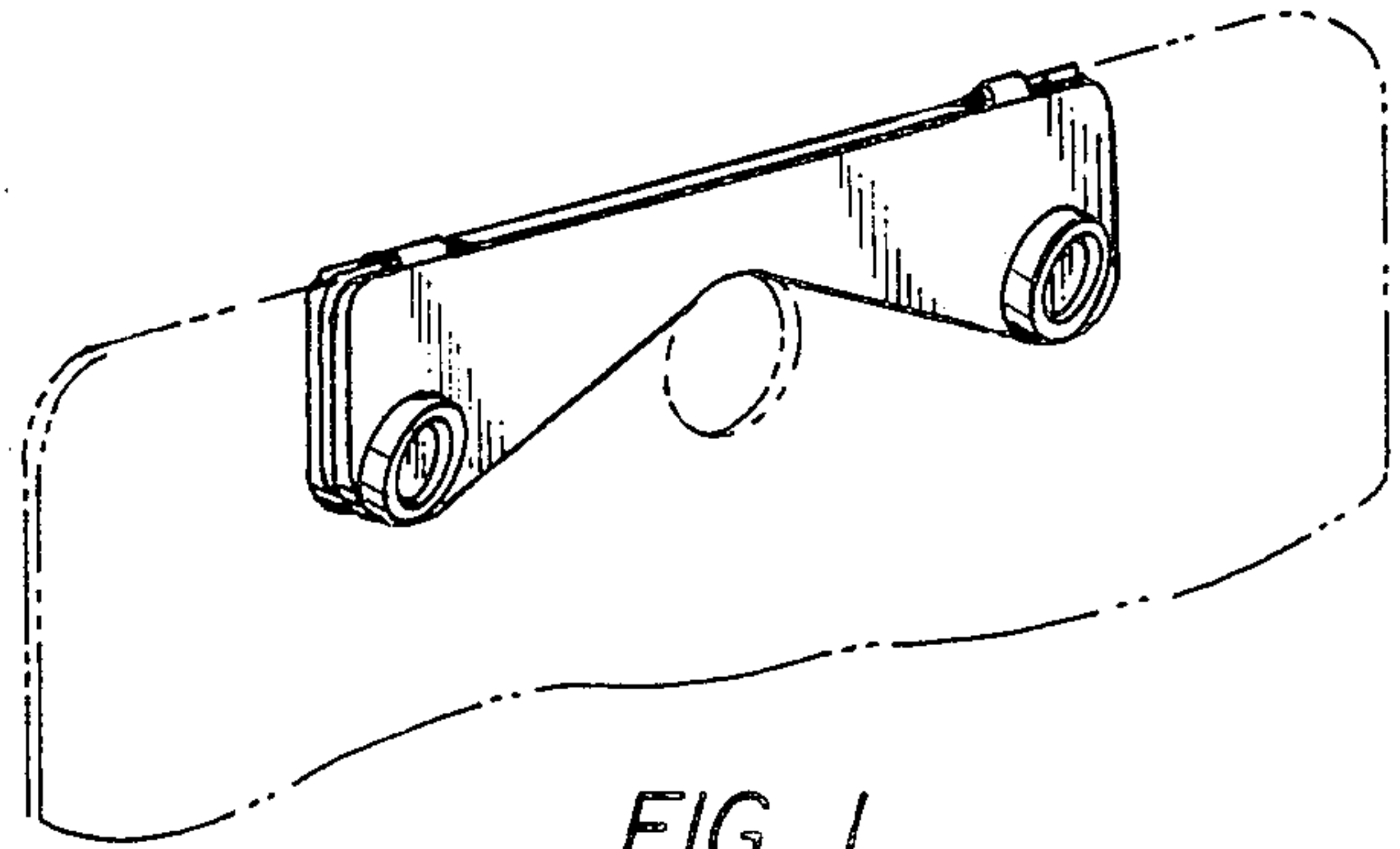


FIG. 1

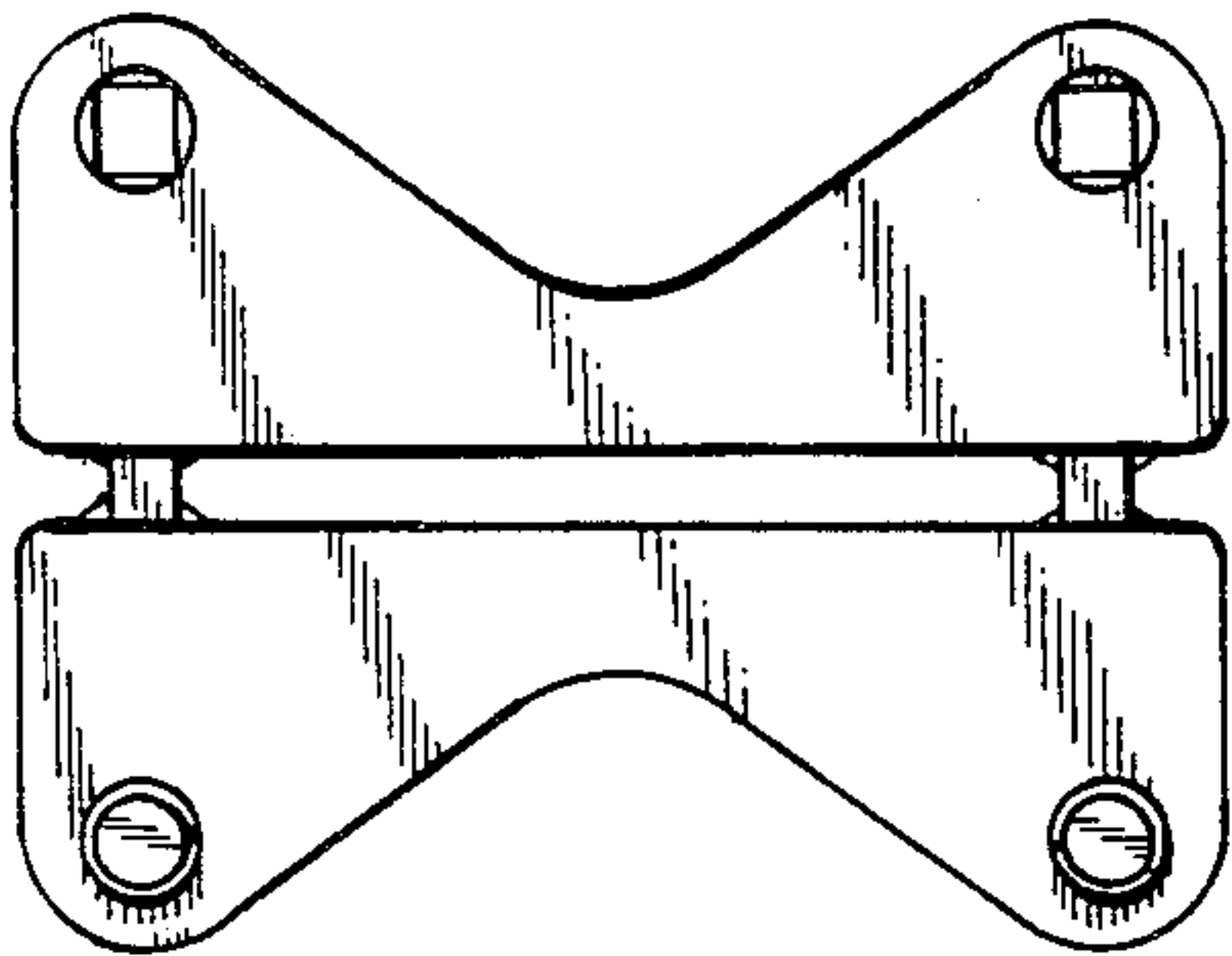


FIG. 5



FIG. 6