

United States Patent [19]

Satake

[11] Patent Number: Des. 293,998

[45] Date of Patent: ** Feb. 2, 1988

[54] MICROWAVE OVEN

[75] Inventor: Koji Satake, Osaka, Japan

[73] Assignee: Sharp Corporation, Osaka, Japan

[**] Term: 14 Years

[21] Appl. No.: 720,746

[22] Filed: Apr. 8, 1985

[52] U.S. Cl. D7/351

[58] Field of Search D7/348-351;
219/10.55 R, 10.55 B; 126/273 R, 275 R, 275 E

[56] **References Cited**

U.S. PATENT DOCUMENTS

- D. 251,052 2/1979 Kosako D7/351
- D. 262,088 12/1981 Yamamura et al. D7/351
- D. 268,162 3/1983 Yamamura et al. D7/351

D. 272,407 1/1984 Notbohm D7/351

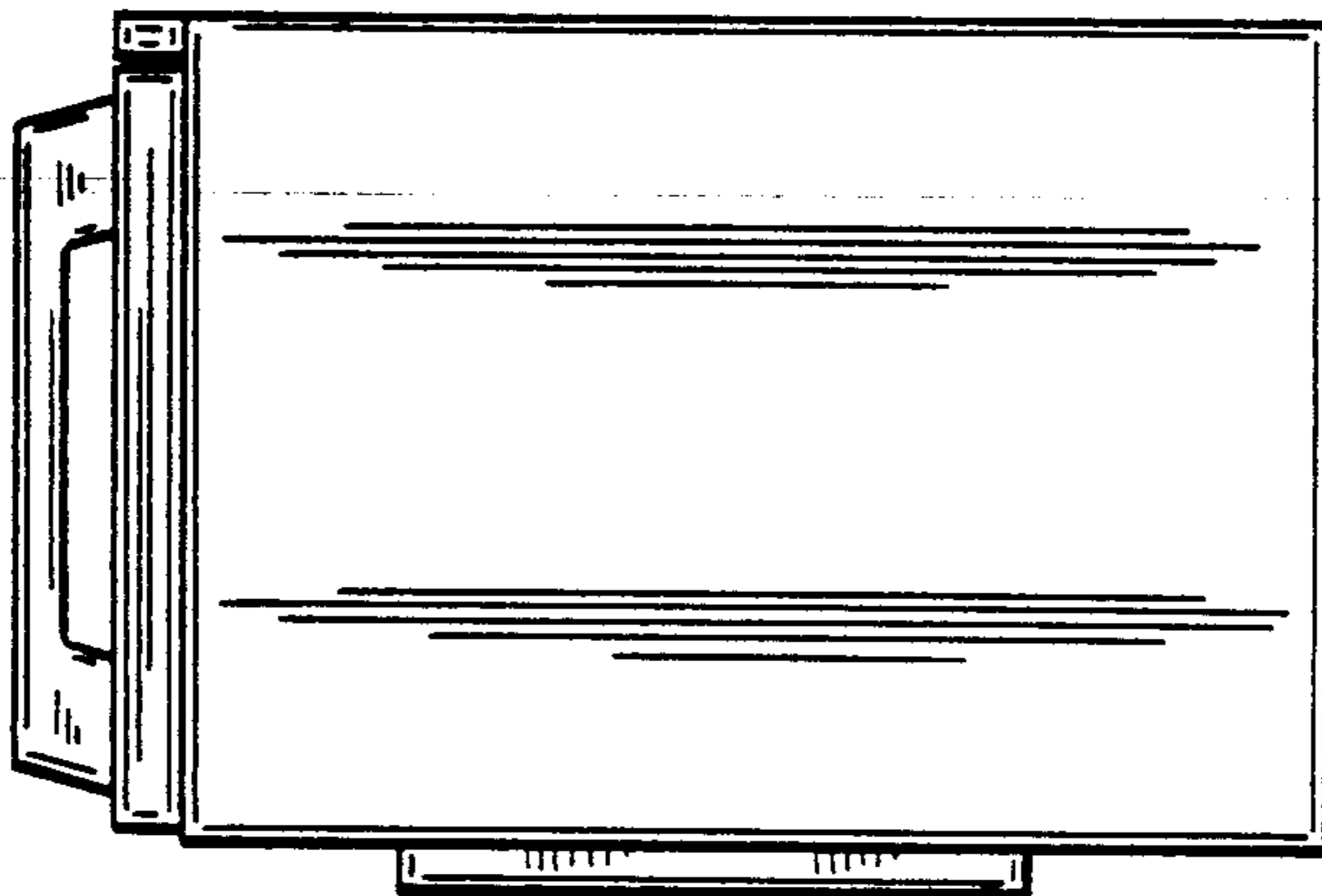
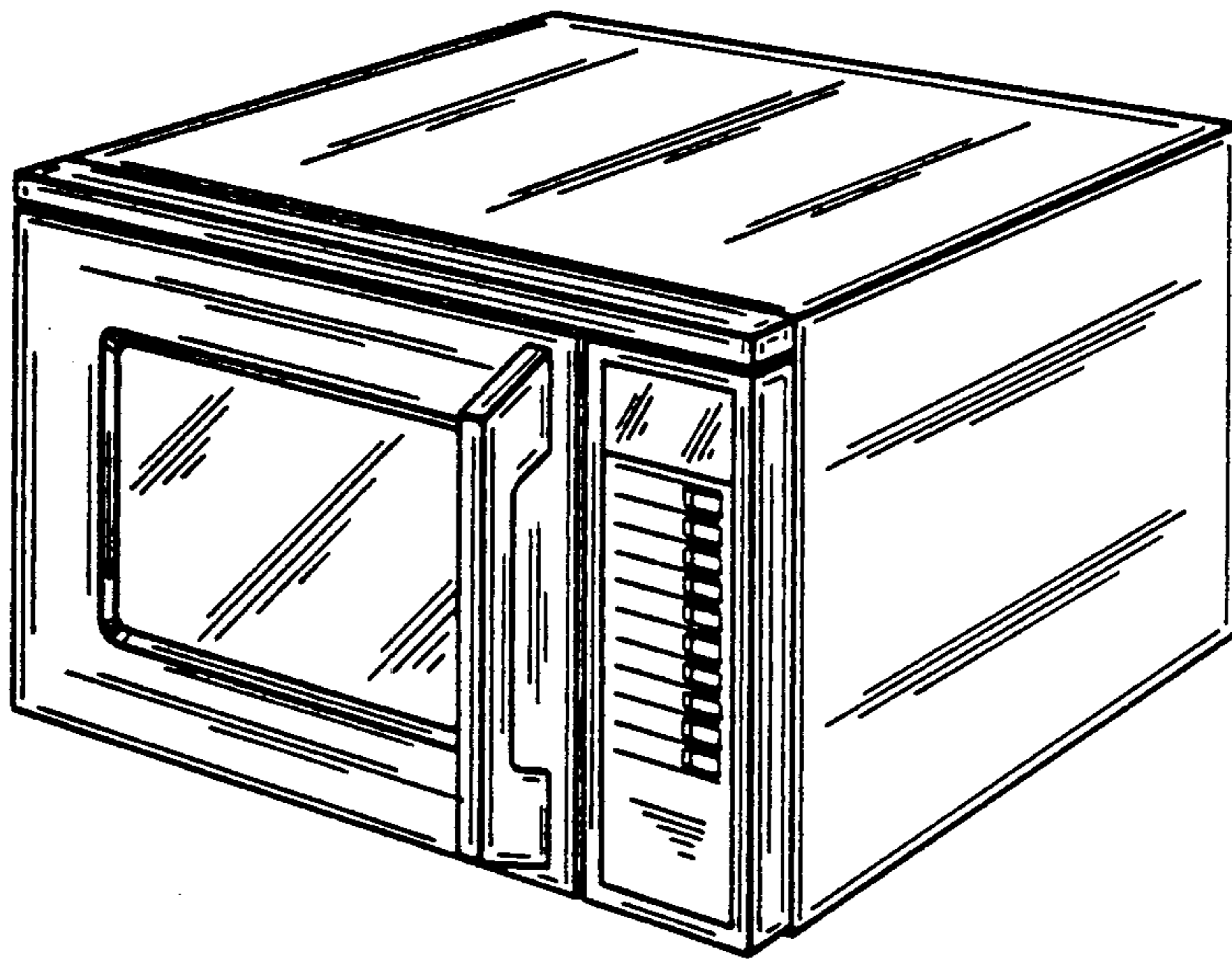
Primary Examiner—Wallace R. Burke
Assistant Examiner—Ruth Takemoto
Attorney, Agent, or Firm—Flehr, Hohbach, Test,
Albritton & Herbert

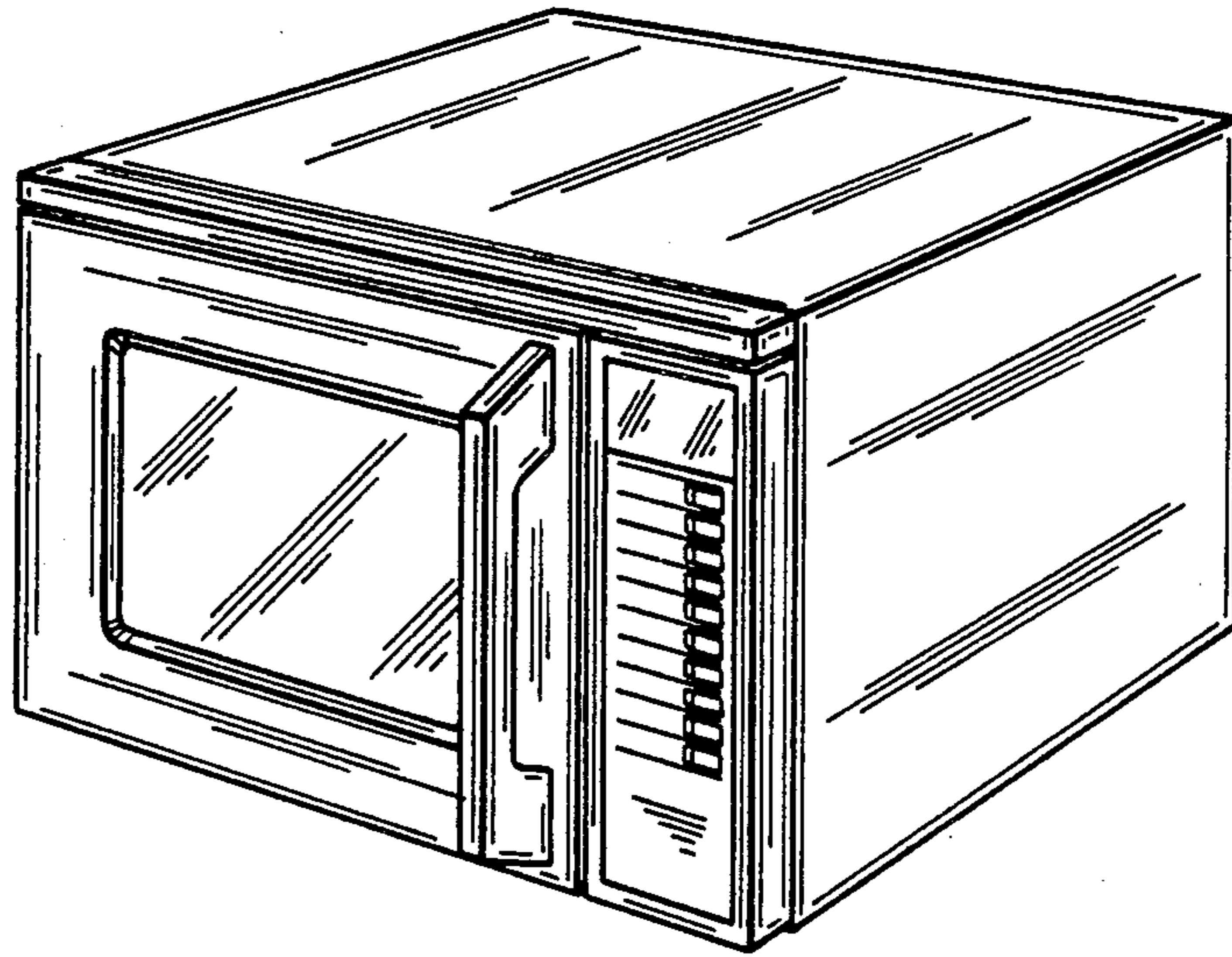
[57] **CLAIM**

The ornamental design for a microwave oven, as shown and described.

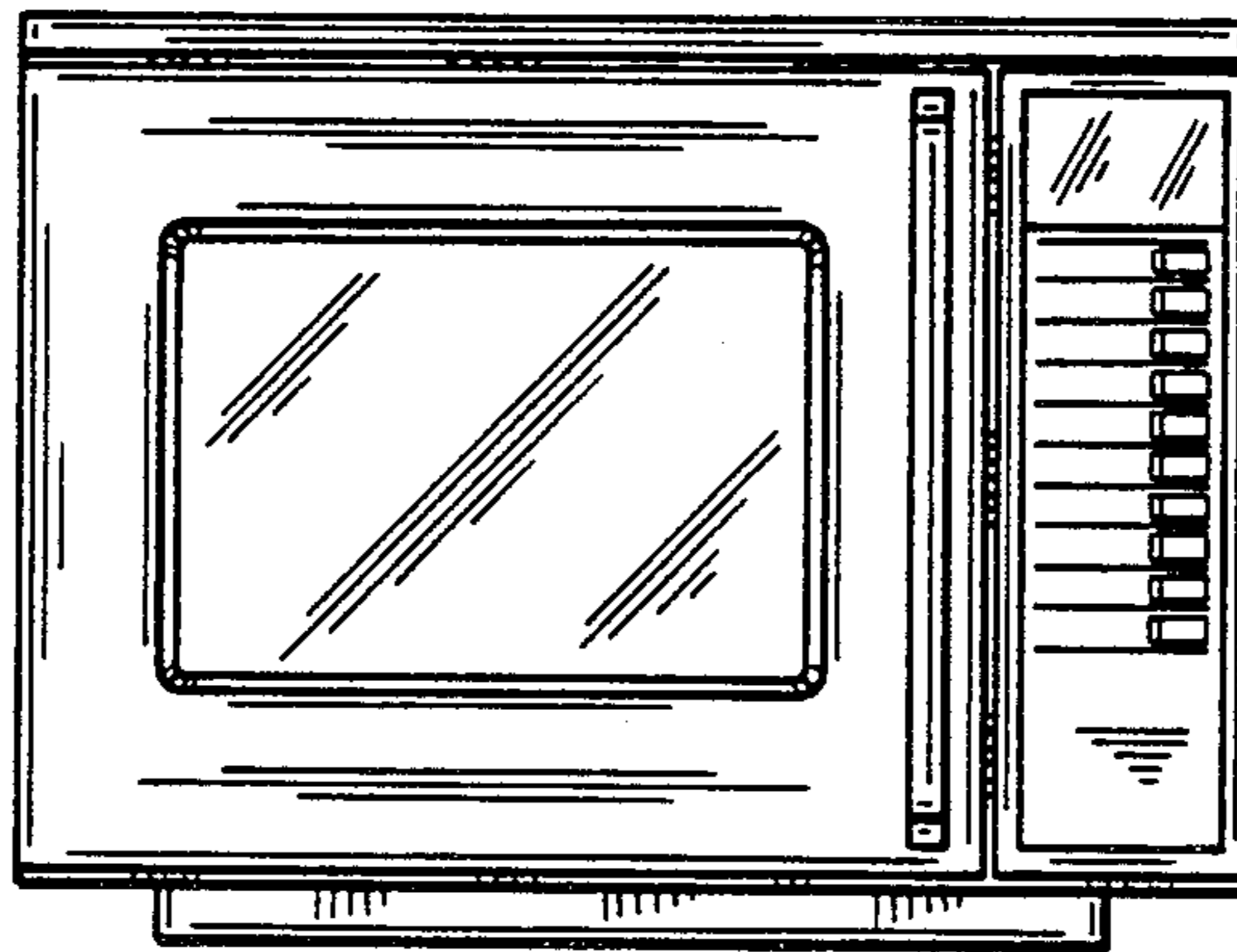
DESCRIPTION

FIG. 1 is a perspective view of the microwave oven showing my new design;
FIG. 2 is a front elevational view thereof;
FIG. 3 is a rear elevational view thereof;
FIG. 4 is a top plan view thereof;
FIG. 5 is a bottom plan view thereof;
FIG. 6 is a right side elevational view thereof; and
FIG. 7 is a left side elevational view thereof.

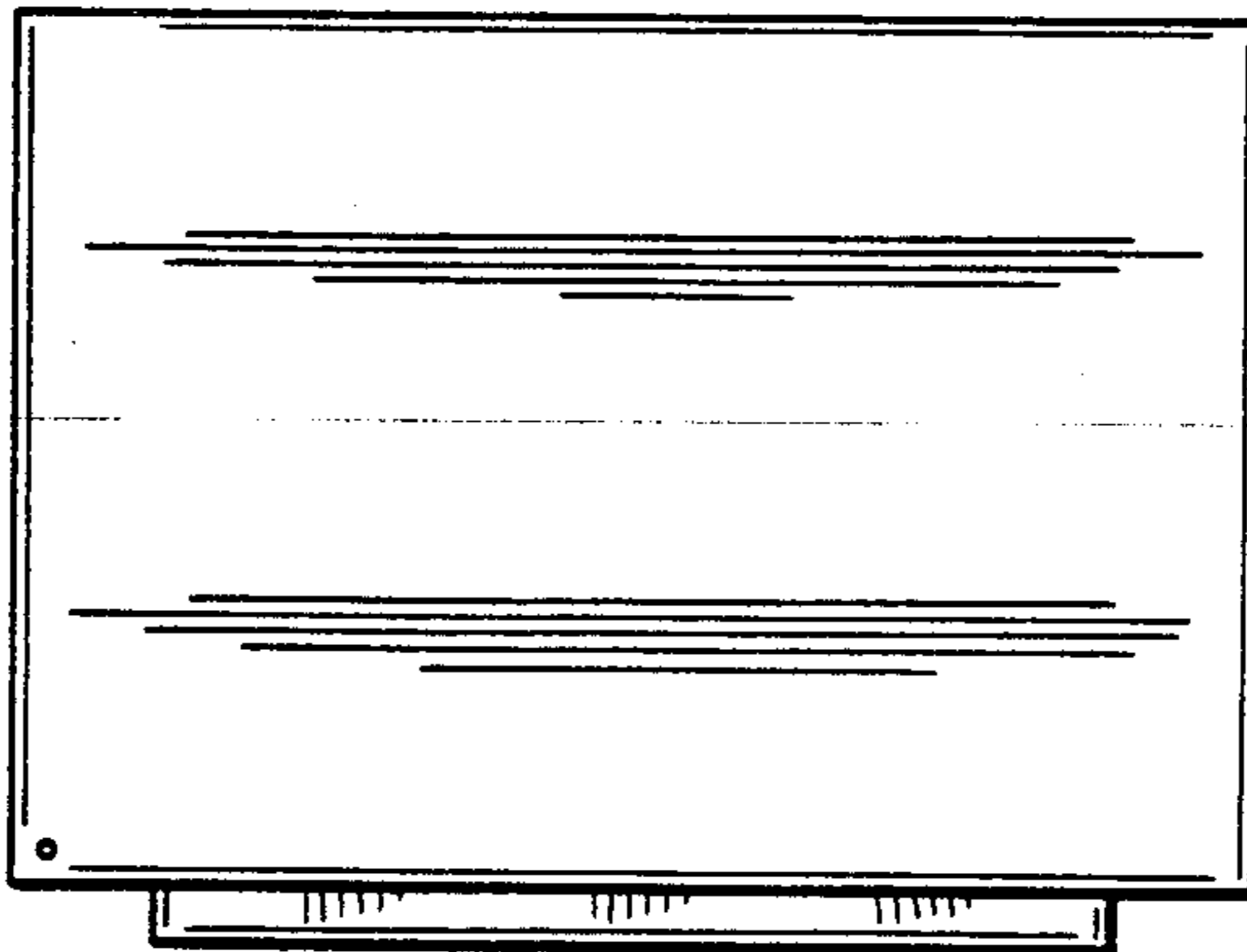




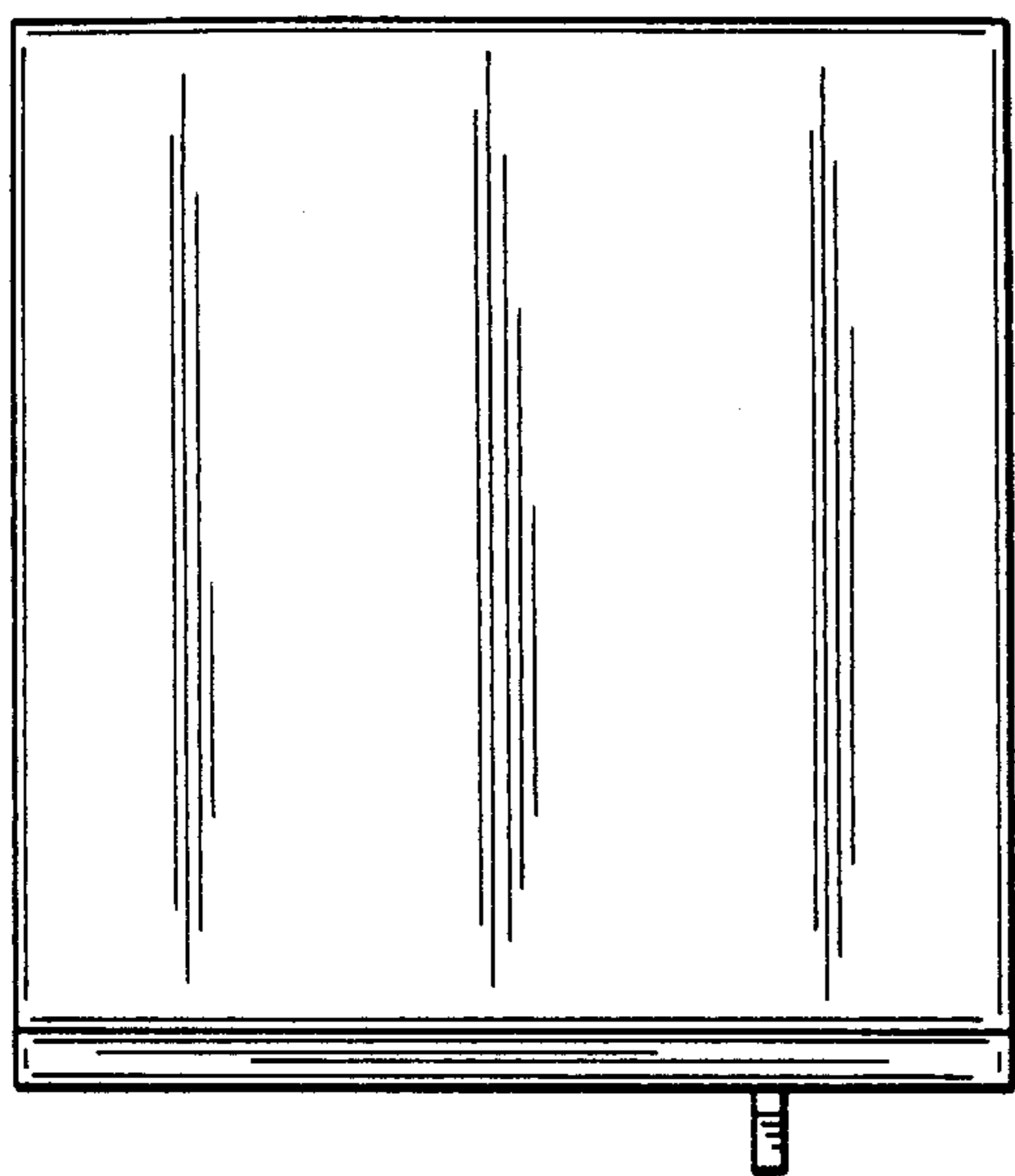
FIG_1



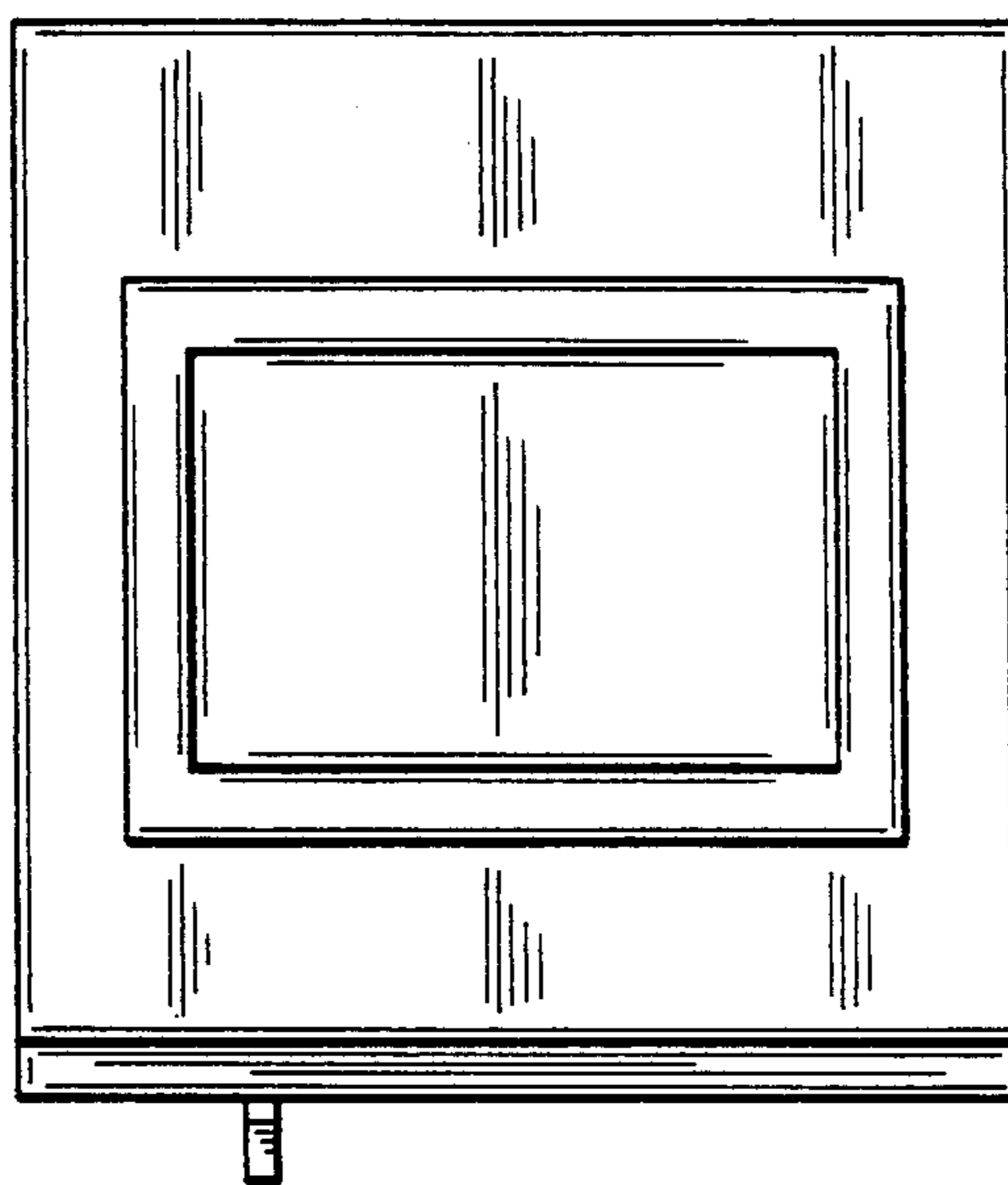
FIG_2



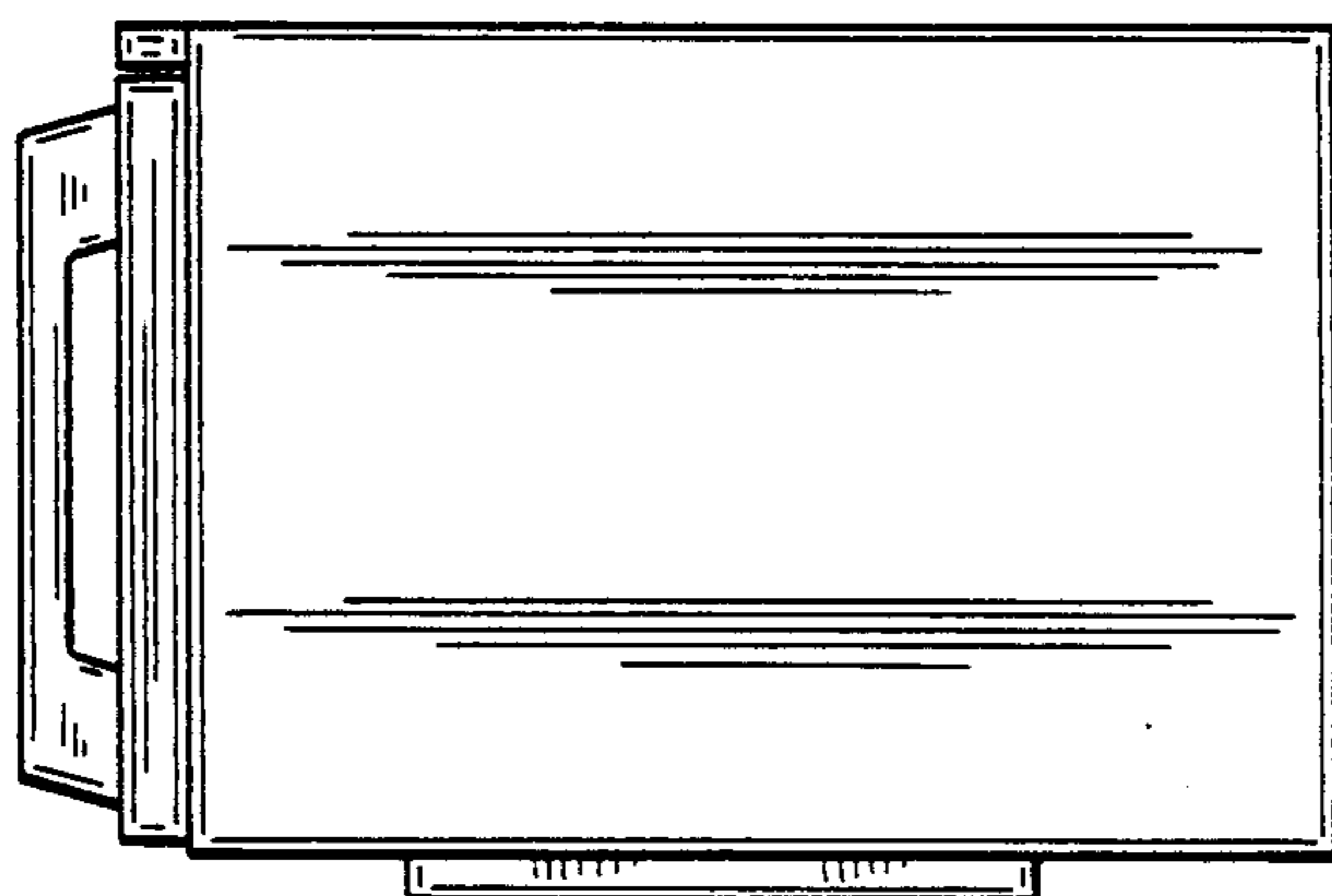
FIG_3



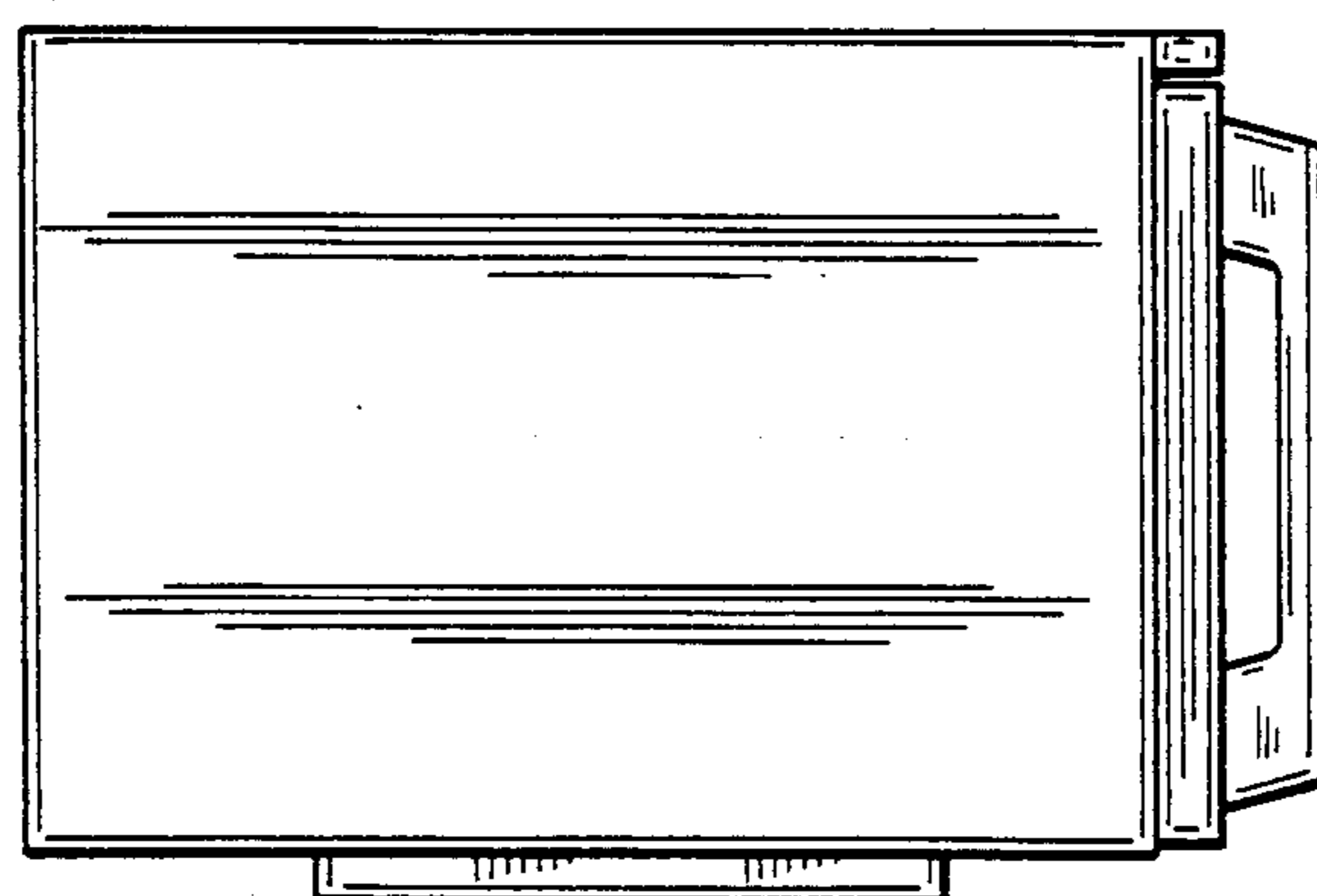
FIG_4



FIG_5



FIG_6



FIG_7