

[54] ICE CREAM SCOOP

4,392,806 7/1983 Houle ..... D7/100 X

[75] Inventor: Thomas Bovet, Hong Kong, Hong Kong

Primary Examiner—Bernard Ansher  
Assistant Examiner—Terry Pfeffer  
Attorney, Agent, or Firm—Townsend & Townsend

[73] Assignee: Mike & Kremmel Ltd., Kowloon, Hong Kong

[57] CLAIM

[\*\*] Term: 14 Years

The ornamental design for an ice cream scoop, as shown and described.

[21] Appl. No.: 711,123

DESCRIPTION

[22] Filed: Mar. 12, 1985

[52] U.S. Cl. .... D7/100; D7/164

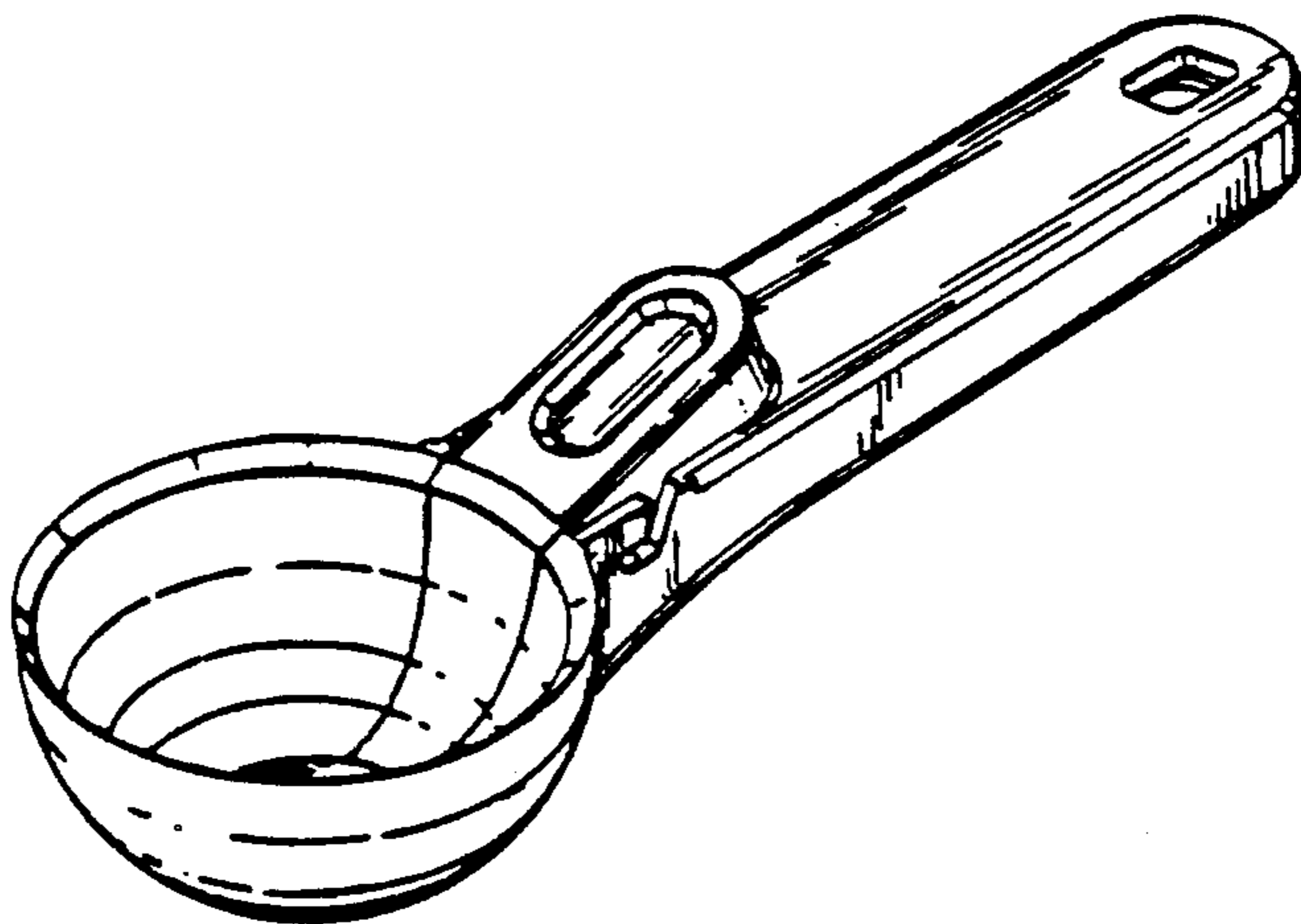
[58] Field of Search ..... D7/99, 100, 101-106; 295/55; 425/276, 286

FIG. 1 is a left side elevational view of an ice cream scoop showing my new design;  
FIG. 2 is a top plan view thereof;  
FIG. 3 is a bottom plan view thereof;  
FIG. 4 is a top, front, right side perspective view thereof;  
FIG. 5 is a rear elevational view thereof; and  
FIG. 6 is a top, front, right side perspective view thereof showing the eject lever depressed.

[56] References Cited

U.S. PATENT DOCUMENTS

D. 222,100 9/1971 Kord ..... D7/100



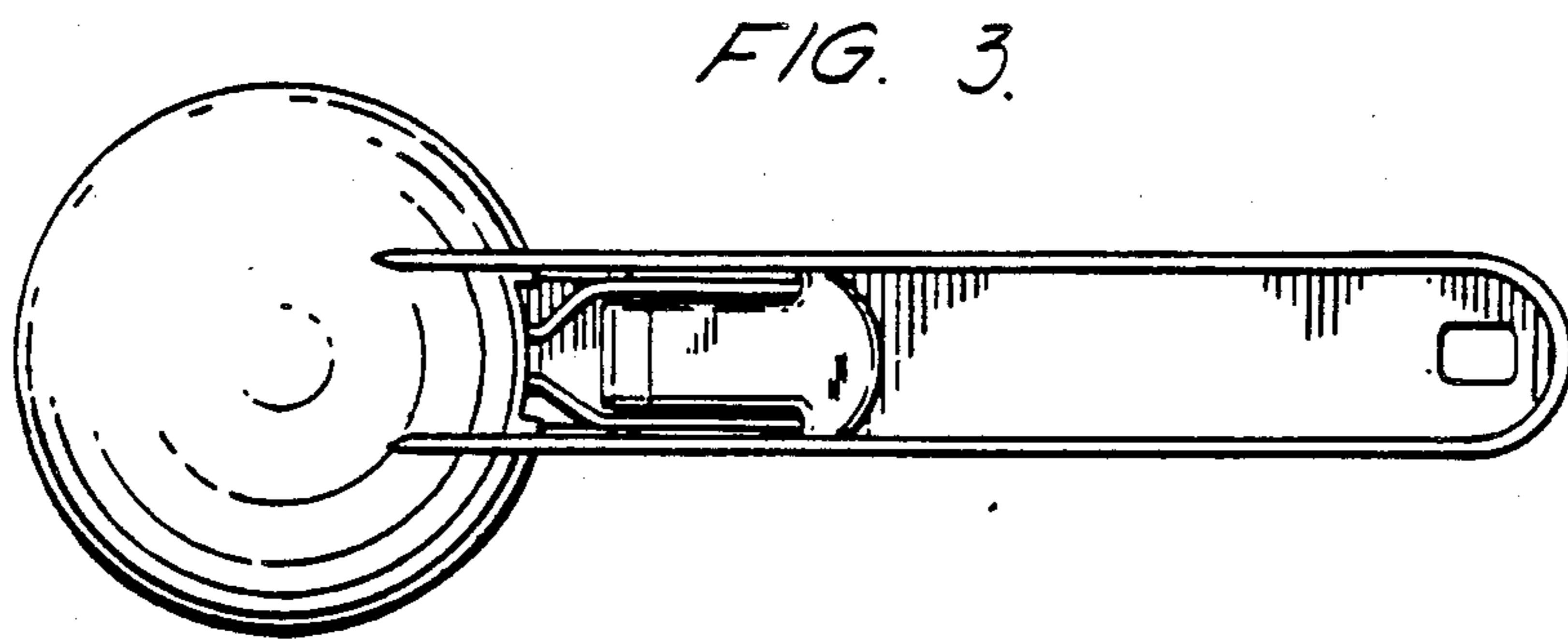
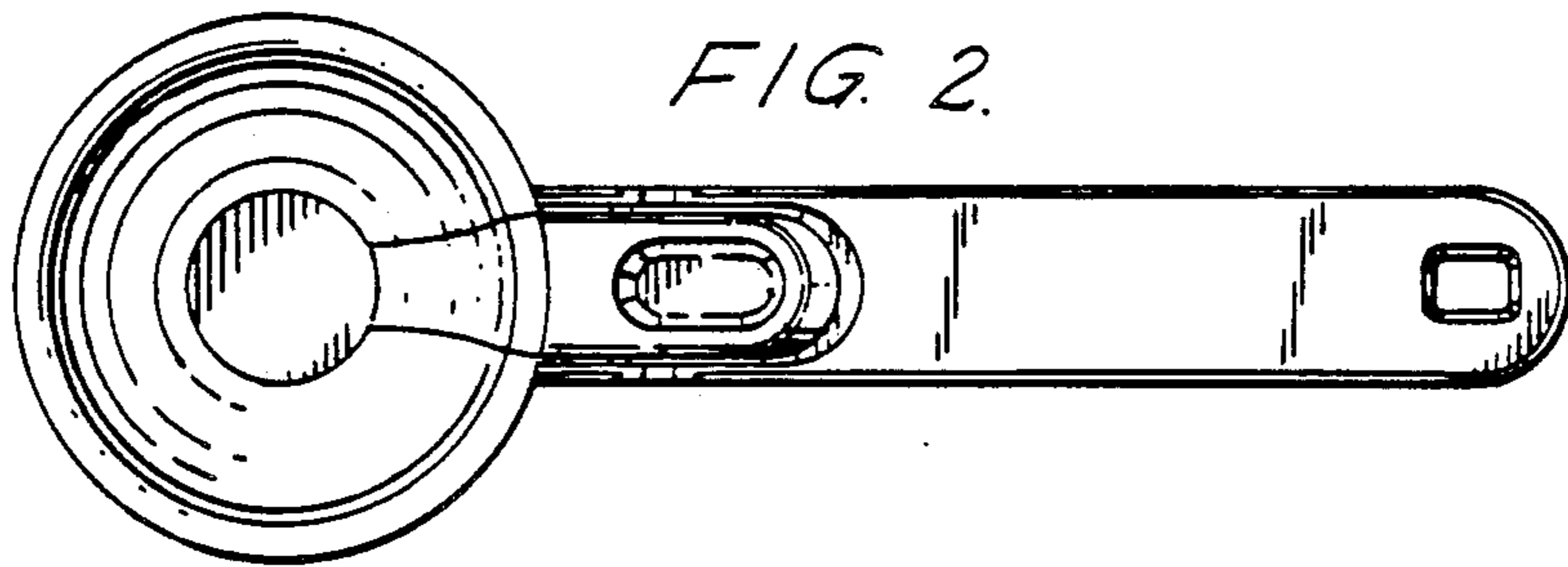
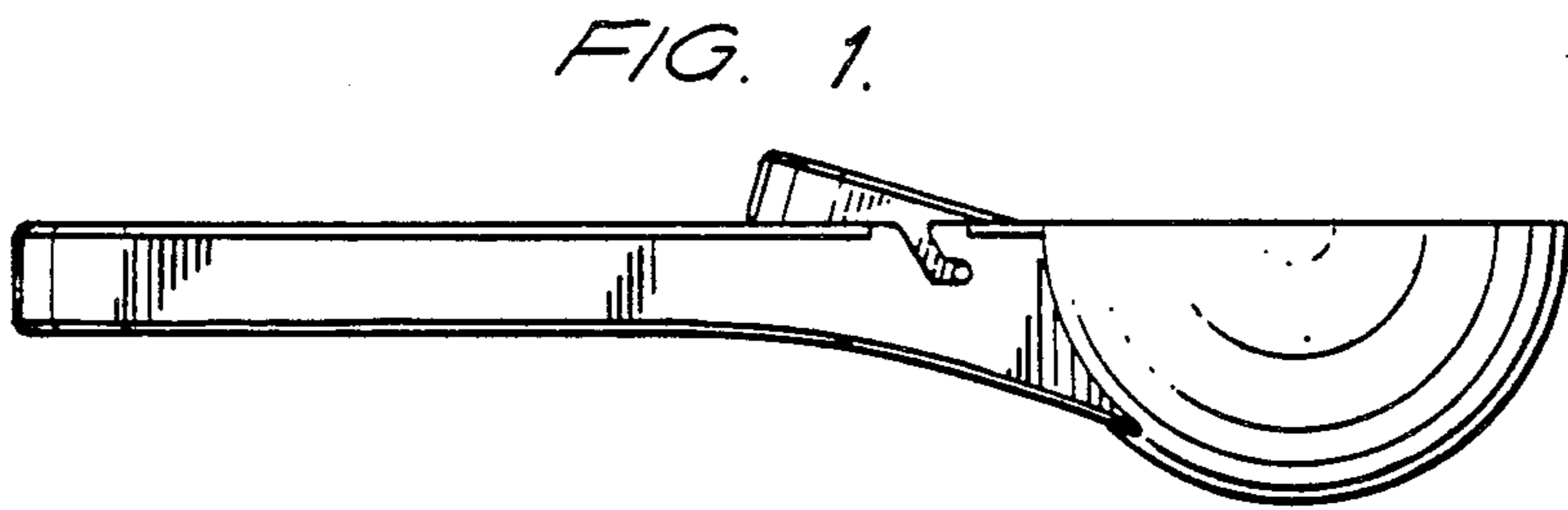
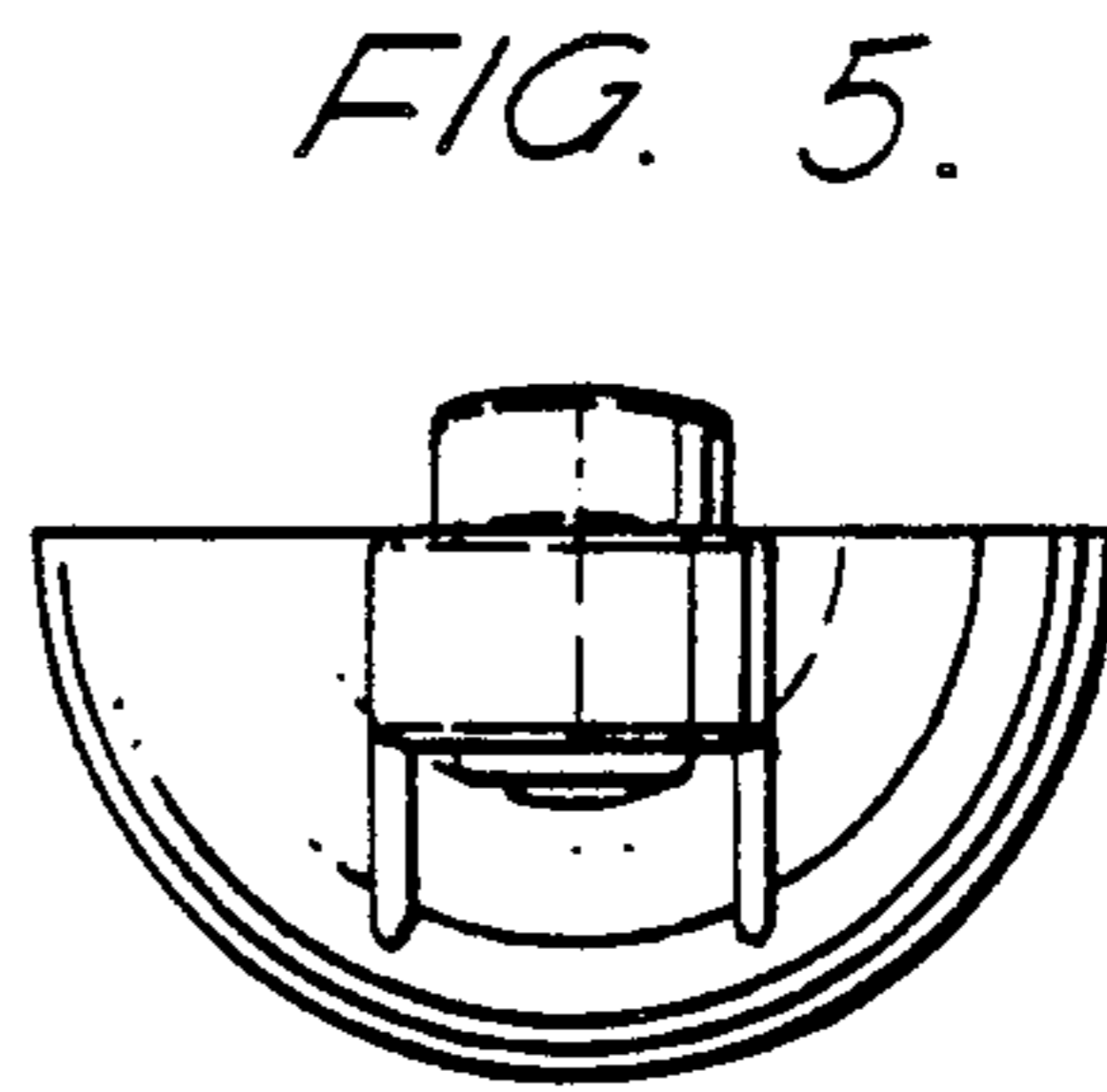
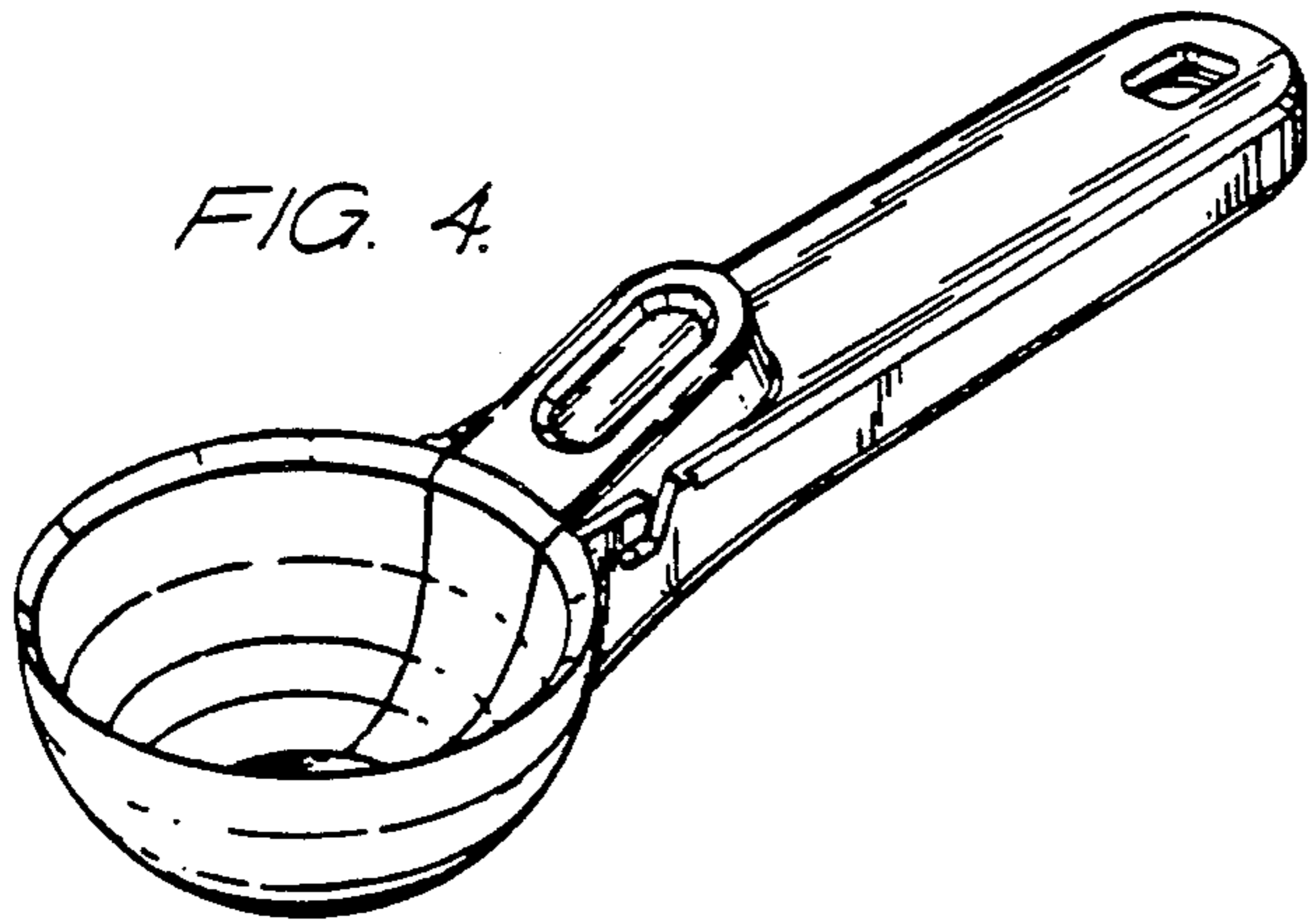


FIG. 6.

