

- [54] **STEMMED WINE GLASS OR SIMILAR ARTICLE**
- [76] Inventor: **Jean-Jacques Durand**, LaBute 62510, Arques, France
- [\*\*] Term: **14 Years**
- [21] Appl. No.: **766,338**
- [22] Filed: **Aug. 16, 1985**
- [52] U.S. Cl. .... **D7/11; D7/14**
- [58] Field of Search ..... **D7/6, 11-13, D7/14, 15, 22**

- [56] **References Cited**
  - U.S. PATENT DOCUMENTS**
  - D. 286,241 10/1986 Blake ..... D7/11
  - D. 289,718 5/1987 Durand ..... D7/13 X

**OTHER PUBLICATIONS**  
*Gifts & Tableware*, Dec., 1978, p. 106, "Longchamp" by J. G. Durand—Goblet at far left.

*Tableware International*, Aug., 1979, p. 14, Panel #1 at top, "Victoria" by J. G. Durand, center Goblet.

*Primary Examiner*—Winifred E. Herrmann  
*Attorney, Agent, or Firm*—Kimmel, Crowell & Weaver

[57] **CLAIM**

The ornamental design for a stemmed wine glass or similar article, substantially as shown and described.

**DESCRIPTION**

FIG. 1 is a side elevational view of a stemmed wine glass or similar article showing my new design, all sides being similar;

FIG. 2 is a top plan view thereof with the facets which would be seen from the interior having been omitted for clarity of illustration;

FIG. 3 is a vertical cross-sectional view thereof taken along line 3—3 of FIG. 2 with the upper panels which would be seen in transparency having been omitted for clarity of illustration; and

FIG. 4 is a horizontal cross-sectional view thereof taken along line 4—4 of FIG. 3.

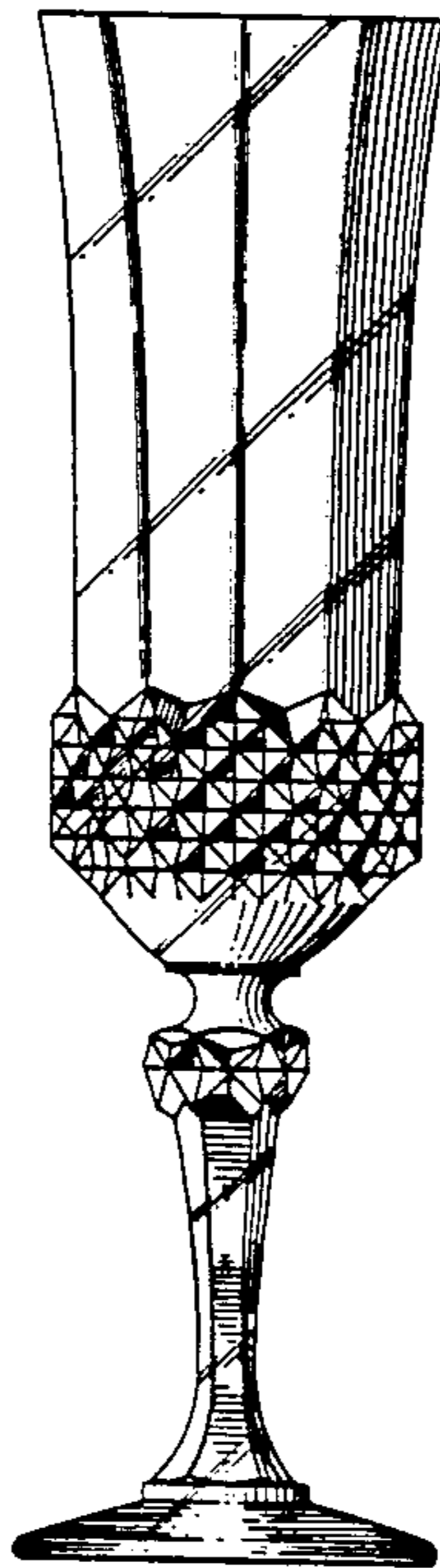


FIG. 1.

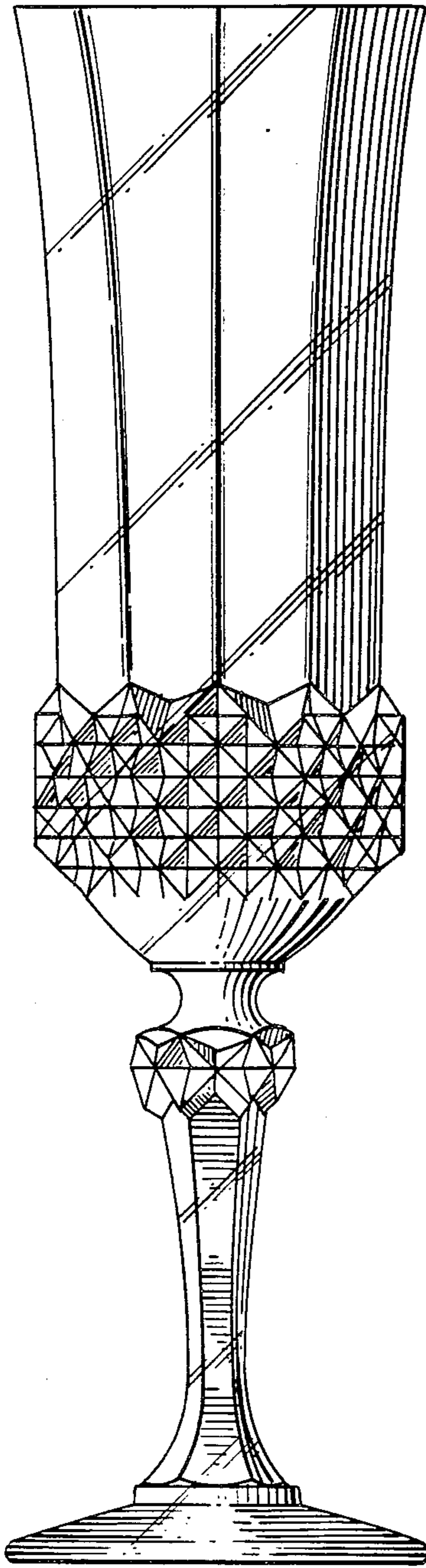


FIG. 3.

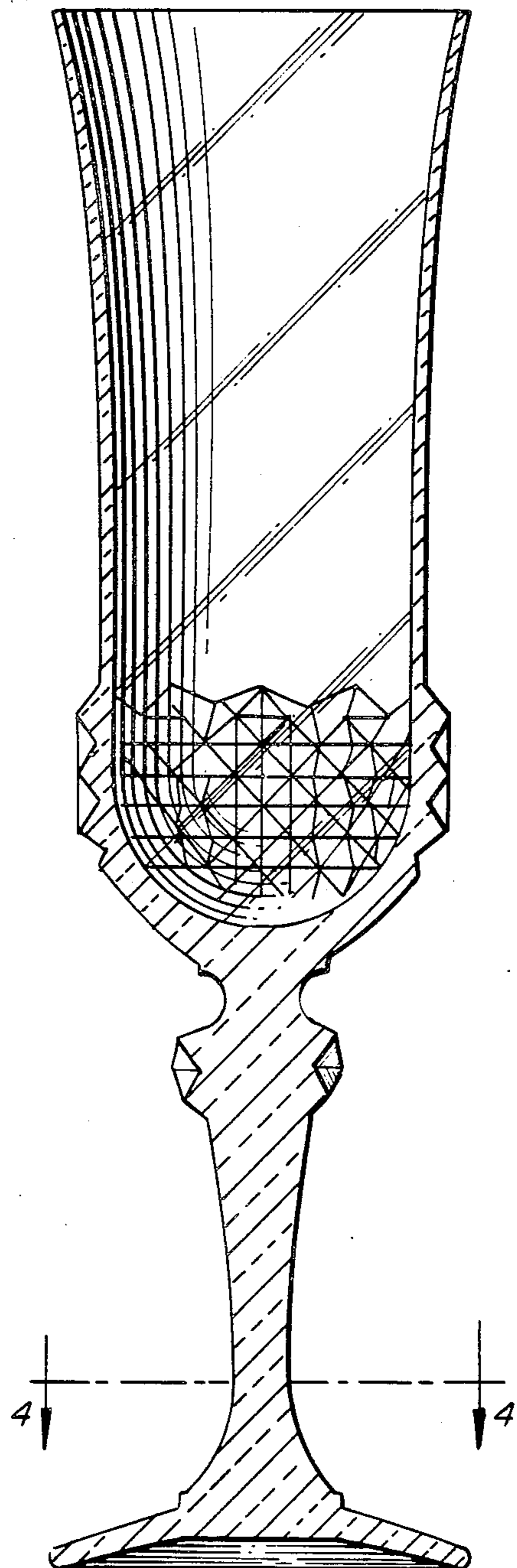


FIG. 2.

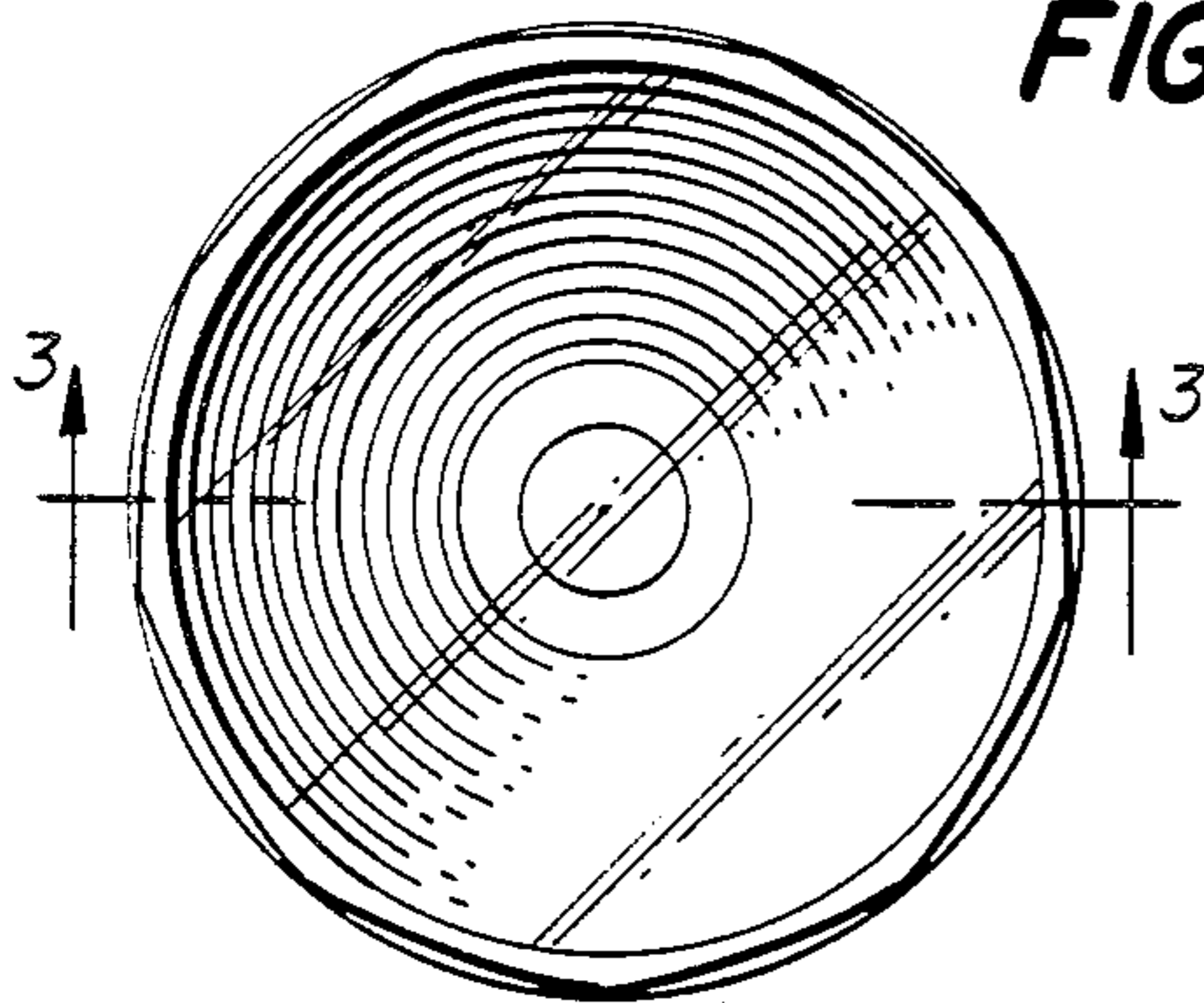


FIG. 4.

