

[54] TOWEL HOLDER SUPPORT BASE

[75] Inventor: Raymond U. H. Tegner, Lodi, Wis.

[73] Assignee: Amerock Corporation, Rockford, Ill.

[\*\*] Term: 14 Years

[21] Appl. No.: 791,904

[22] Filed: Oct. 28, 1985

[52] U.S. Cl. .... D6/550; D8/363

[58] Field of Search ..... D6/524, 546-549; D8/350, 353, 363, 373; 248/201, 251; 211/13, 105.1

[56] References Cited

U.S. PATENT DOCUMENTS

D. 120,972	6/1940	Desser	.....	D6/550
D. 232,988	10/1974	Tegner	.	
D. 237,044	10/1975	Mori	.....	D8/353
D. 251,462	4/1979	Tegner	.	
D. 251,882	5/1979	Tegner	.	
D. 253,380	11/1979	Pittenger	.	
D. 261,204	10/1981	Shames et al.	.....	D6/550

Primary Examiner—B. J. Bullock

Attorney, Agent, or Firm—Leydig, Voit & Mayer

[57] CLAIM

The ornamental design for a towel holder support base, as shown and described.

DESCRIPTION

FIG. 1 is a front view of a towel holder support base showing my new design as incorporated in a support base for a towel ring.

FIG. 2 is a side view as seen from the right of FIG. 1.

FIG. 3 is a bottom view of FIG. 1.

FIG. 4 is an enlarged sectional view taken in the direction of the arrows on line 4—4 of FIG. 1;

FIG. 5 is an enlarged sectional view taken in the direction of the arrows on line 5—5 of FIG. 1;

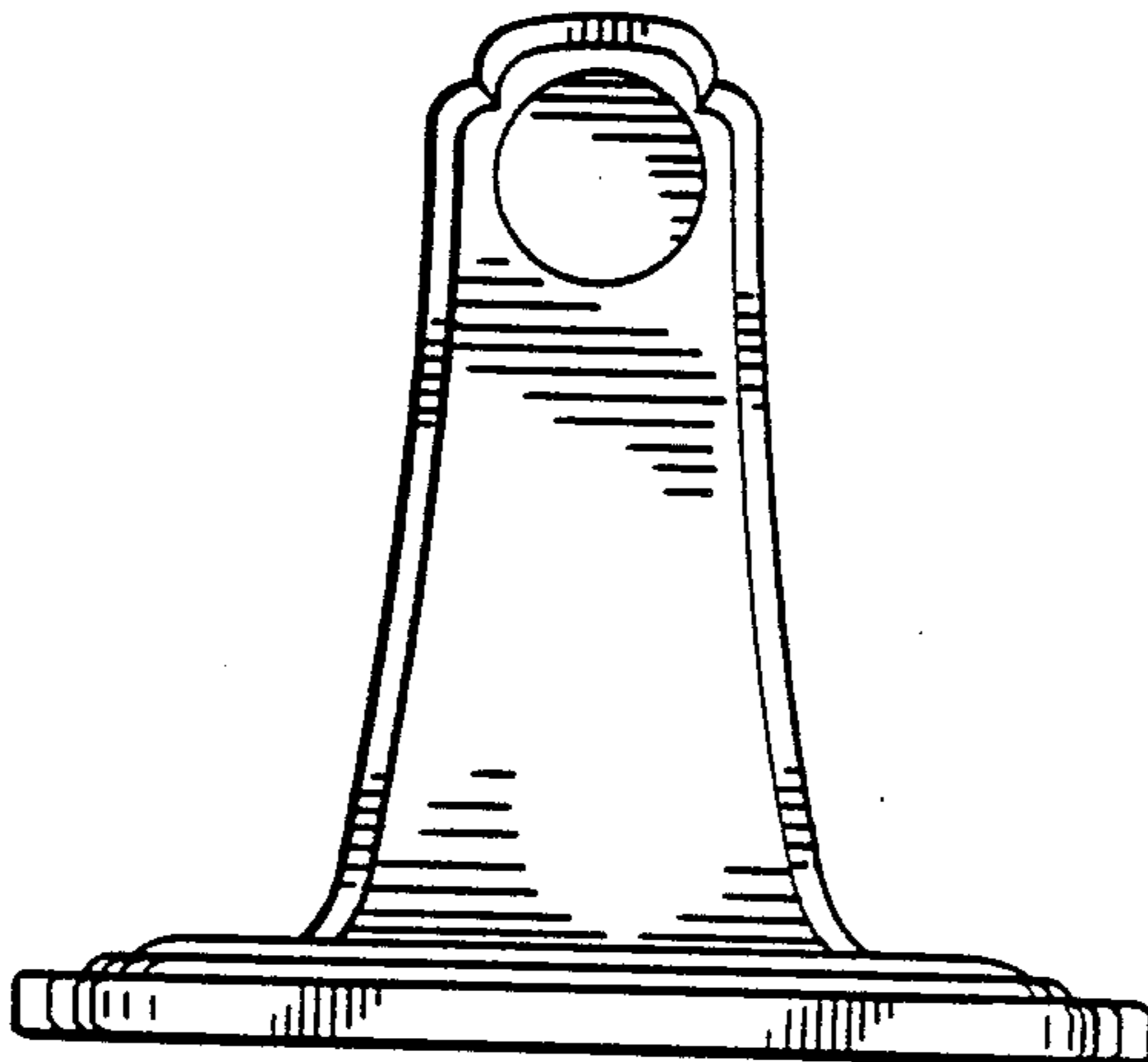
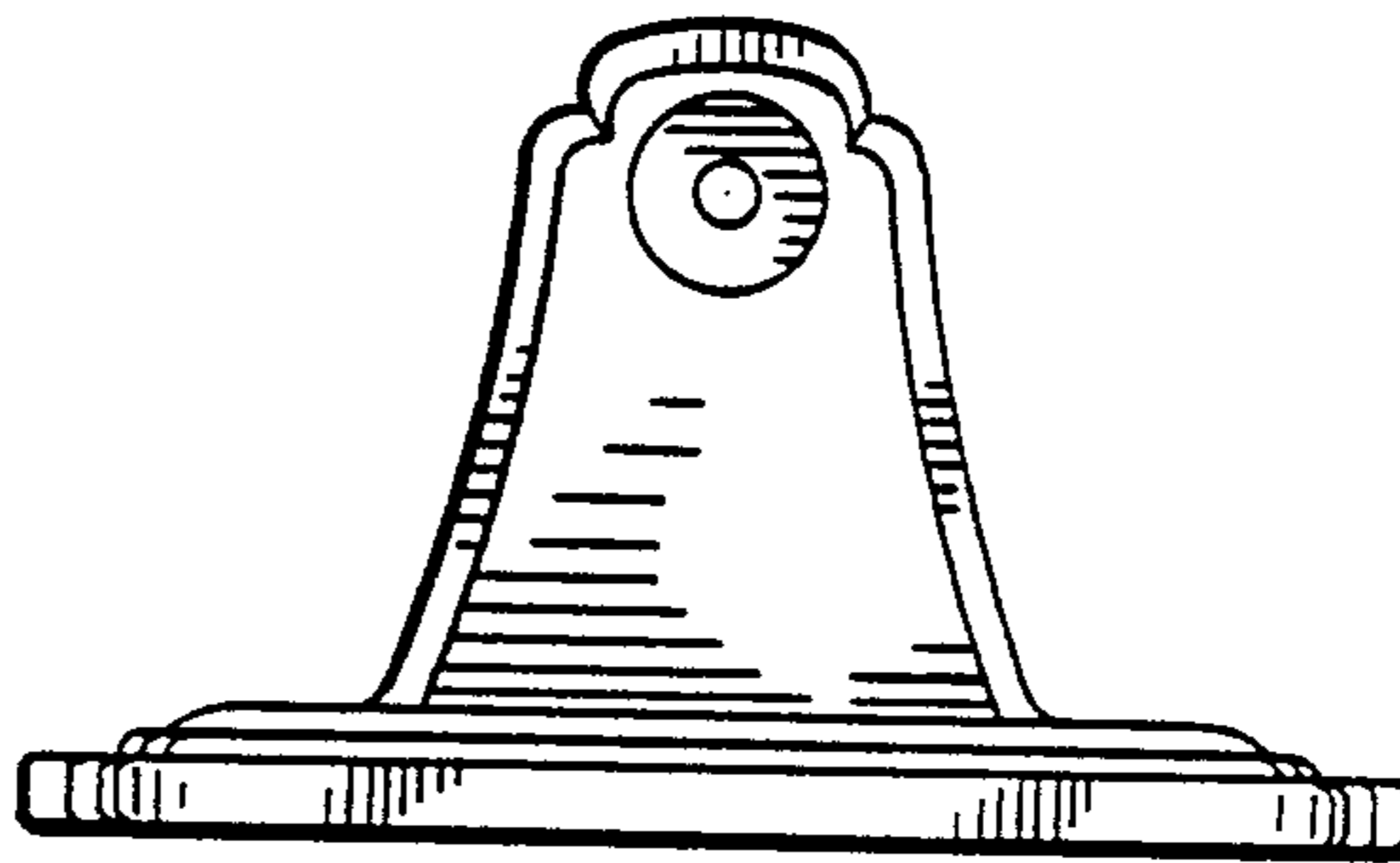
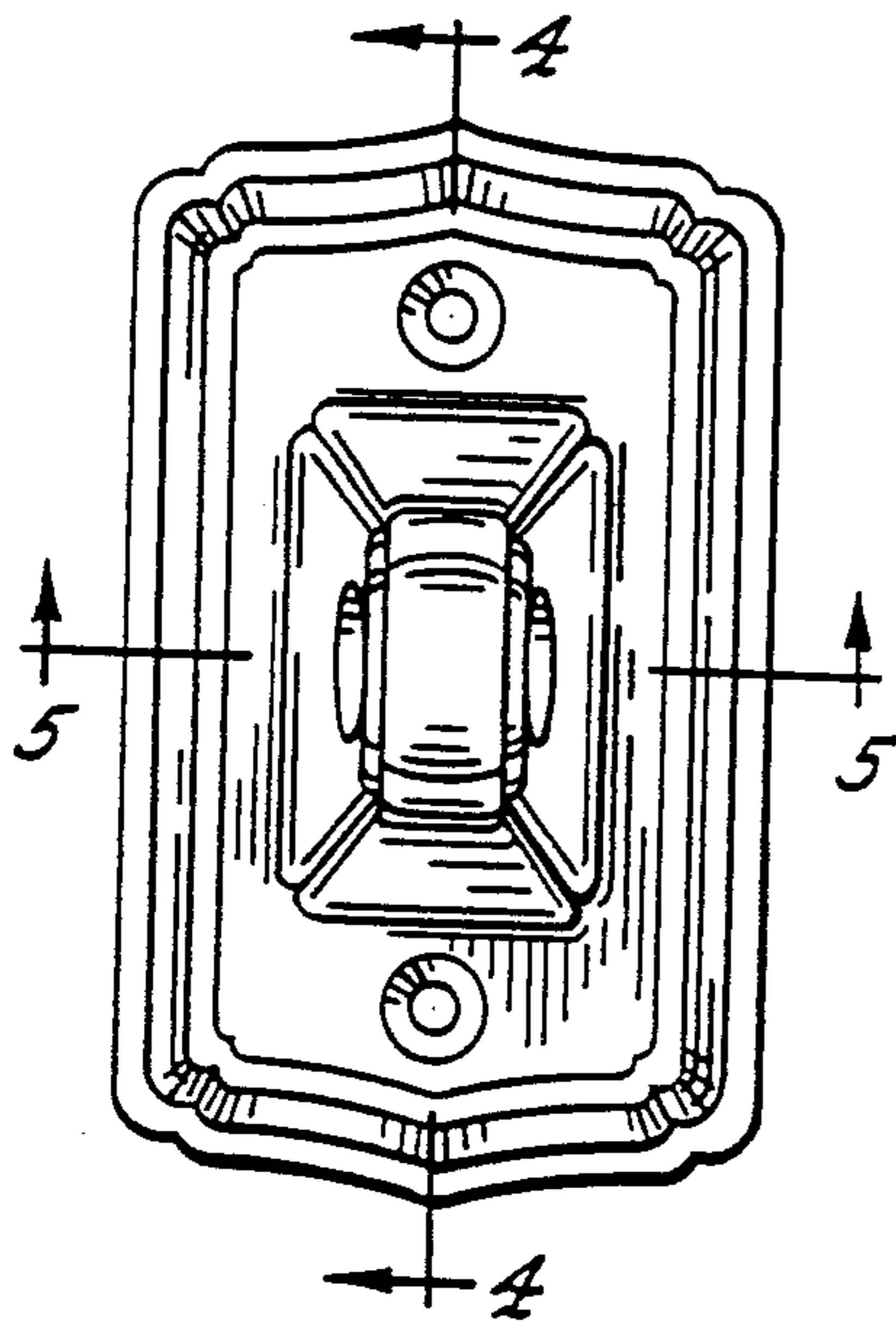
FIG. 6 is a modified form of a towel holder support base showing my new design as incorporated in a support base for a towel bar.

FIG. 7 is a side view as seen from the right of FIG. 6.

FIG. 8 is a bottom view of FIG. 6.

FIG. 9 is an enlarged sectional view taken in the direction of the arrows on line 9—9 of FIG. 6;

FIG. 10 is an enlarged sectional view taken in the direction of the arrows on line 10—10 of FIG. 6.



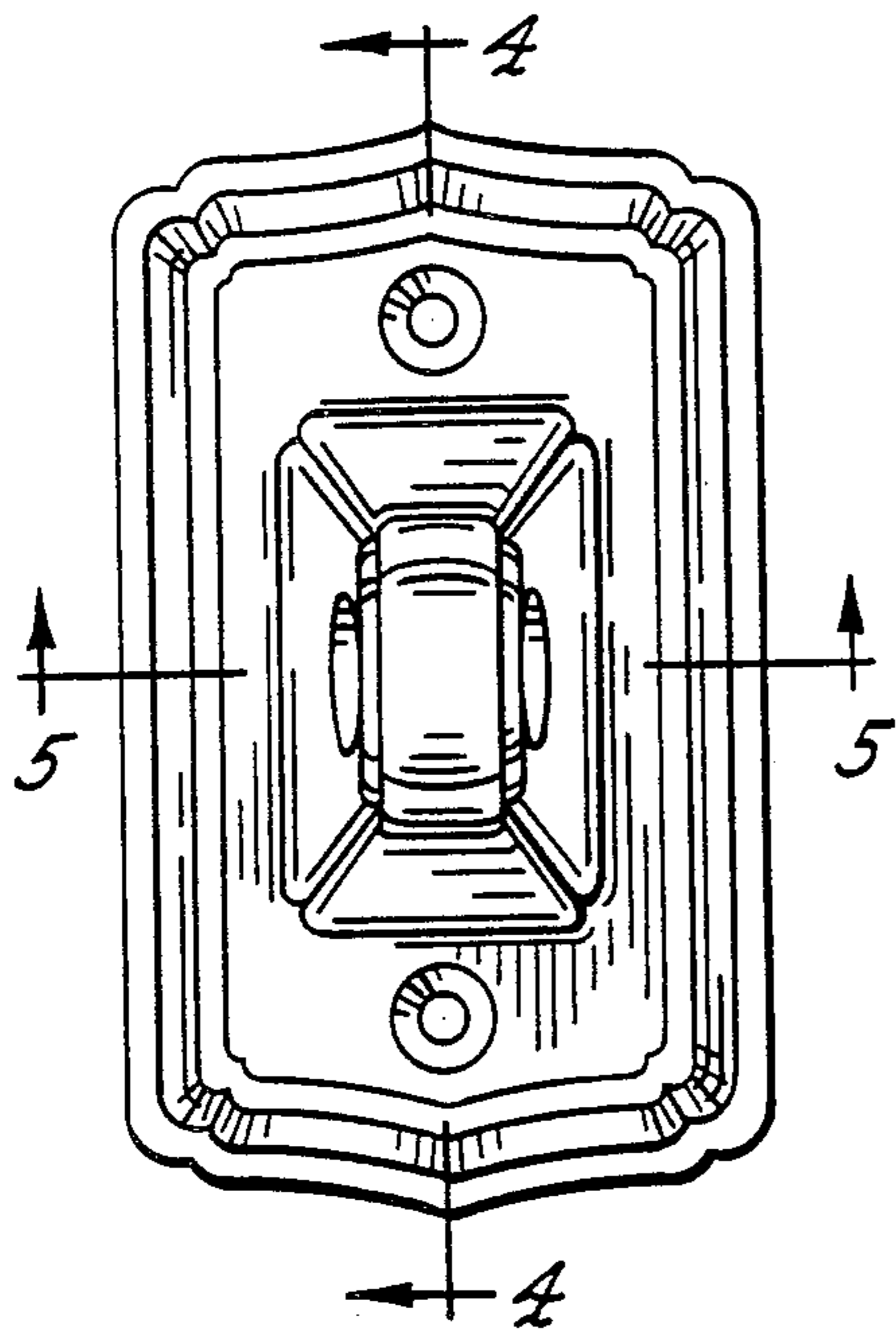


FIG. 1.

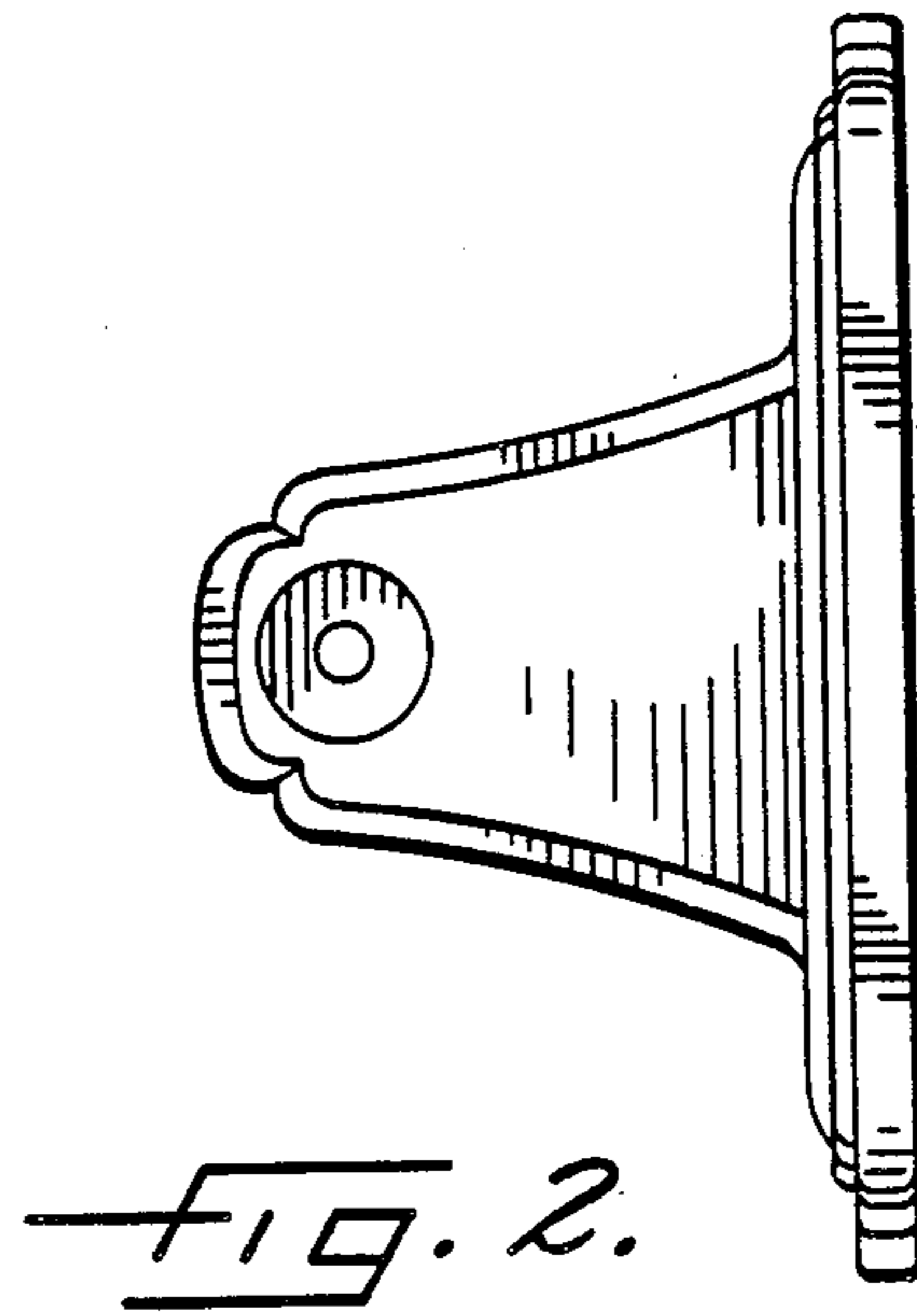


FIG. 2.

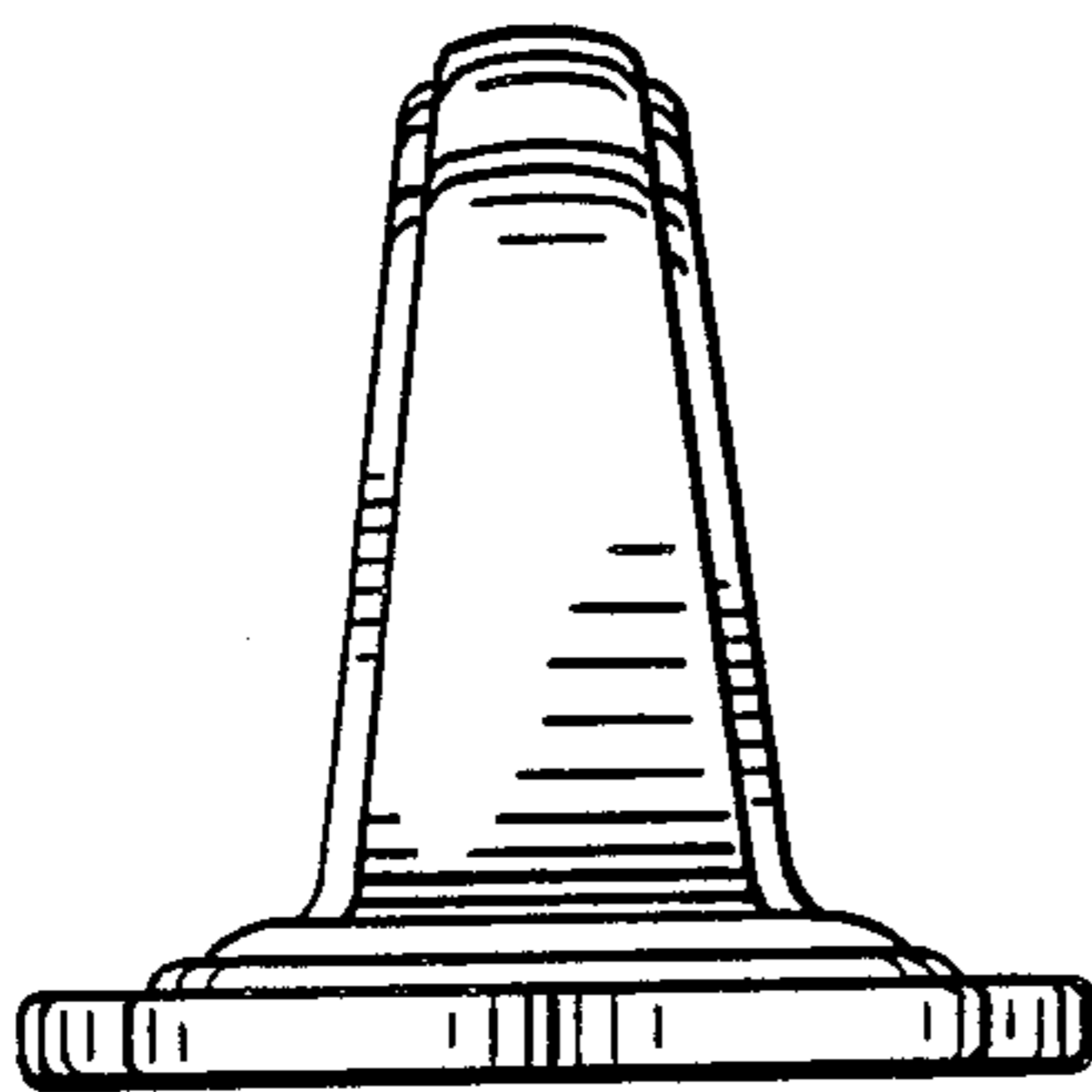


FIG. 3.

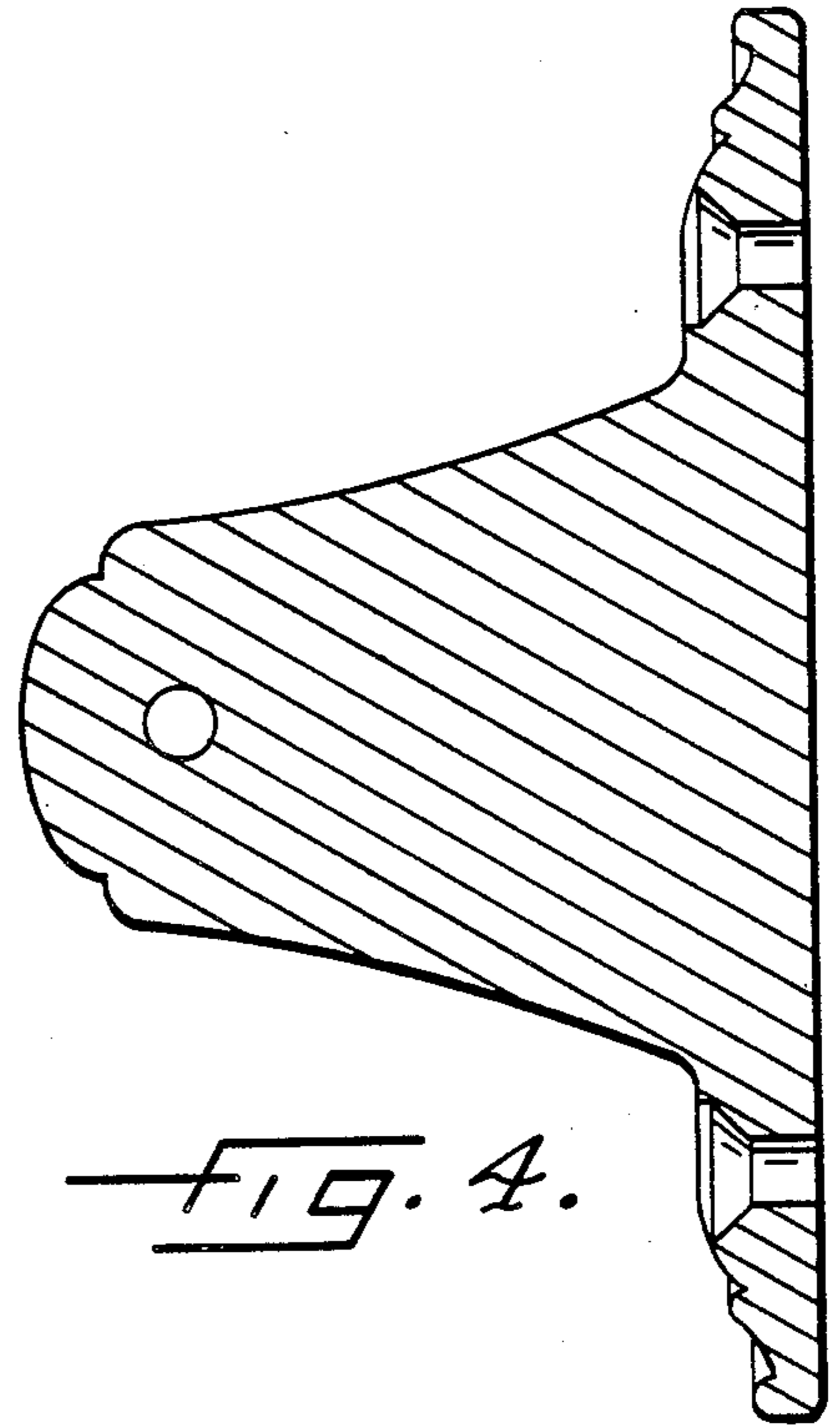


FIG. 4.

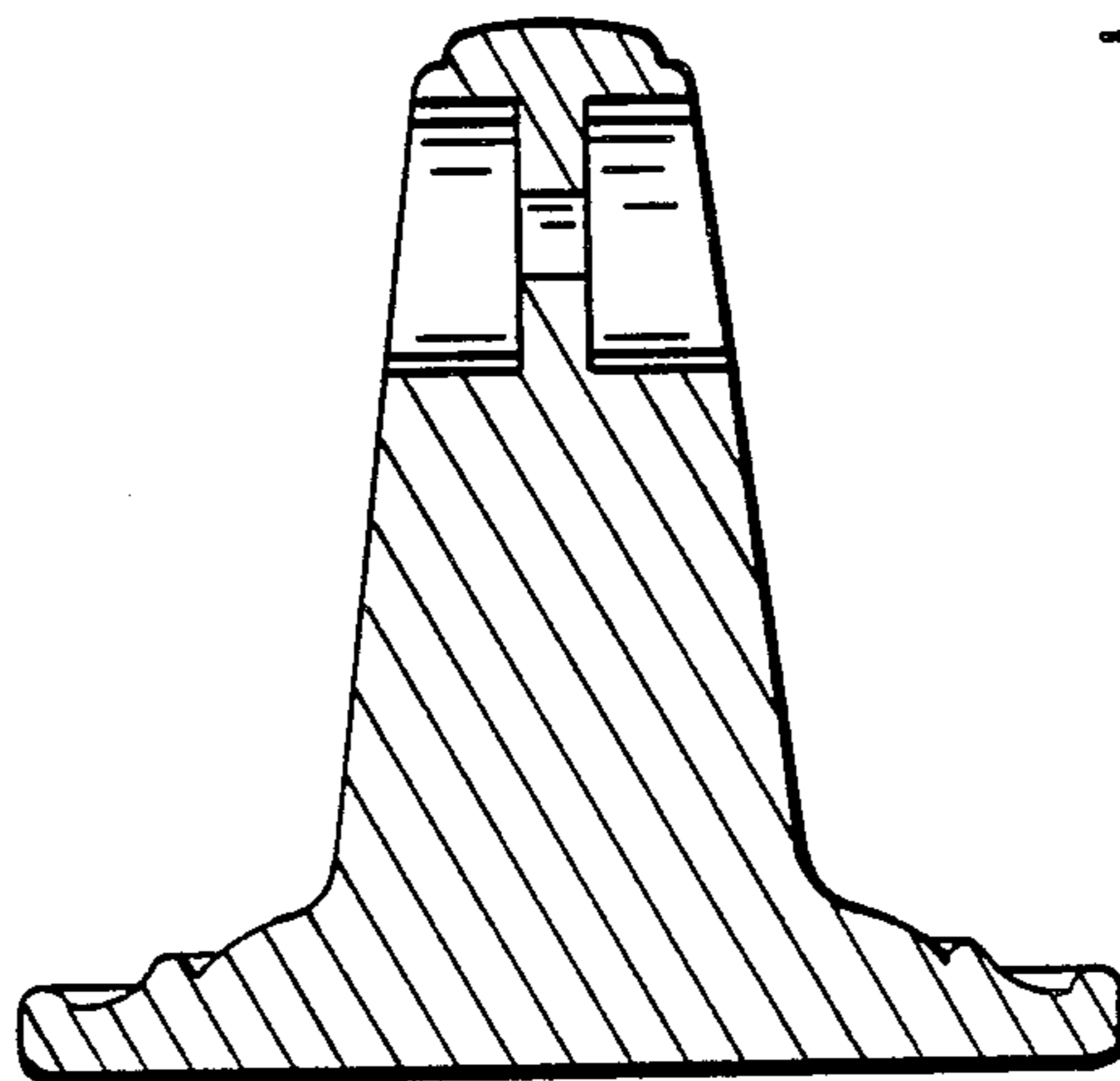


FIG. 5.

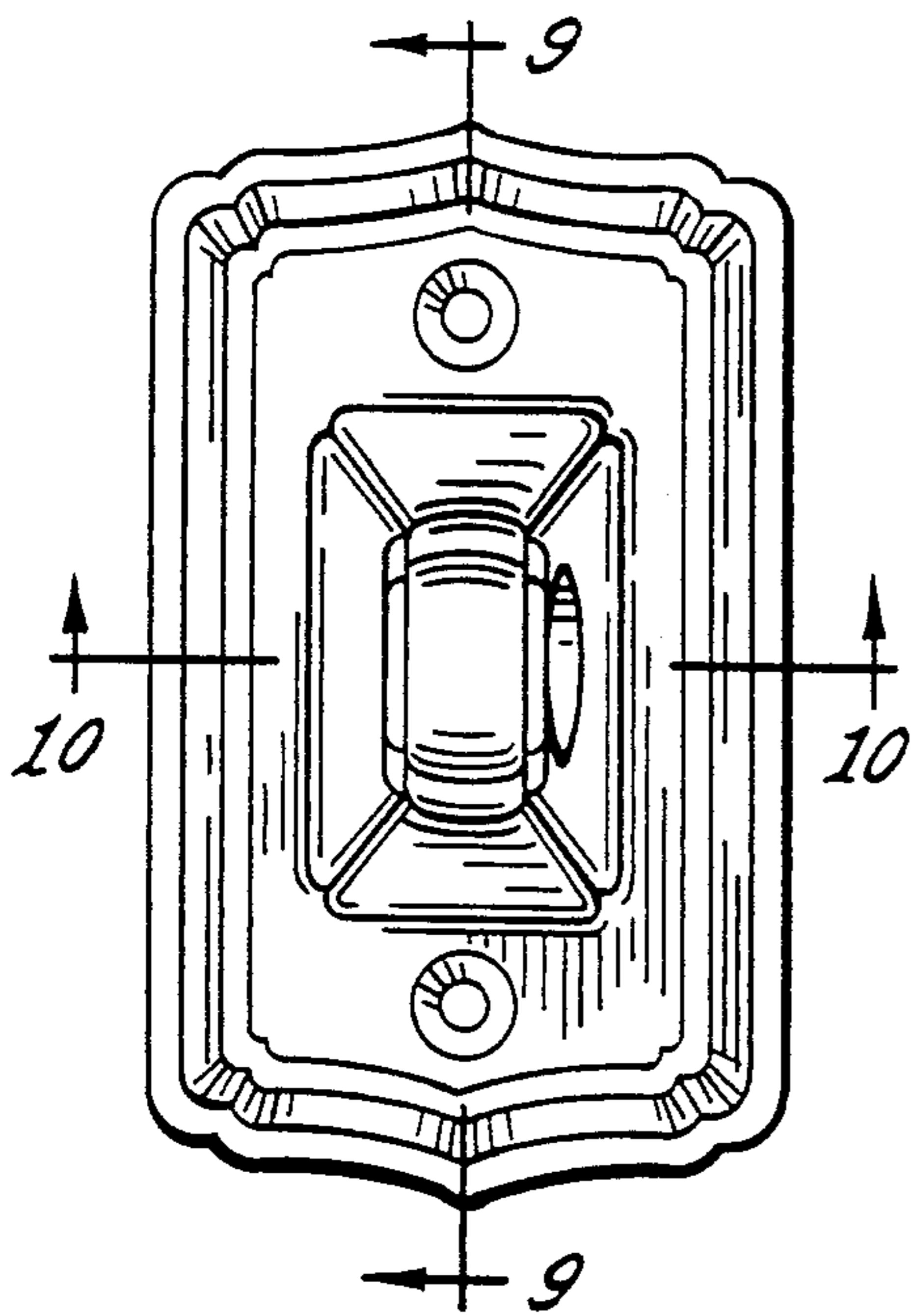


FIG. 6.

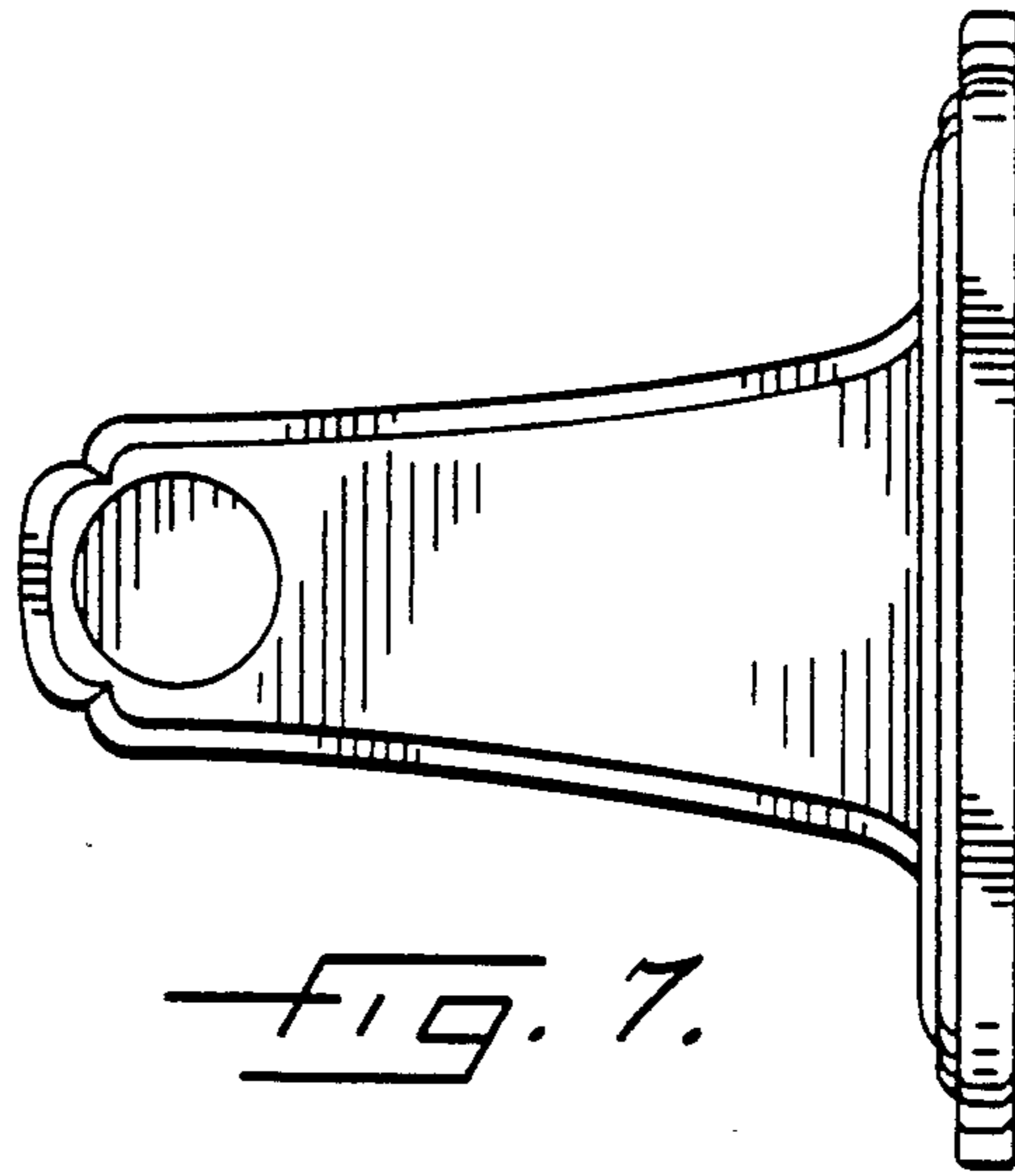


FIG. 7.

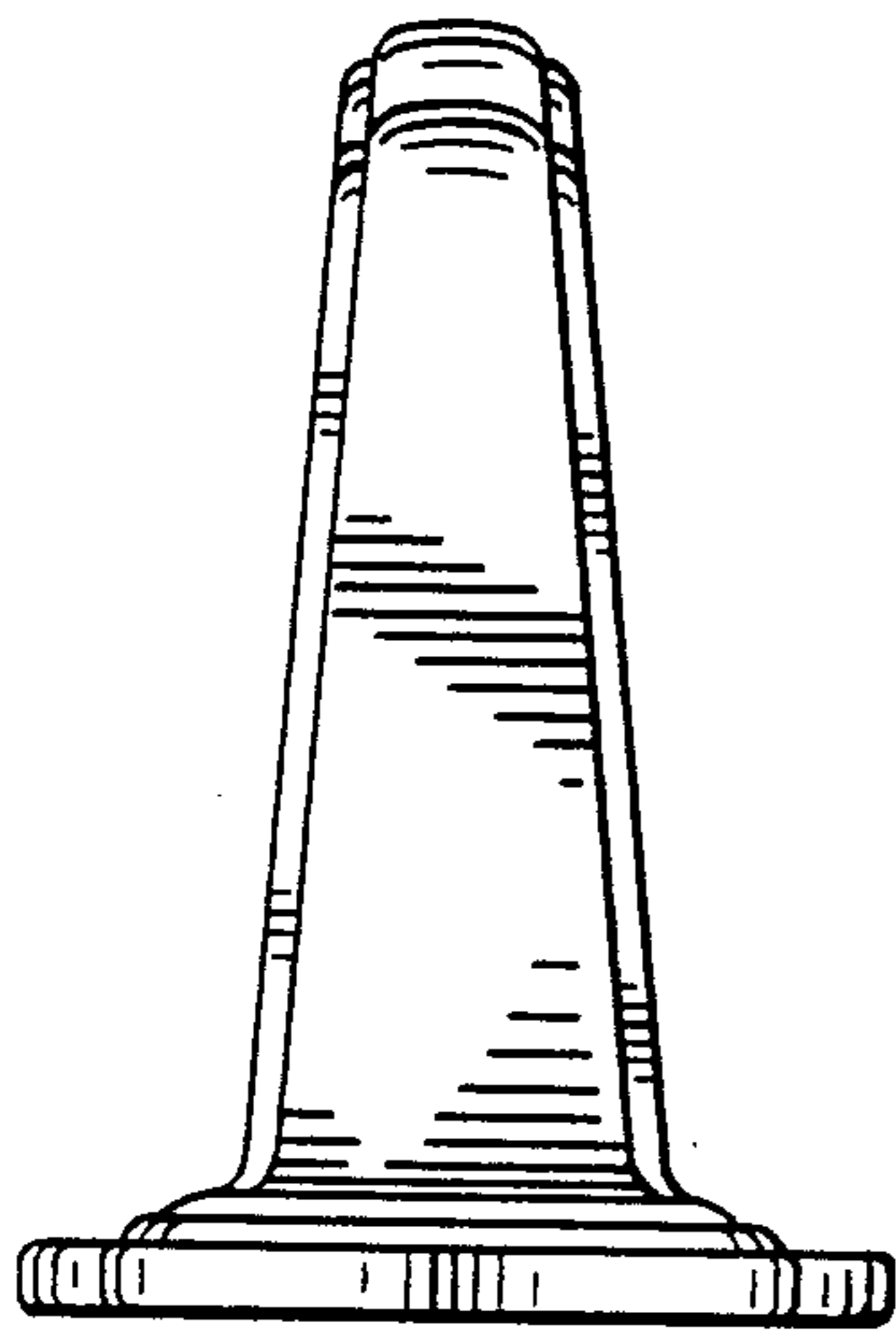


FIG. 8.

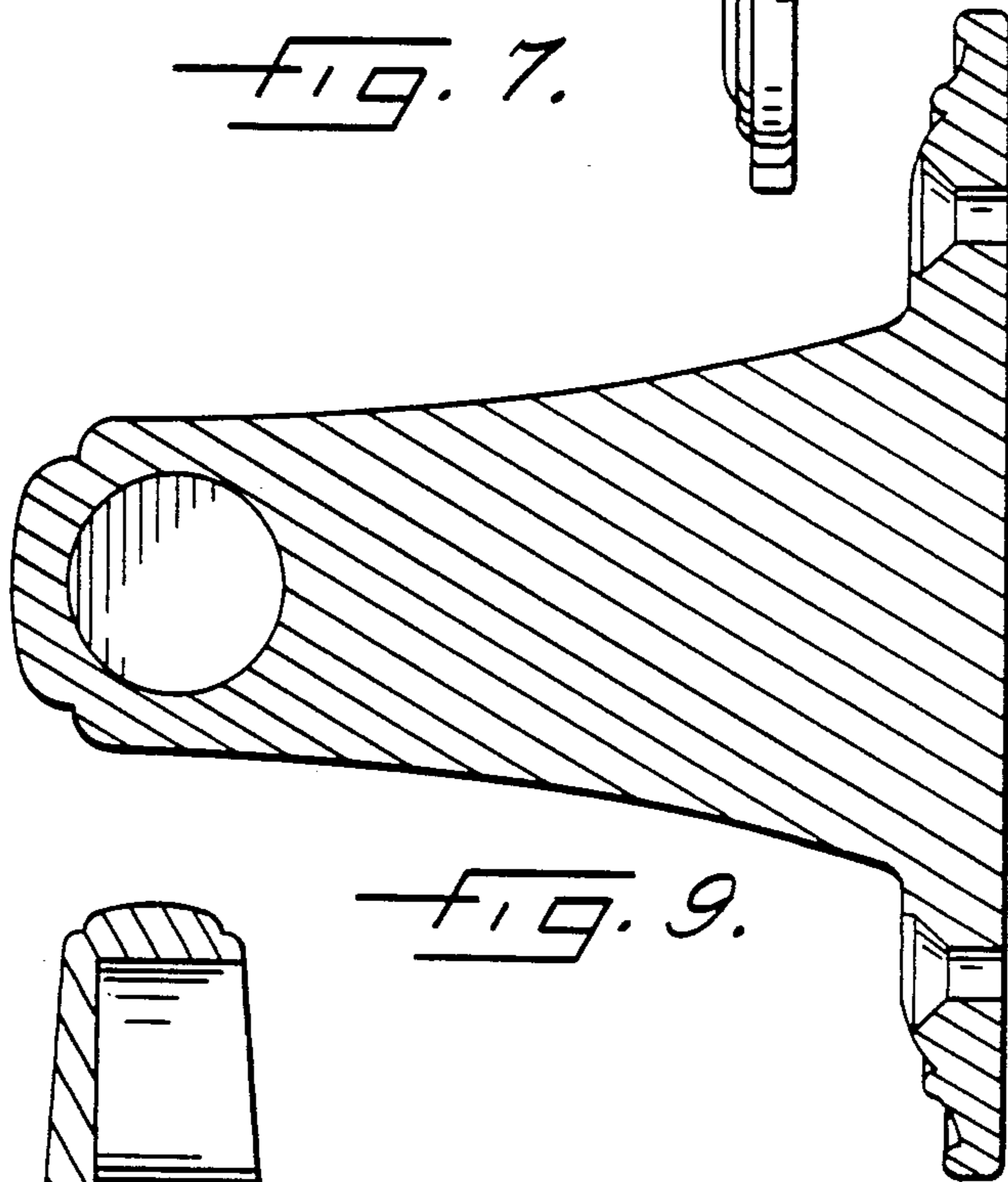


FIG. 9.

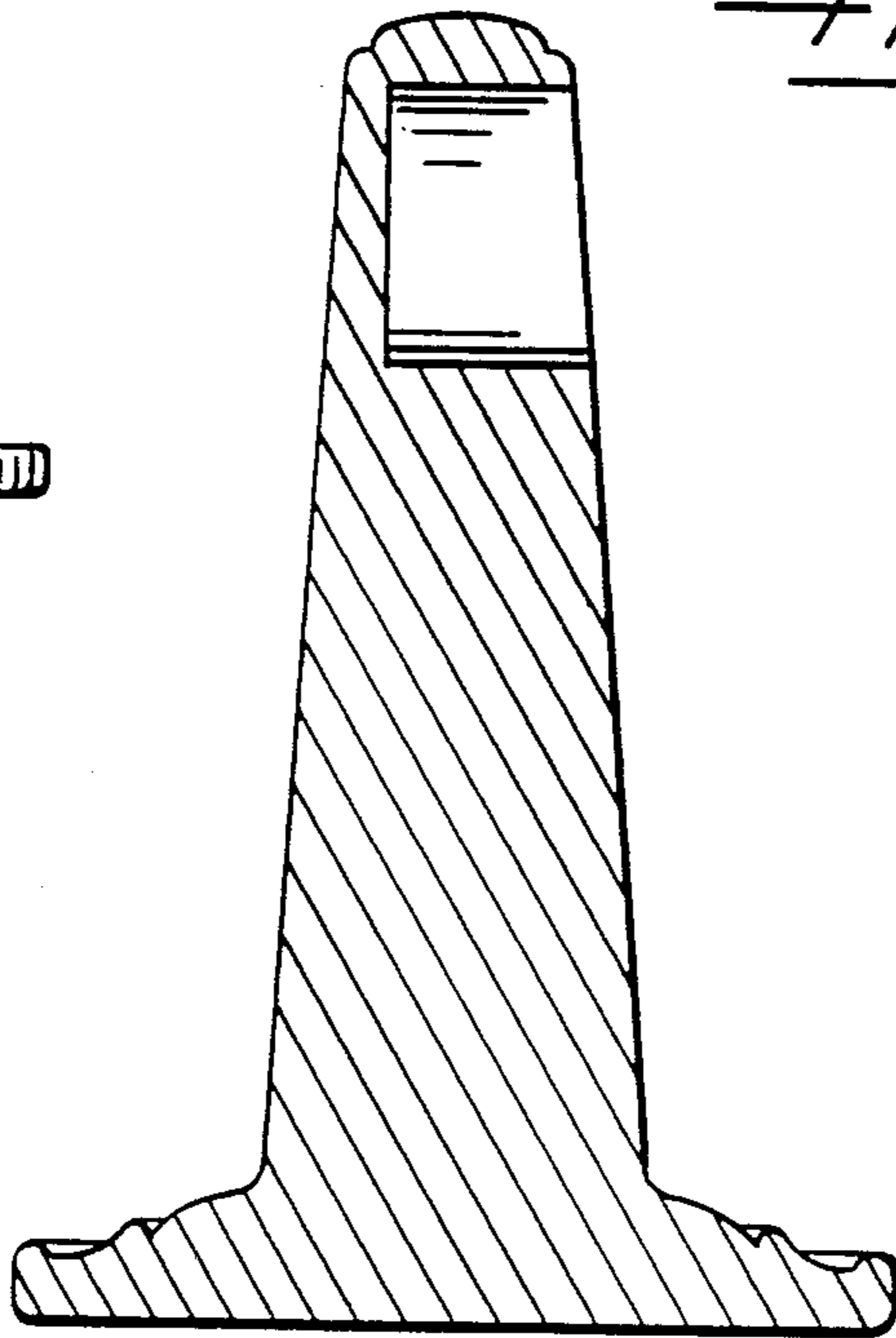


FIG. 10.