

[54] RECESSED SOAP DISH HOLDER

[75] Inventor: Raymond U. H. Tegner, Lodi, Wis.

[73] Assignee: Amerock Corporation, Rockford, Ill.

[\*\*] Term: 14 Years

[21] Appl. No.: 792,153

[22] Filed: Oct. 28, 1985

[52] U.S. Cl. .... D6/533; D6/523; D6/540

[58] Field of Search ..... D6/527, 532, 533, 536, D6/540, 523; 211/13, 87, 88; 248/309.1, 359 R, 359 A, 359.1, 360; D8/350, 353

[56] References Cited

U.S. PATENT DOCUMENTS

D. 186,809	12/1959	Smith	.....	D6/533
D. 231,292	4/1974	Tegner	.	
D. 237,044	10/1975	Mori	.....	D8/353
D. 239,069	3/1976	Read et al.	.....	D6/523
D. 253,381	11/1979	Tegner	.	
D. 266,123	9/1982	Alfano	.....	D6/533

Primary Examiner—B. J. Bullock  
Attorney, Agent, or Firm—Leydig, Voit & Mayer

[57] CLAIM

The ornamental design for a recessed soap dish holder, as shown and described.

DESCRIPTION

FIG. 1 is a front view of a recessed soap dish holder, showing my new design.

FIG. 2 is a bottom view.

FIG. 3 is a side view as seen from the right of FIG. 1.

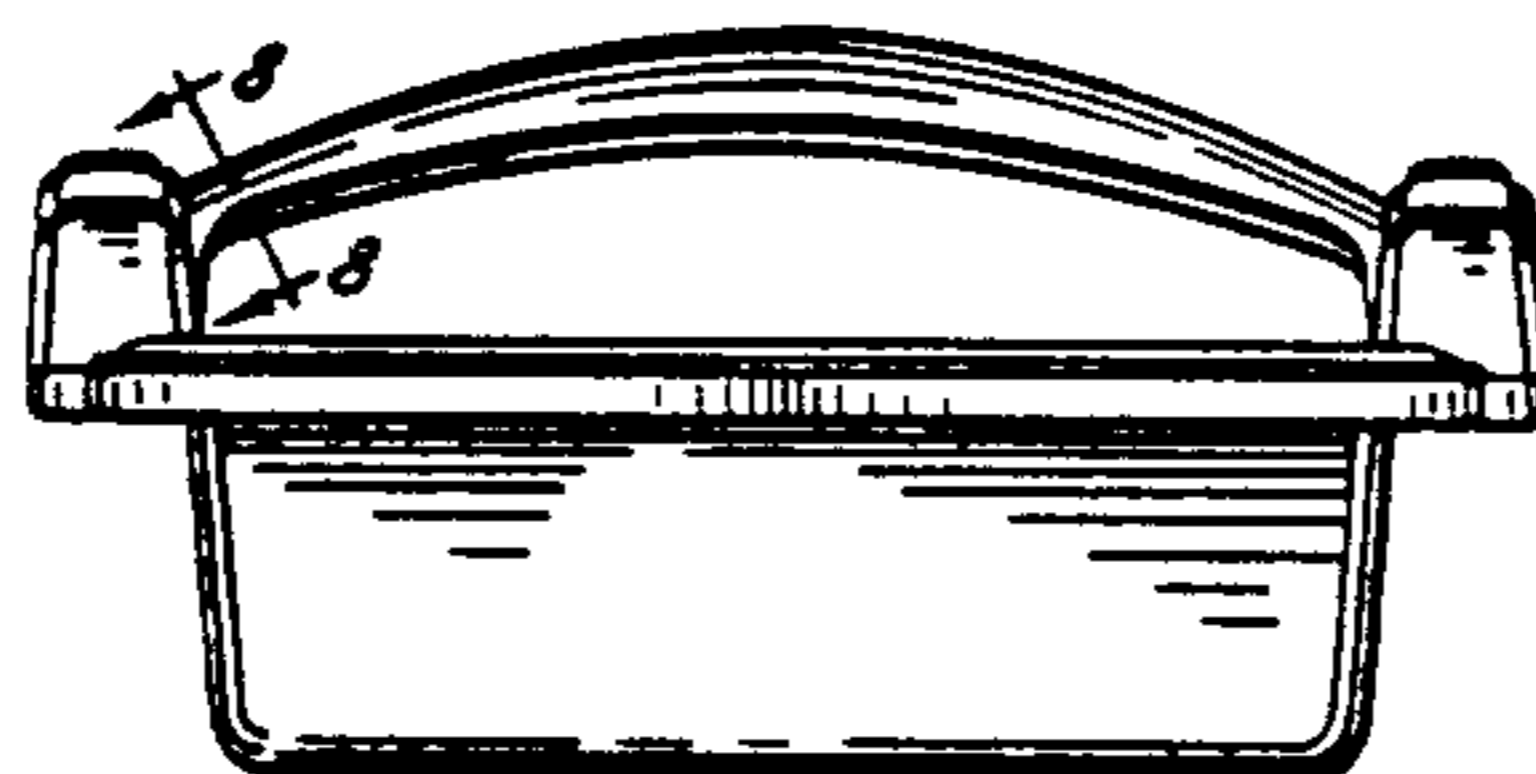
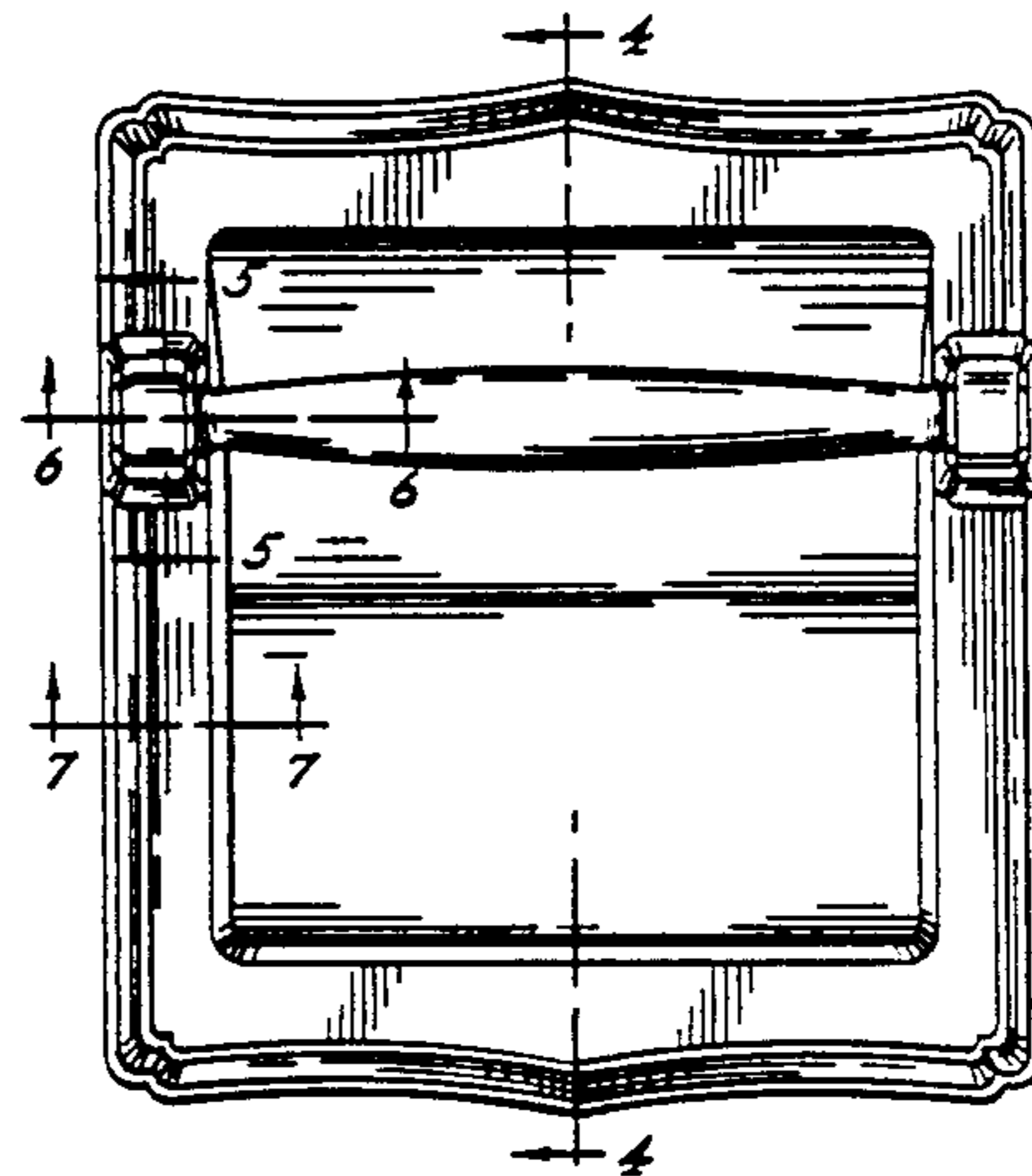
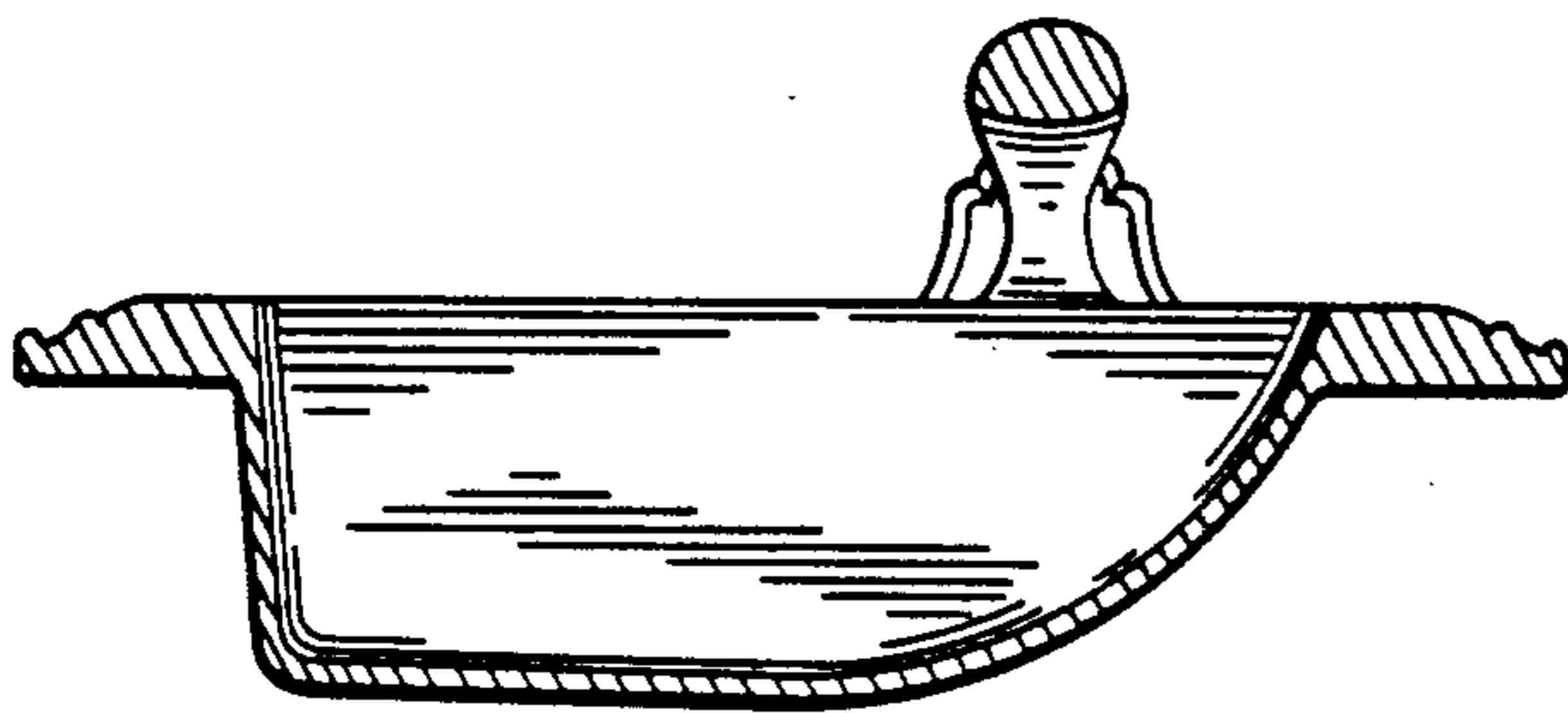
FIG. 4 is a sectional view taken in the direction of the arrows on line 4—4 of FIG. 1.

FIG. 5 is an enlarged fragmentary sectional view taken along line 5—5 of FIG. 1.

FIG. 6 is an enlarged fragmentary sectional view taken in the directions of the arrows on line 6—6 of FIG. 1;

FIG. 7 is an enlarged fragmentary sectional view taken in the direction of the arrows on line 7—7 of FIG. 1;

FIG. 8 is an enlarged fragmentary sectional view taken along line 8—8 of FIG. 2.



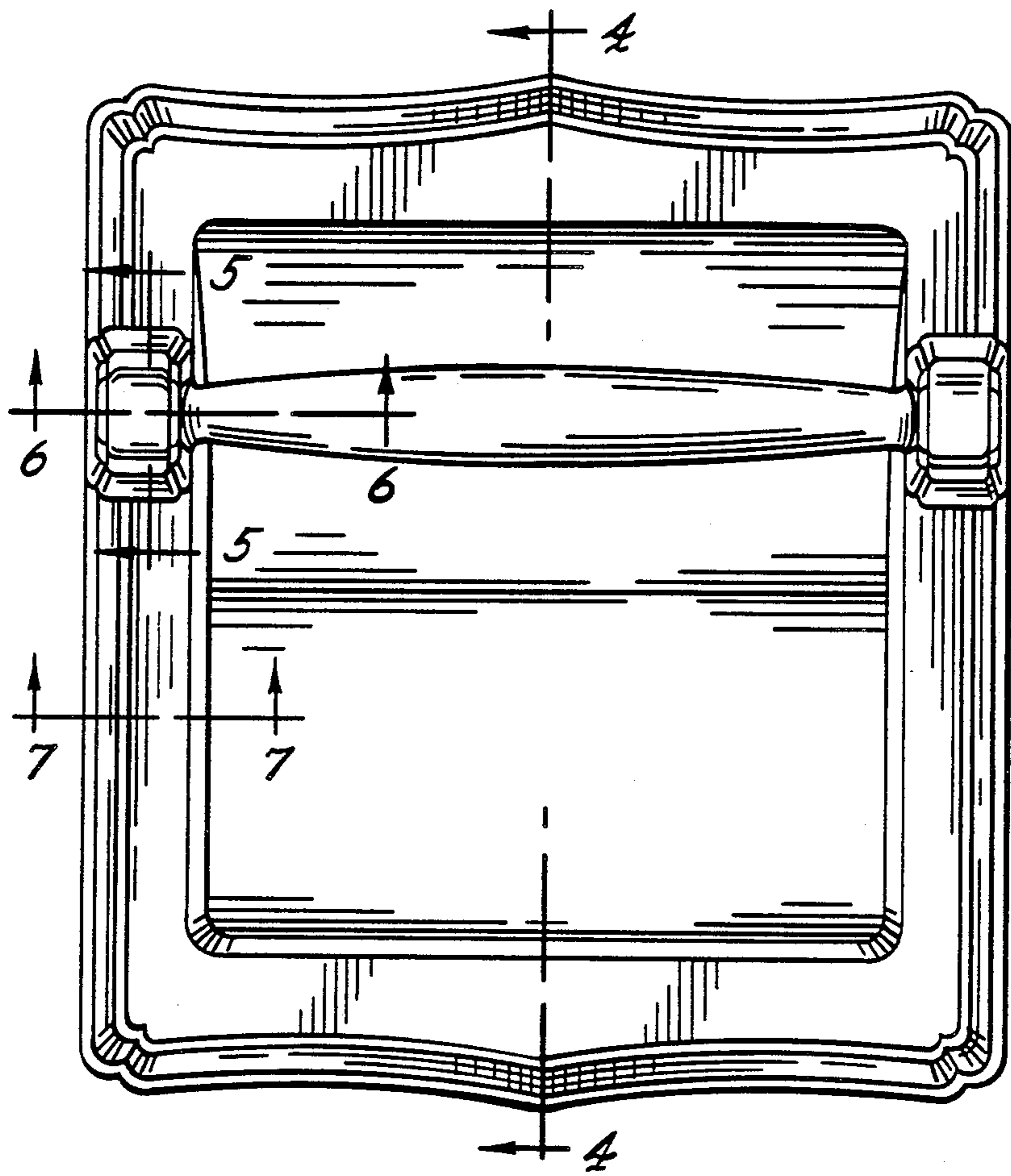


FIG. 1.

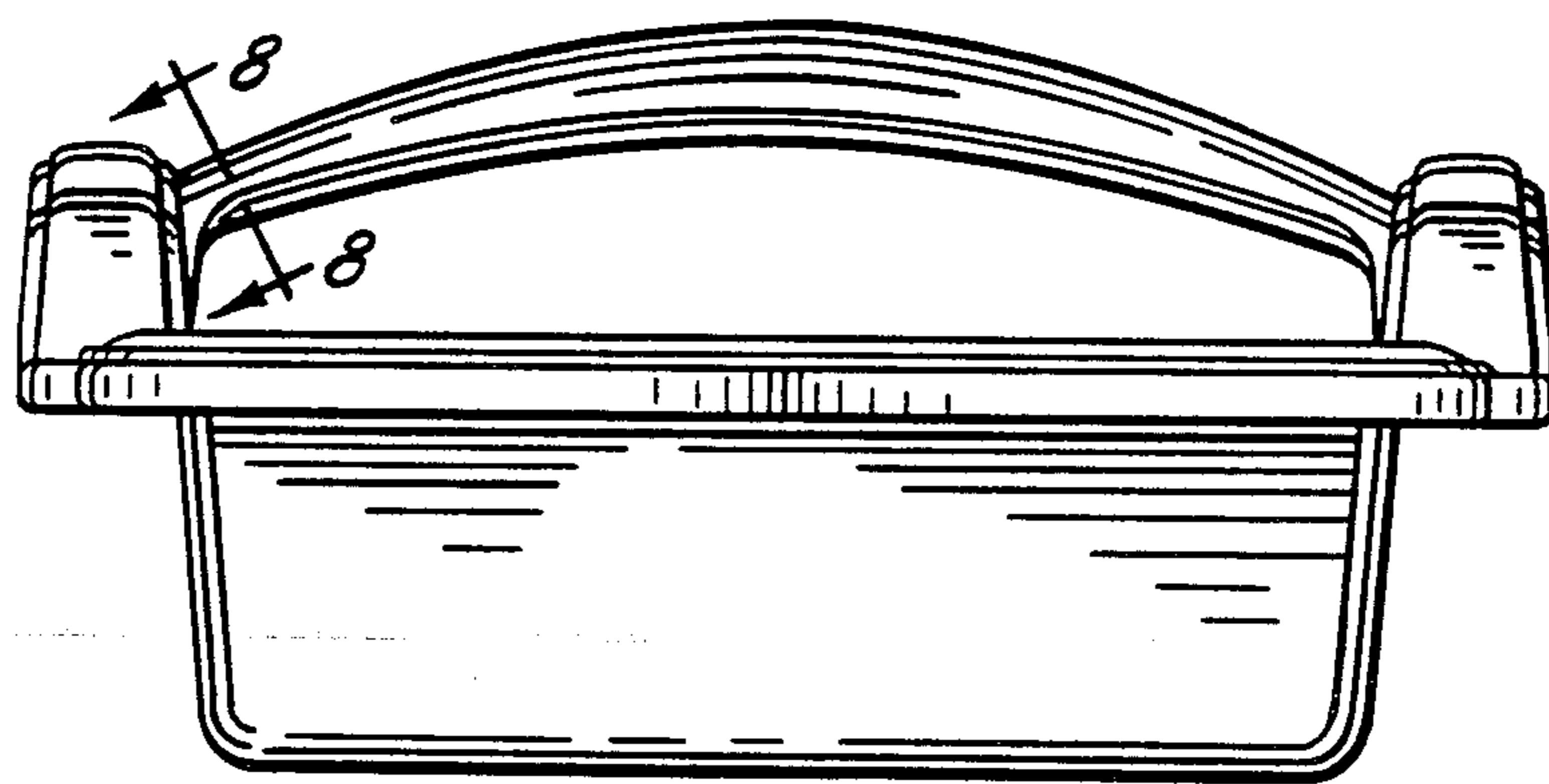


FIG. 2.

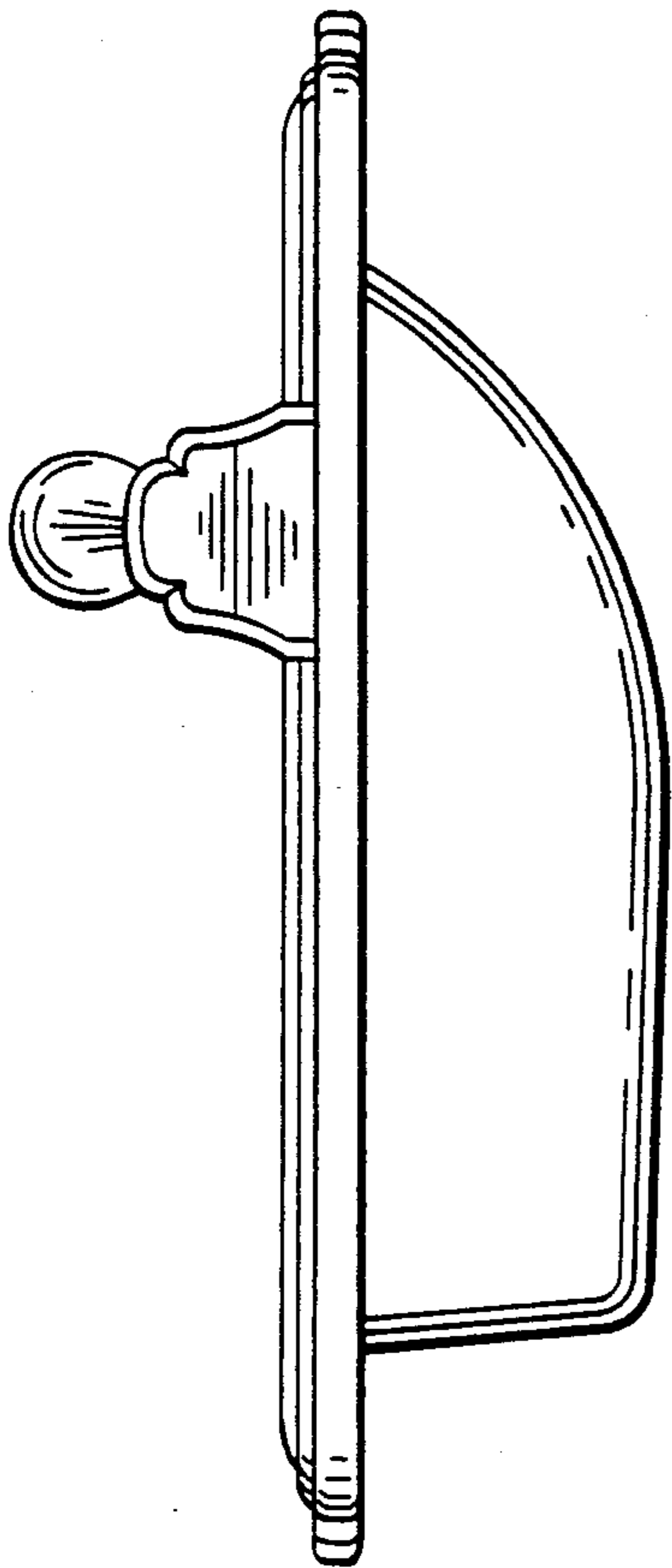


FIG. 3.

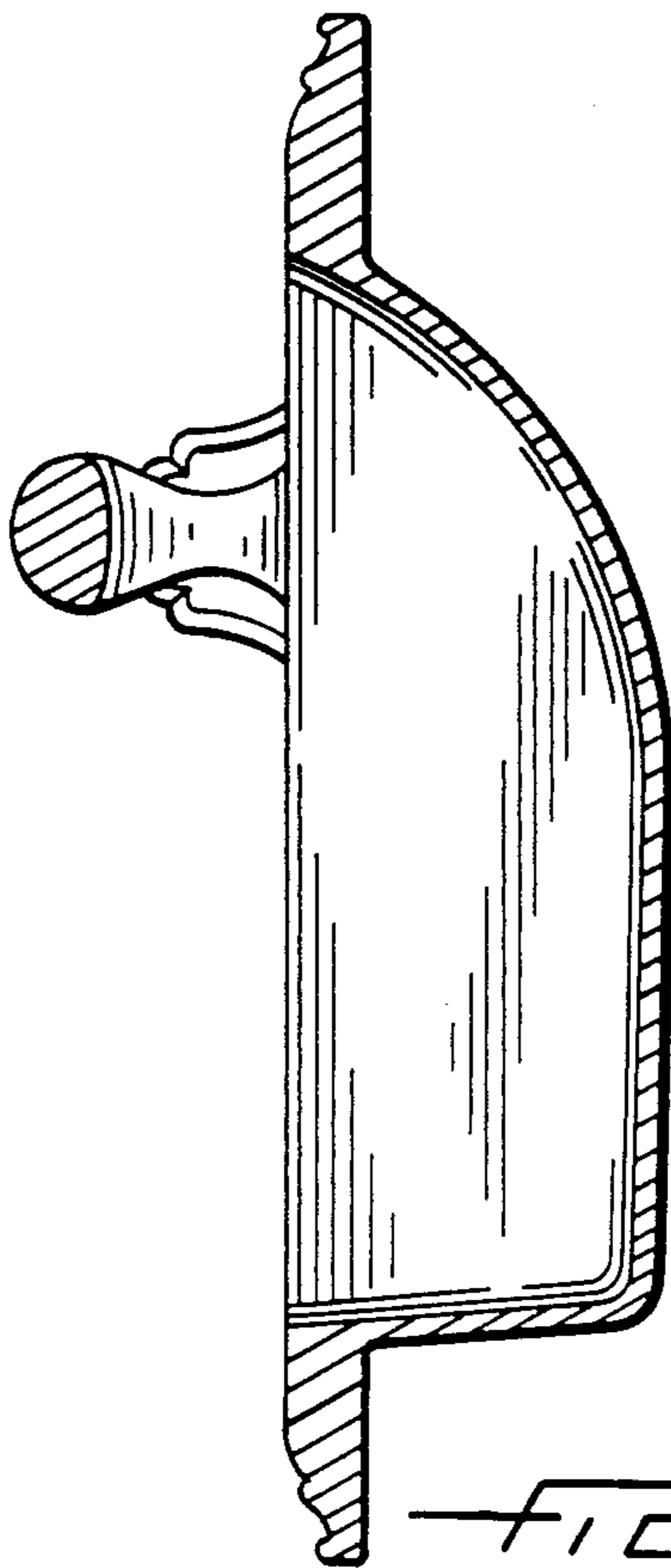


FIG. 4.

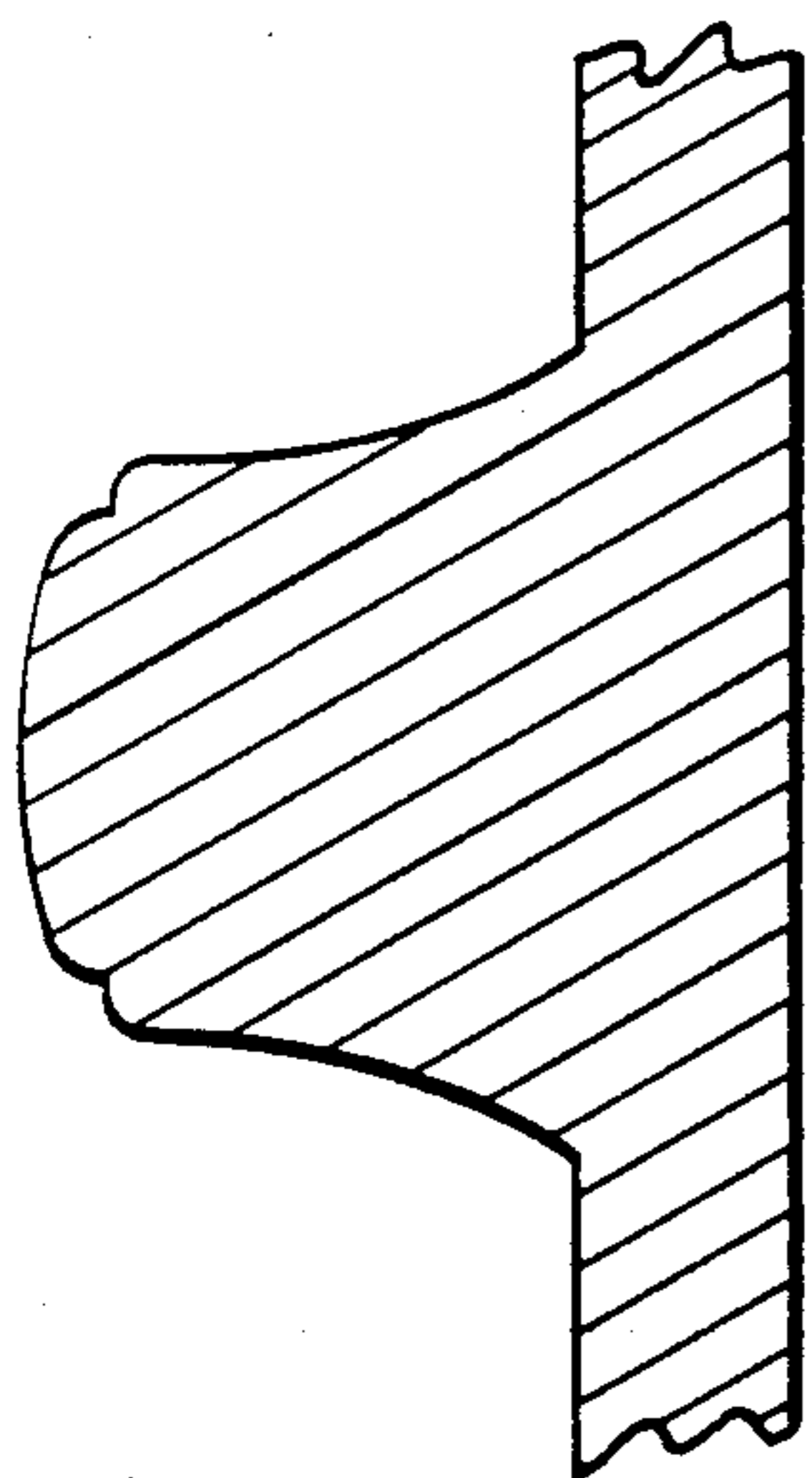


FIG. 5.

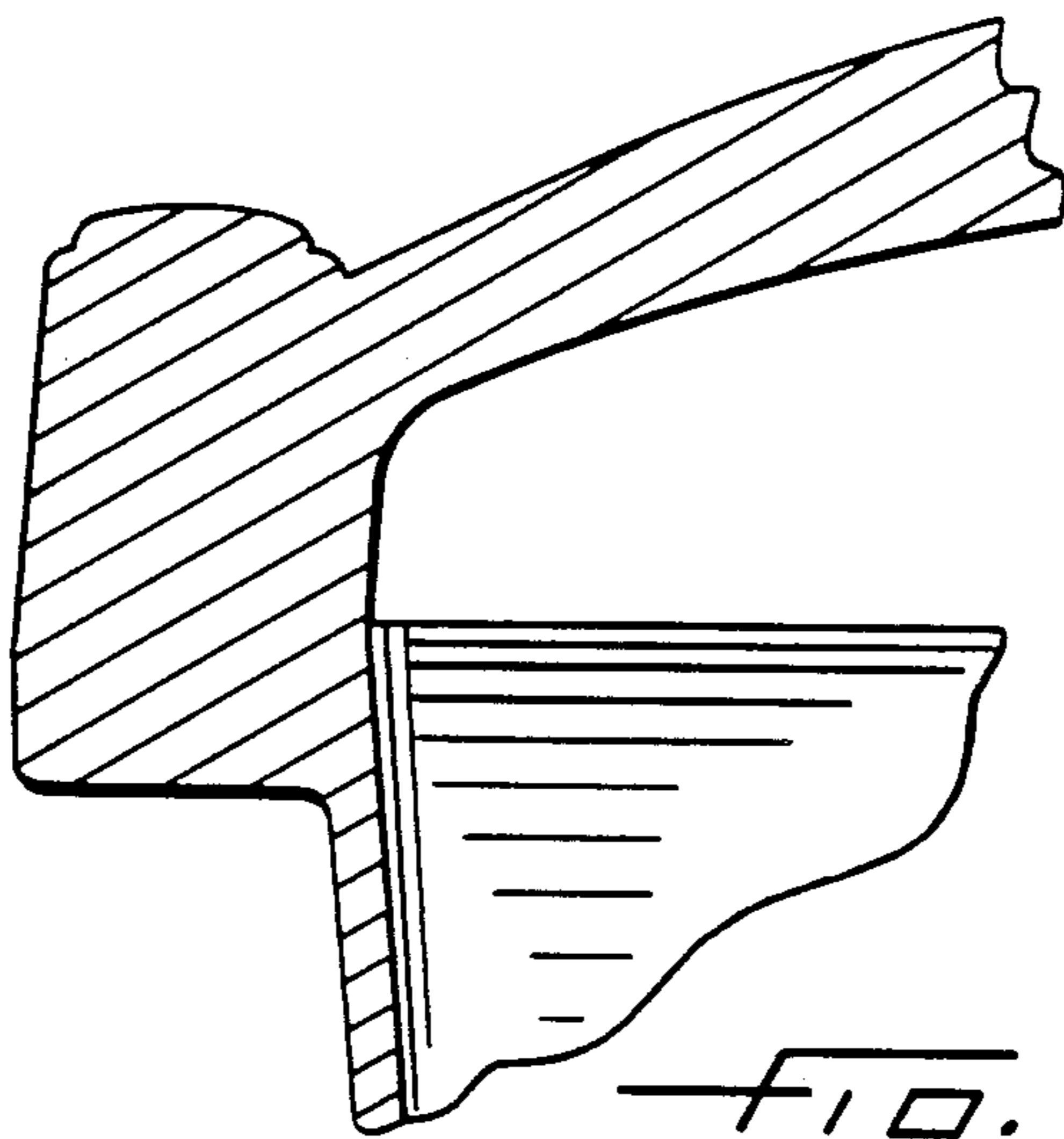


FIG. 6.

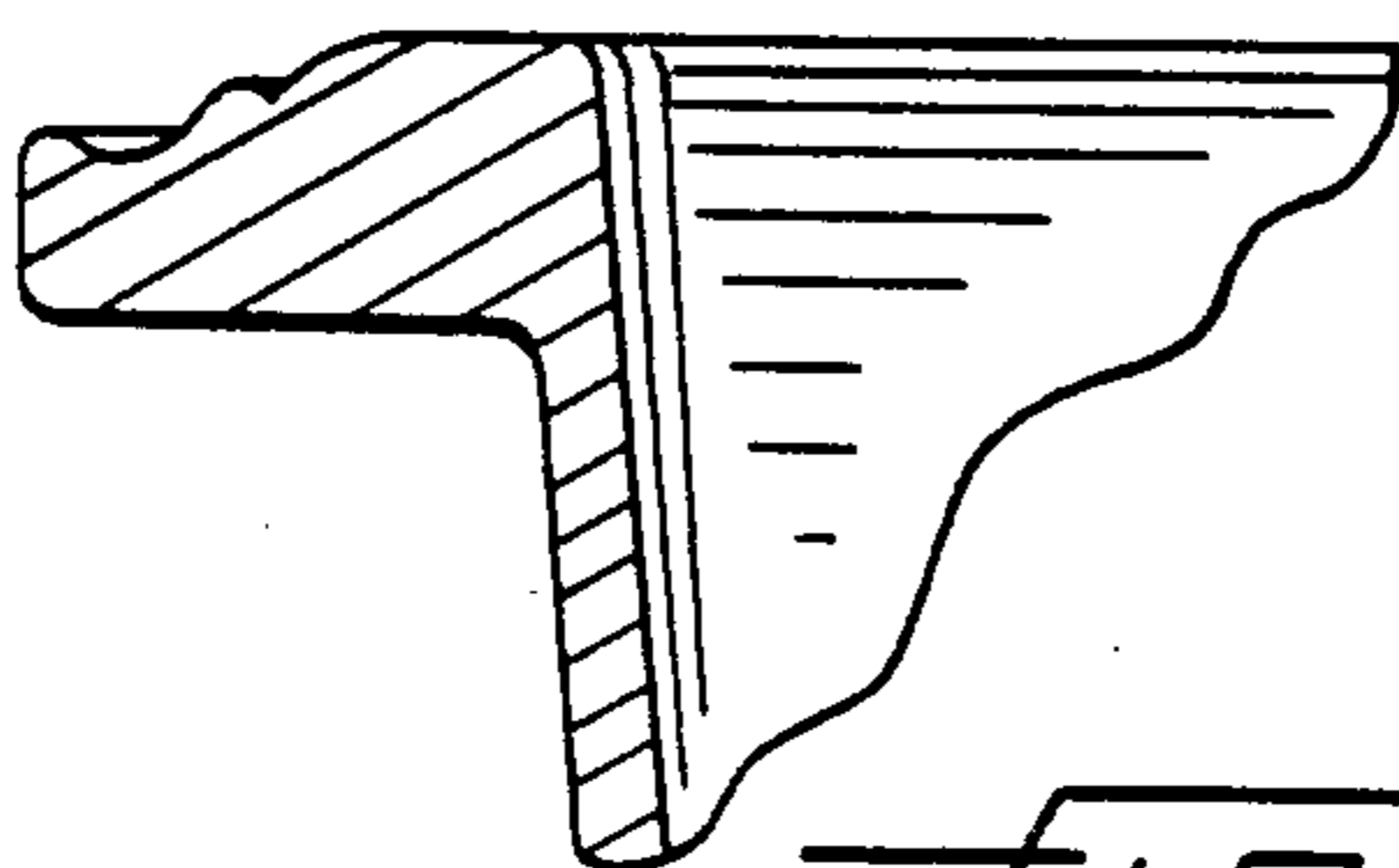


FIG. 7.



FIG. 8.