

[54] **RETAIL PRODUCT DISPLAY CASE**
[75] **Inventor: Frank Raufeisen, Oregon, Wis.**
[73] **Assignee: Standex International Corporation, Salem, N.H.**
[**] **Term: 14 Years**
[21] **Appl. No.: 641,165**
[22] **Filed: Aug. 15, 1984**
[52] **U.S. Cl. D6/471**
[58] **Field of Search D6/470, 471, 472; 312/114, 116**

1,850,417 3/1972 Sanders 312/114 X

FOREIGN PATENT DOCUMENTS

3108559 1/1982 Fed. Rep. of Germany 116/
2502926 10/1982 France 312/116
423845 11/1966 Switzerland 312/139

Primary Examiner—Carmen H. Vales
Attorney, Agent, or Firm—Isaksen, Lathrop, Esch, Hart & Clark

[57] **CLAIM**

The ornamental design for a retail product display case, as shown and described.

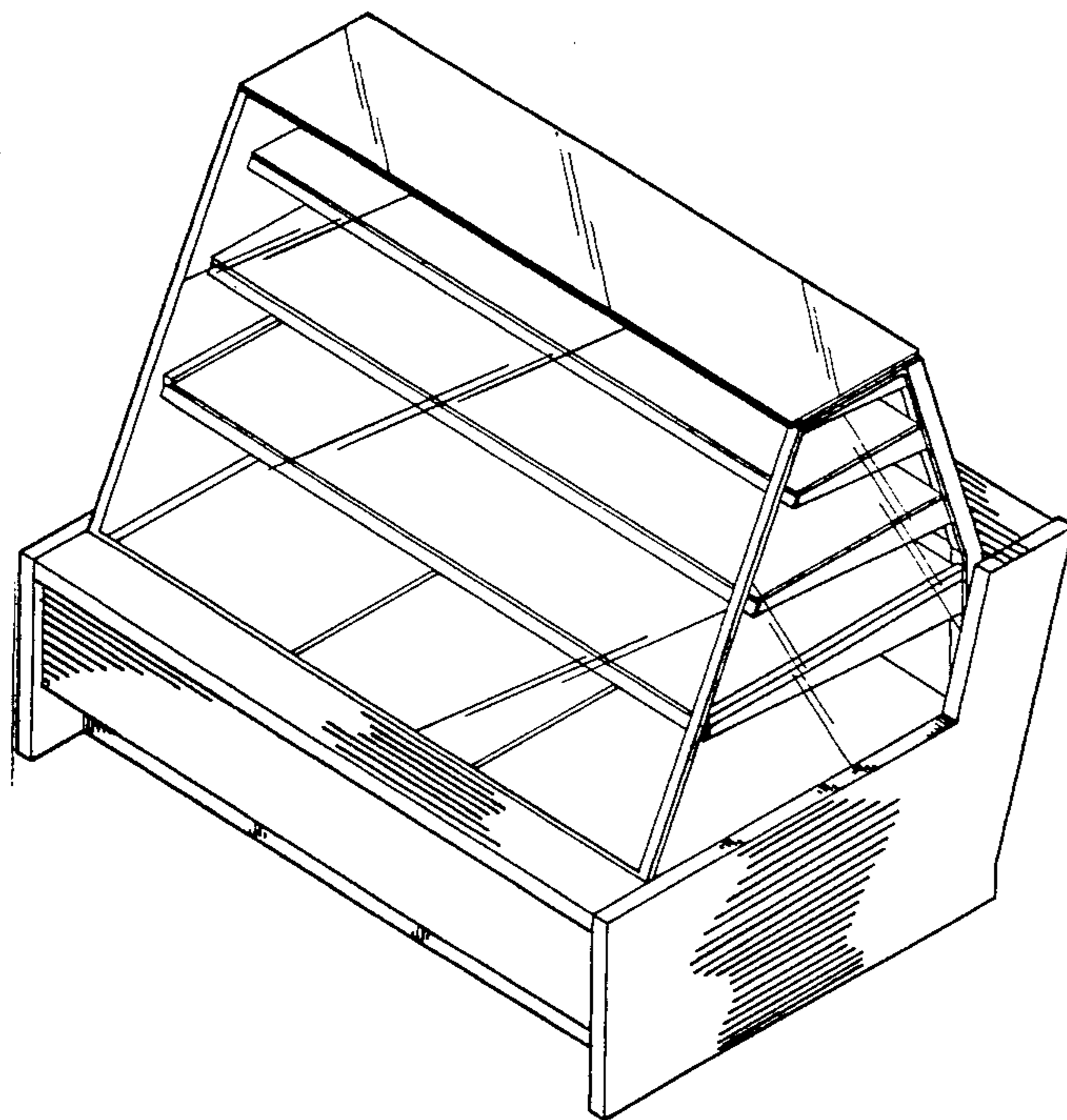
DESCRIPTION

FIG. 1 is a perspective view of a retail product display case showing my new design.
FIG. 2 is a front elevational view thereof.
FIG. 3 is a rear elevational view thereof.
FIG. 4 is a top plan view thereof.
FIG. 5 is a left side elevational view thereof, the right side being the mirror image.

[56] **References Cited**

U.S. PATENT DOCUMENTS

D. 182,567 4/1958 Chapman et al. D6/470
D. 200,279 2/1965 Perez et al. D6/470
D. 202,081 8/1965 Zaslowsky et al. D6/471 X
D. 209,722 12/1967 Mangini D6/471
D. 221,314 7/1971 Toth et al. D6/470



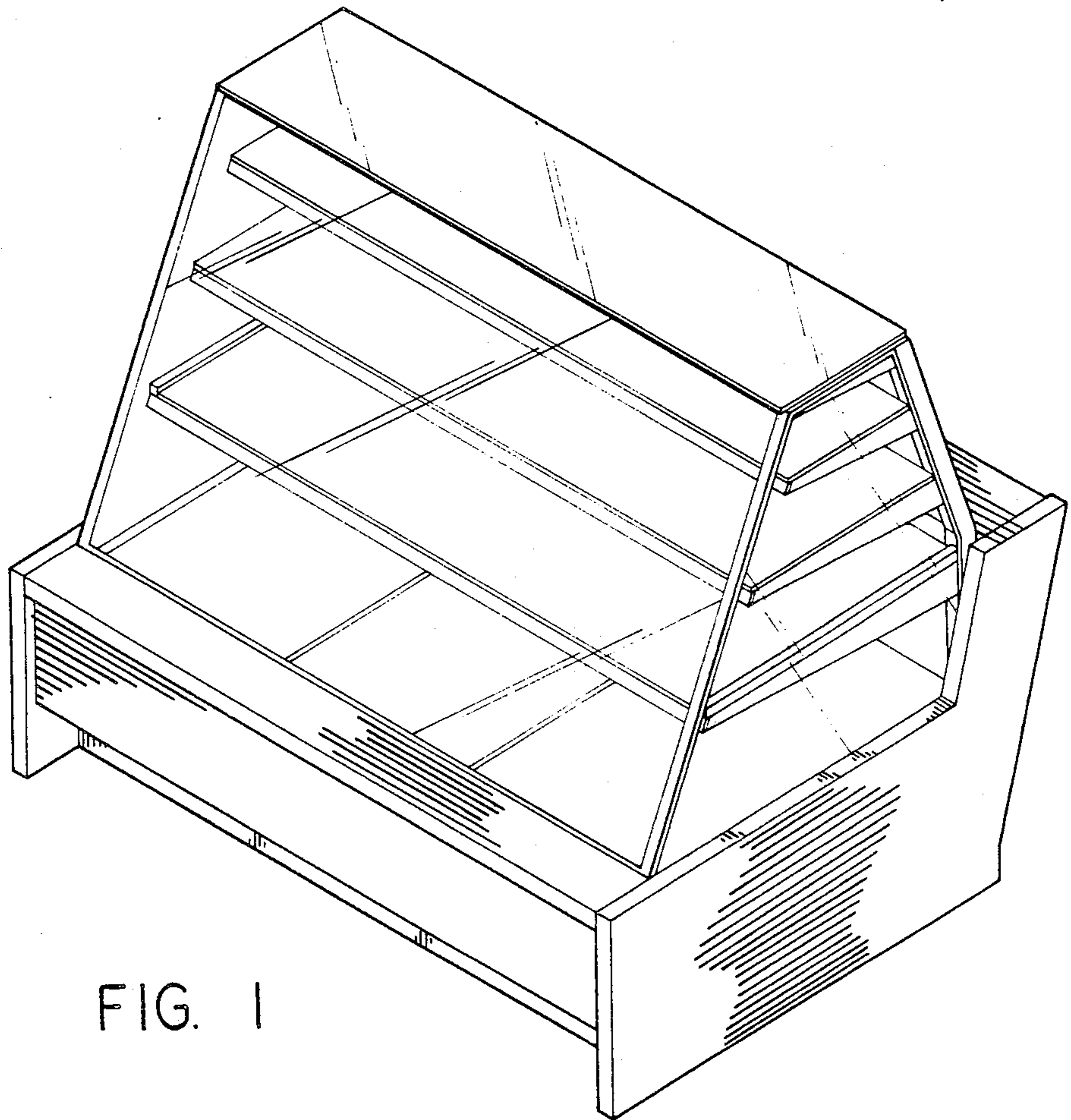


FIG. 1

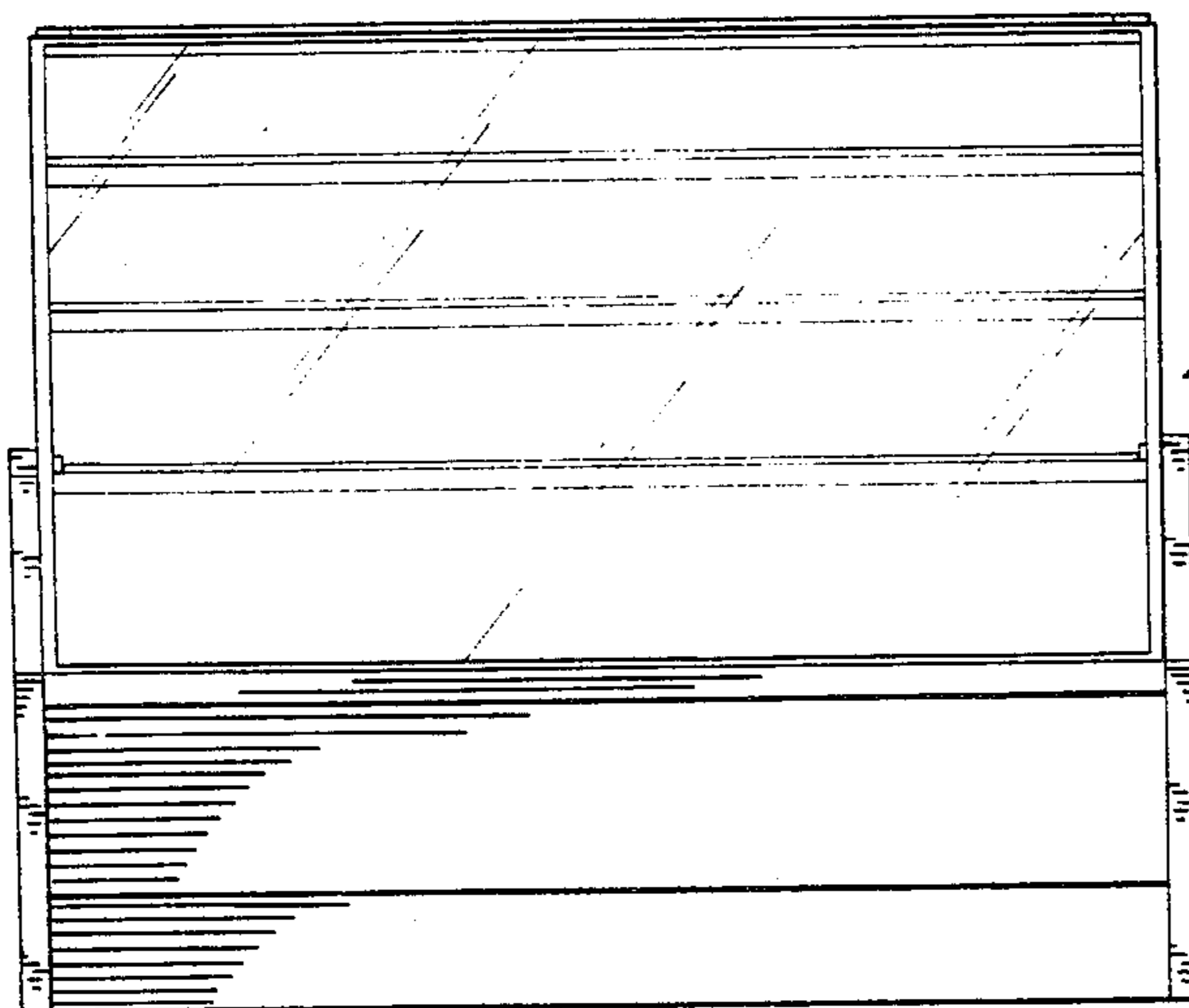


FIG. 2

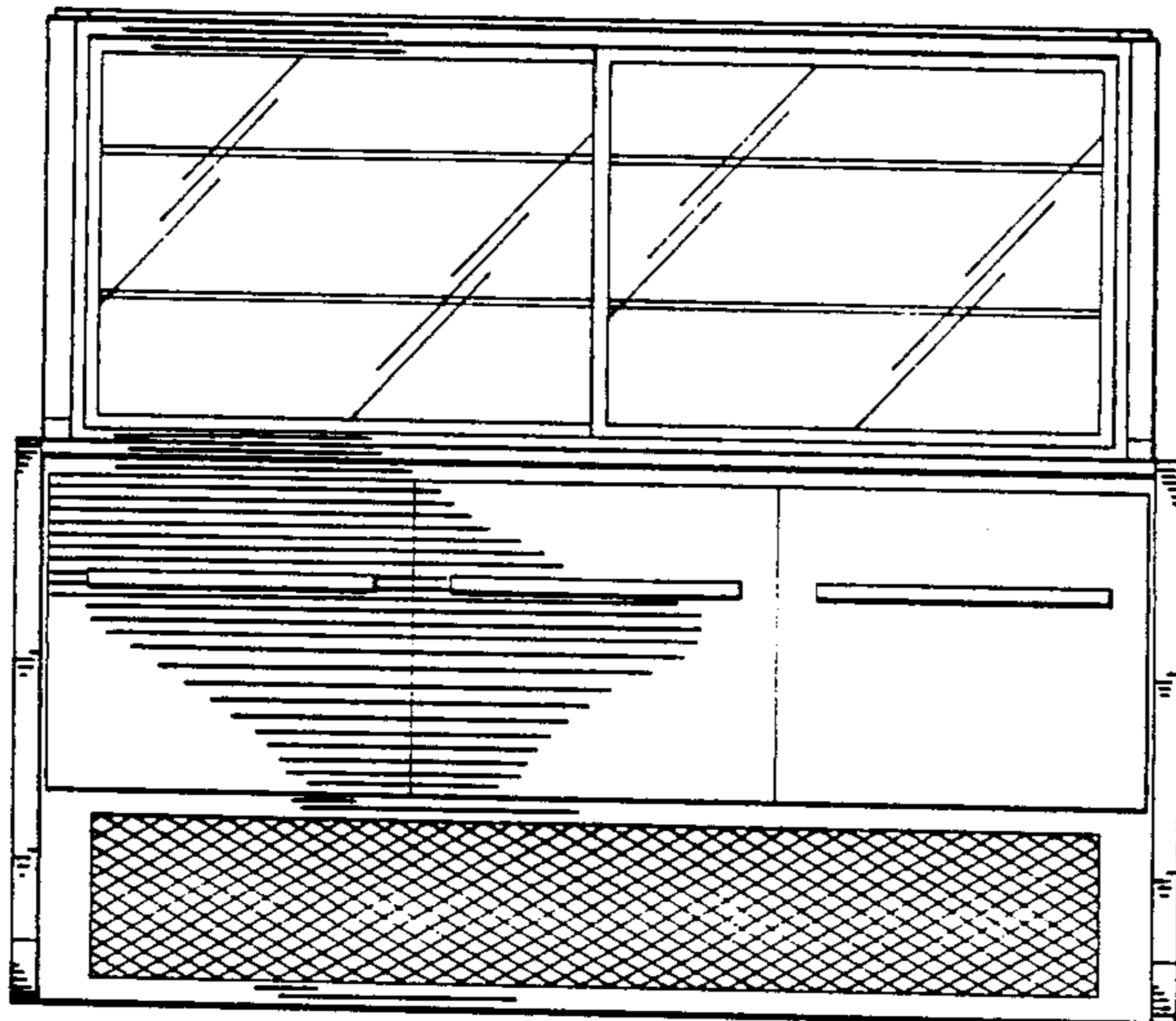


FIG. 3

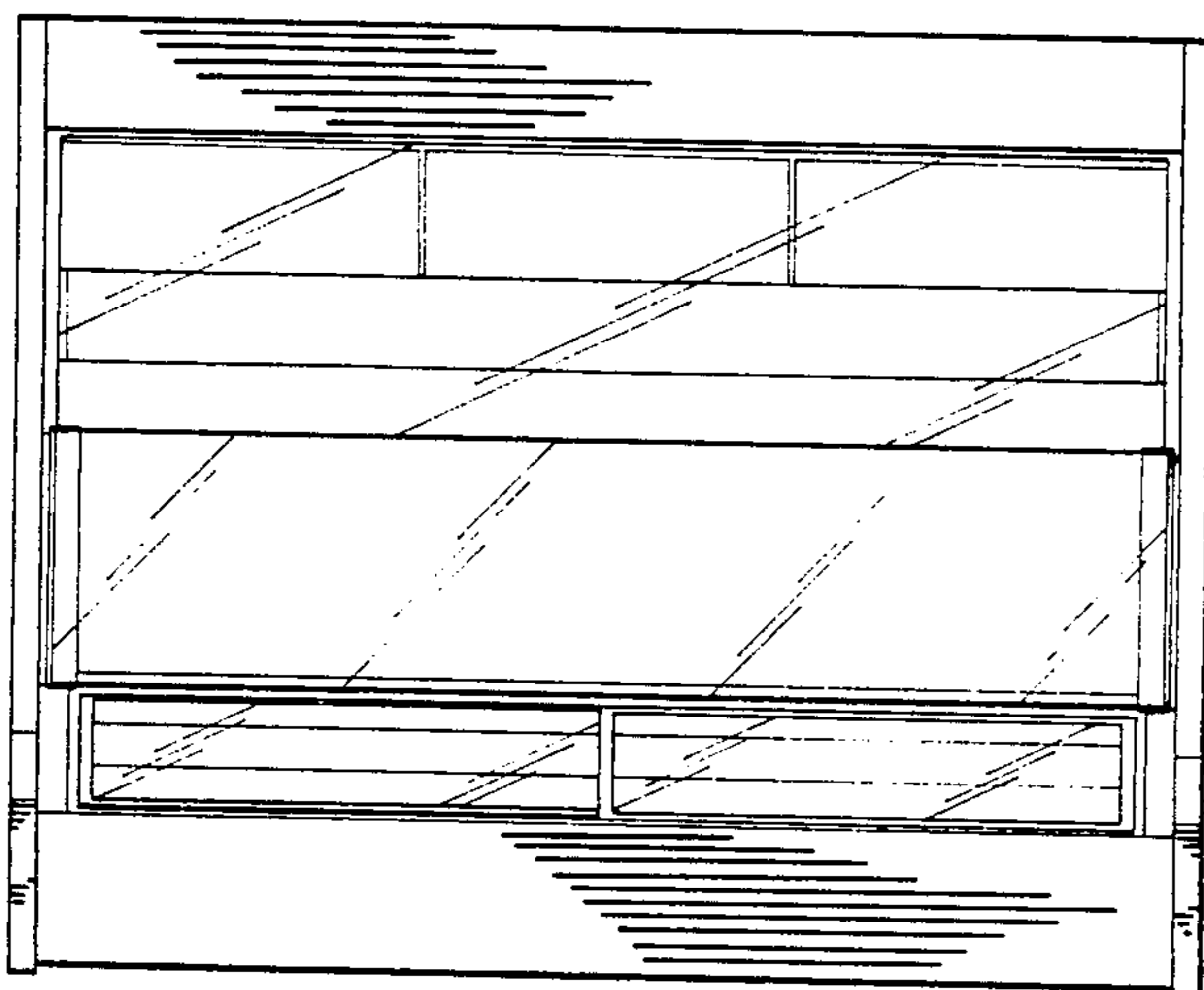


FIG. 4

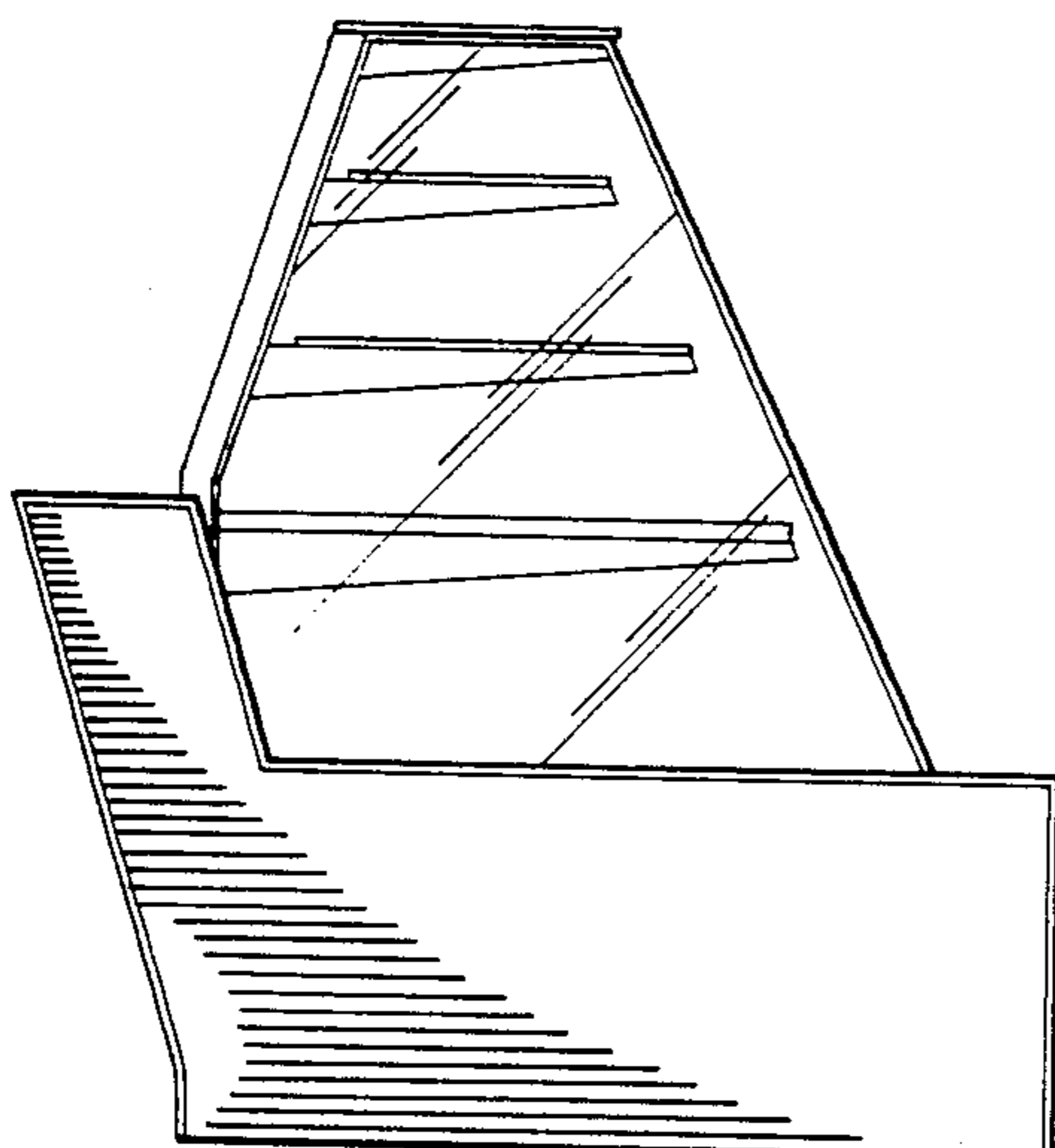


FIG. 5