

# United States Patent [19]

Aldridge, Sr.

[11] Patent Number: **Des. 293,983**

[45] Date of Patent: **\*\* Feb. 2, 1988**

[54] **COMBINED TABLE SAW STAND,  
ACCESSORY TRAY AND CART**

[76] Inventor: **Jimmy R. Aldridge, Sr., P.O. Box  
494, Vernon, Ala. 35592**

[\*\*] Term: **14 Years**

[21] Appl. No.: **758,872**

[22] Filed: **Jul. 25, 1985**

[52] U.S. Cl. .... **D6/400**

[58] Field of Search ..... **D6/335, 336, 397, 400,  
D6/338; 269/139; 108/18; 144/286 A**

[56] **References Cited**

**U.S. PATENT DOCUMENTS**

- D. 178,526 8/1956 Leach et al. .... D6/335 X
- D. 288,866 3/1987 Cadwellader ..... D6/400 X
- D. 288,866 3/1987 Cadwallader ..... D6/400 X

- 3,149,651 9/1964 Belrose ..... 144/286
- 3,672,719 6/1972 Haukedahl ..... D6/430 X
- 4,169,606 10/1979 Hickman ..... 269/139
- 4,265,283 5/1981 Nash ..... 144/286
- 4,269,096 5/1981 Boone ..... 144/286

*Primary Examiner*—Bruce W. Dunkins  
*Attorney, Agent, or Firm*—W. C. Tupman

[57] **CLAIM**

The ornamental design for a combined table saw stand, accessory tray and cart, substantially as shown and described.

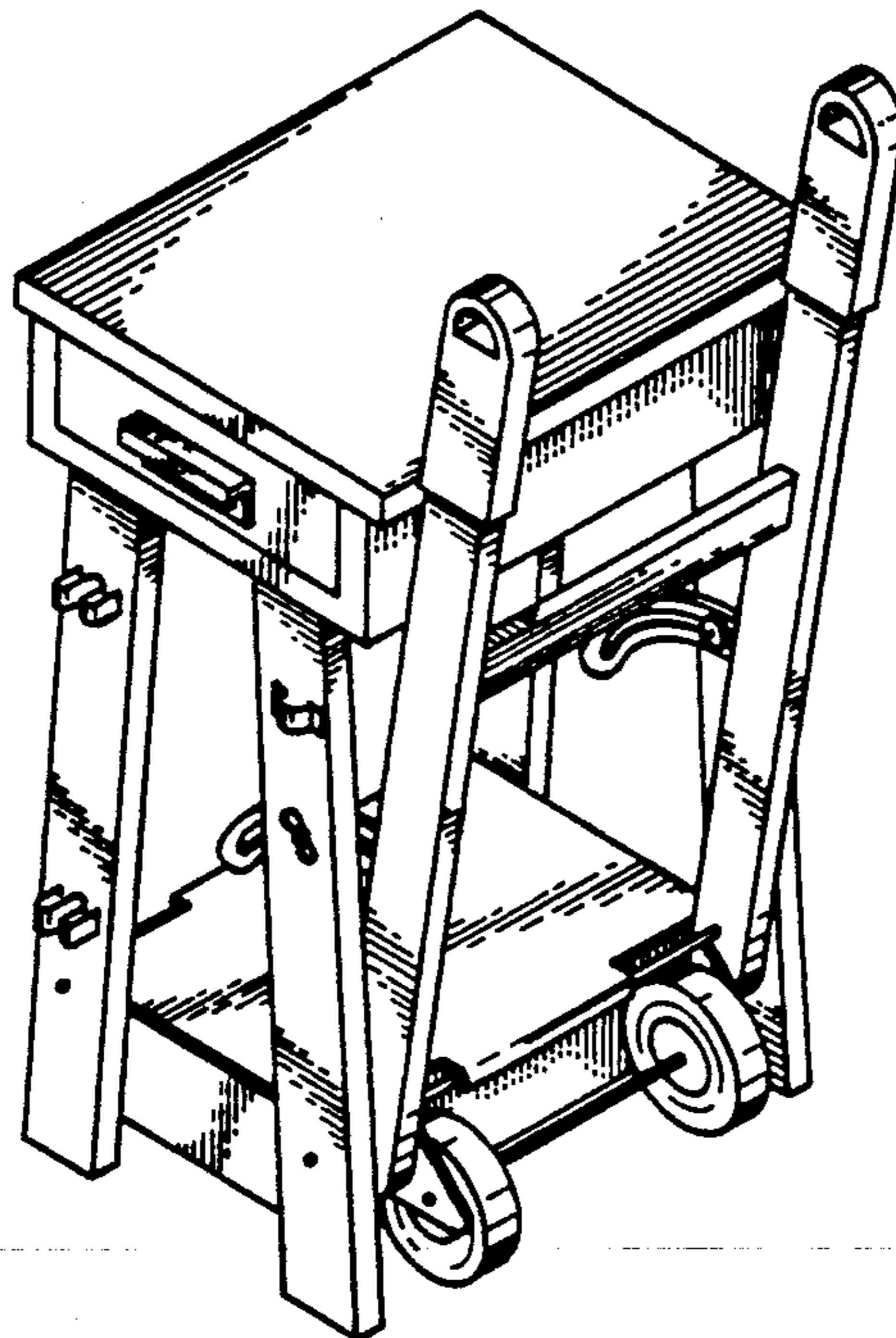
**DESCRIPTION**

FIG. 1 is a rear perspective view of a combined table saw stand, accessory tray and cart showing my new design;

FIG. 2 is a front view;

FIG. 3 is a top view; and

FIG. 4 is a typical side view thereof.



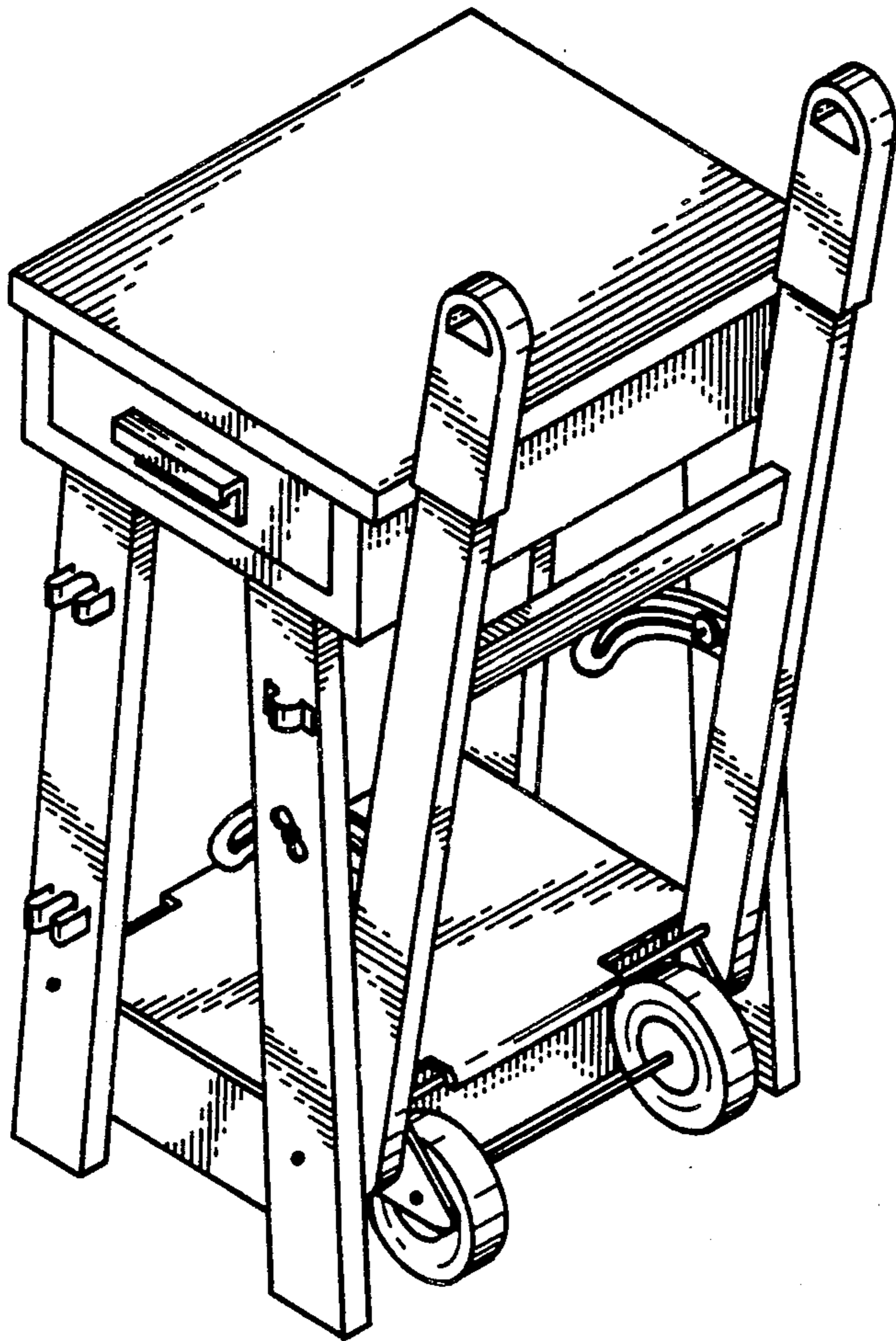


Fig. 1

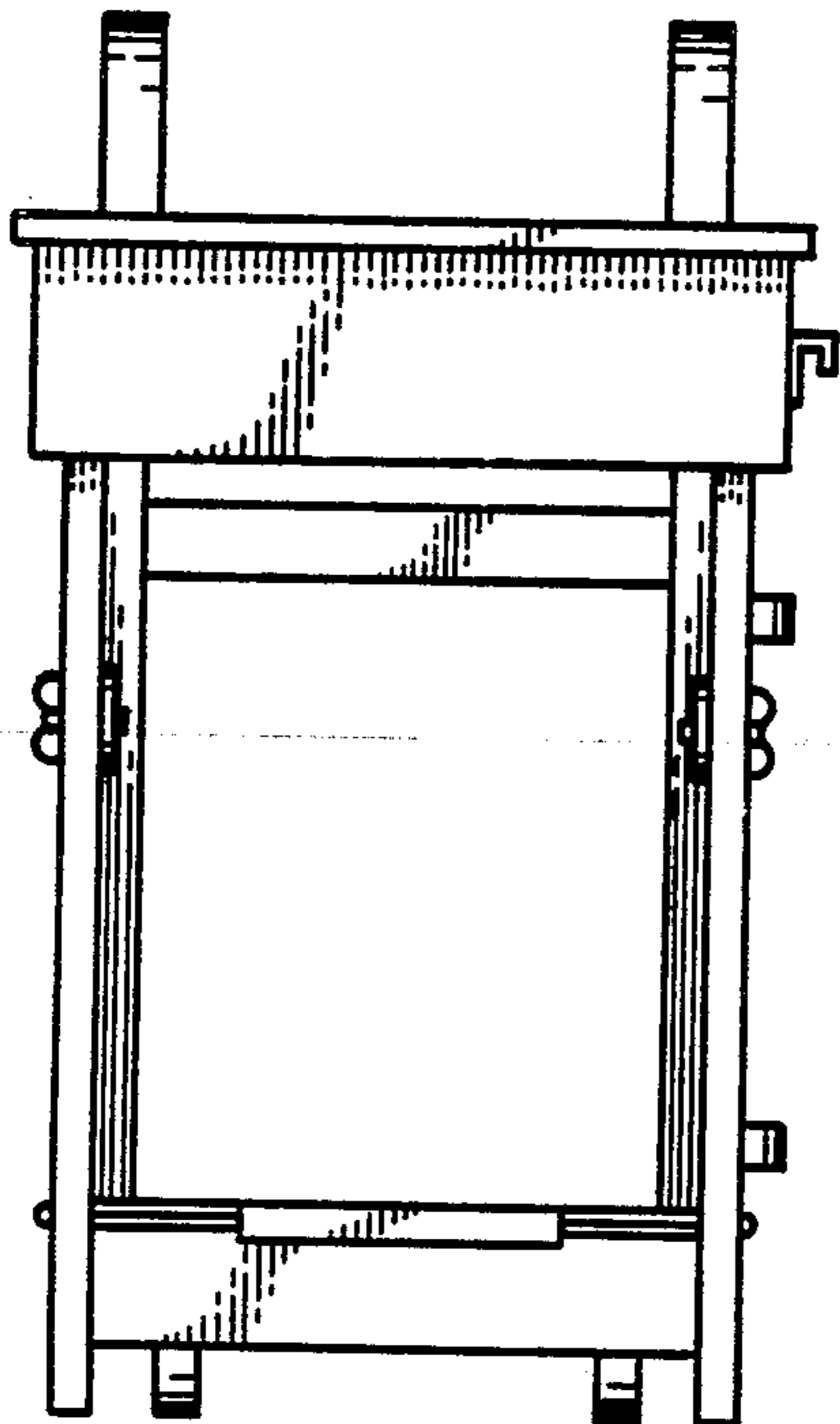


Fig. 2

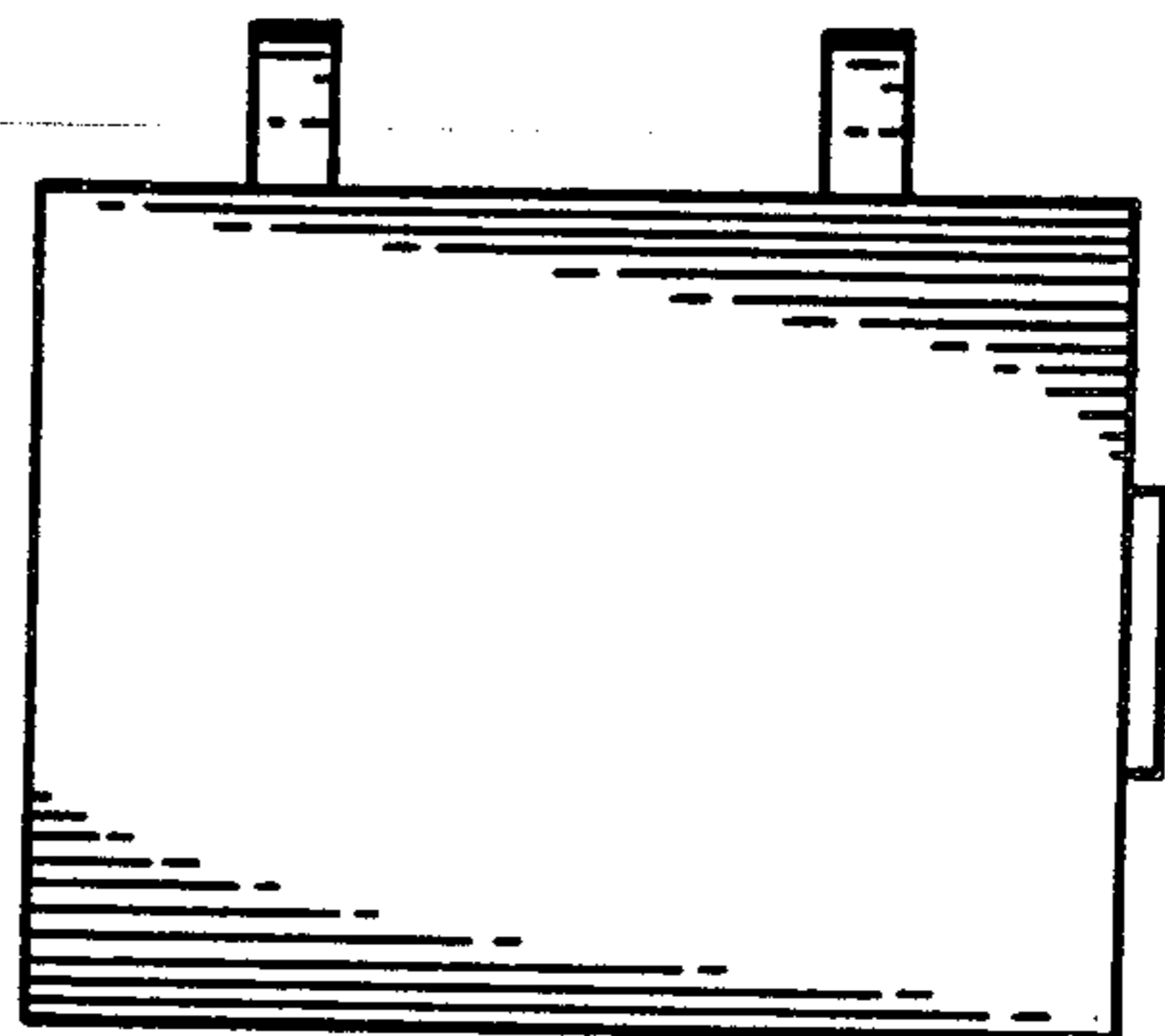


Fig. 3

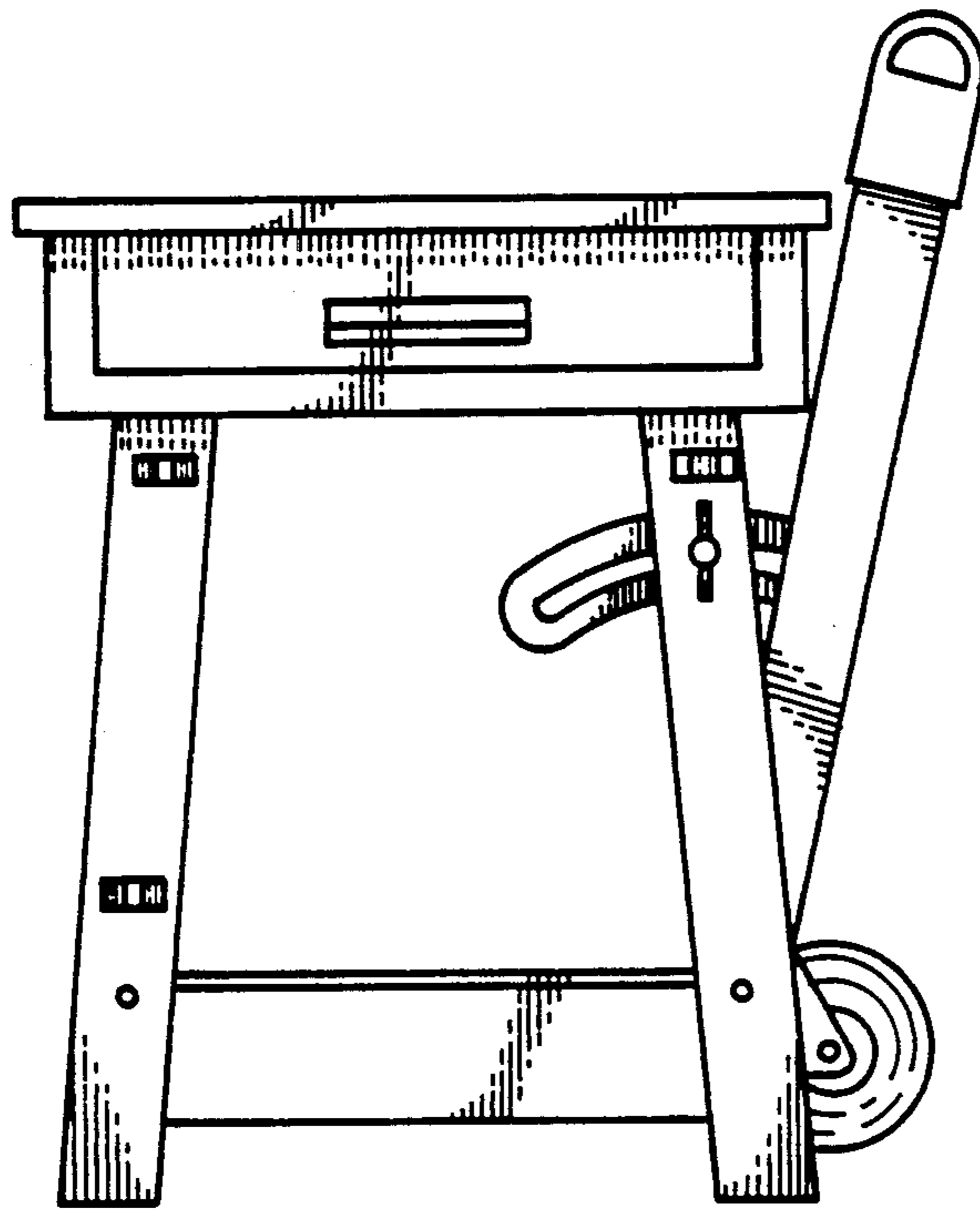


Fig. 4