

[54] MINI BLIND CLEANER

[76] Inventors: Carol D. Bilbrey; Carlos E. Bilbrey, both of 1375 S. Morgantown Rd., Greenwood, Ind. 46142

[**] Term: 14 Years

[21] Appl. No.: 852,495

[22] Filed: Apr. 14, 1986

[52] U.S. Cl. D4/120; D32/40

[58] Field of Search D4/119, 120, 137; D32/40, 44; 15/209 R, 210 R, 210 A, 214

[56] References Cited

U.S. PATENT DOCUMENTS

D. 154,595	7/1949	Franchi	D4/120
2,723,412	11/1955	Harris	15/210 A
2,896,243	7/1959	Schoenfield et al.	15/118
2,908,923	10/1959	Schlecter	15/118
3,075,223	1/1963	Warner	15/210 A
3,445,880	5/1969	Warner	15/210 A

4,468,833 9/1984 Samuelsson 15/210 A X

FOREIGN PATENT DOCUMENTS

359325	3/1906	France	15/210 A
1071271	6/1967	United Kingdom	15/210 A

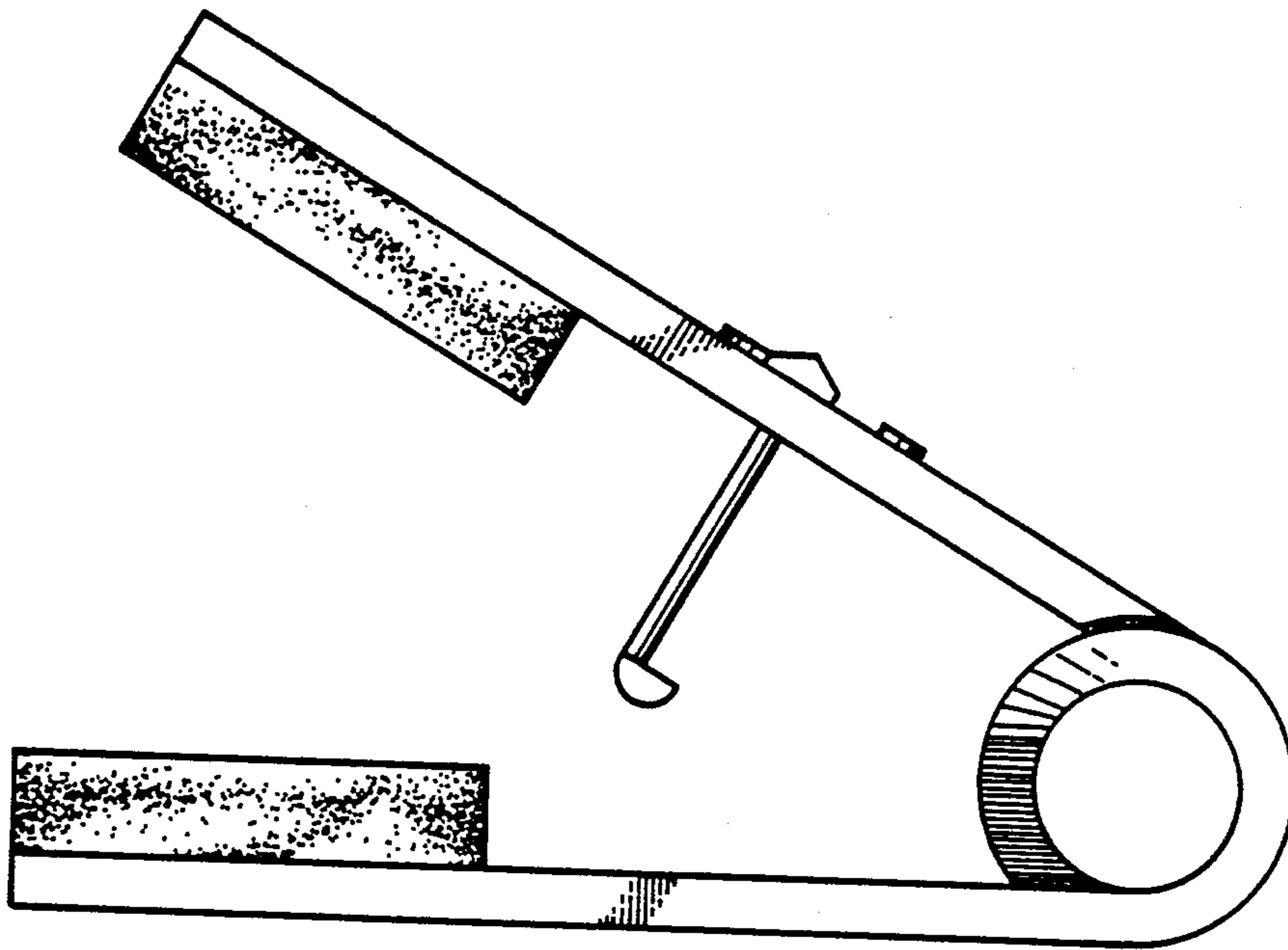
Primary Examiner—Catherine E. Kemper
Attorney, Agent, or Firm—W. C. Tupman

[57] CLAIM

The ornamental design for a mini blind cleaner, substantially as shown and described.

DESCRIPTION

FIG. 1 is a side elevational view of a mini blind cleaner, showing our new design;
 FIG. 2 is a top plan view thereof;
 FIG. 3 is a bottom plan view thereof;
 FIG. 4 is a side elevational view of a mini blind cleaner as it appears when opened;
 FIG. 5 is a left end elevational view of the mini blind cleaner as shown in FIG. 1;
 FIG. 6 is a right end elevational view thereof.



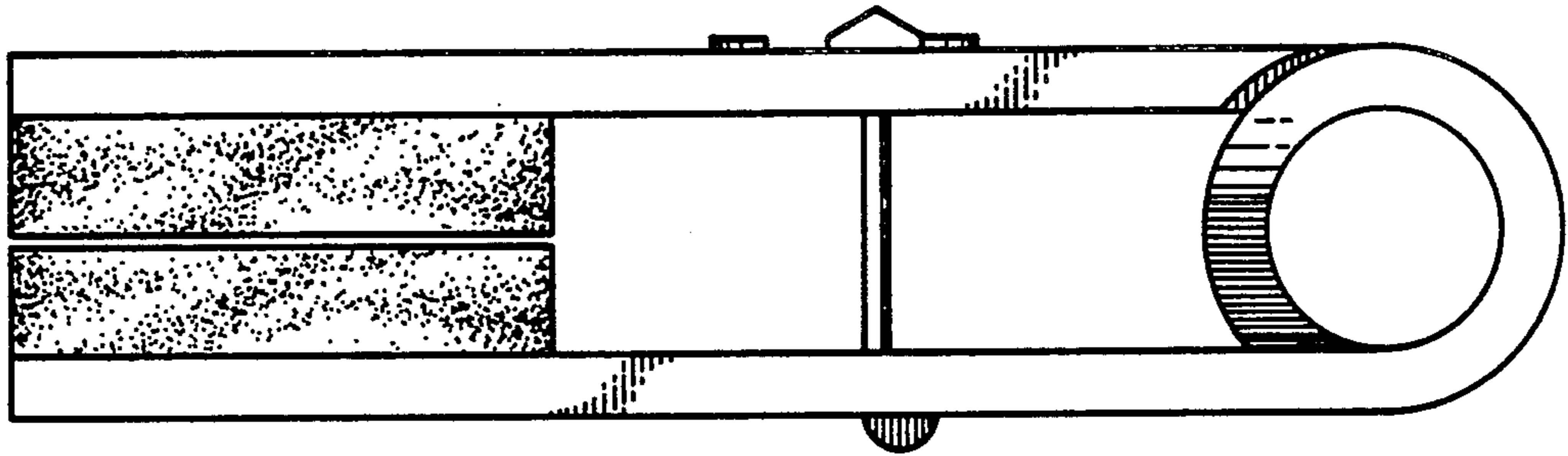


Fig. 1

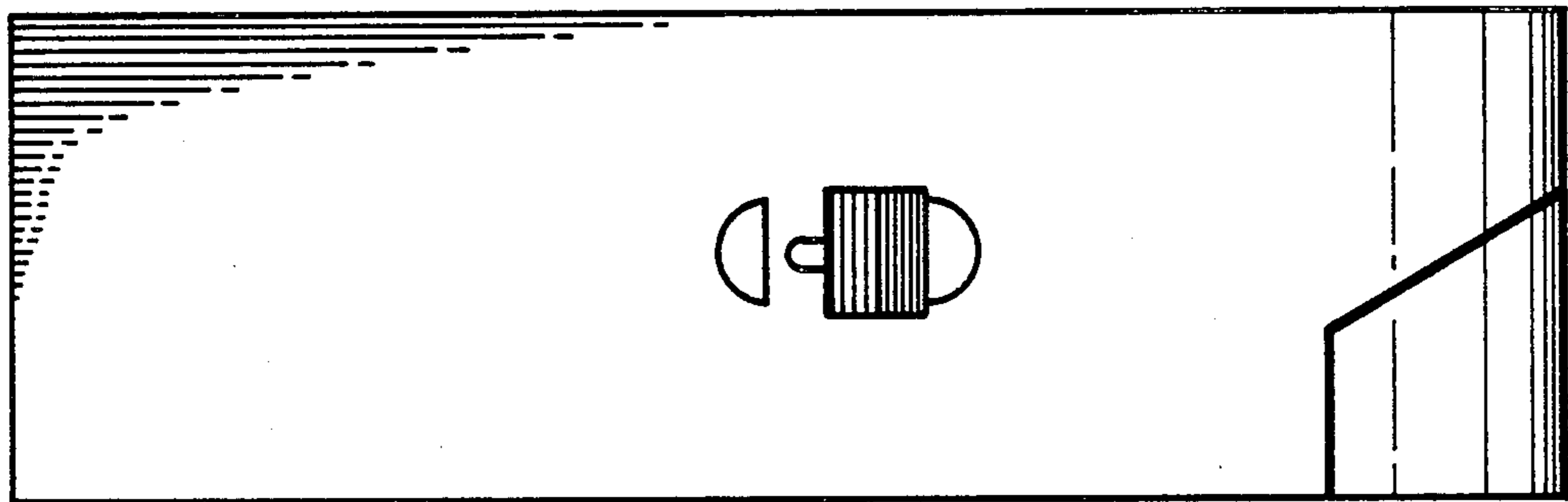


Fig. 2

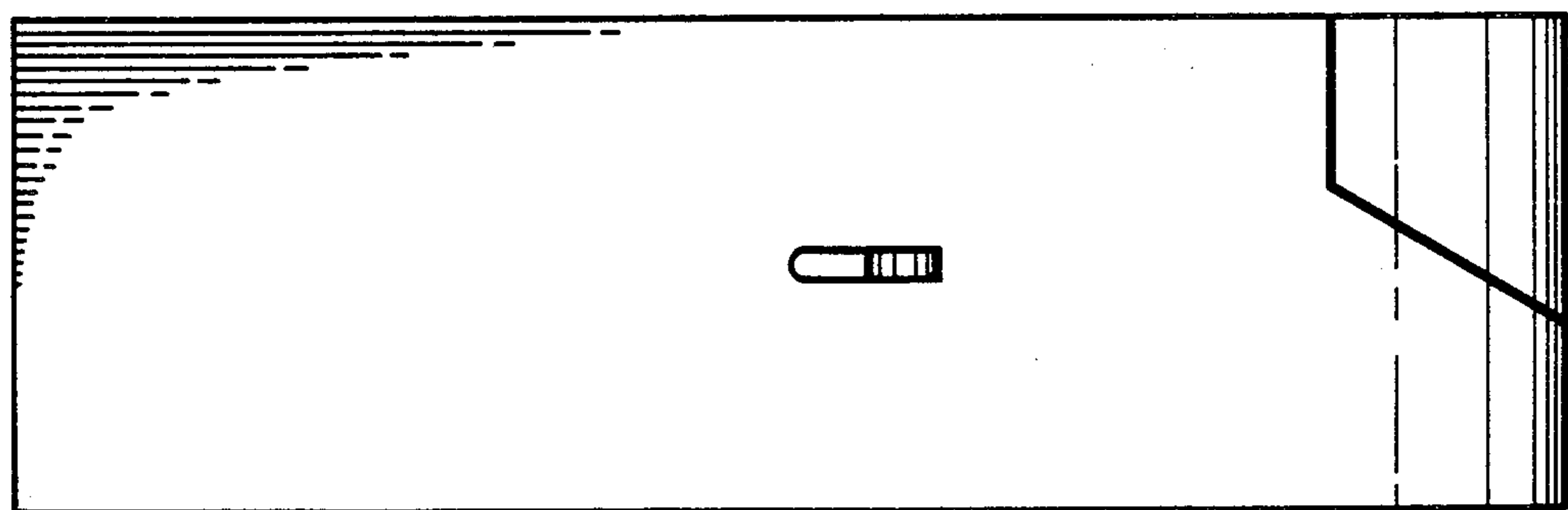


Fig. 3

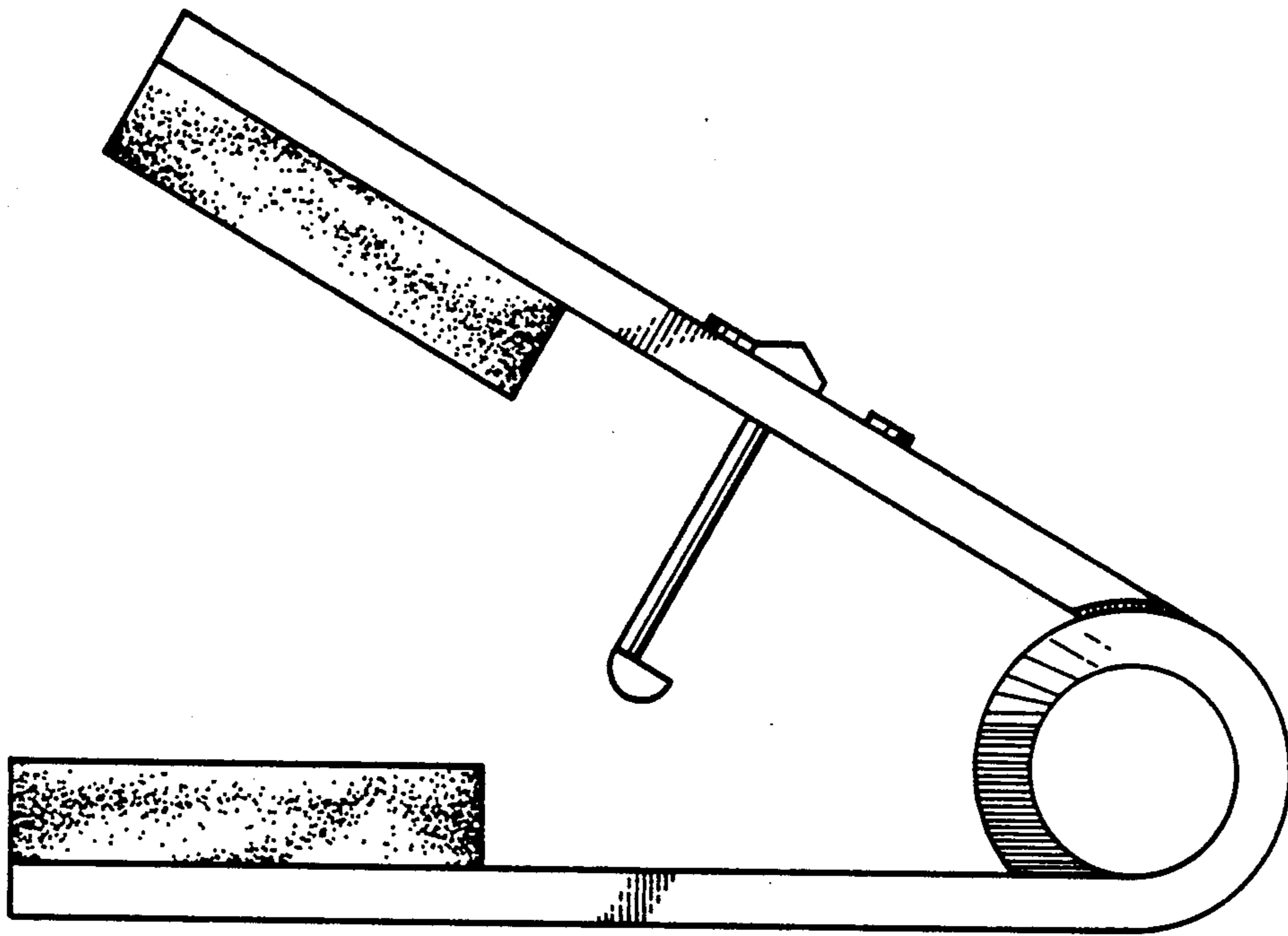


Fig. 4

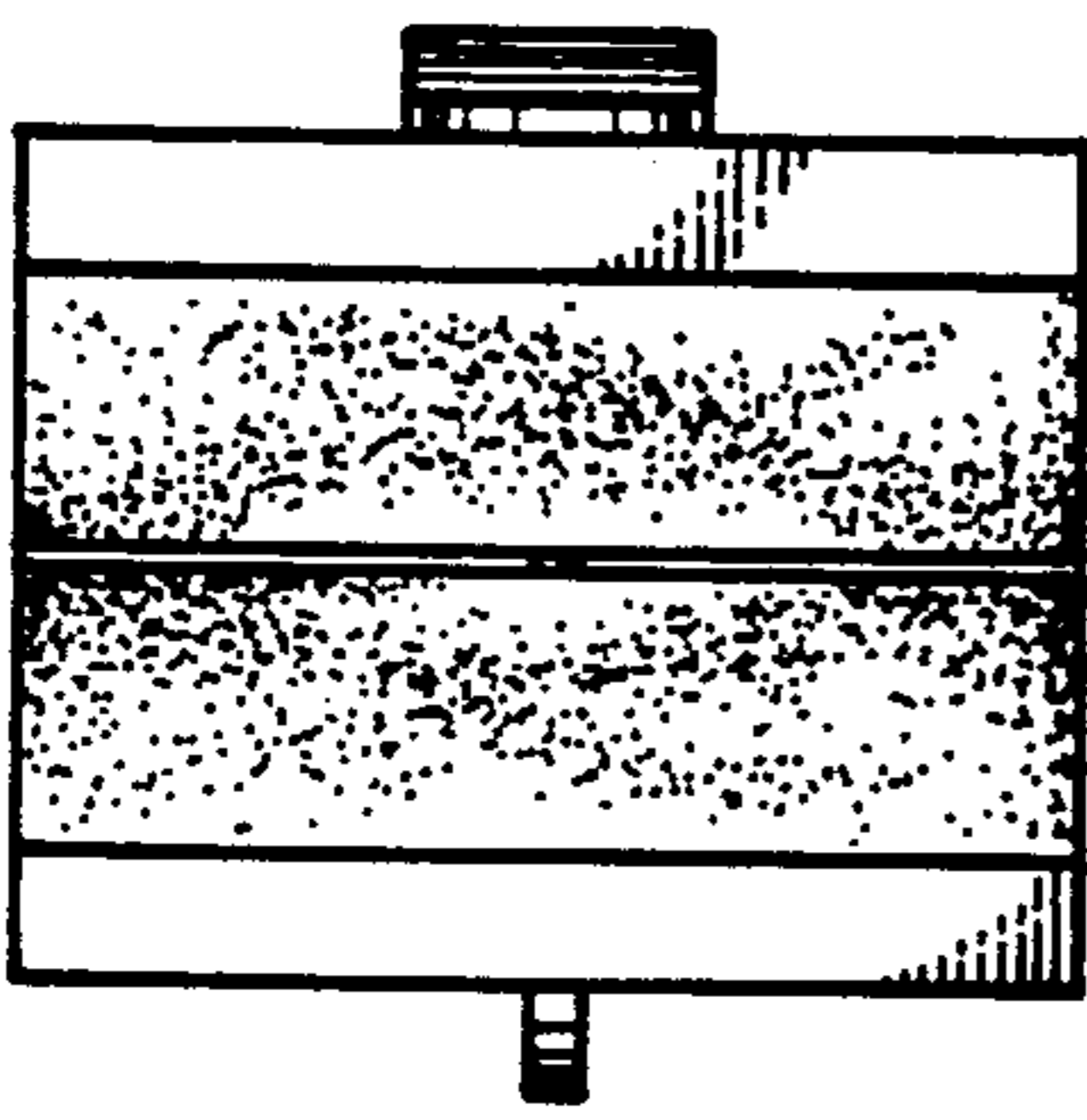


Fig. 5

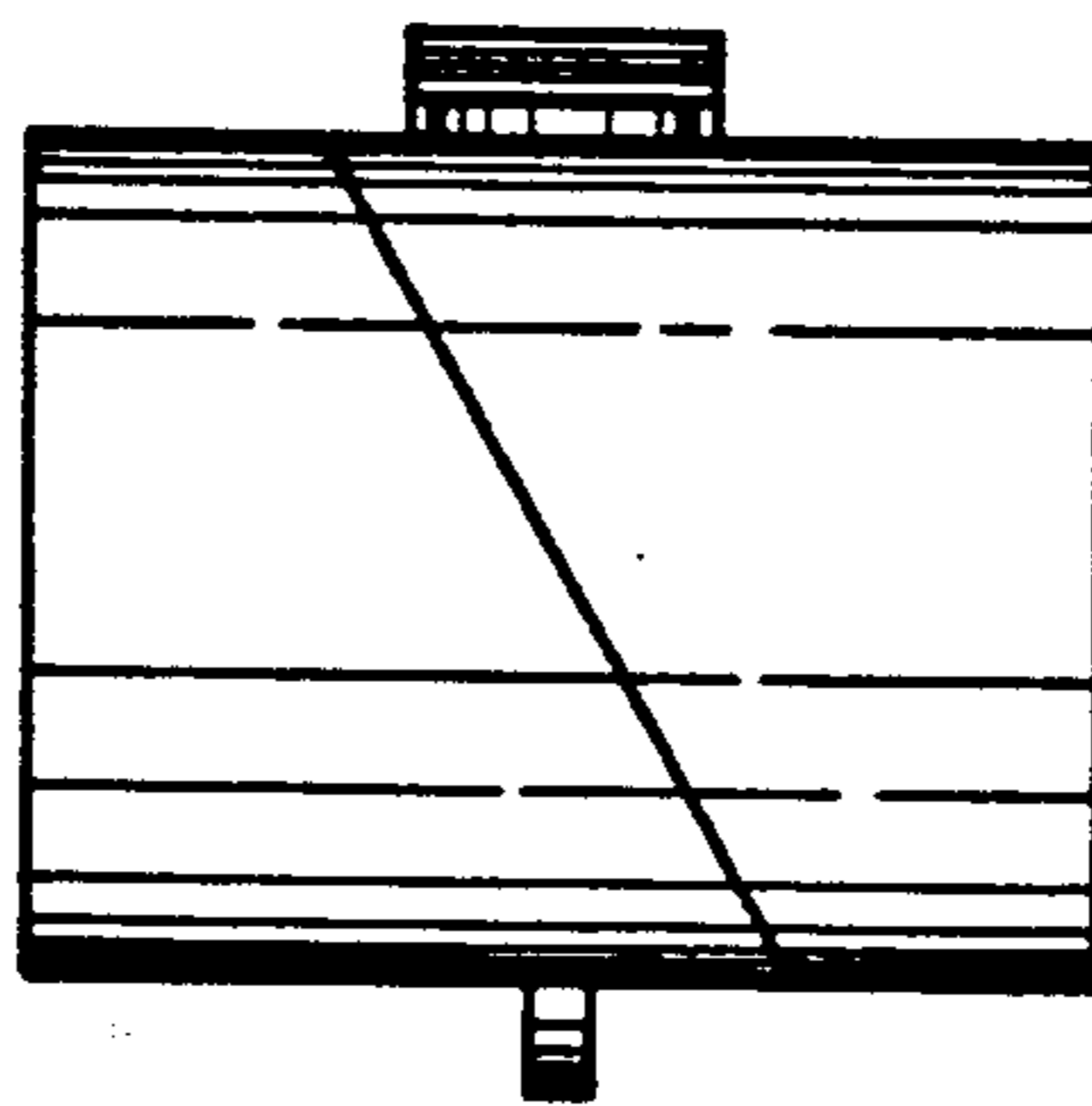


Fig. 6