

[54] CEMETERY MARKER OR THE LIKE

[75] Inventor: Joseph Miller, Richmond, Minn.

[73] Assignee: Cold Spring Granite Company, Cold Spring, Minn.

[**] Term: 14 Years

[21] Appl. No.: 724,478

[22] Filed: Apr. 18, 1985

[52] U.S. Cl. D99/17; D99/19

[58] Field of Search D99/17, 19; 52/38, 103; 40/124.5

D. 181,232 10/1957 Rettman D99/19
D. 181,371 11/1957 Rettman .
D. 182,849 5/1958 Rettman .
2,005,217 6/1935 Brumund D99/17 X
3,001,326 9/1961 O'Brien et al. .
3,142,934 8/1964 Mehling .

Primary Examiner—A. Hugo Word
Attorney, Agent, or Firm—Fleit, Jacobson, Cohn & Price

[57] CLAIM

The ornamental design for a cemetery marker or the like, as shown and described.

DESCRIPTION

FIG. 1 is a perspective view of a cemetery marker or the like showing my new design, the broken line showing of a flower vase and connecting chain is for illustrative purposes only and form no part of the claimed design.

FIG. 2 is a top plan view thereof;

FIG. 3 is a bottom view thereof;

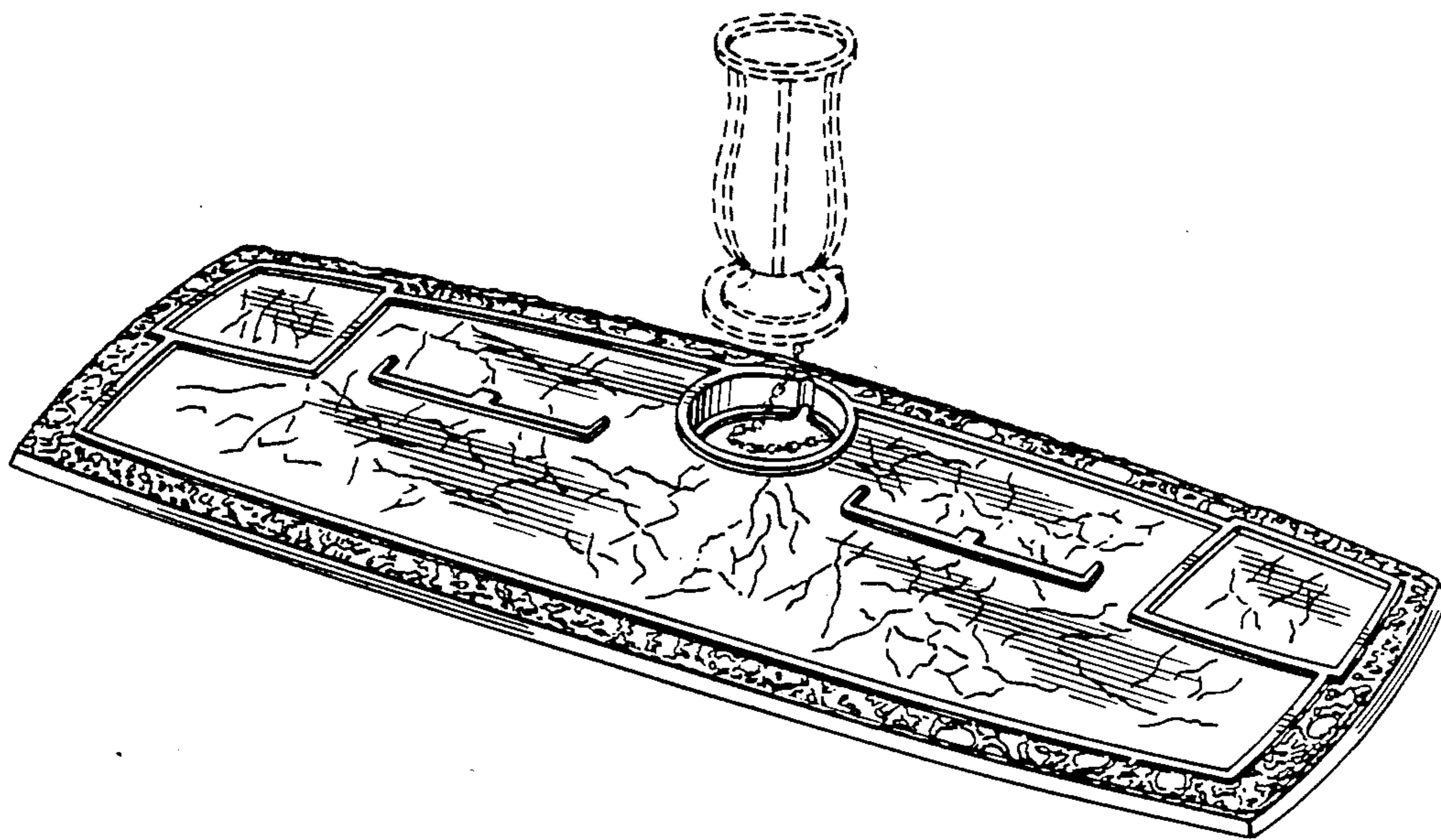
FIG. 4 is a front side view thereof, the rear side view being identical; and

FIG. 5 is a left side view thereof, the right side being identical.

[56] References Cited

U.S. PATENT DOCUMENTS

D. 91,850 3/1934 Spear D99/17
D. 102,517 12/1936 Seibert et al. D99/17
D. 173,857 1/1955 Rettman .
D. 173,858 1/1955 Rettman .
D. 177,762 5/1956 Rettman .
D. 177,763 5/1956 Rettman .
D. 179,918 3/1957 Rettman .
D. 179,919 3/1957 Rettman .



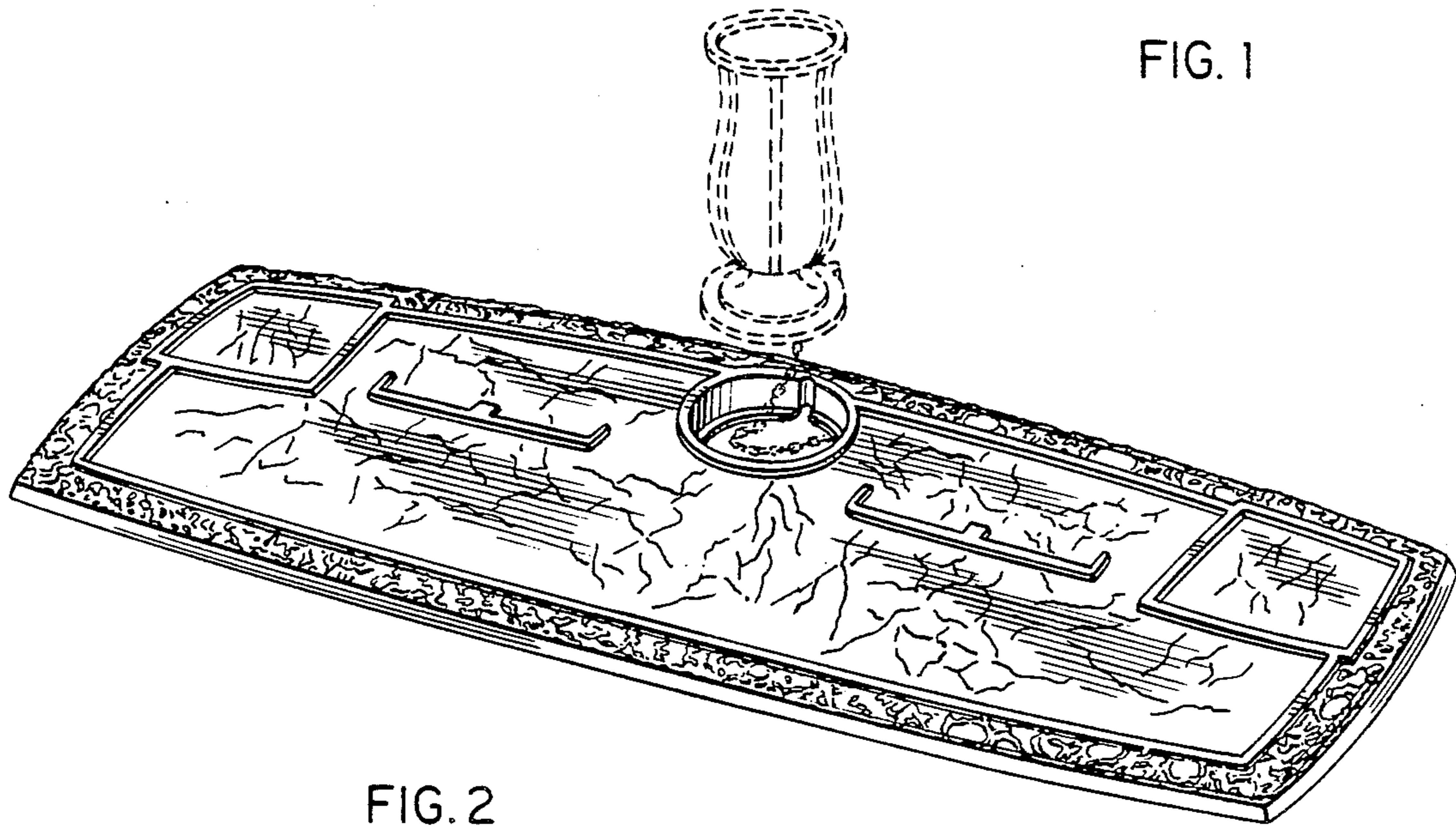


FIG. 2

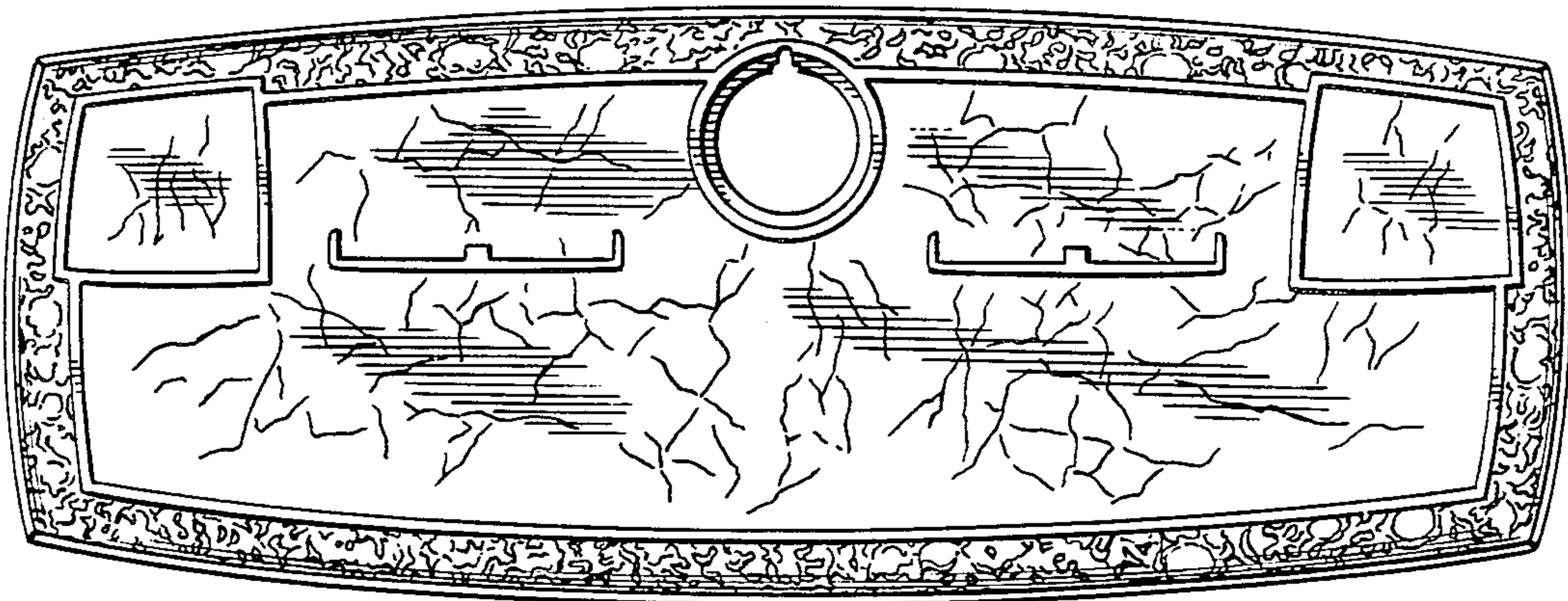


FIG. 3

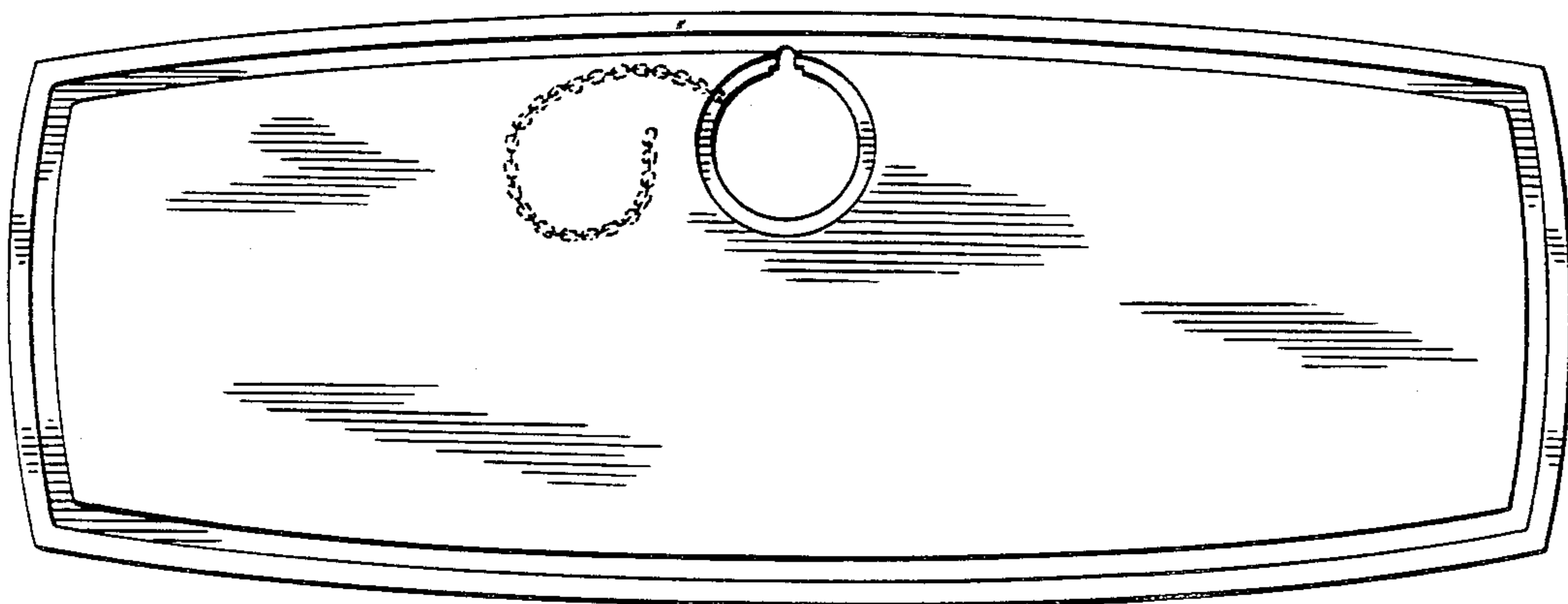


FIG. 4



FIG. 5

