

[54] **PUSHER ROLLER UNIT**

4,542,698 9/1985 Wakabayashi 104/172.3

[76] Inventor: Daniel J. MacNeil, 3205 Swansea Cres., Gloucester City, Ontario, Canada, K1G 3W5

Primary Examiner—James M. Gandy
Assistant Examiner—Kay H. Chin
Attorney, Agent, or Firm—Larson and Taylor

[**] Term: 14 Years

[57] **CLAIM**

[21] Appl. No.: 699,639

The ornamental design for a pusher roller unit, substantially as shown and described.

[22] Filed: Feb. 8, 1985

[52] U.S. Cl. D34/35; D34/29

[58] Field of Search D34/28, 29, 35; 198/732, 733; 104/172.1, 172.3, 162

[56] **References Cited**

U.S. PATENT DOCUMENTS

3,815,512 6/1974 Balas 104/172.3
4,374,496 2/1983 Hanna 104/172.3

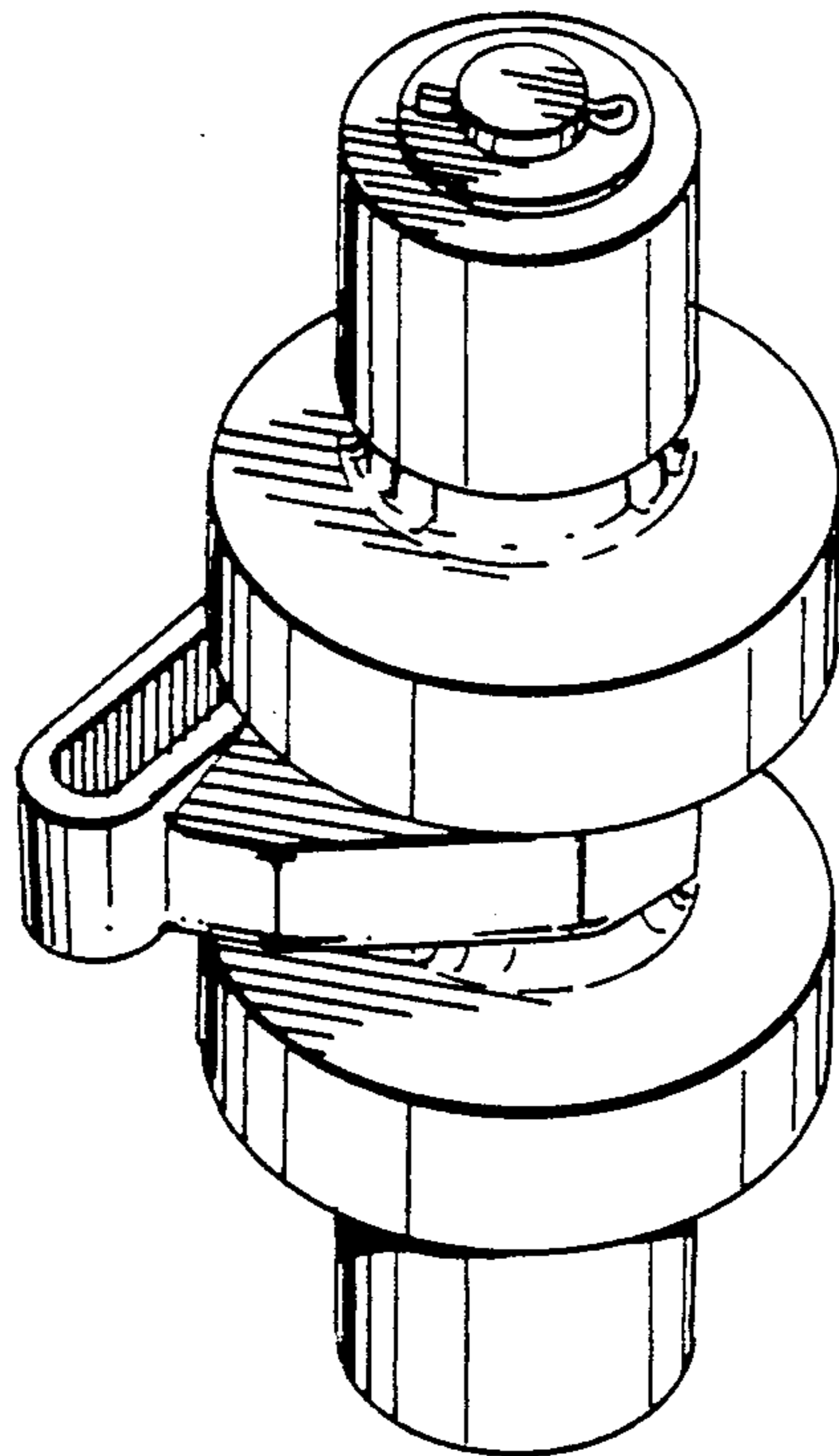
DESCRIPTION

FIG. 1 is a front elevational view of a pusher roller unit showing my new design;

FIG. 2 is a sectional view thereof, taken along the line II—II of FIG. 1;

FIG. 3 is a front perspective view thereof, the rear perspective view being a mirror image of that shown;

FIG. 4 is a top plan view thereof.



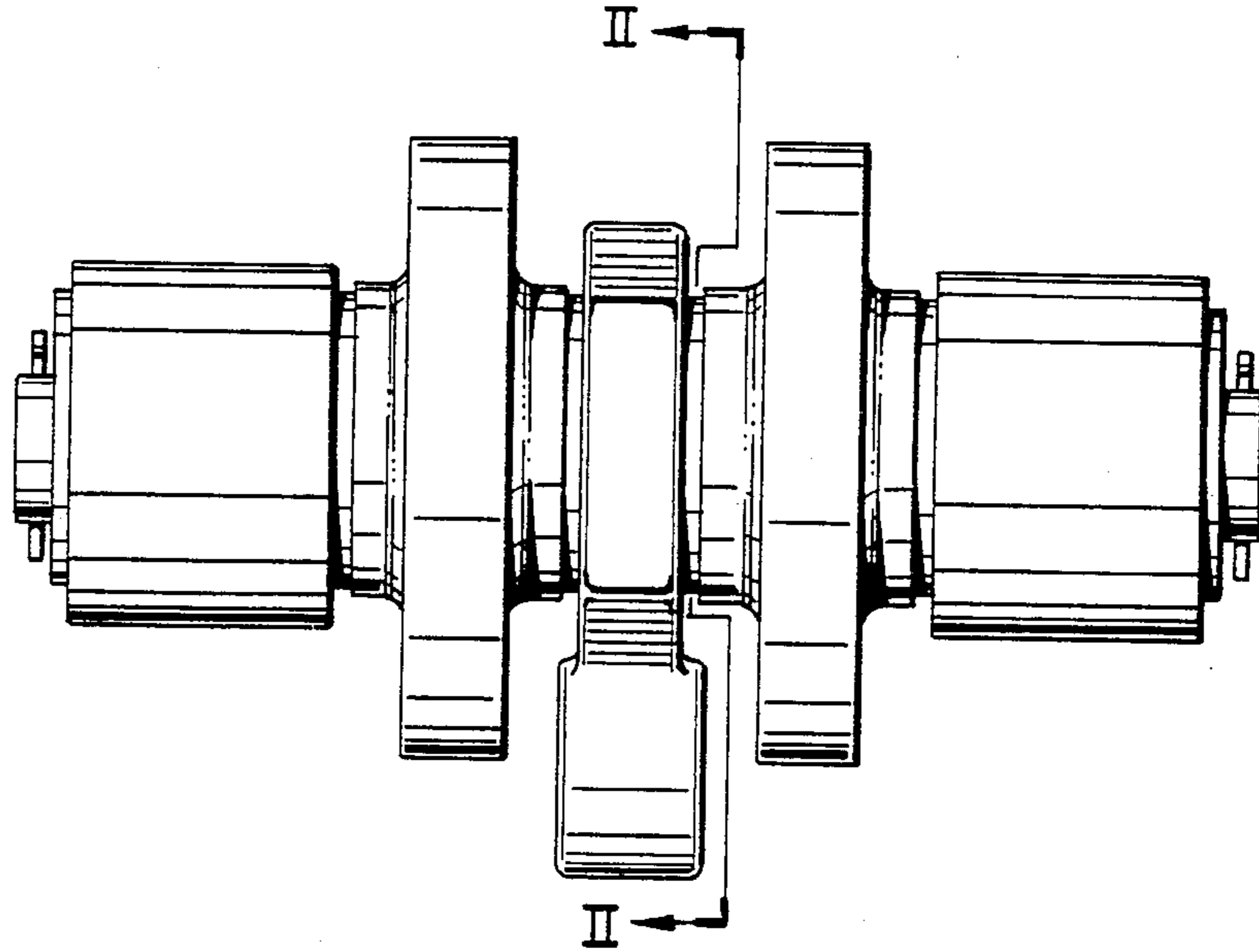


FIG. 1

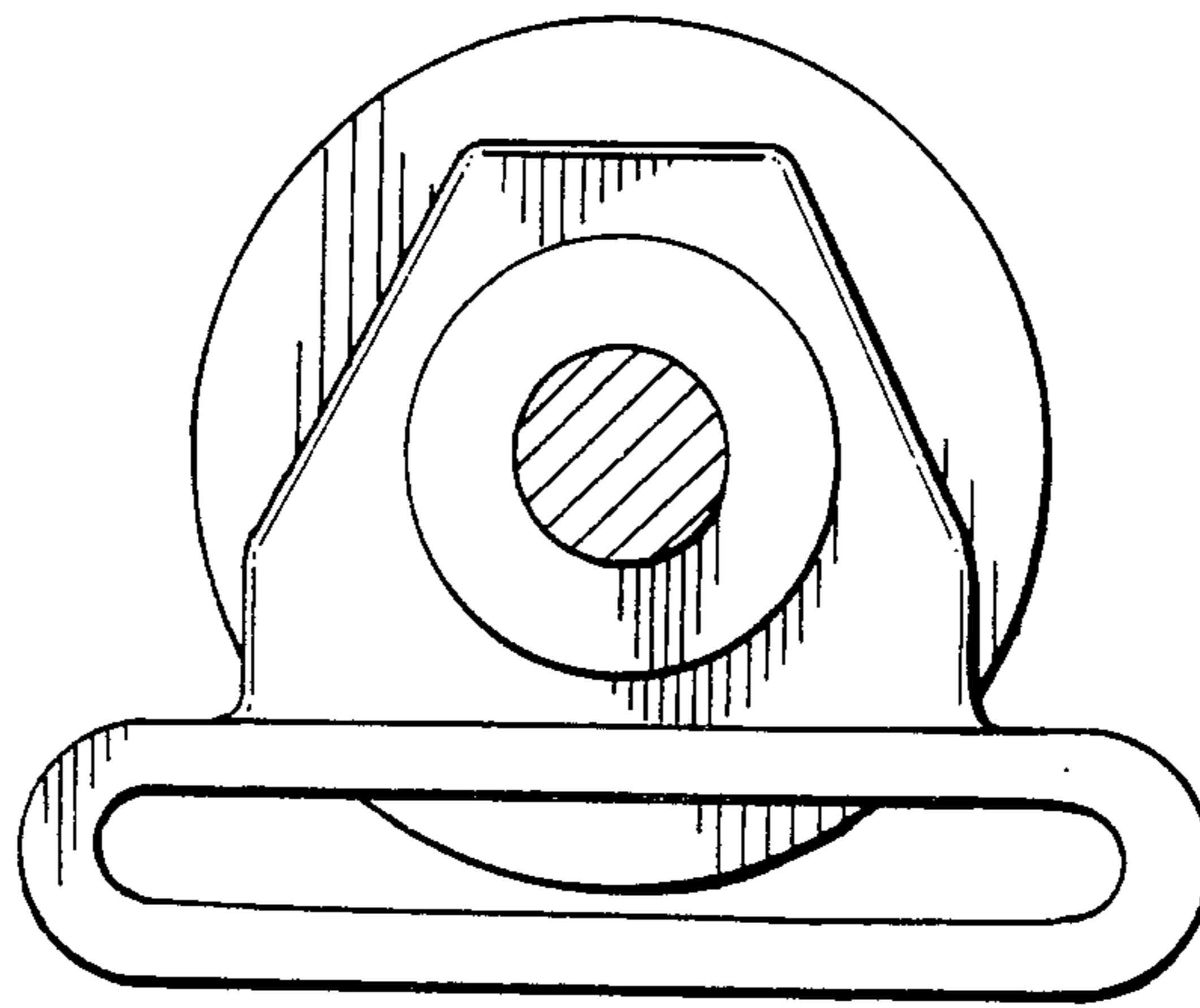


FIG. 2

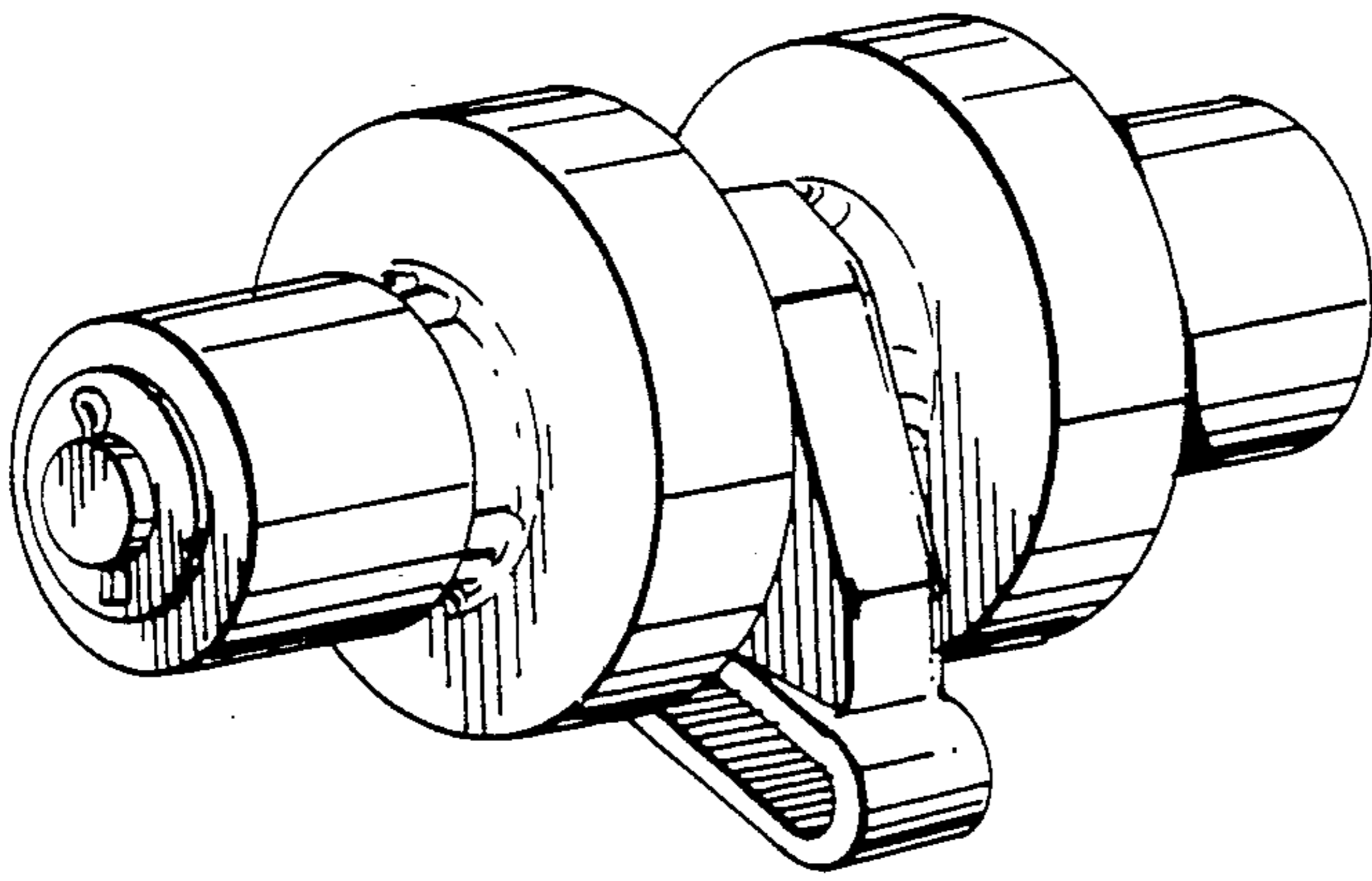


FIG. 3

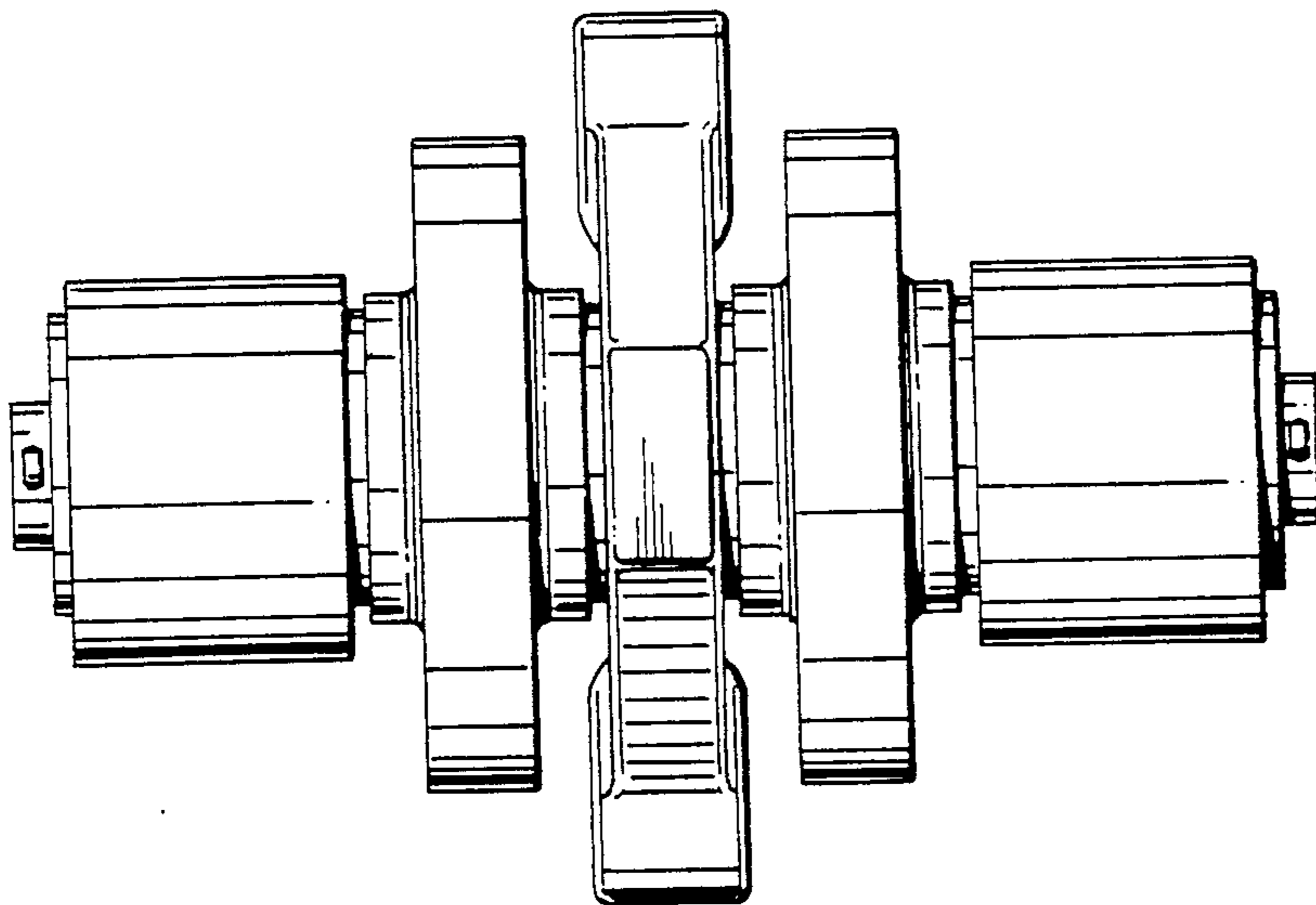


FIG. 4