

[54] **PET FEEDER**

[76] **Inventor: Richard R. Younker, 2984 Allshore, Memphis, Tenn. 38118**

[\*\*] **Term: 14 Years**

[21] **Appl. No.: 858,307**

[22] **Filed: May 1, 1986**

[52] **U.S. Cl. .... D30/129**

[58] **Field of Search .... D30/13-17; 119/61**

2,555,396 6/1951 Cosner ..... 119/51.5  
 2,659,345 11/1953 Herbert ..... 119/61 X  
 2,841,114 7/1958 Grant ..... 119/61 X  
 2,845,896 8/1958 Copeland ..... 119/61 X  
 3,651,787 3/1972 Cooper ..... 119/61 X  
 3,776,193 12/1973 Post, Sr. .... 119/51.5  
 4,044,723 8/1977 Fitzpatrick ..... 119/61

*Primary Examiner—James R. Largen*  
*Attorney, Agent, or Firm—John J. Mulrooney*

[57] **CLAIM**

The ornamental design for a pet feeder, as shown and described.

[56] **References Cited**

**U.S. PATENT DOCUMENTS**

D. 89,262 2/1933 Nunimaker ..... D30/16  
 D. 105,450 7/1937 Clifton ..... D30/16  
 D. 151,473 10/1948 Stahler ..... D30/16  
 D. 241,255 8/1976 D'Angelo ..... D30/13  
 D. 258,018 1/1981 Venditto et al. .... D30/16  
 D. 274,660 7/1984 Williams ..... D30/13  
 1,855,314 4/1932 Schacht ..... 119/61 X

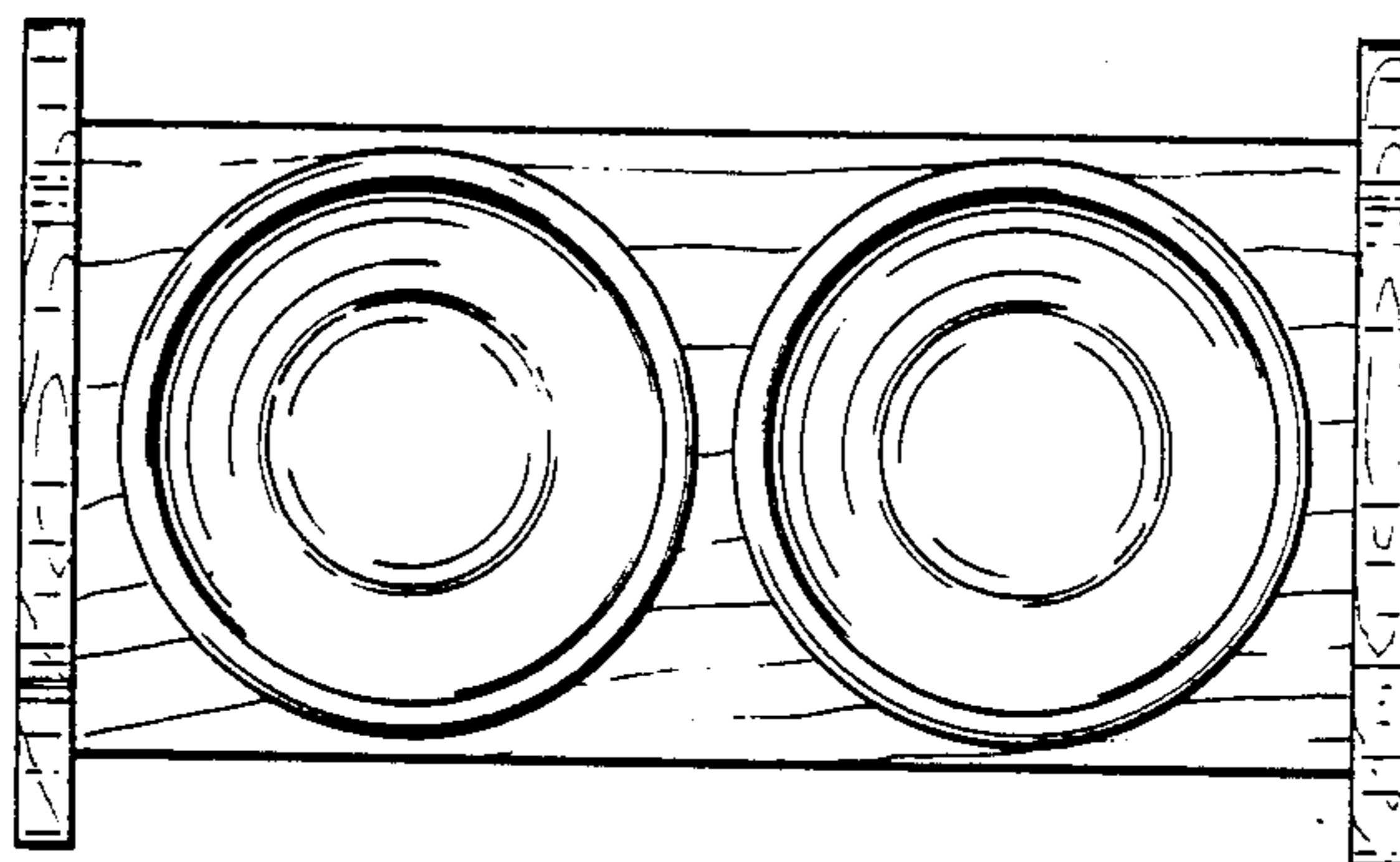
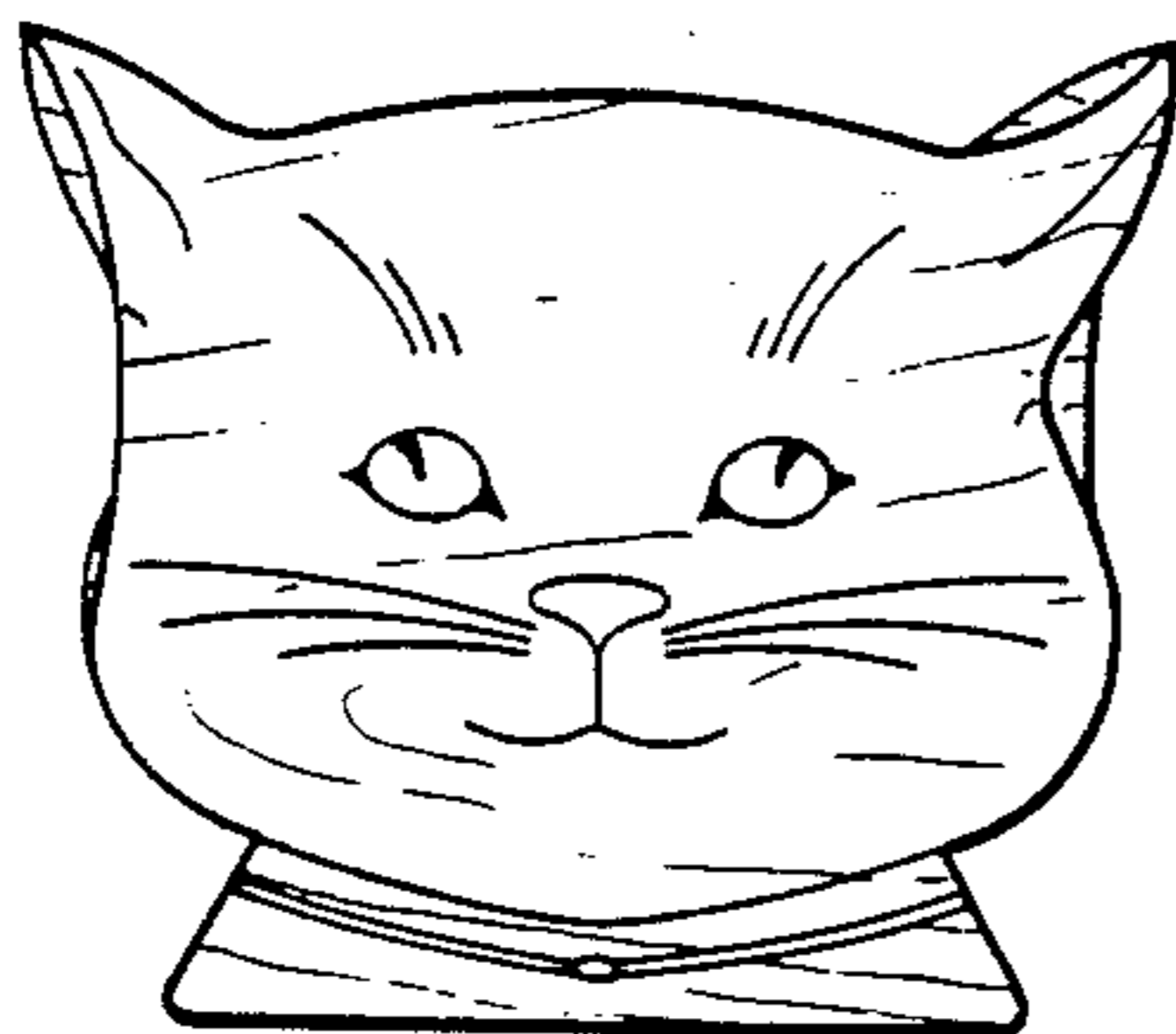
**DESCRIPTION**

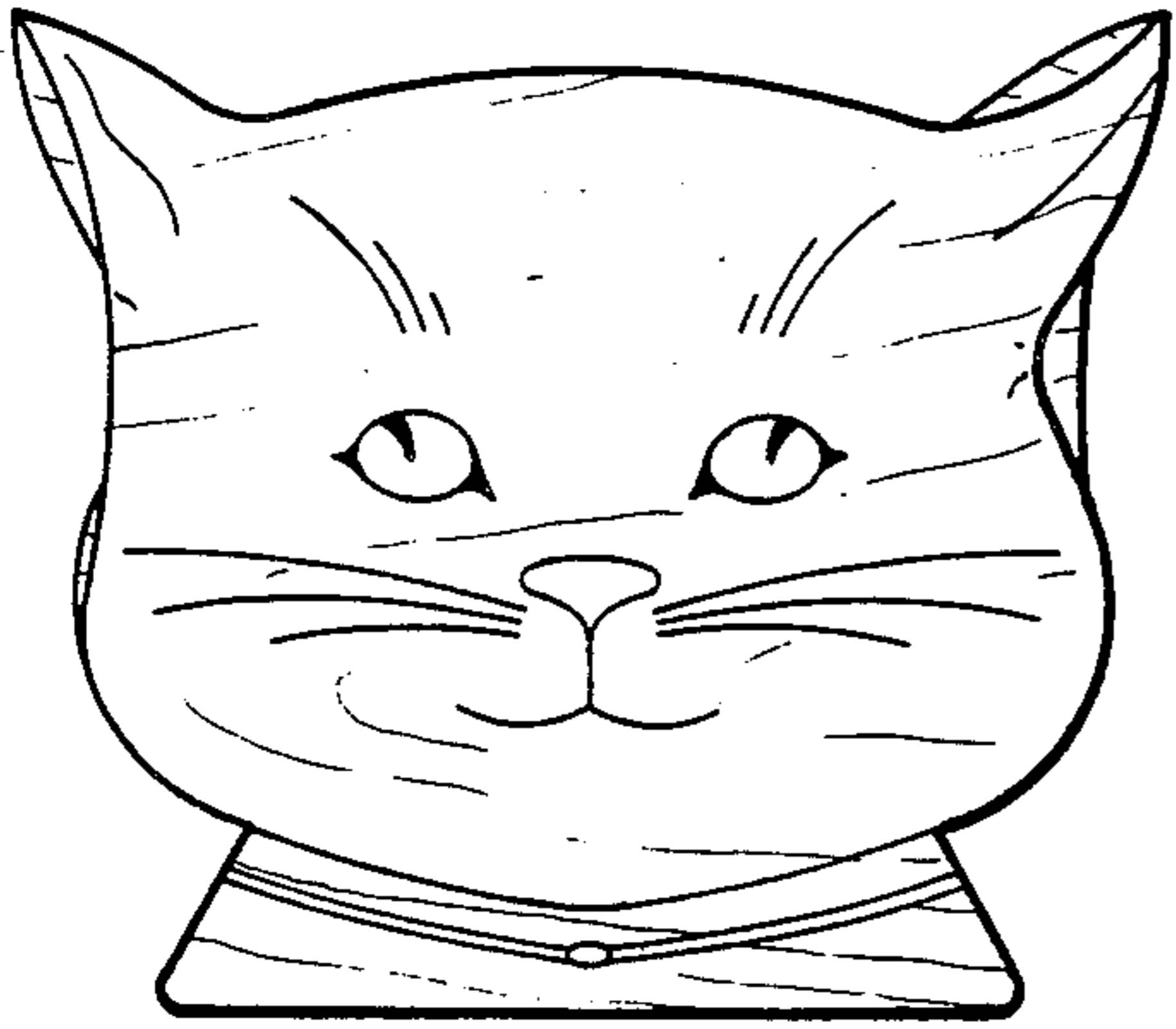
FIG. 1 is a side elevational view of a pet feeder, showing my new design, the opposite side being the same as the side shown;

FIG. 2 is a top plan view thereof;

FIG. 3 is a front elevational view thereof, the rear being the same as the front shown;

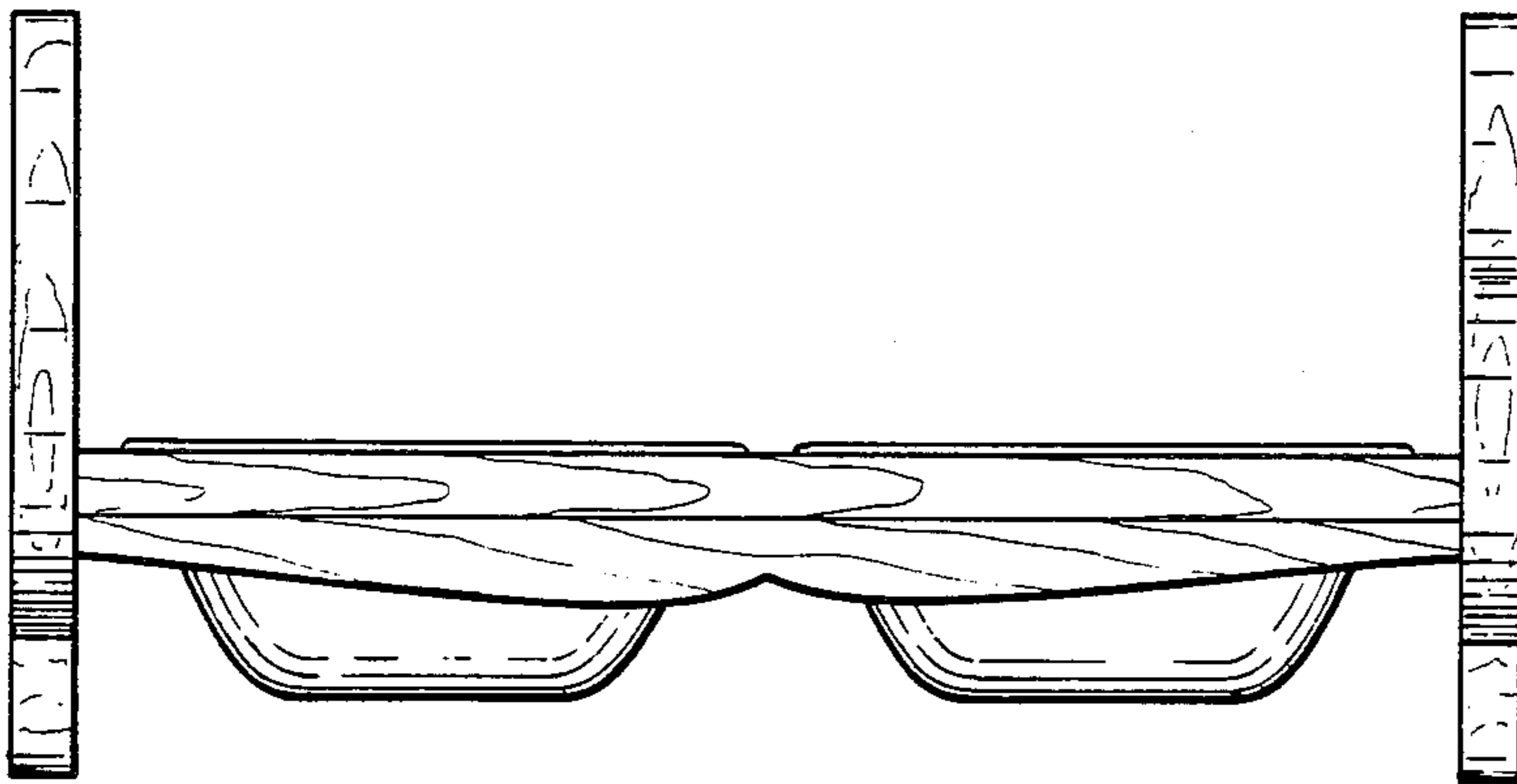
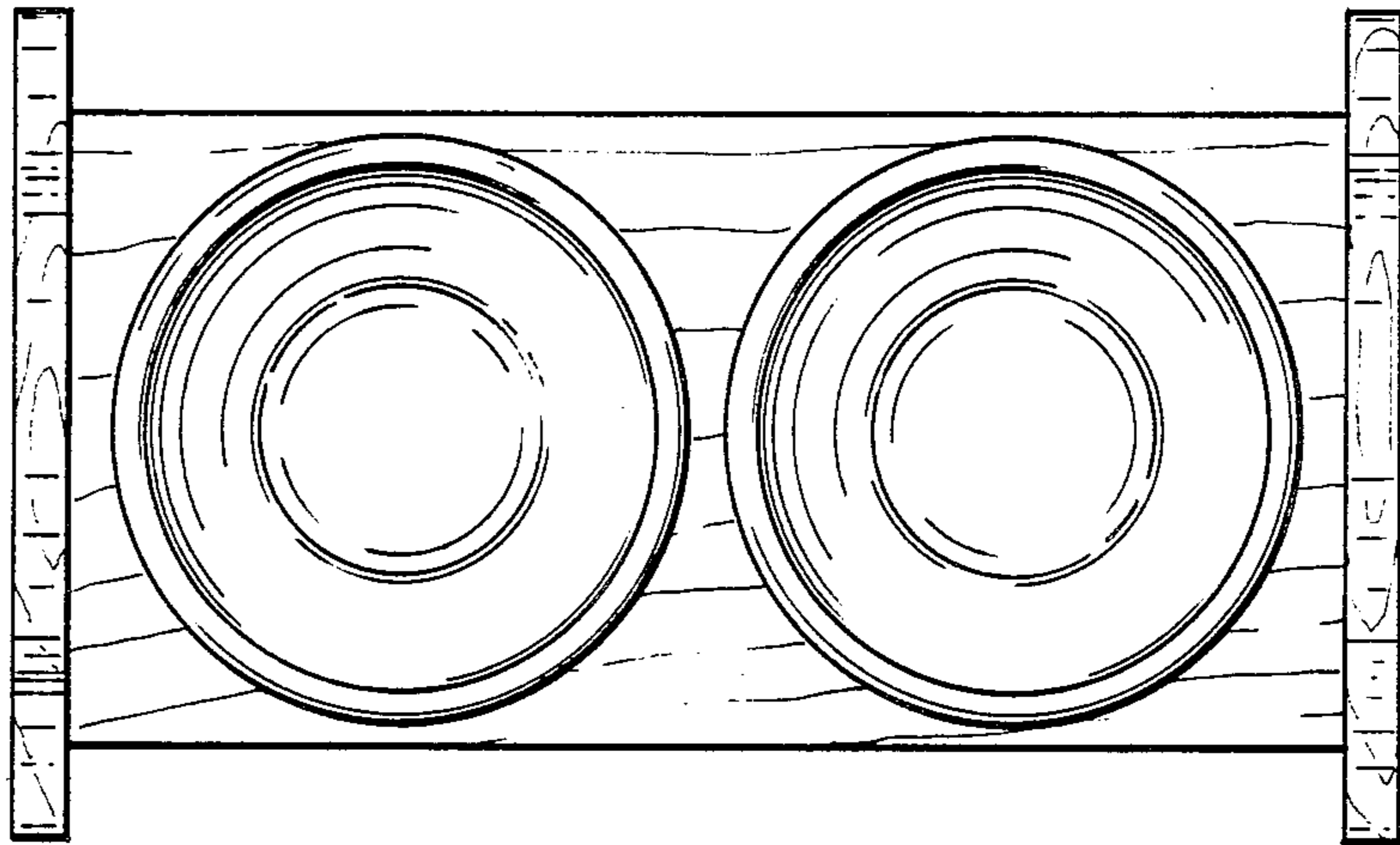
FIG. 4 is a bottom plan view thereof.





*FIG. 1*

*FIG. 2*



*FIG. 3*

*FIG. 4*

