

[54] ADJUSTABLE DIRECTIONAL LIGHTING UNIT OR SIMILAR ARTICLE

[75] Inventor: Martin L. Lasker, Edison, N.J.

[73] Assignee: Prescolite, Inc., San Leandro, Calif.

[\*\*] Term: 14 Years

[21] Appl. No.: 783,838

[22] Filed: Oct. 8, 1985

[52] U.S. Cl. .... D26/65; D26/87

[58] Field of Search ..... D26/60-66, D26/80-92; 362/418, 427, 269, 275, 432, 362, 404

[56] References Cited

U.S. PATENT DOCUMENTS

- D. 264,007 4/1982 Heritage ..... D26/63
- 2,649,535 8/1953 Feder ..... 362/275

OTHER PUBLICATIONS

Form, 11-1979, p. 46, top, right, "Master-Tube" Lighting Fixture.

Lightolier, "Light Book", ©1981, p. 113, Limelite Flood Light.  
Thomas, Lighting Catalog ©1979, p. 150, Tracklight T-4740-39.

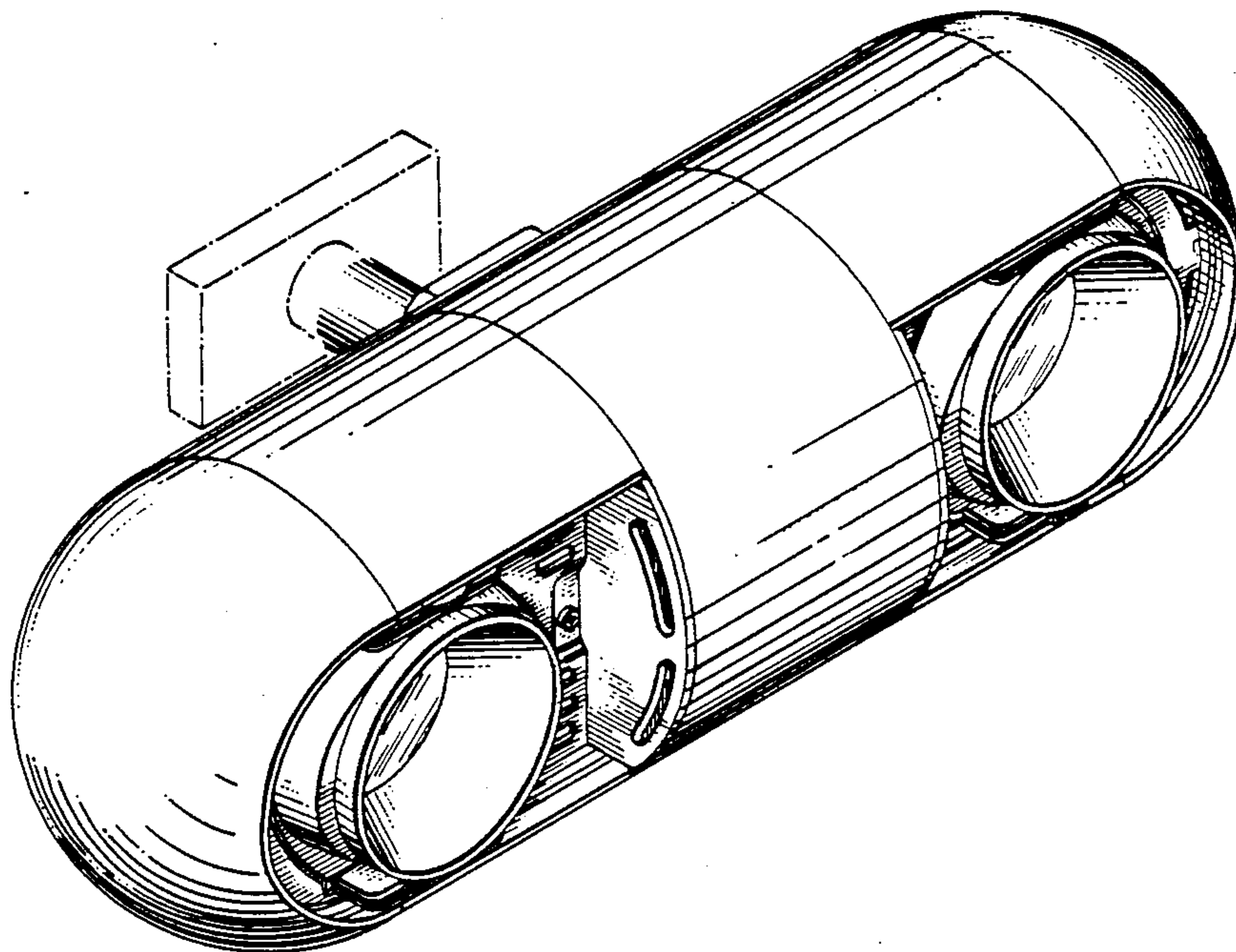
Primary Examiner—Susan J. Lucas  
Attorney, Agent, or Firm—Bielen & Peterson

[57] CLAIM

The ornamental design for adjustable directional lighting unit or similar article, substantially as shown and described.

DESCRIPTION

FIG. 1 is a top, front and left side perspective view of the adjustable directional lighting unit or similar article showing my new design;  
 FIG. 2 is a top plan view thereof;  
 FIG. 3 is a left side elevational view thereof, the lamp holding portion being rotated downwardly, the opposite side being a mirror image;  
 FIG. 4 is a rear elevational view thereof;  
 FIG. 5 is a bottom plan view thereof;  
 FIG. 6 is a front elevational view thereof.  
 The support bracket is shown in broken lines for illustrative purposes only.



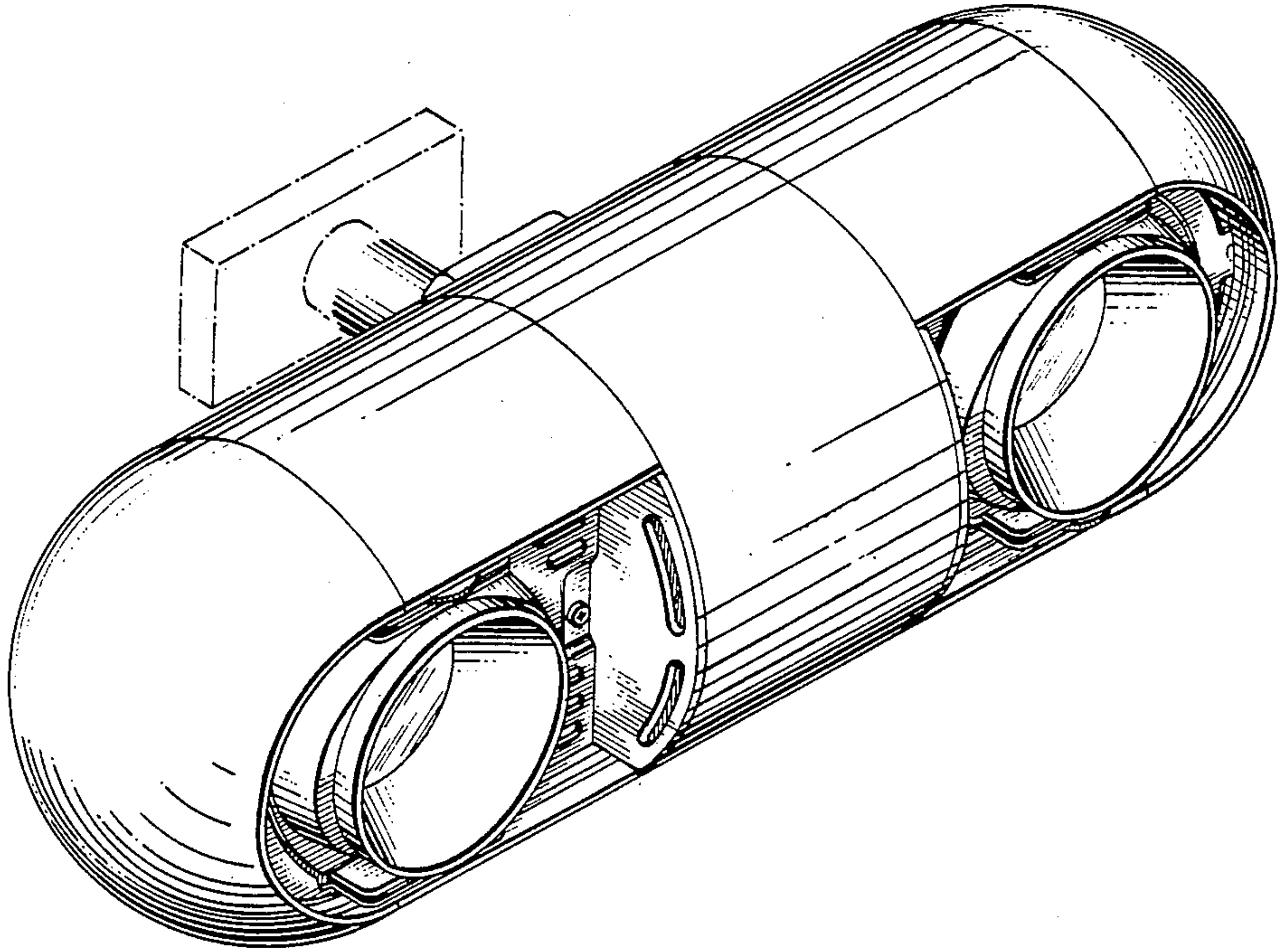


FIG-1

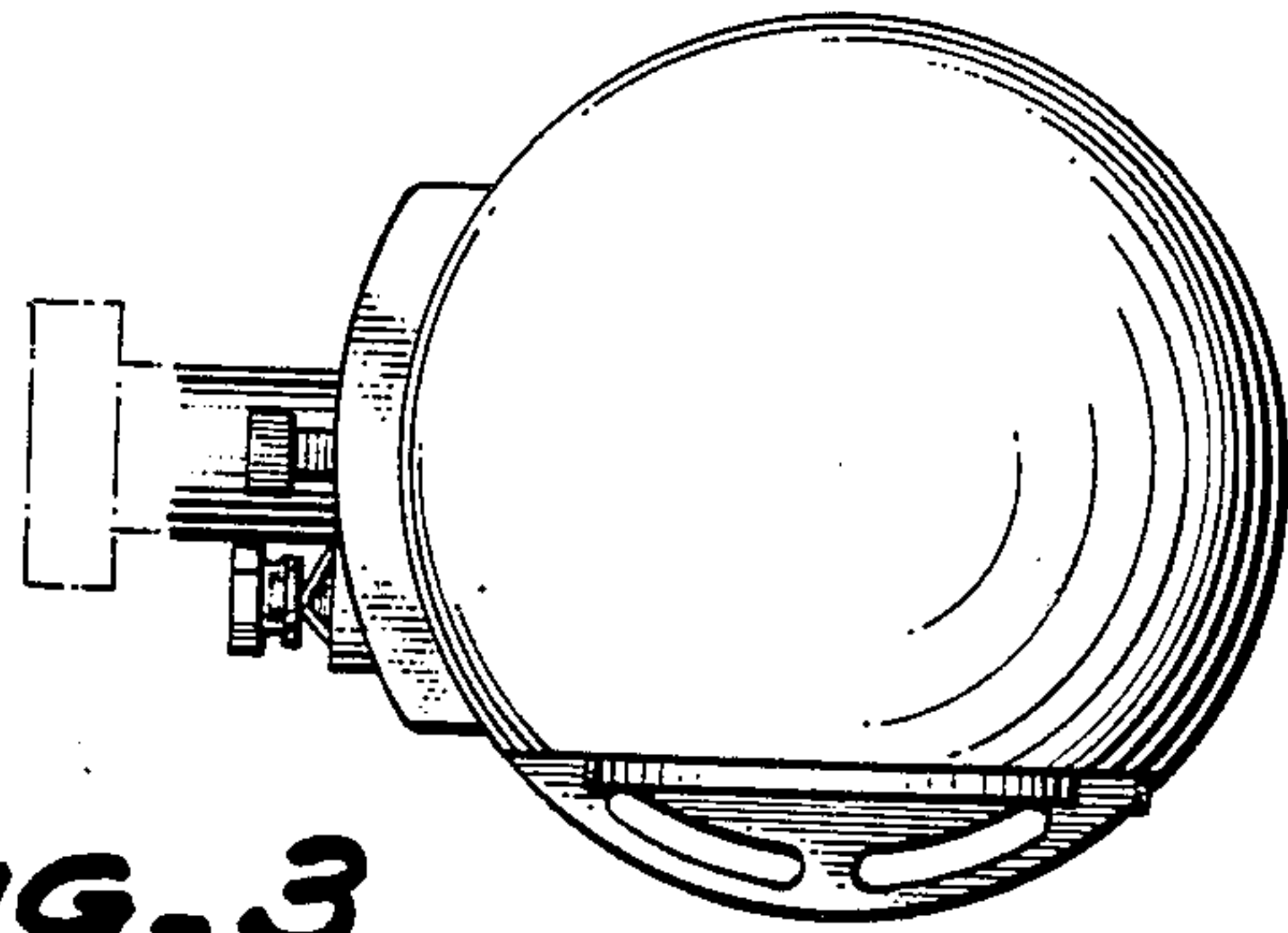


FIG-3

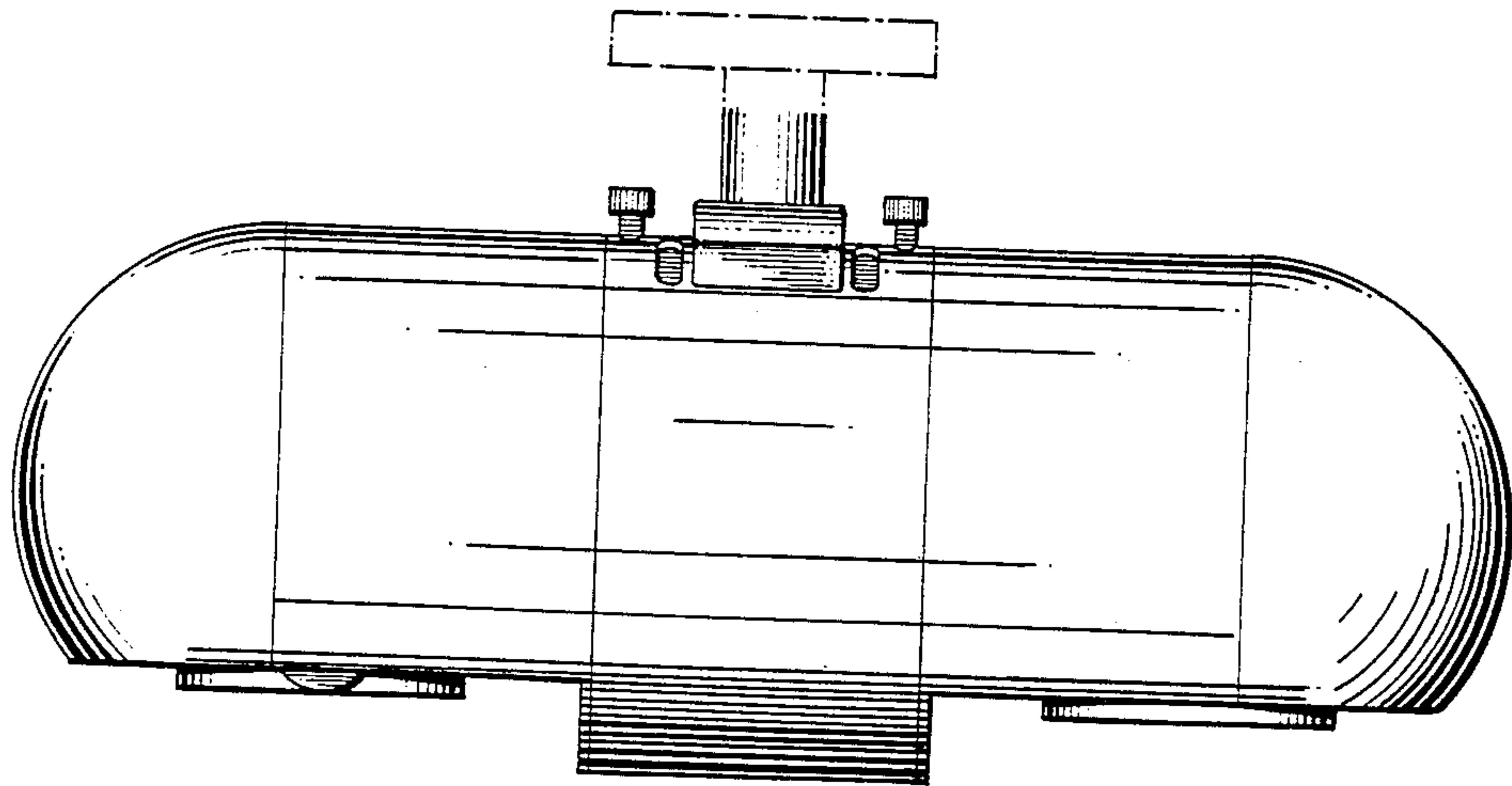


FIG-2

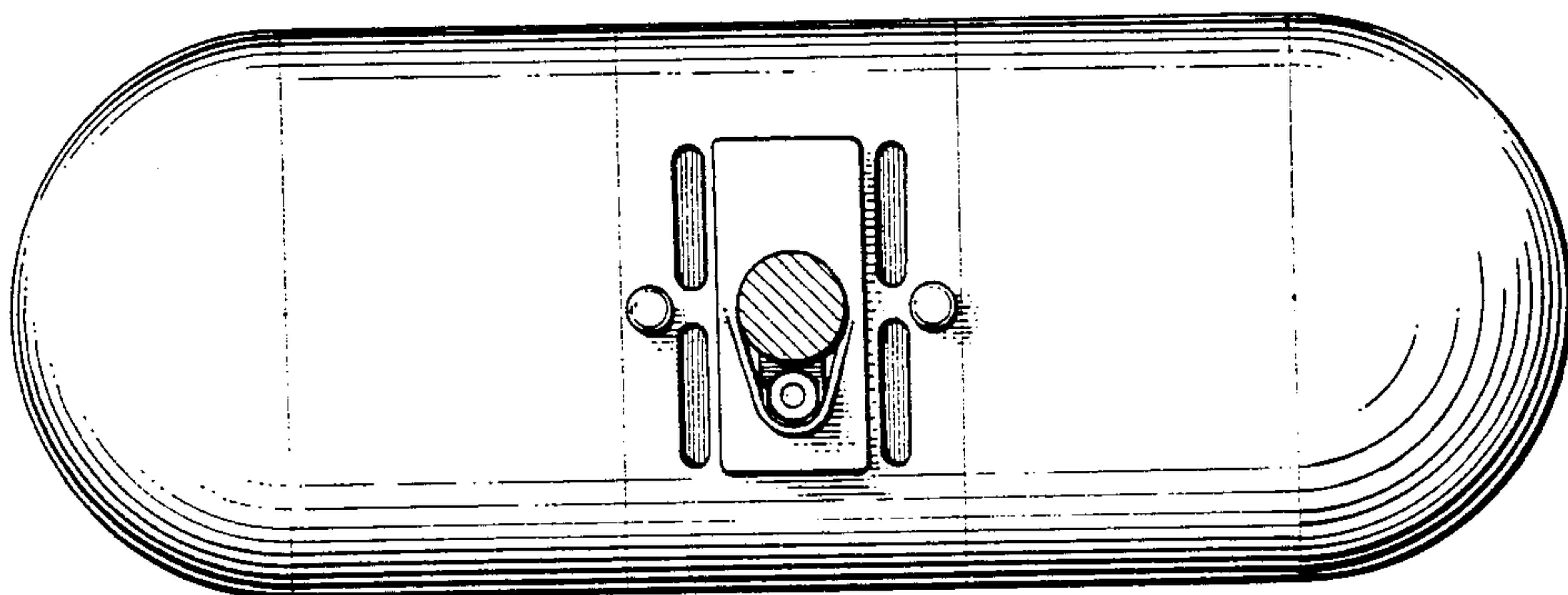


FIG-4

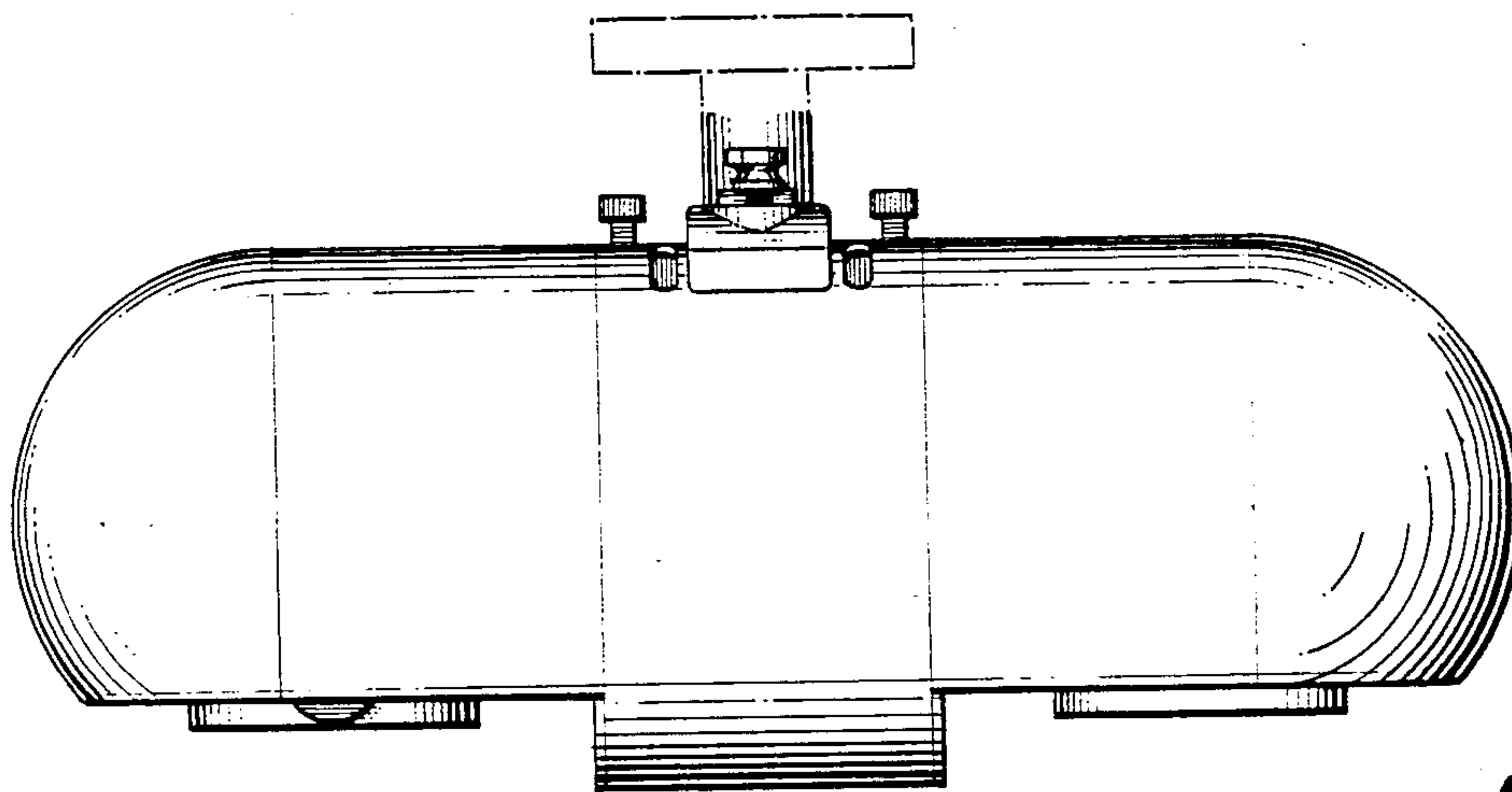


FIG-5

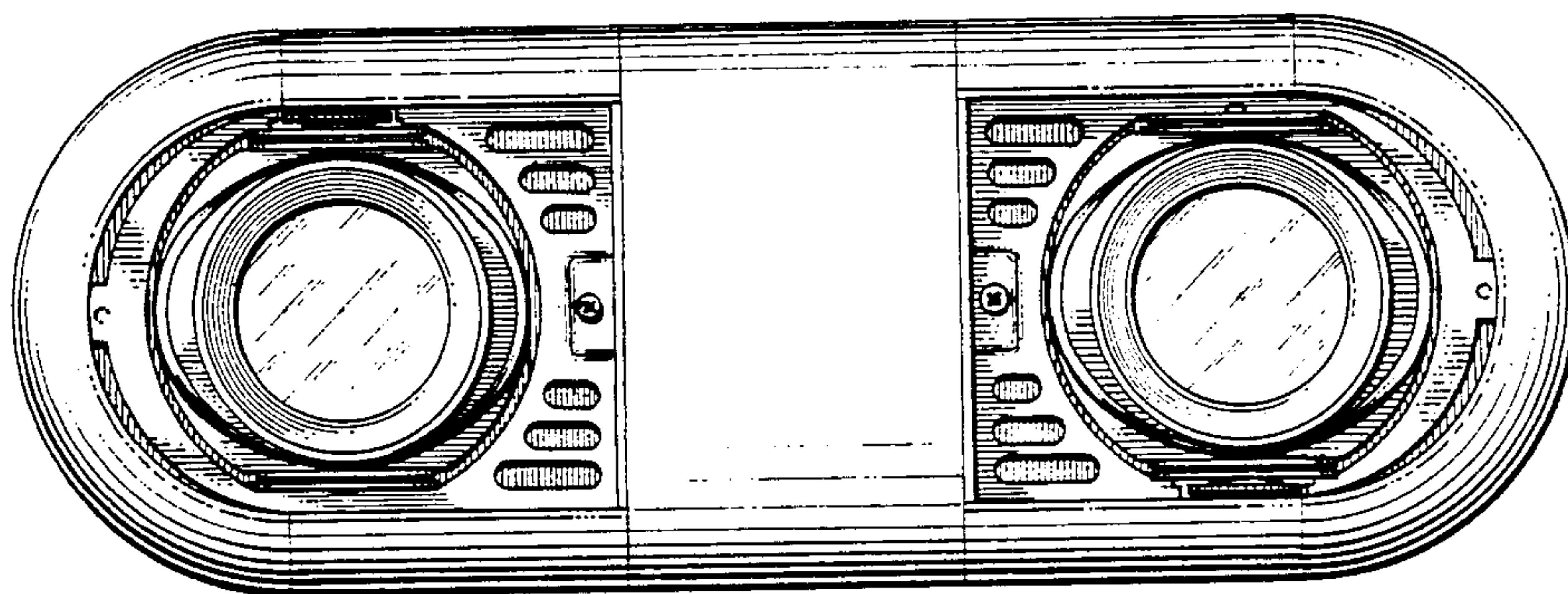


FIG-6