

[54] **FLASHLIGHT OR THE LIKE**  
 [75] **Inventor:** Howard L. Rauch, Old Saybrook, Conn.  
 [73] **Assignee:** North American Philips Corporation, New York, N.Y.  
 [\*] **Notice:** The portion of the term of this patent subsequent to Sep. 3, 1999 has been disclaimed.  
 [\*\*] **Term:** 14 Years  
 [21] **Appl. No.:** 709,156  
 [22] **Filed:** Mar. 7, 1985  
 [52] **U.S. Cl.** ..... D26/48  
 [58] **Field of Search** ..... D26/37-50; 362/157, 158, 183-191, 194-205; D32/17, 18

D. 173,937 2/1955 Crawford ..... D26/48  
 D. 280,453 9/1985 Tsuji ..... D32/18  
 D. 285,975 9/1986 Ma ..... D26/42  
 4,422,130 12/1983 Shigeo ..... 362/183

**FOREIGN PATENT DOCUMENTS**

1554964 12/1968 France ..... 362/186

*Primary Examiner*—Susan J. Lucas  
*Attorney, Agent, or Firm*—Thomas A. Briody; William J. Streeter; Ernestine C. Bartlet

[57] **CLAIM**

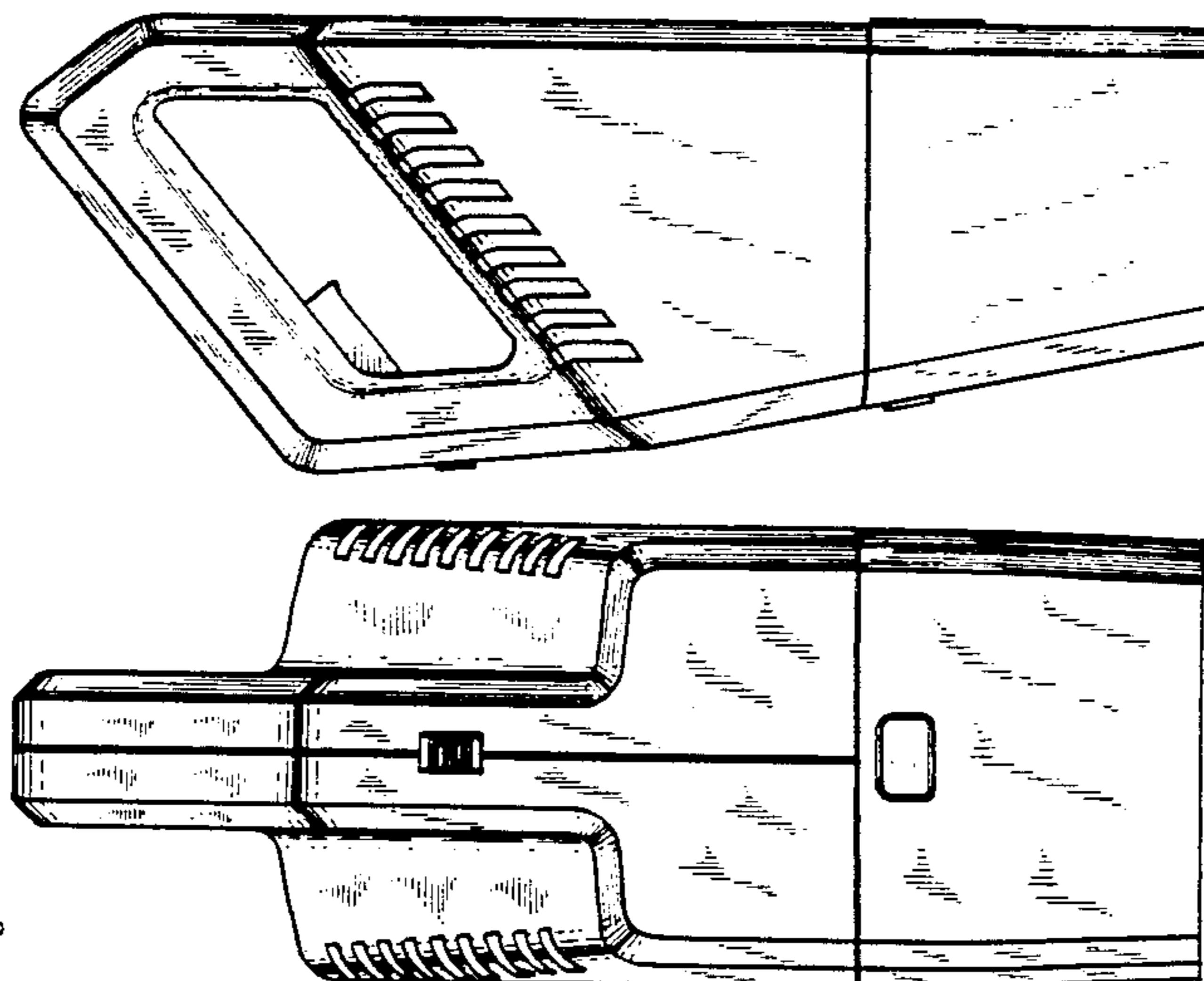
The ornamental design for a flashlight or the like, as shown and described.

**DESCRIPTION**

FIG. 1 is a top plan view of a flashlight or the like showing my new design;  
 FIG. 2 is a left-side elevational view thereof, the right-side elevational view being a mirror image;  
 FIG. 3 is a bottom plan view thereof;  
 FIG. 4 is a front elevational view thereof; and  
 FIG. 5 is a rear elevational view thereof.

[56] **References Cited**  
**U.S. PATENT DOCUMENTS**

D. 148,982 3/1948 Cruze ..... D26/48



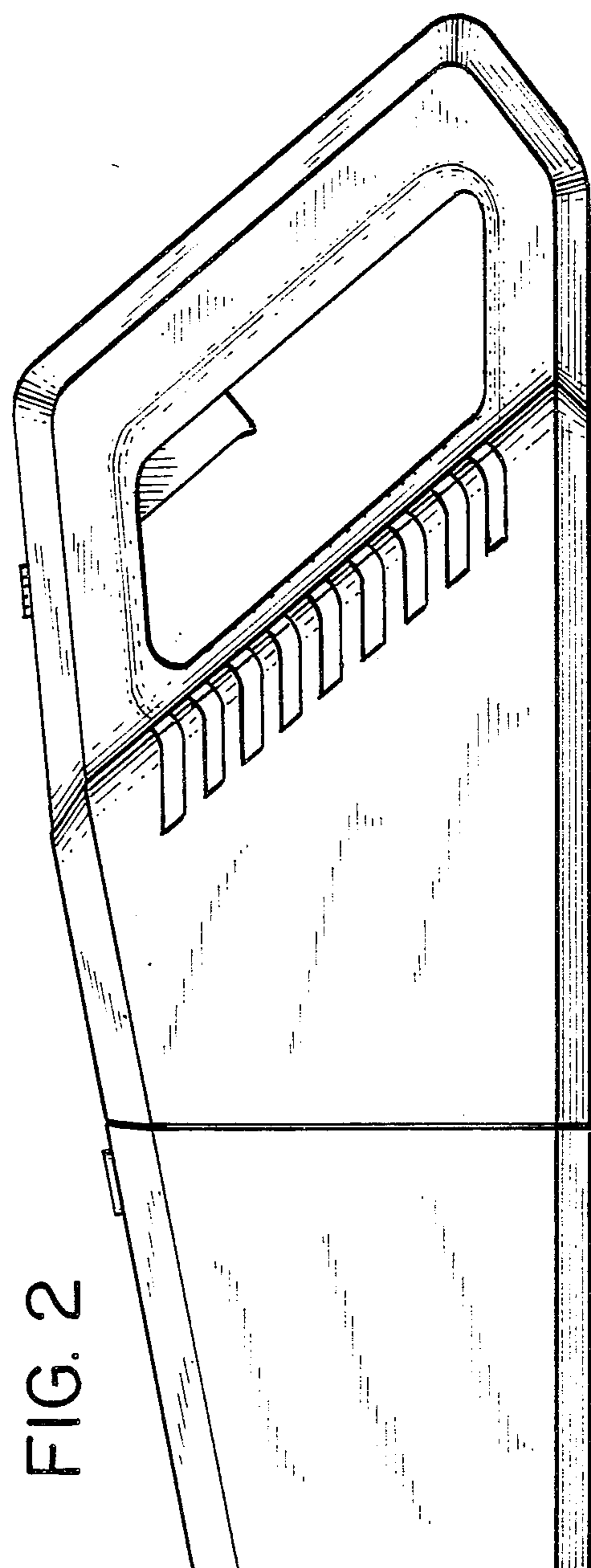
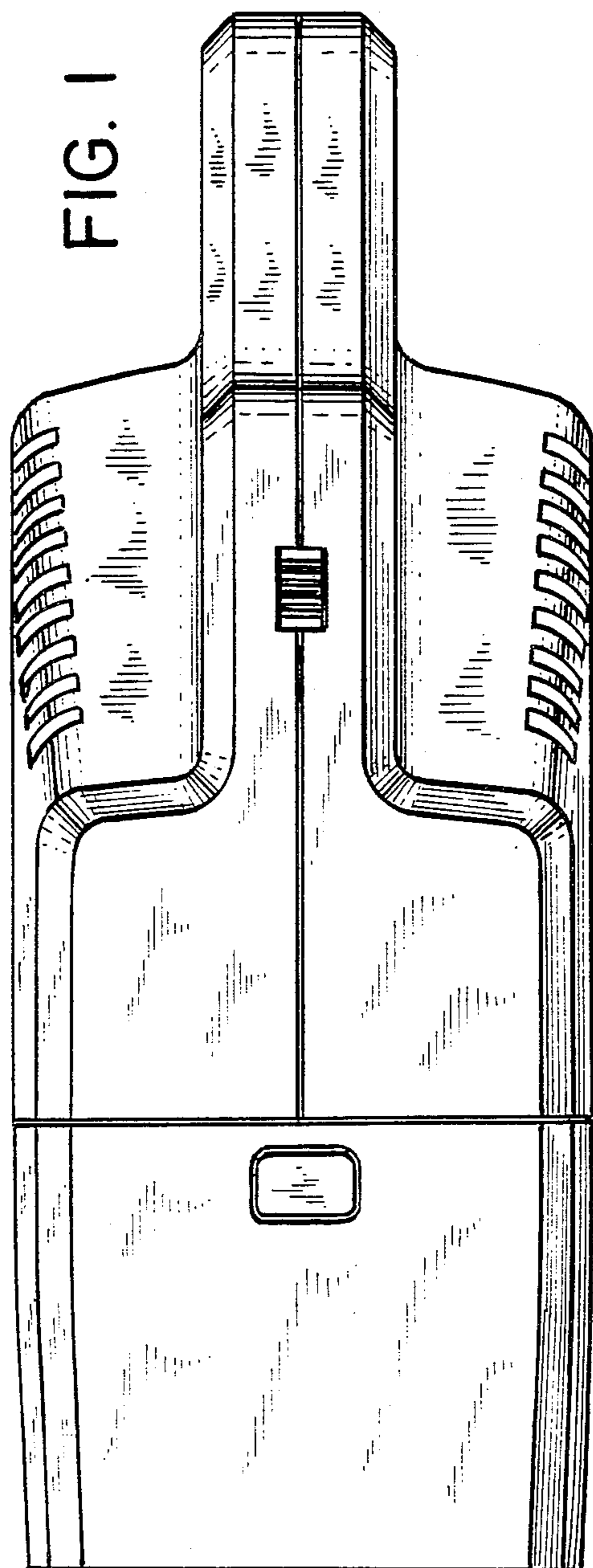


FIG. 3

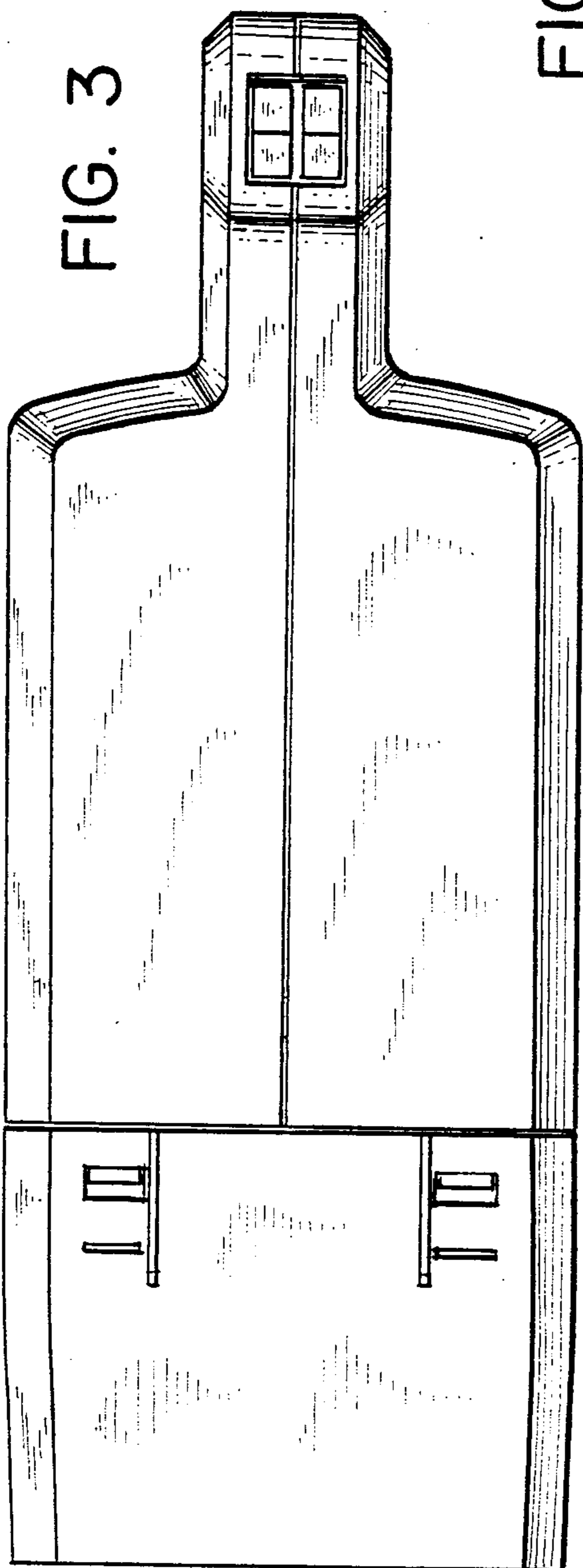


FIG. 5

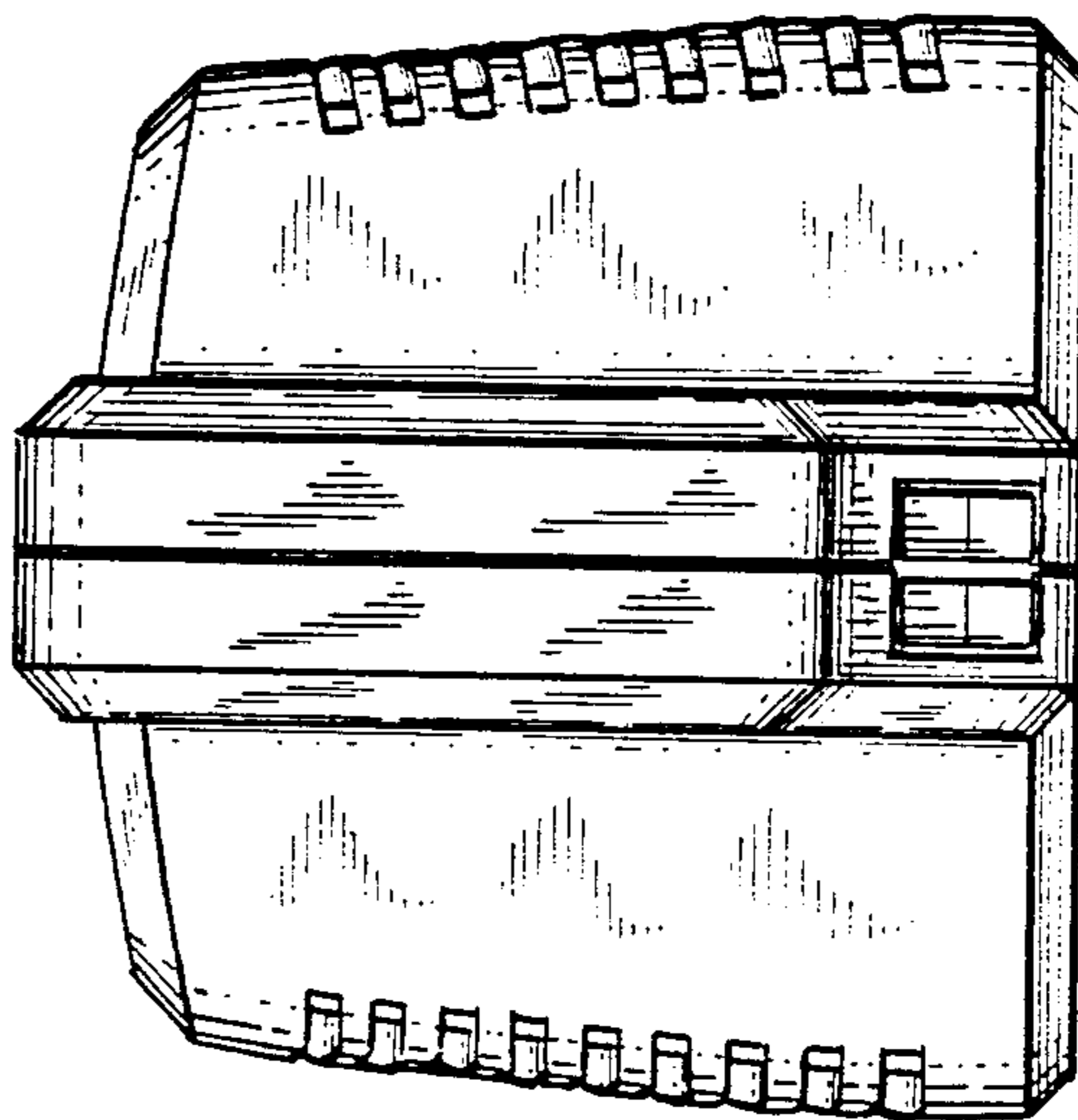


FIG. 4

