

[54] SUN CONTROL PERGOLA TOP

4,050,366 9/1977 Wiklund et al. 52/473 X
4,208,846 6/1980 Griebel 52/74

[75] Inventors: Daryl J. Lambert, 391-401 Martins Road, Parafield Gardens, Australia, 5107; Dennis J. Paul, Campbelltown; William Chandler, Belair, both of Australia

[73] Assignee: John Daryl Lambert, Parafield Gardens, Australia

[**] Term: 14 Years

[21] Appl. No.: 895,517

[22] Filed: Aug. 11, 1986

Related U.S. Application Data

[63] Continuation of Ser. No. 493,002, May 9, 1983, abandoned.

[30] Foreign Application Priority Data

Nov. 12, 1982 [AU] Australia 2112/82

[52] U.S. Cl. D25/57; D25/56

[58] Field of Search 98/121.1; 52/473, 78, 52/78, 342, 633, 660, 663; 49/74; D25/38, 74, 71, 56, 57

[56] References Cited

U.S. PATENT DOCUMENTS

2,015,342 9/1935 Indahl 52/473 X
2,197,970 4/1940 Elmer 52/473
2,397,458 4/1946 Allen 52/473
3,094,746 6/1963 Jobe 52/78

OTHER PUBLICATIONS

Sunset Garden and Patio Building Book, Section 5, p. 37, Louver Fence illustration.

Primary Examiner—A. Hugo Word
Attorney, Agent, or Firm—Pearne, Gordon, McCoy & Grandner

[57] CLAIM

The ornamental design for a sun control pergola top, substantially as shown and described.

DESCRIPTION

FIG. 1 is a perspective view of the sun control pergola top from the front and above the pergola, with the environment shown in phantom outline;

FIG. 2 is a side elevational view;

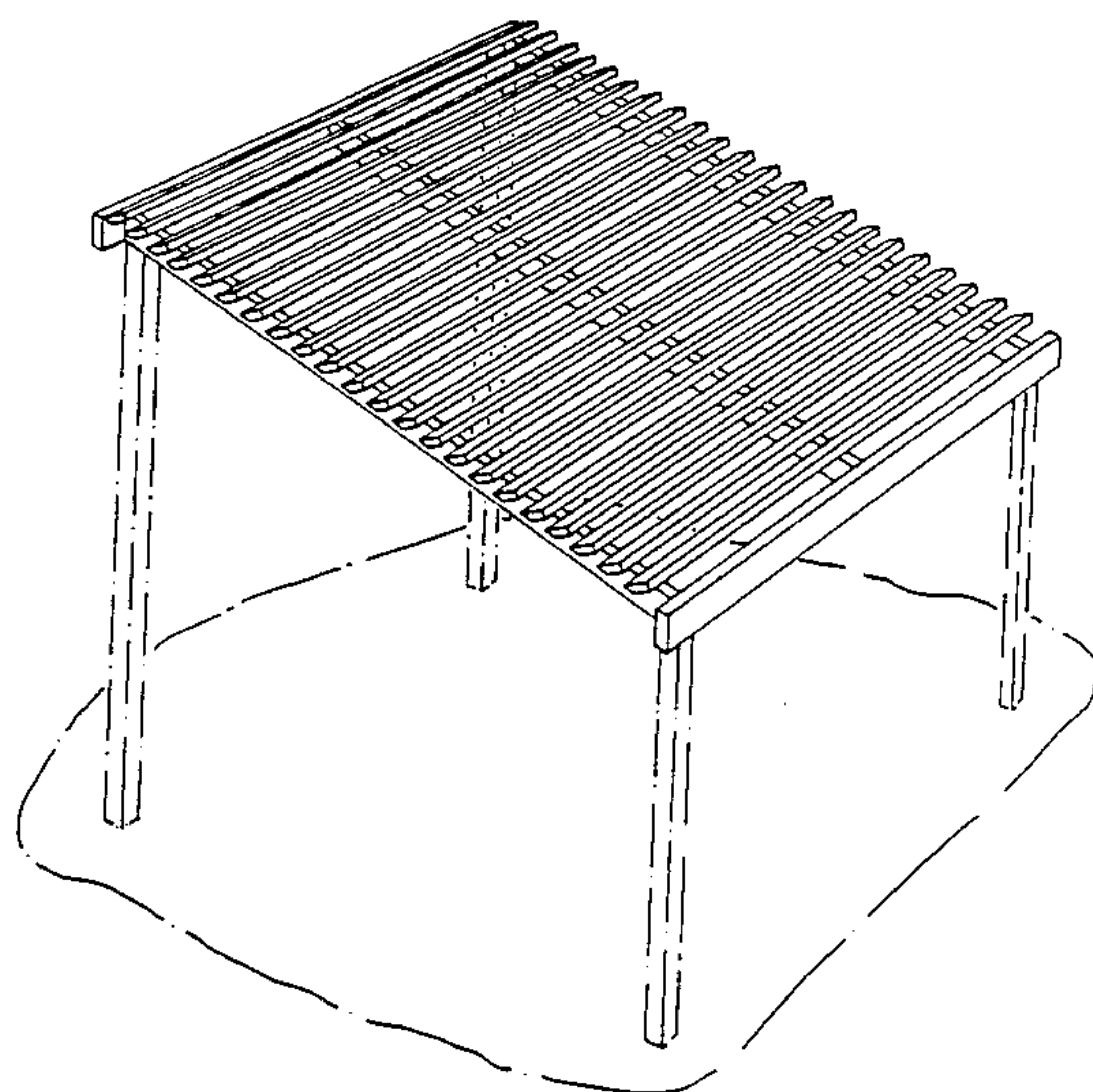
FIG. 3 is a perspective view similar to FIG. 1, but on an enlarged scale, and having environment features omitted;

FIG. 4 is a perspective view of the pergola top from the front and below;

FIG. 5 is a perspective view similar to FIG. 3, showing a second embodiment of the pergola top, as viewed from the front and above; and

FIG. 6 is a perspective view showing the pergola top of FIG. 5 from the front and below.

The broken line showing of posts and ground in FIG. 1 is for illustrative purposes only and forms no part of the claimed design.



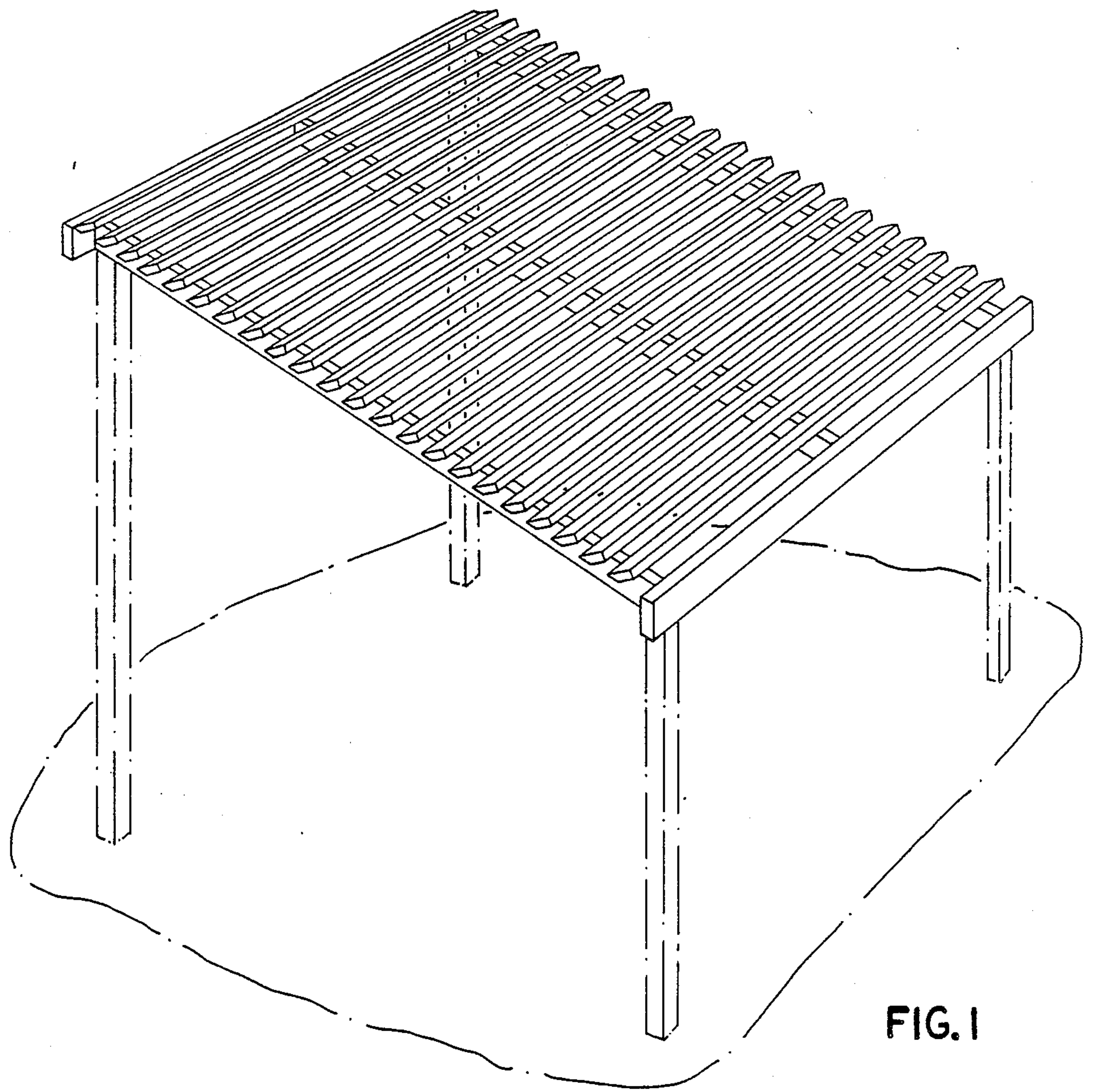


FIG. 1

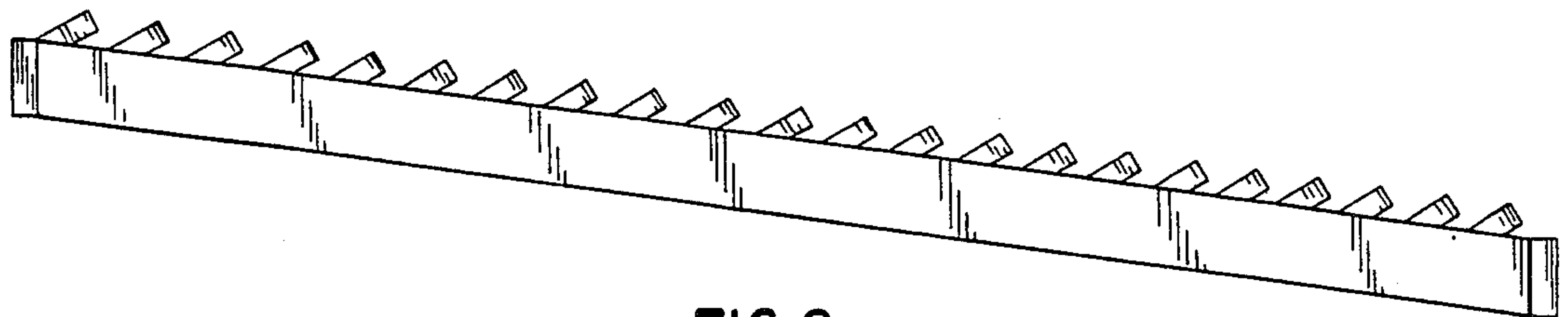


FIG. 2

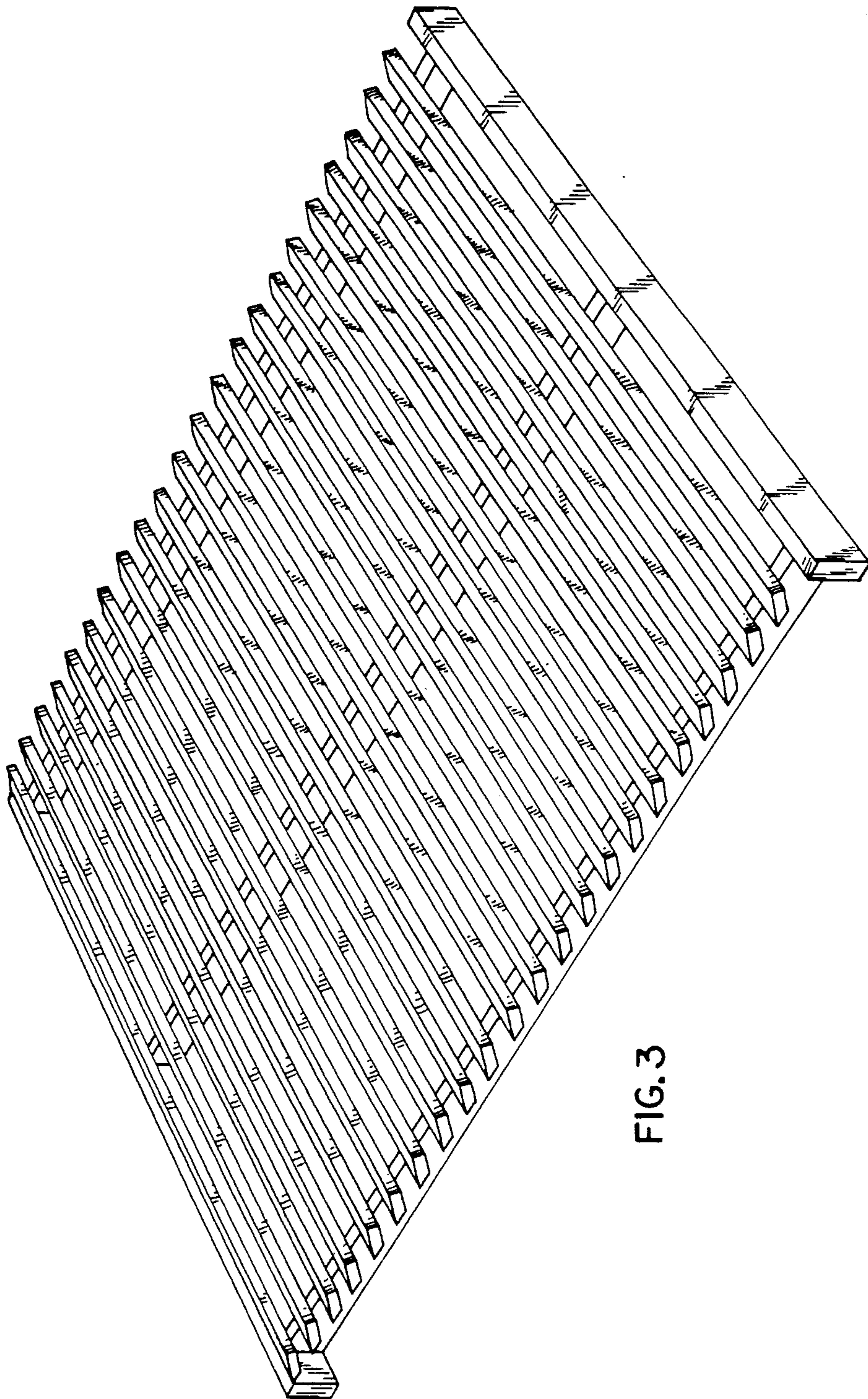


FIG. 3

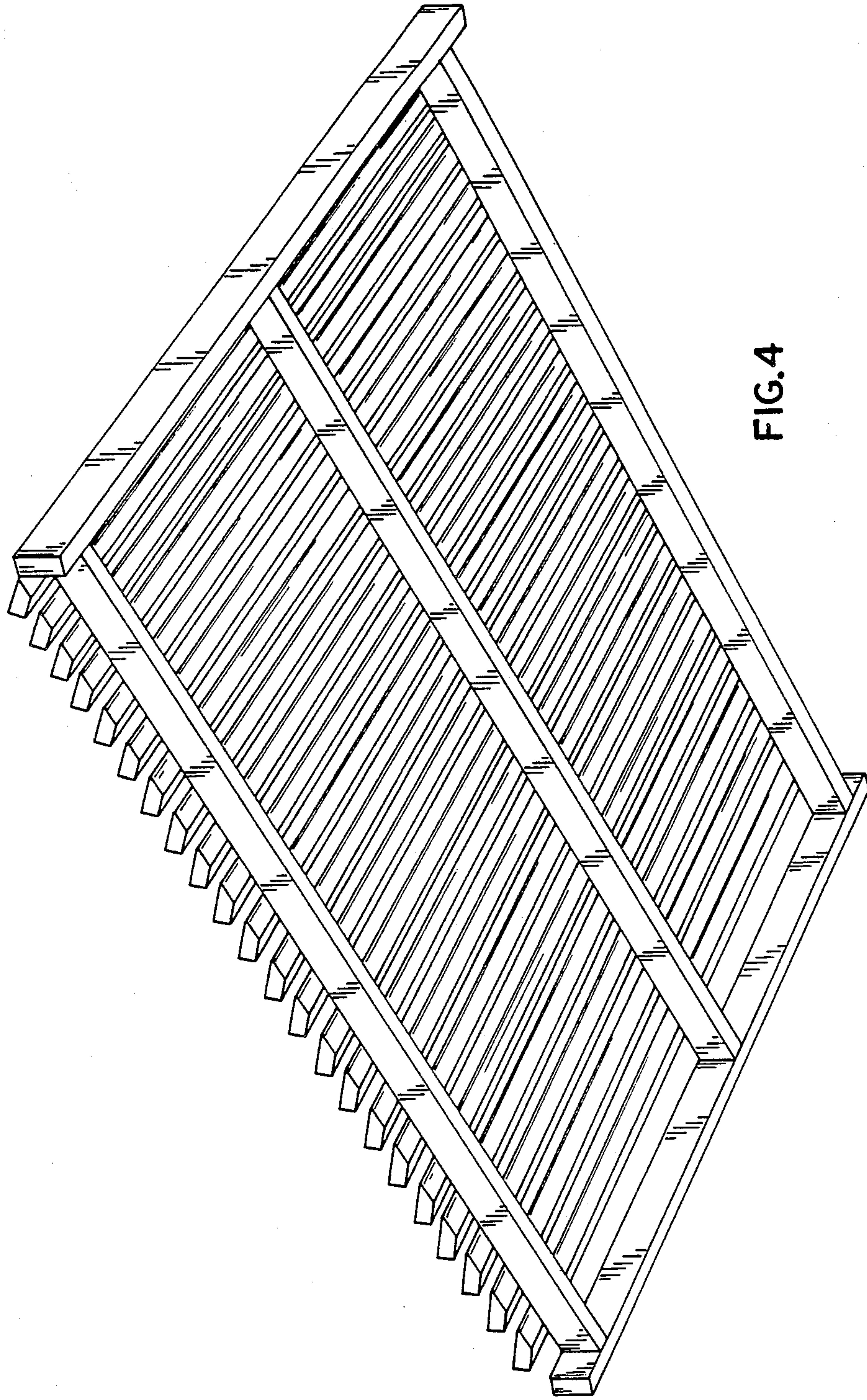


FIG. 4

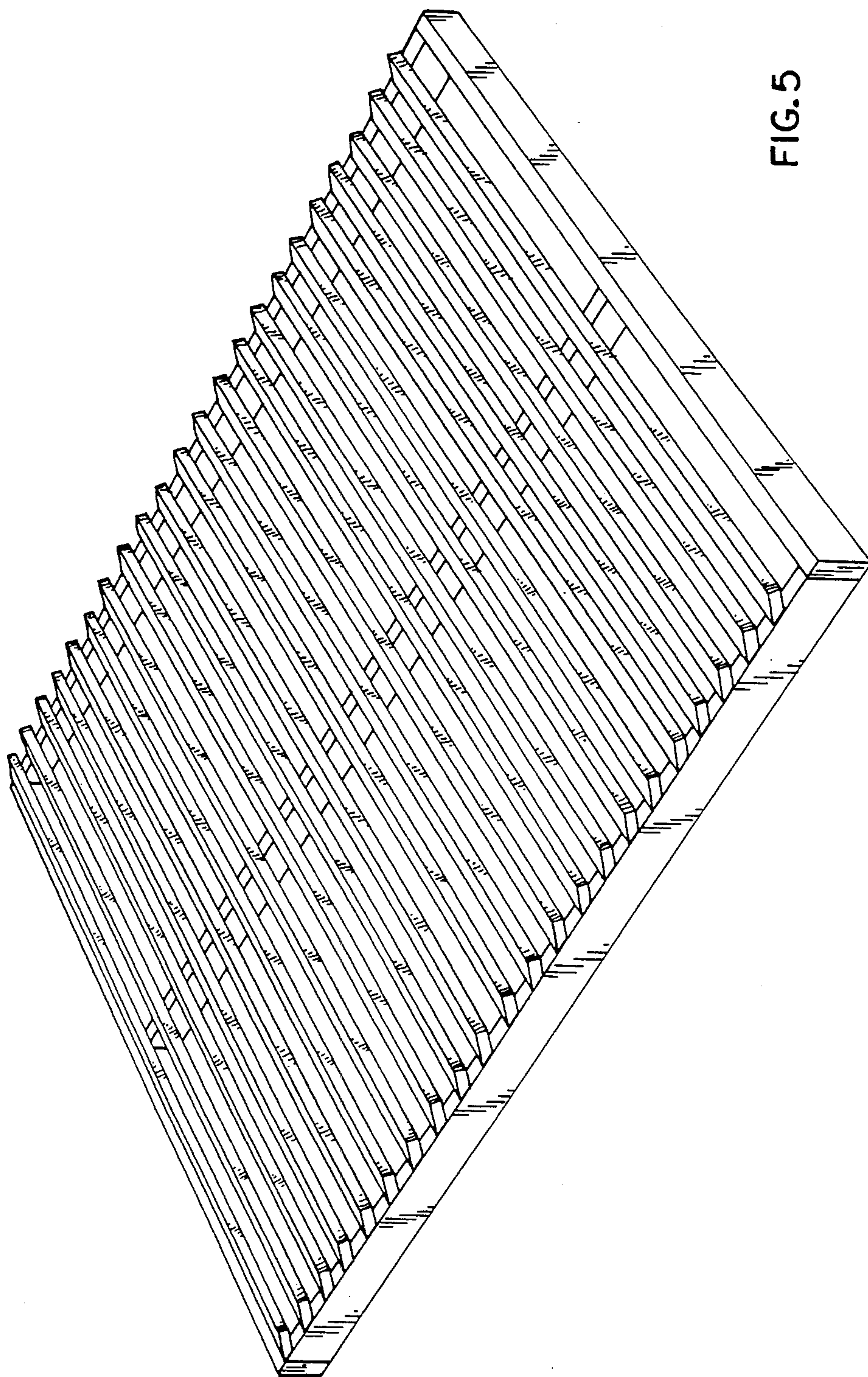


FIG. 5

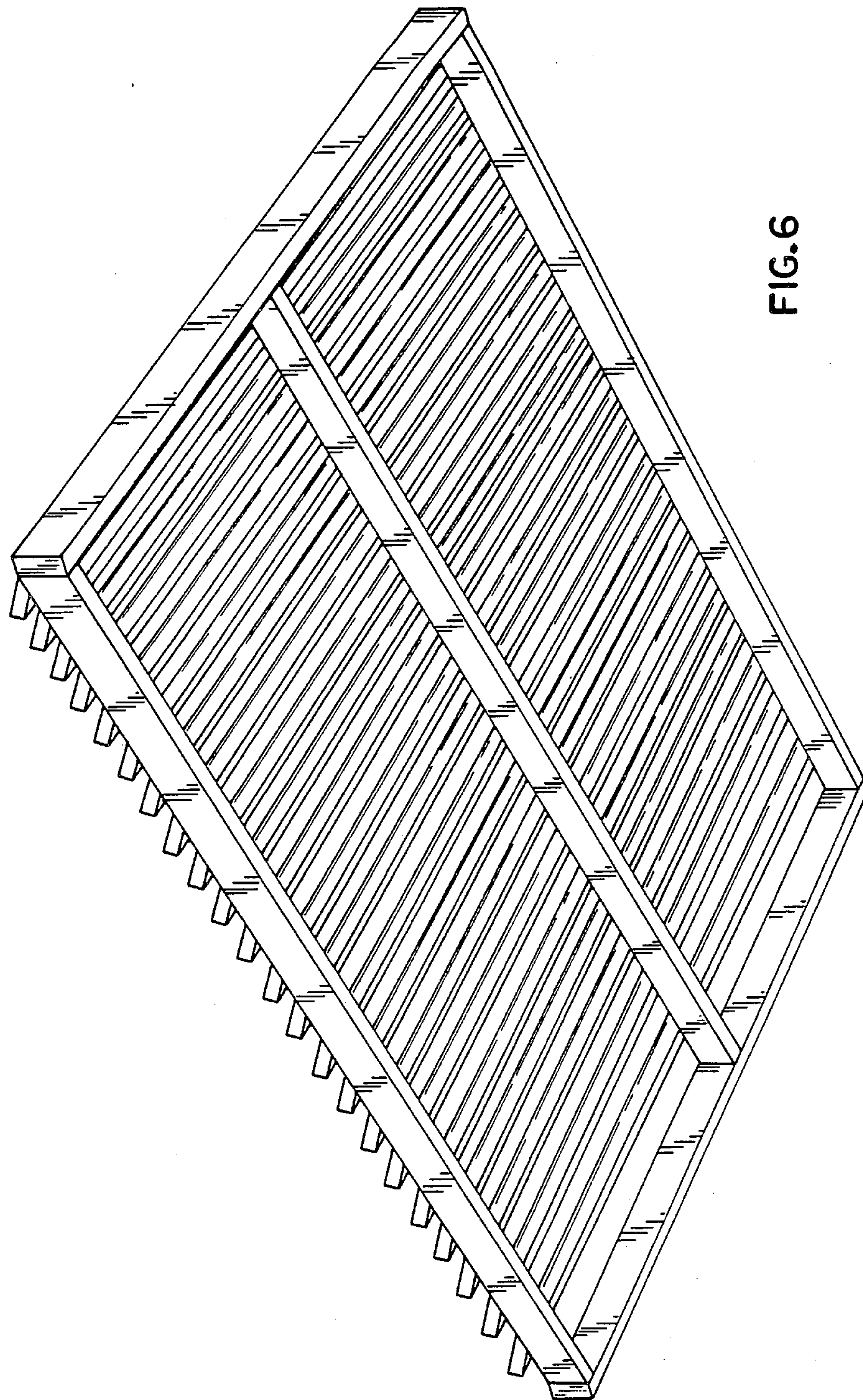


FIG. 6