

[54] **SYRINGE PUMP INSERT**
 [75] Inventors: **Robert S. Schlaupitz, Ingleside; Con A. Lasaitis, Waukegan, both of Ill.**
 [73] Assignee: **Abbott Laboratories, Abbott Park, Ill.**
 [**] Term: **14 Years**
 [21] Appl. No.: **607,882**
 [22] Filed: **May 7, 1984**
 [52] U.S. Cl. **D24/14; D24/25**
 [58] Field of Search **D24/4-5, D24/10-16, 23-26, 29, 45, 55, 59, 60, 63; 604/19, 81, 208, 210, 231, 239, 243, 255**

3,831,603	8/1974	Armenti	604/210
3,841,329	10/1974	Killinger	128/220
3,882,849	5/1975	Jamshidi	604/210 X
3,886,928	6/1975	Sarstedt	128/2
3,890,972	6/1975	Standley et al.	128/220
4,064,879	12/1977	Leibinsohn	604/210 X
4,078,565	3/1978	Genese	128/220
4,191,225	3/1980	Ogle	141/329

Primary Examiner—Wallace R. Burke
Assistant Examiner—Brian N. Vinson
Attorney, Agent, or Firm—Martin L. Katz; Michael J. Roth

[56] **References Cited**

U.S. PATENT DOCUMENTS

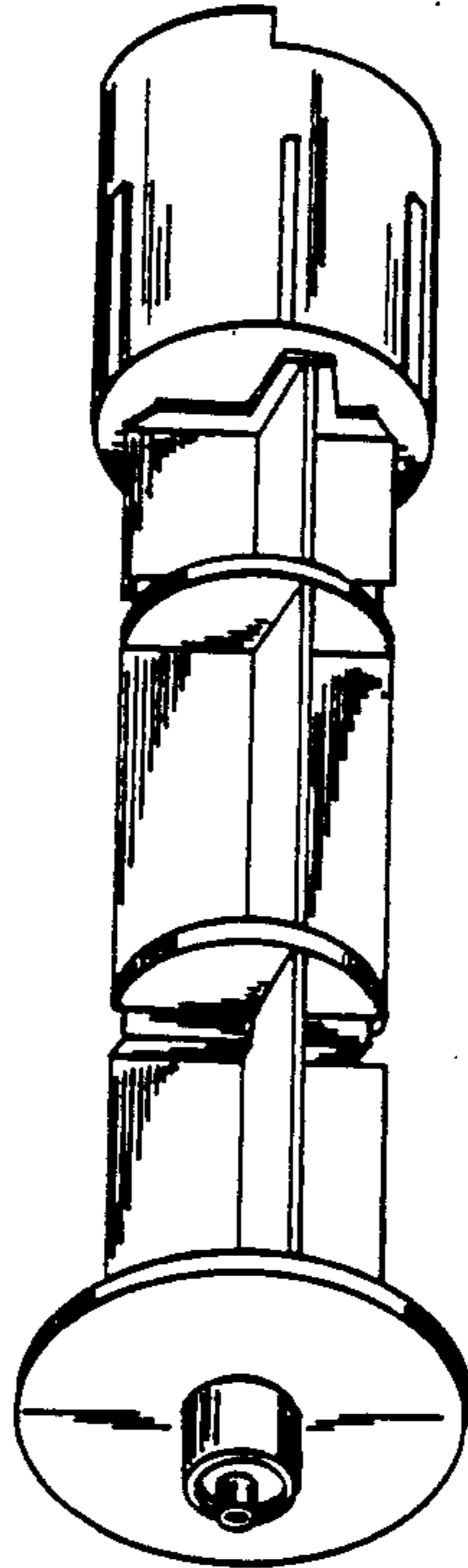
2,514,883	7/1950	Lockhart	128/220
2,539,510	1/1951	Friden	128/220
2,869,541	1/1959	Helmer et al.	604/210
3,056,404	10/1962	Korb	128/220
3,376,866	4/1968	Ogle	604/203
3,378,008	4/1968	Ogle	128/220
3,542,023	11/1970	Ogle	128/218
3,739,780	1/1973	Ogle	128/220
3,768,474	10/1973	Burke et al.	128/220

[57] **CLAIM**

The ornamental design for a syringe pump insert, substantially as shown and described.

DESCRIPTION

FIG. 1 is a top plan view of a syringe pump showing our new design;
 FIG. 2 is a right side elevational view thereof;
 FIG. 3 is a bottom plan view thereof;
 FIG. 4 is a left side elevational view thereof;
 FIG. 5 is a front and right side perspective view thereof;
 FIG. 6 is a front end elevational view thereof;
 FIG. 7 is a rear end elevational view thereof; and,
 FIG. 8 is a rear and left side perspective view thereof.



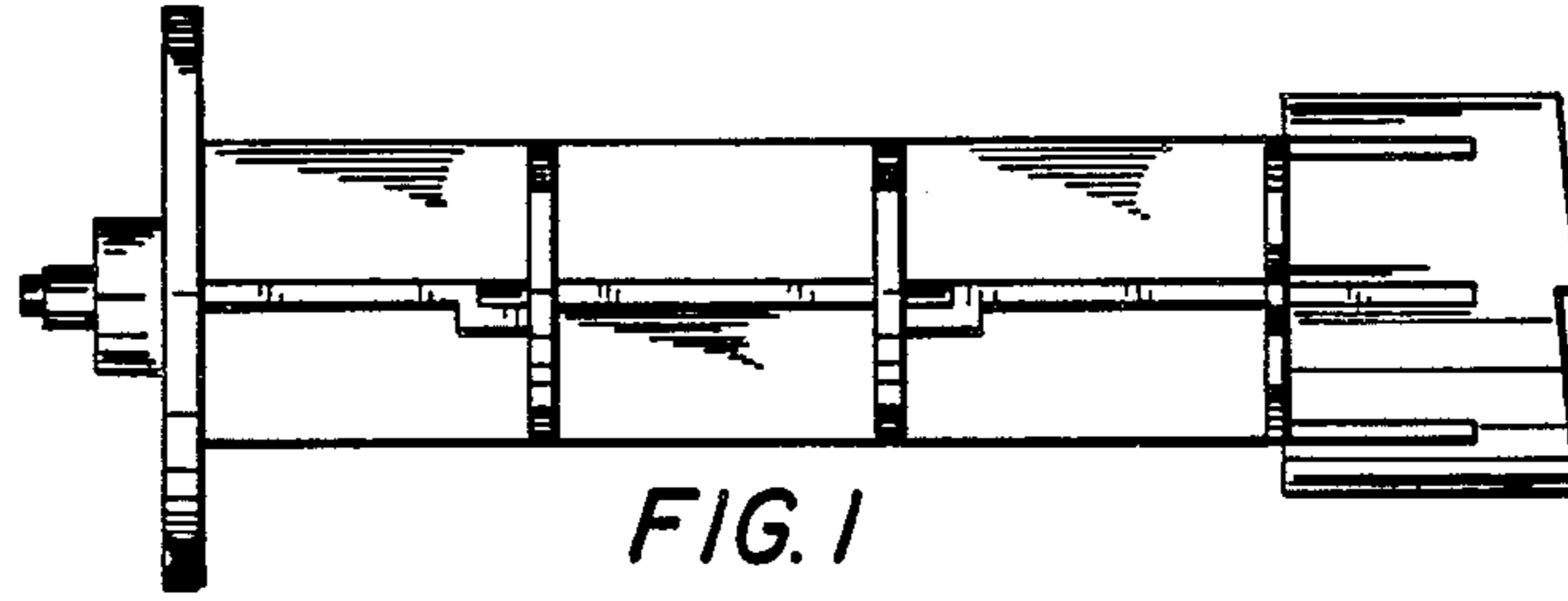


FIG. 1

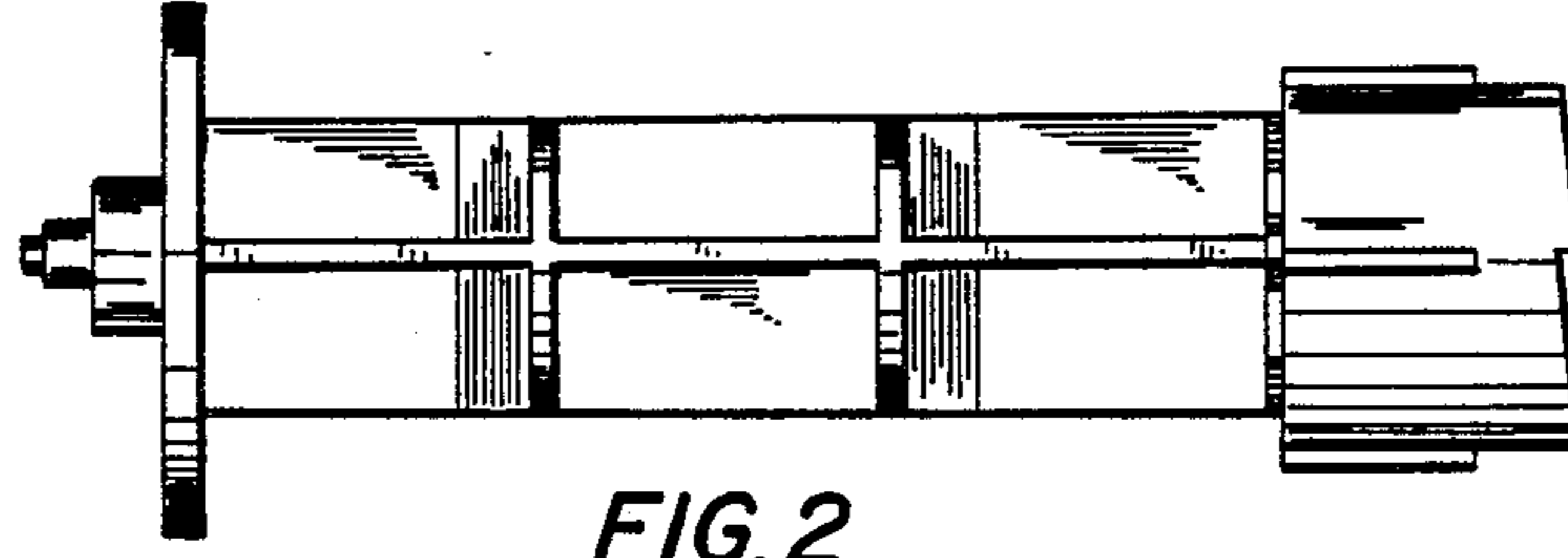


FIG. 2

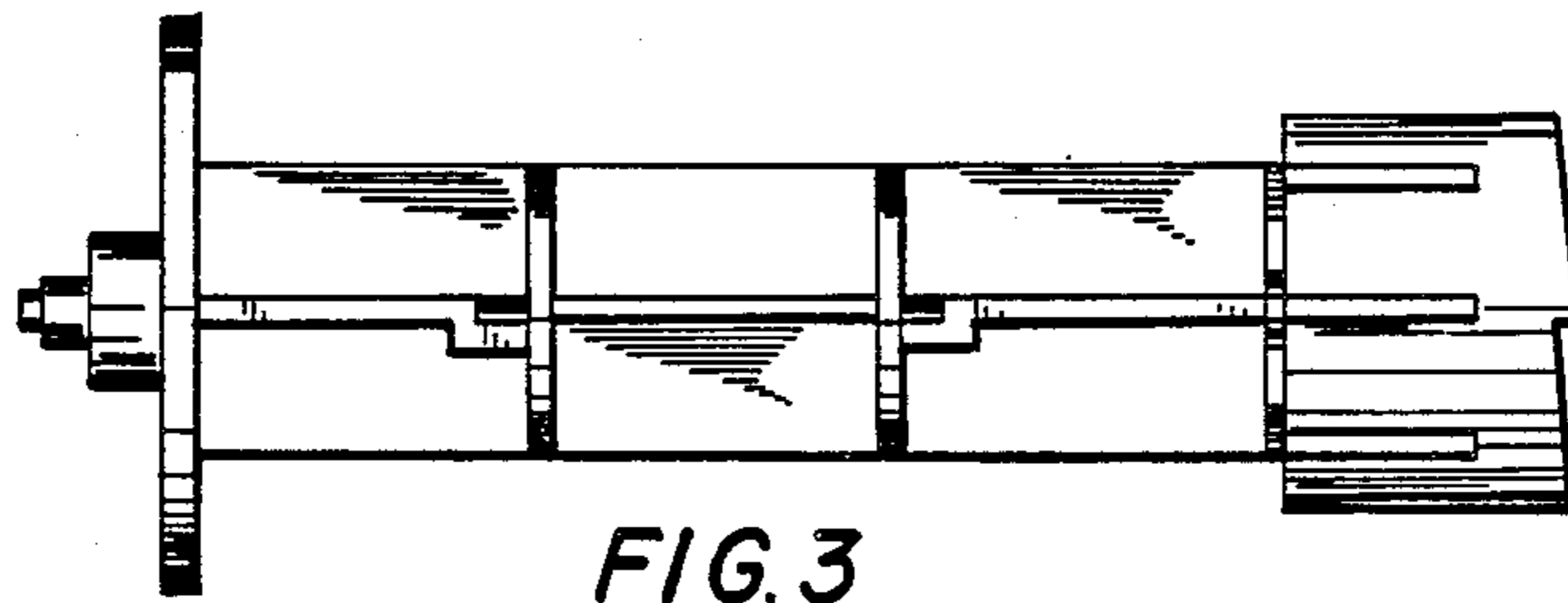


FIG. 3

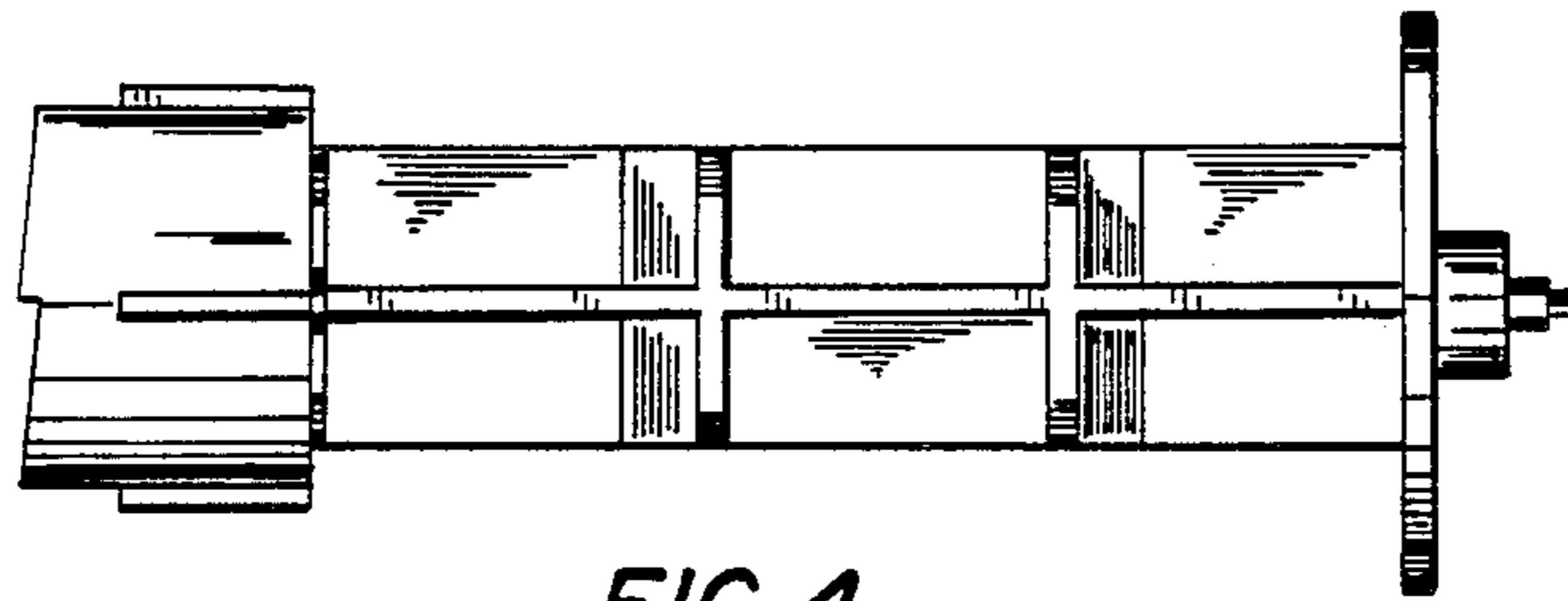


FIG. 4

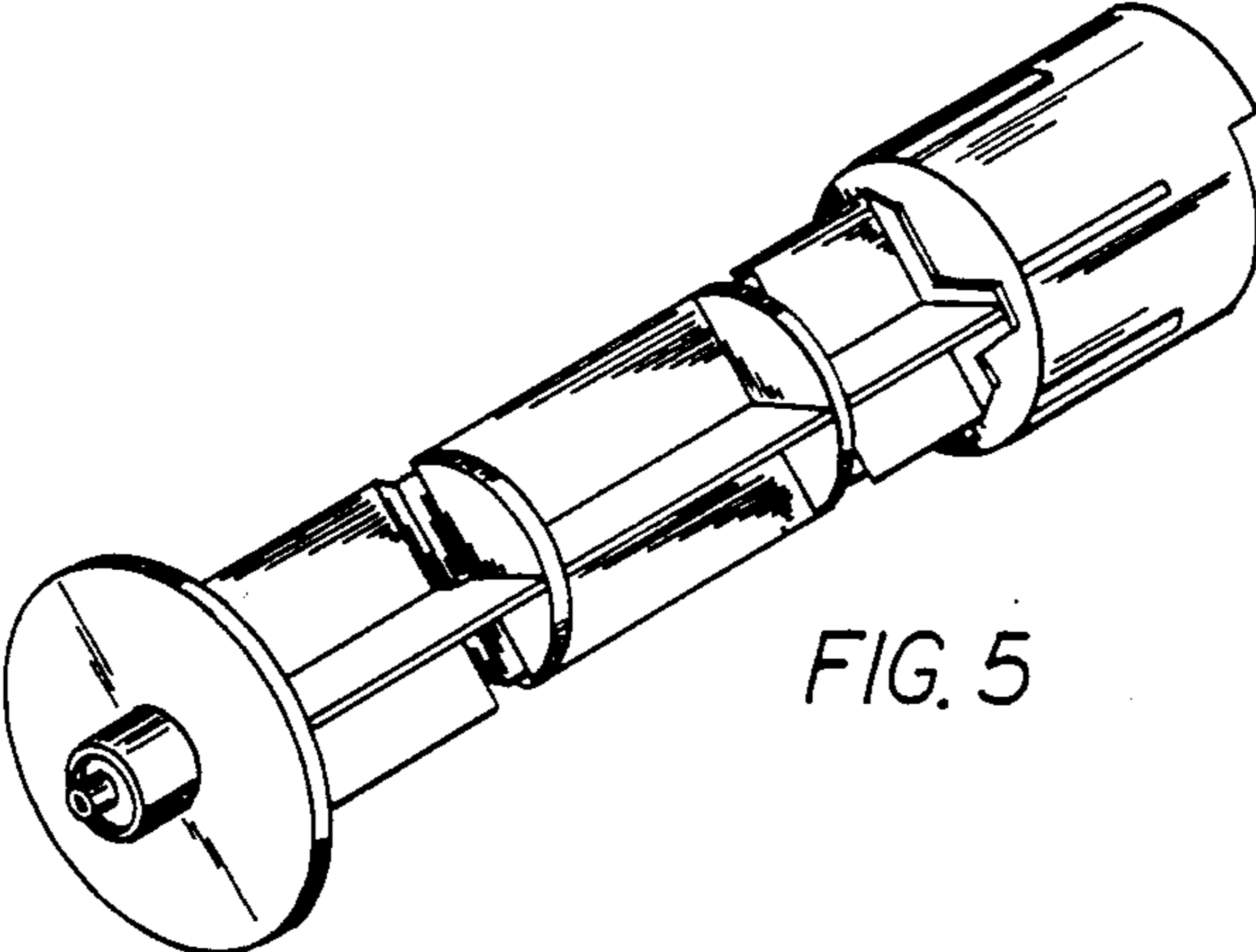


FIG. 5

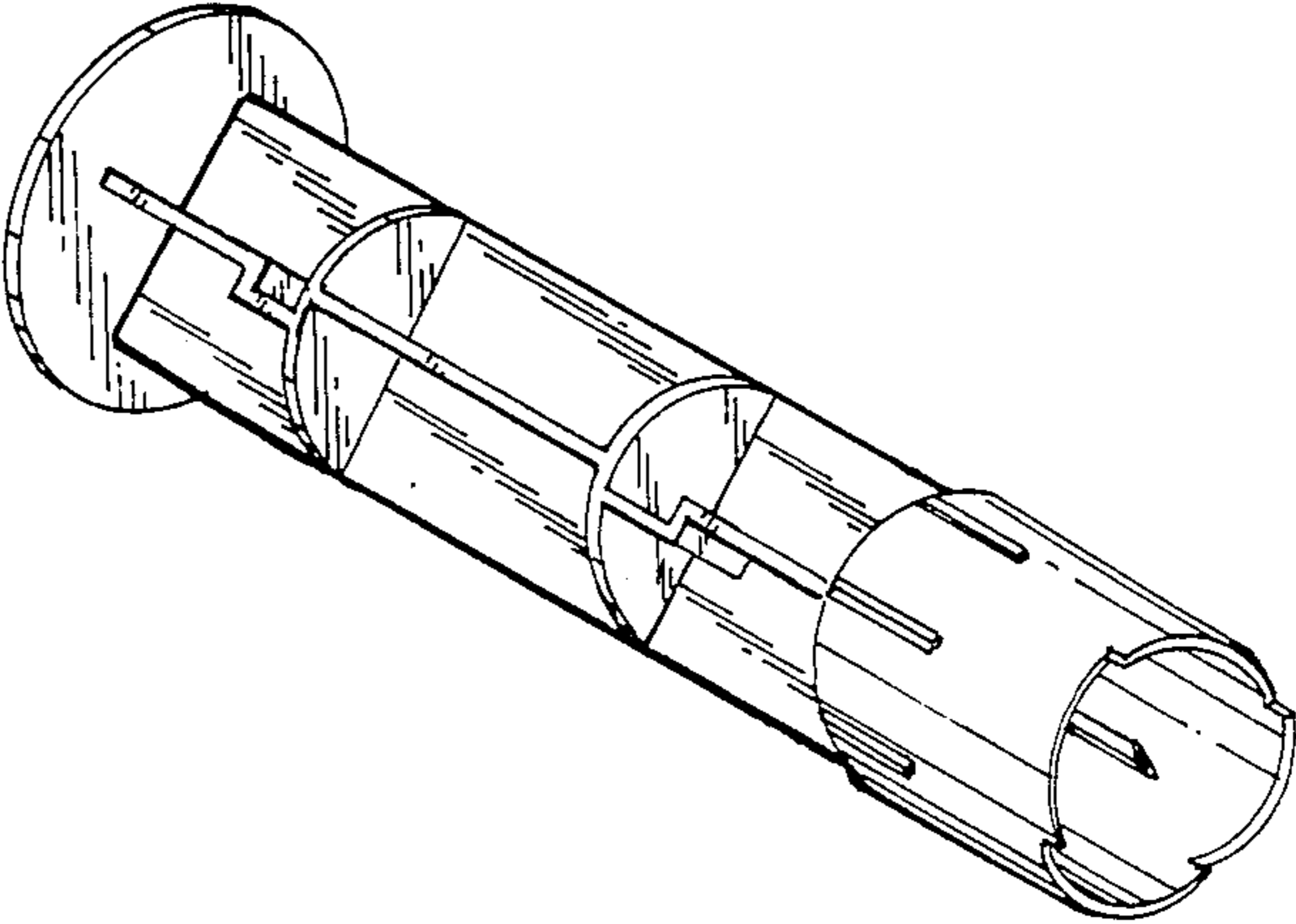


FIG. 8

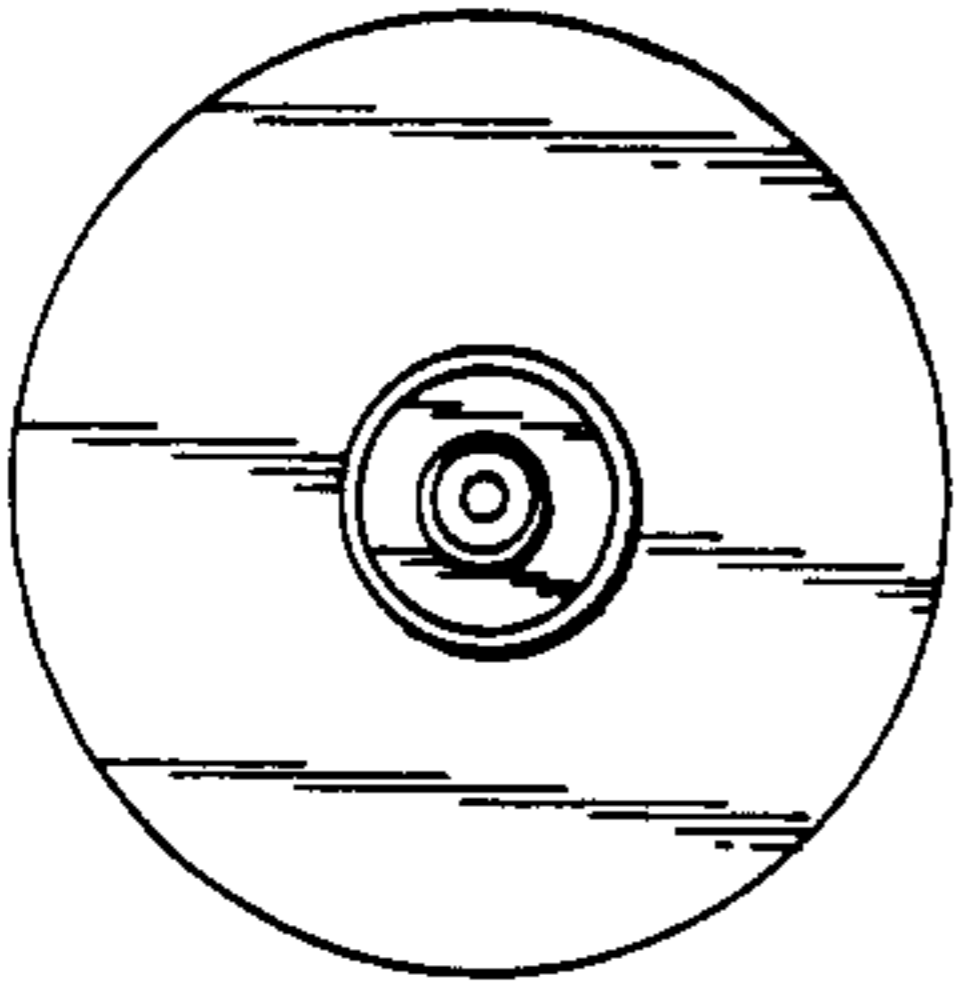


FIG. 6

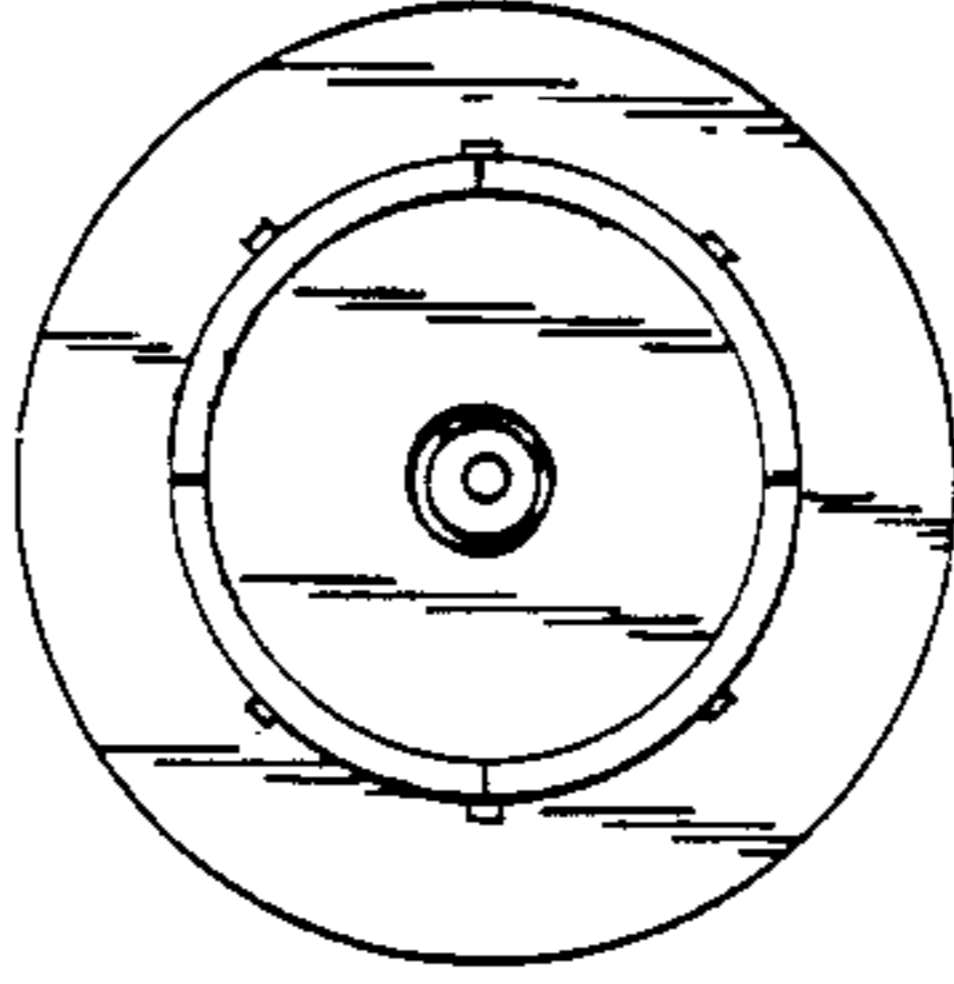


FIG. 7