

[54] FOAM NOZZLE FOR HAND OPERATED TRIGGER SPRAYER

4,185,777 1/1980 Bauer 239/394
4,247,048 1/1981 Hayes 239/333 X
4,350,298 9/1982 Tada 239/333

[75] Inventor: Matheus H. F. Verhees, CN Asten, Netherlands

Primary Examiner—James R. Largen
Attorney, Agent, or Firm—Thomas R. Vigil; Kajane McManus

[73] Assignee: Waynesboro Textiles Inc., Forest City, N.C.

[**] Term: 14 Years

[57] CLAIM

The ornamental design for a foam nozzle for hand operated trigger sprayer, substantially as shown and described.

[21] Appl. No.: 738,122

[22] Filed: May 24, 1985

DESCRIPTION

[52] U.S. Cl. D23/213; D23/226

[58] Field of Search D23/34-39; 239/71, 288, 288.3, 288.5, 333, 394, 396, 438, 525, 526, 538, 552, 589, 600

FIG. 1 is a perspective view taken from the top, front and right side of a foam nozzle for hand operated trigger sprayers, showing my new design; FIG. 2 is a right side elevational view thereof; FIG. 3 is a left side elevational view thereof; FIG. 4 is a top plan view thereof; FIG. 5 is a bottom plan view thereof; FIG. 6 is a front elevational view thereof; and, FIG. 7 is a rear elevational view thereof.

[56] References Cited

U.S. PATENT DOCUMENTS

- D. 198,356 6/1964 Wahlin D23/35
- D. 268,204 3/1983 Wesner et al. D23/34
- D. 280,125 8/1985 Butterfield et al. D23/35
- D. 282,960 3/1986 O'Neill et al. D23/34
- D. 288,954 3/1987 McDermott et al. D23/34

The fragmentary broken line showing of a hand operated trigger sprayer in FIG. 1 is for purposes of illustration only and forms no part of the claimed design.

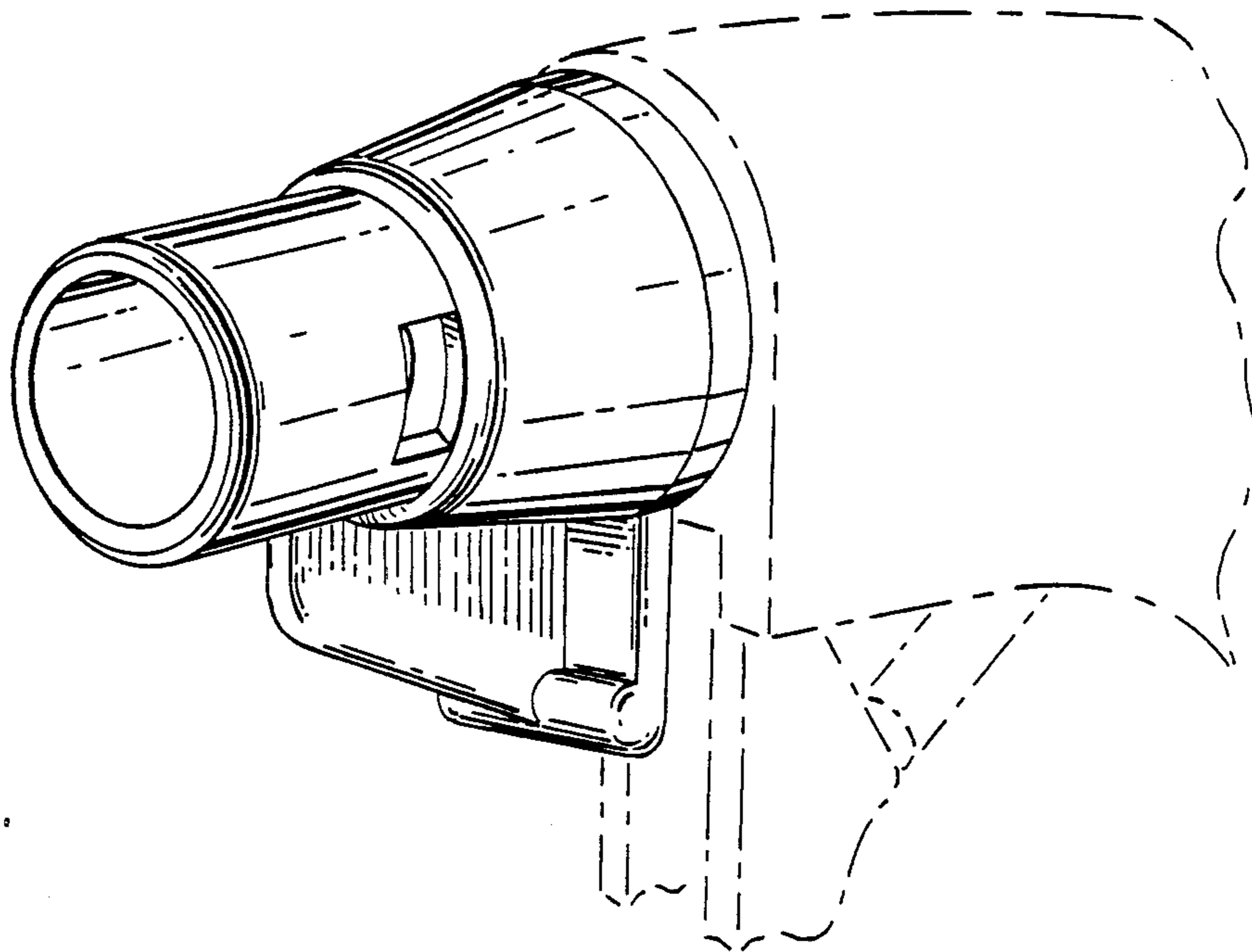


FIG. 1

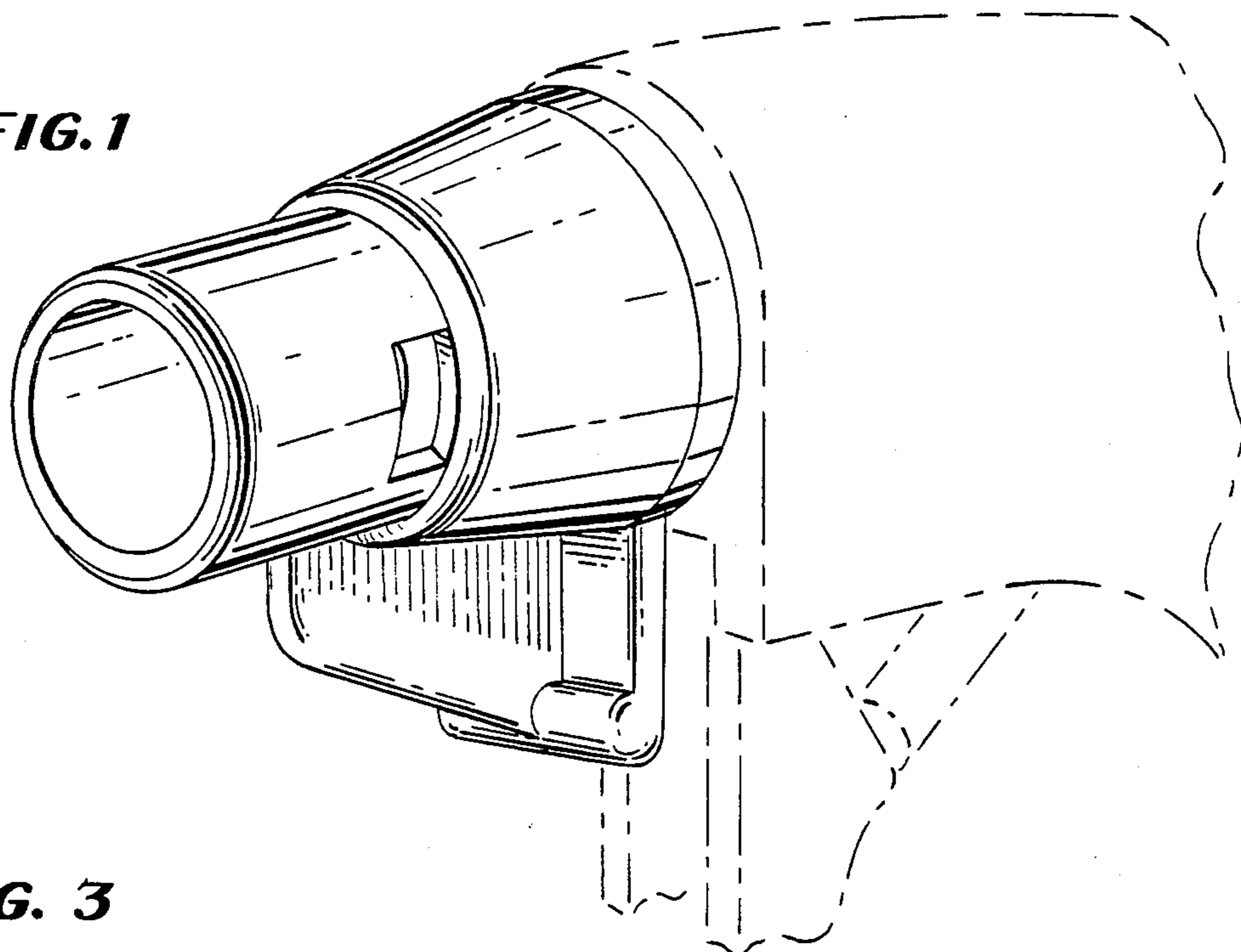


FIG. 3

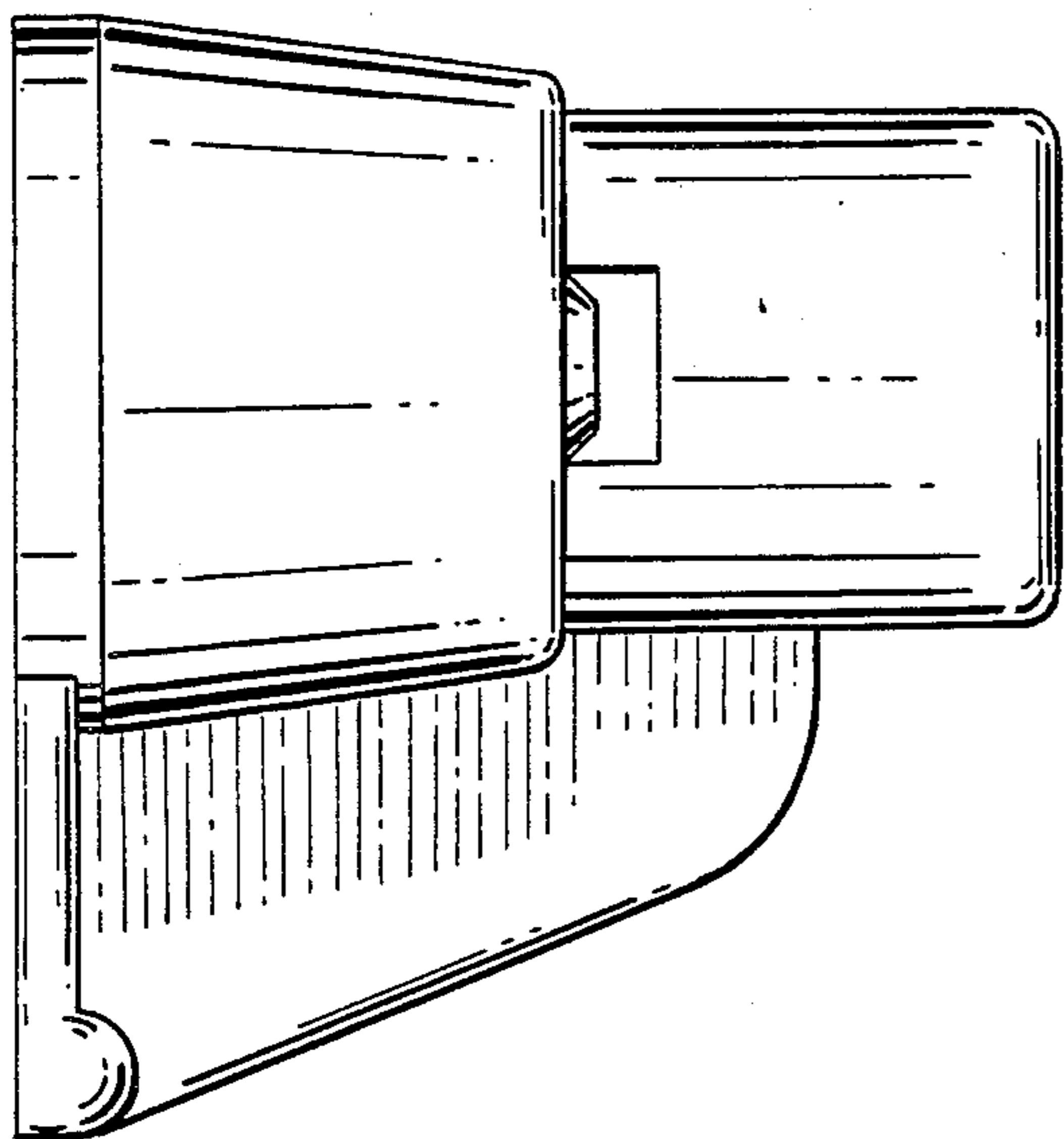


FIG. 2

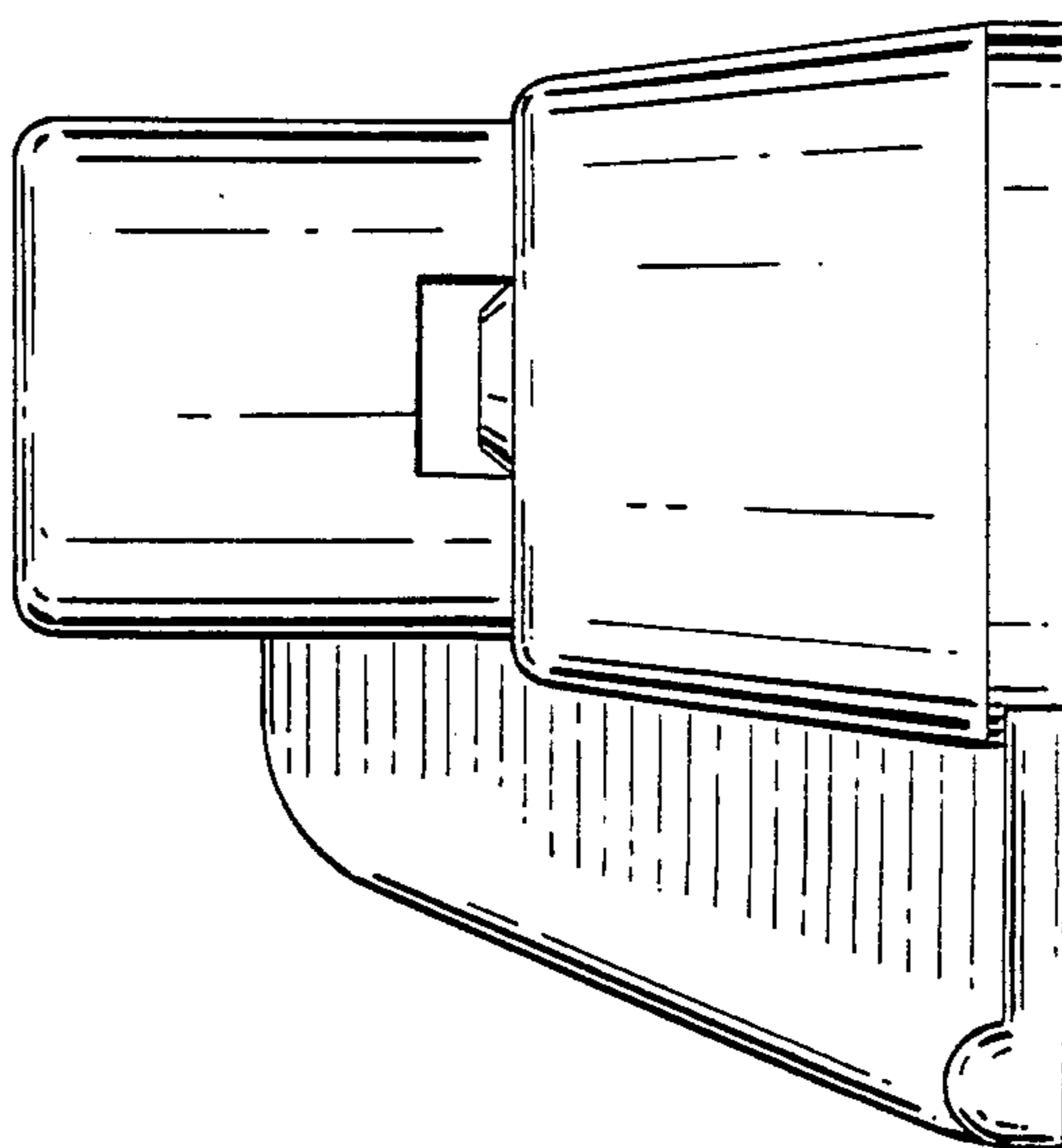


FIG. 4

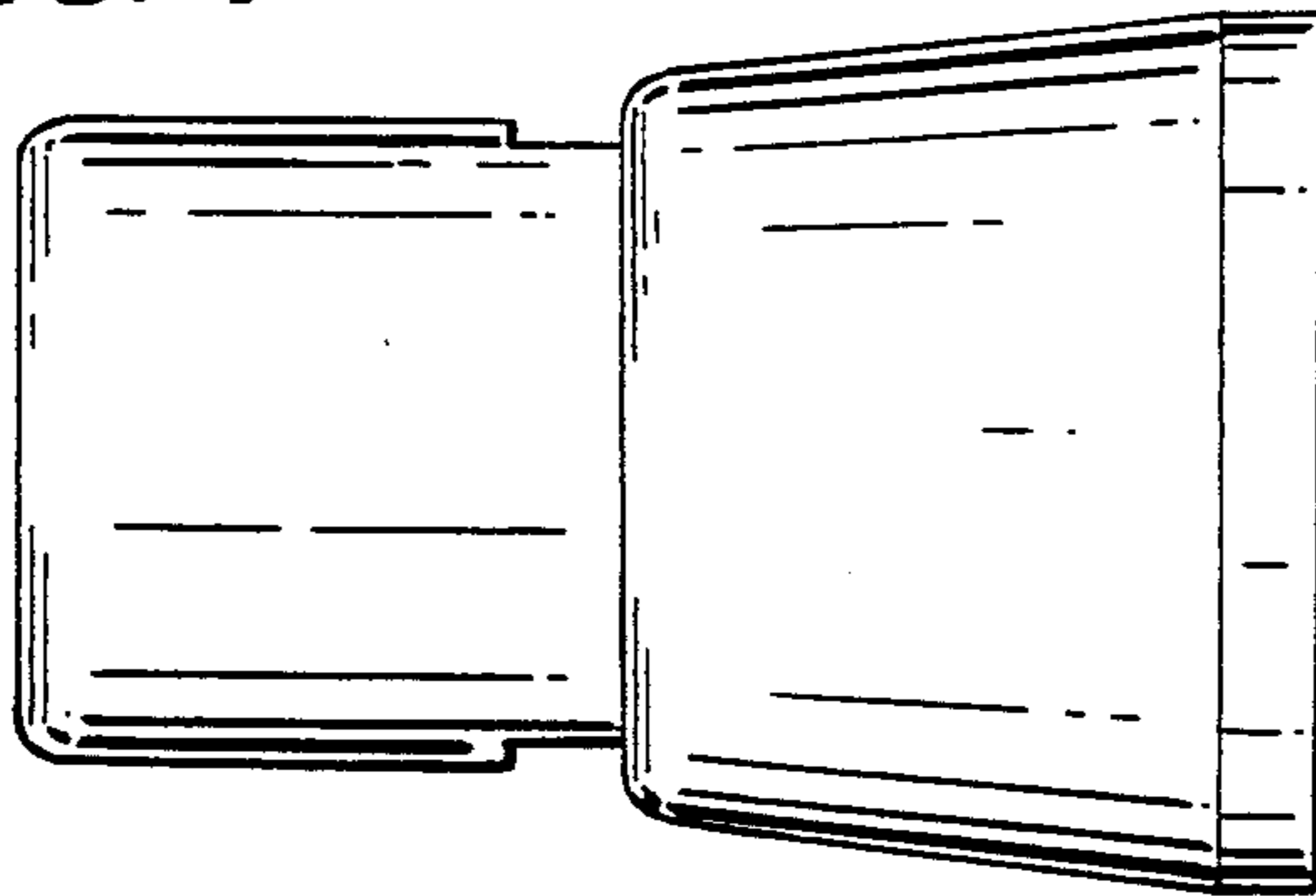


FIG. 5

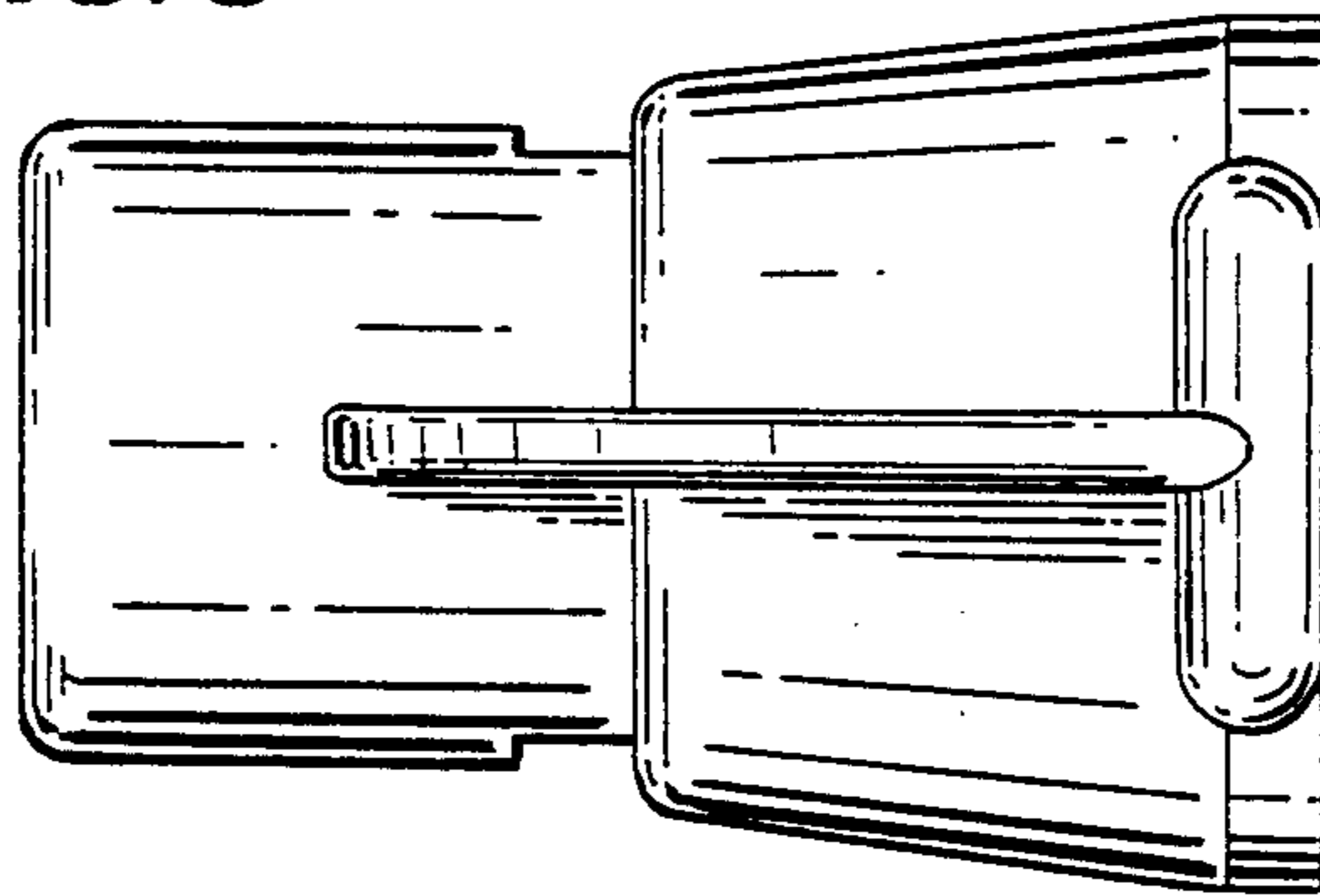


FIG. 6

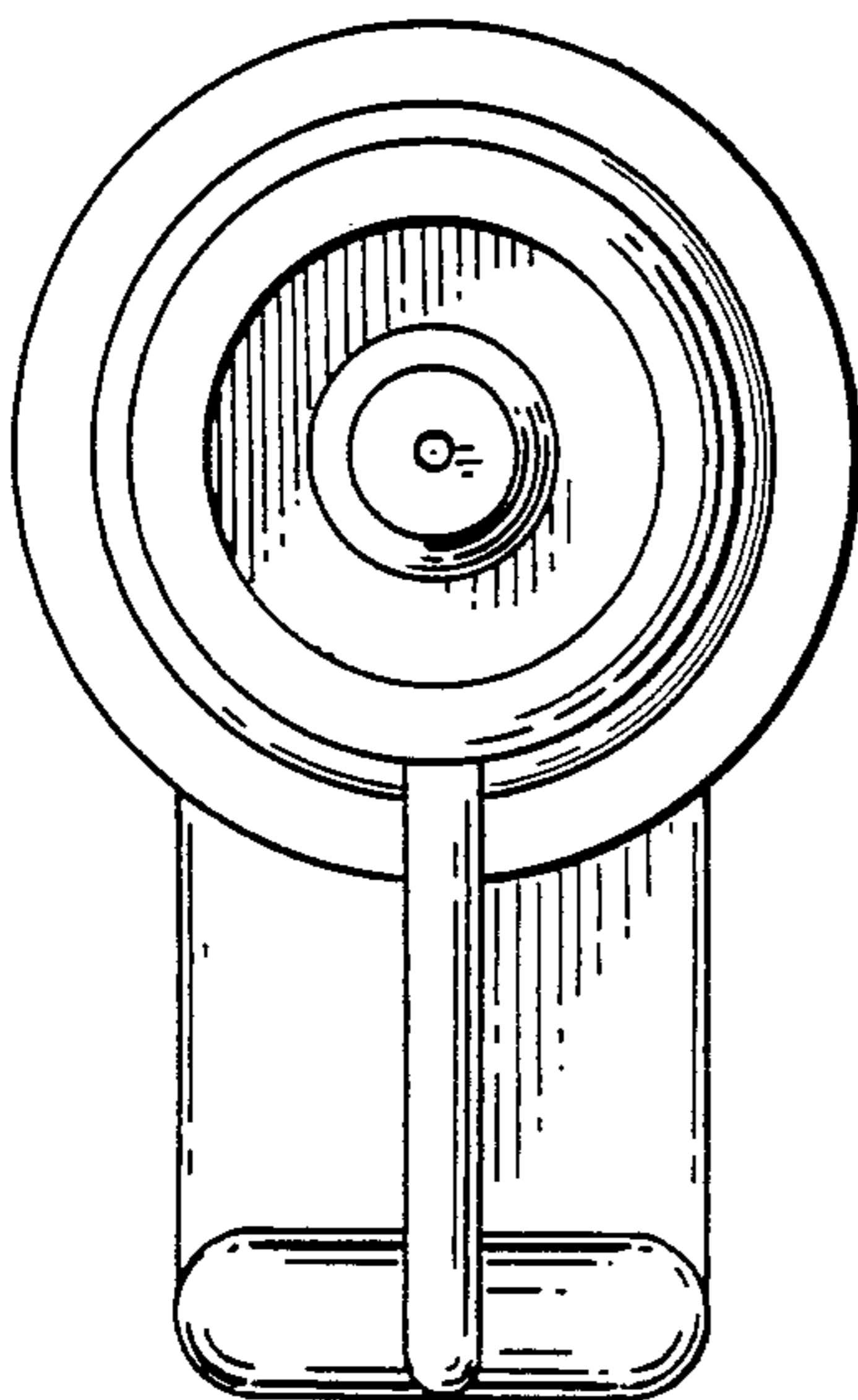


FIG. 7

