

[54] SIGNAL TRANSMISSION DEVICE FOR BLASTING ASSEMBLY

[75] Inventor: Lars-Gunnar Lofgren, Gyttopp, Sweden

[73] Assignee: Nitro Nobel AB, Gyttopp, Sweden

[**] Term: 14 Years

[21] Appl. No.: 655,332

[22] Filed: Sep. 27, 1984

[30] Foreign Application Priority Data

Mar. 27, 1984 [SE] Sweden 84-1009

Mar. 27, 1984 [SE] Sweden 84-1010

[52] U.S. Cl. D22/112

[58] Field of Search D22/112; 102/275.12, 102/222

[56] References Cited

U.S. PATENT DOCUMENTS

4,426,933 1/1984 Yunan 102/275.12 X

4,481,884 11/1984 Yunan 102/275.12 X

4,539,909 9/1985 Day et al. 102/275.12 X

Primary Examiner—A. Hugo Word

Attorney, Agent, or Firm—Frishauf, Holtz, Goodman & Woodward

[57] CLAIM

The ornamental design for a signal transmission device for blasting assembly, as shown and described.

DESCRIPTION

FIG. 1 is a side view of a signal transmission device for blasting assembly showing a first embodiment of my new design, such device being circularly symmetrical (except for the showing of the side loop extending downwardly), the opposite side, top and bottom views being identical to FIG. 1 except for the showing of the downwardly extending side loop;

FIG. 2 is a front side perspective view thereof;

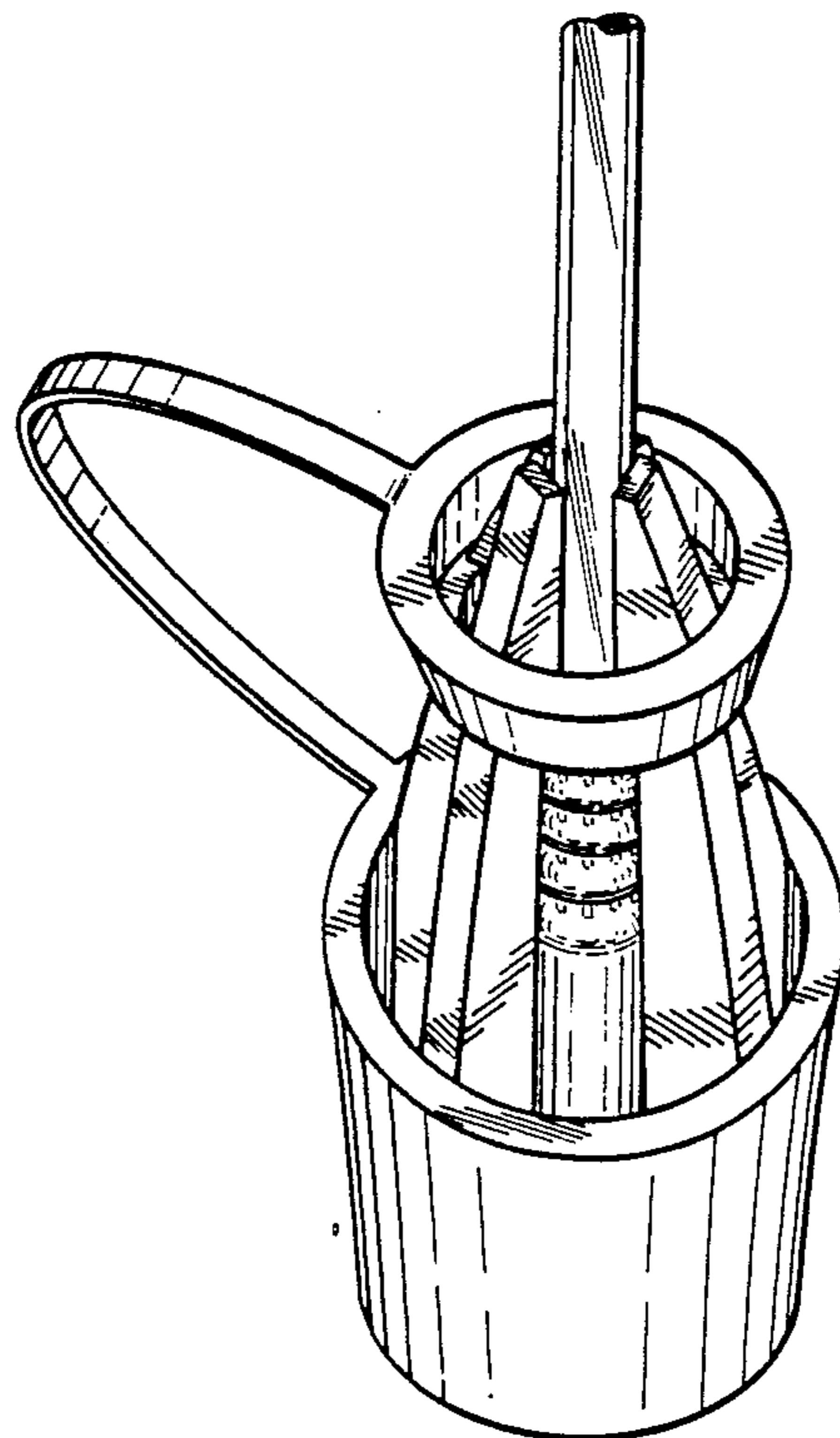
FIG. 3 is a rear side perspective view thereof;

FIG. 4 is an exploded side view thereof with the end cap and with the Nonel tube removed therefrom;

FIG. 5 is a side view of a second embodiment which is the same as the first embodiment, but without the downwardly extending side loop, the article being circularly symmetrical about the longitudinal axis thereof so that the opposite side, top and bottom views are identical with that shown in FIG. 5;

FIG. 6 is a front end perspective view thereof;

FIG. 7 is a rear end perspective view thereof.



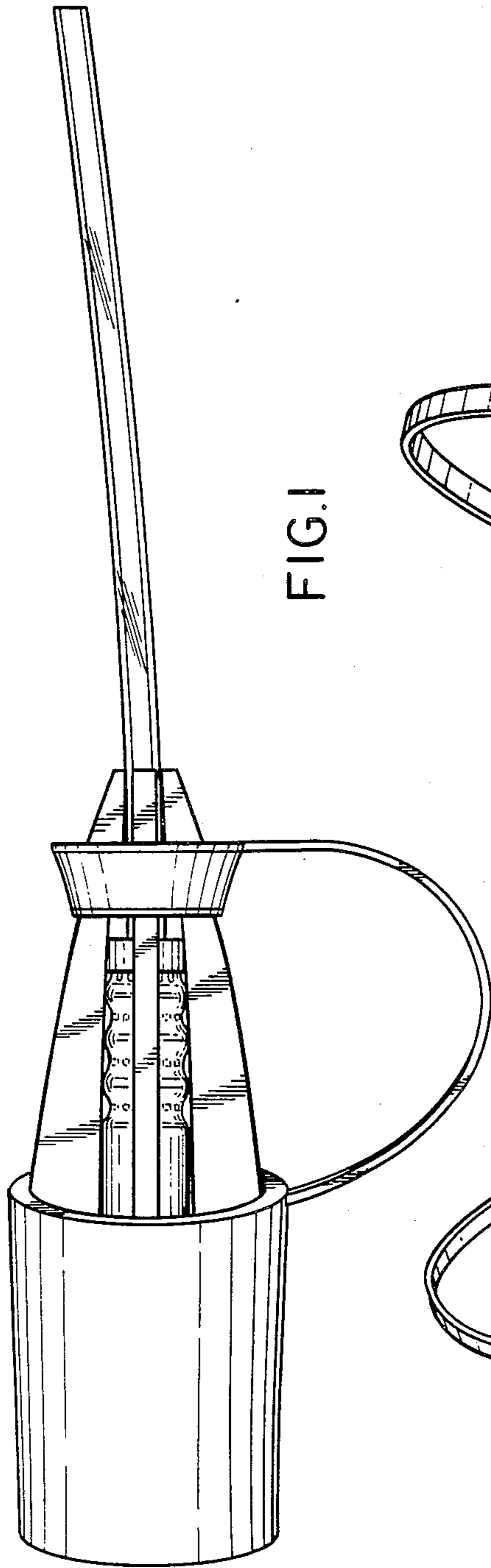


FIG. 1

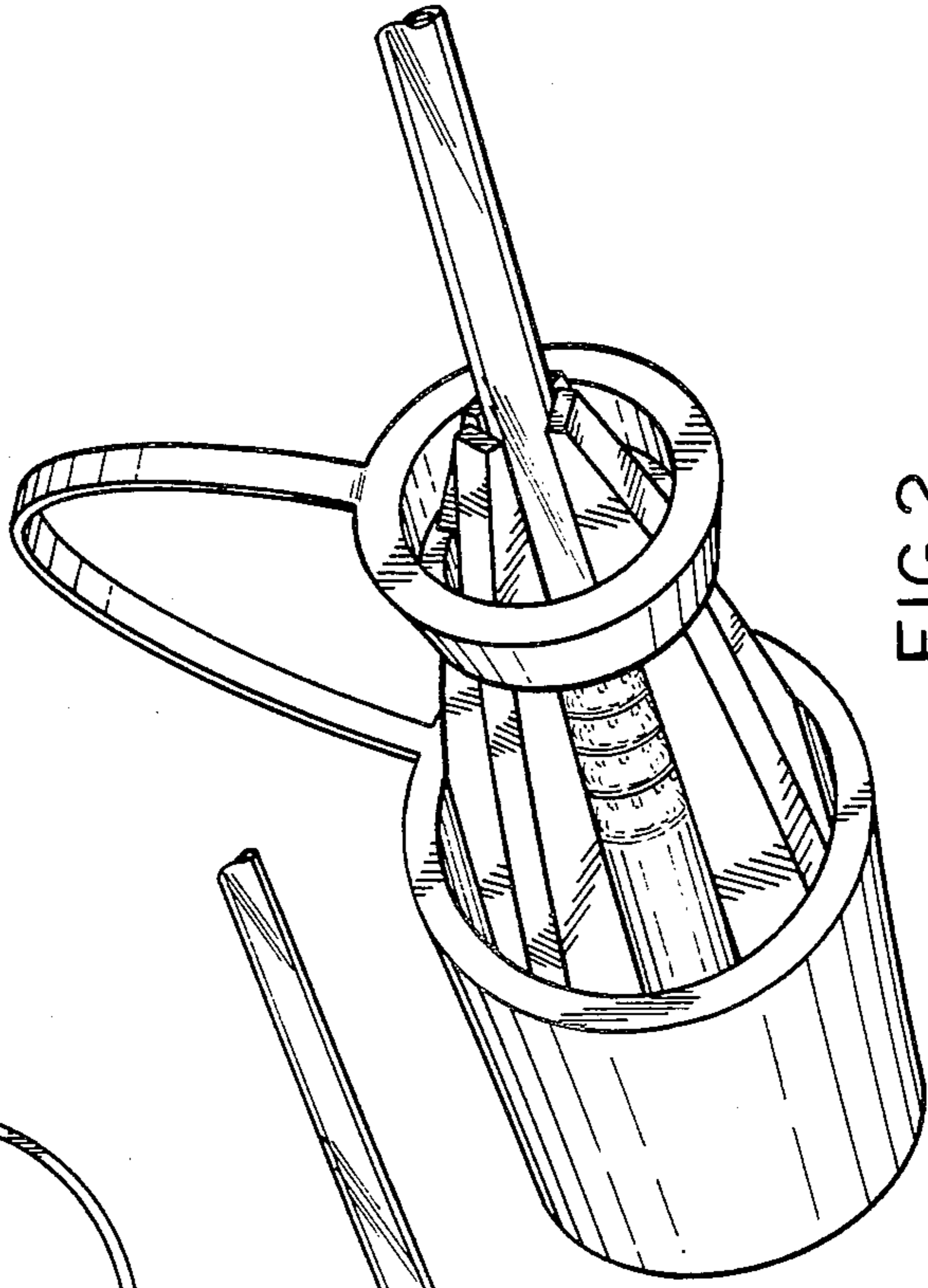


FIG. 2

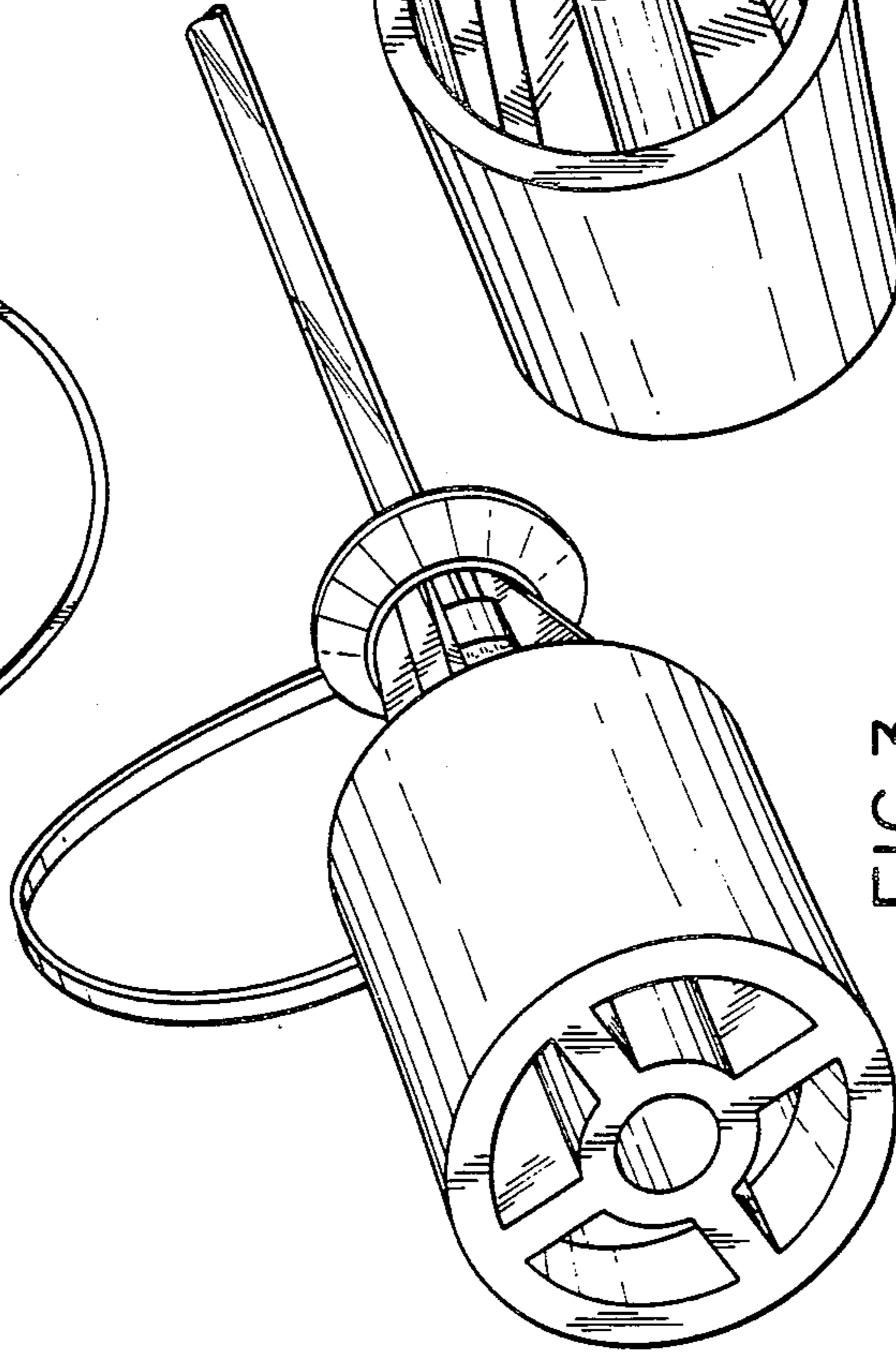


FIG. 3

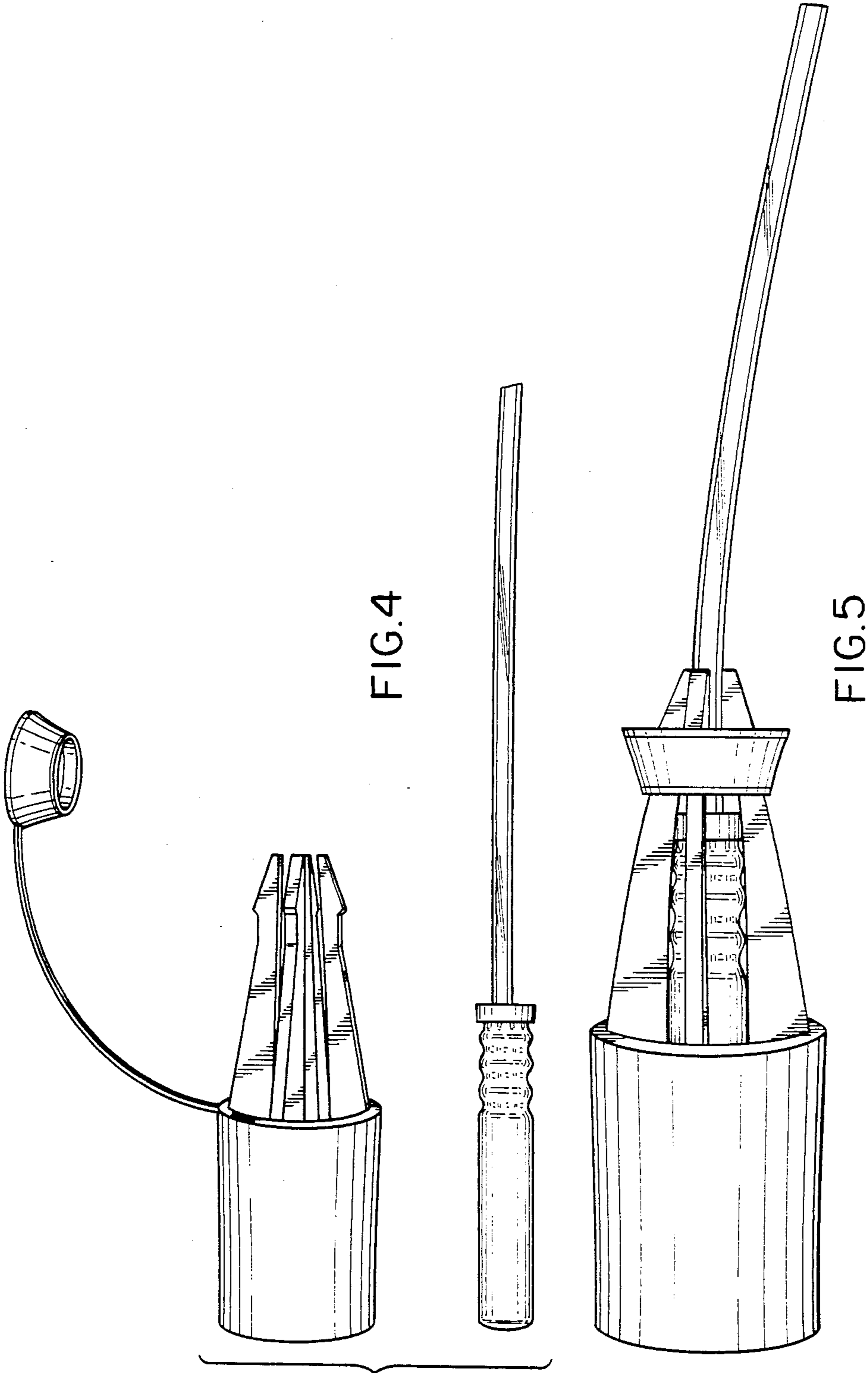


FIG.4

FIG.5

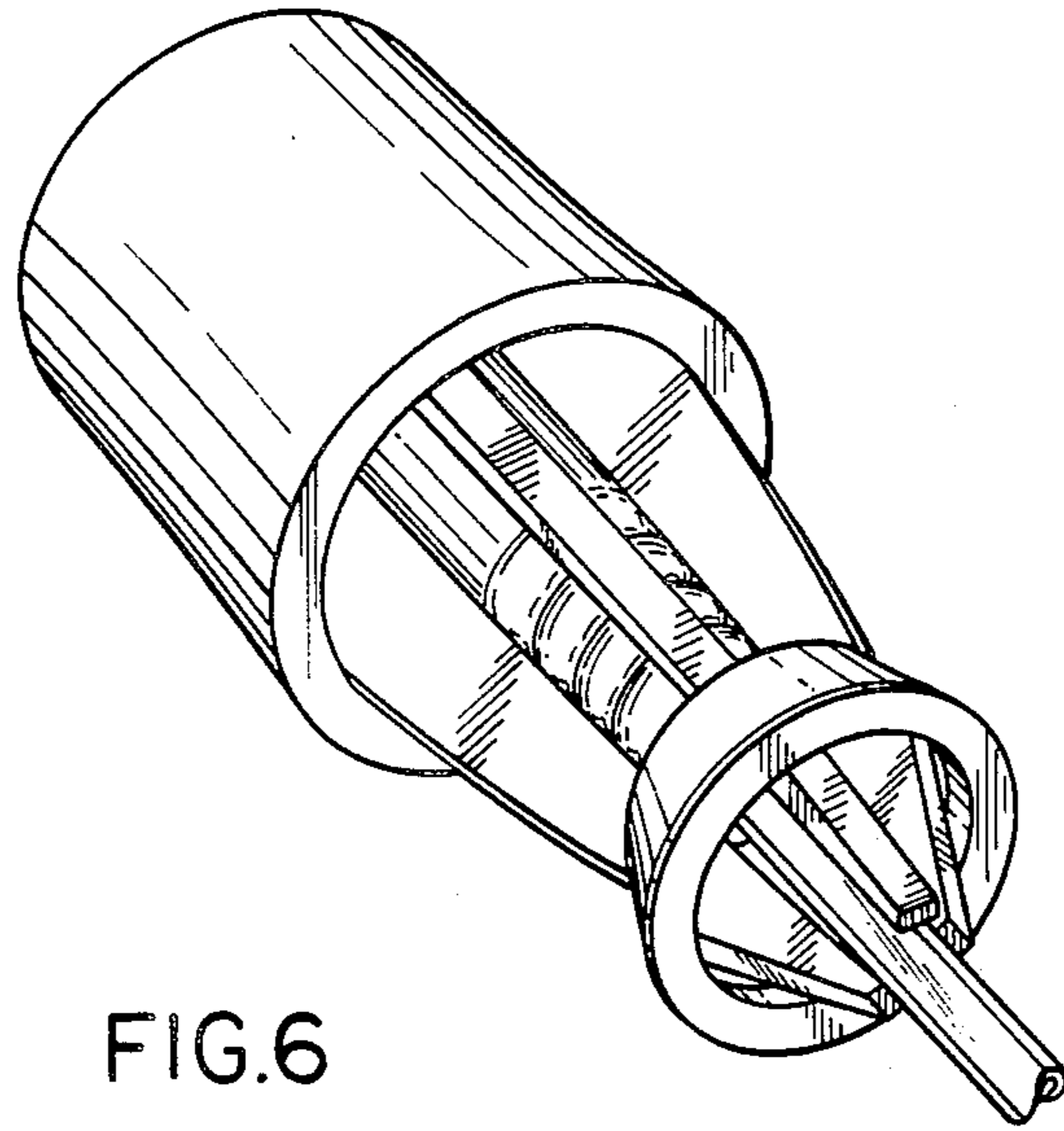


FIG. 6

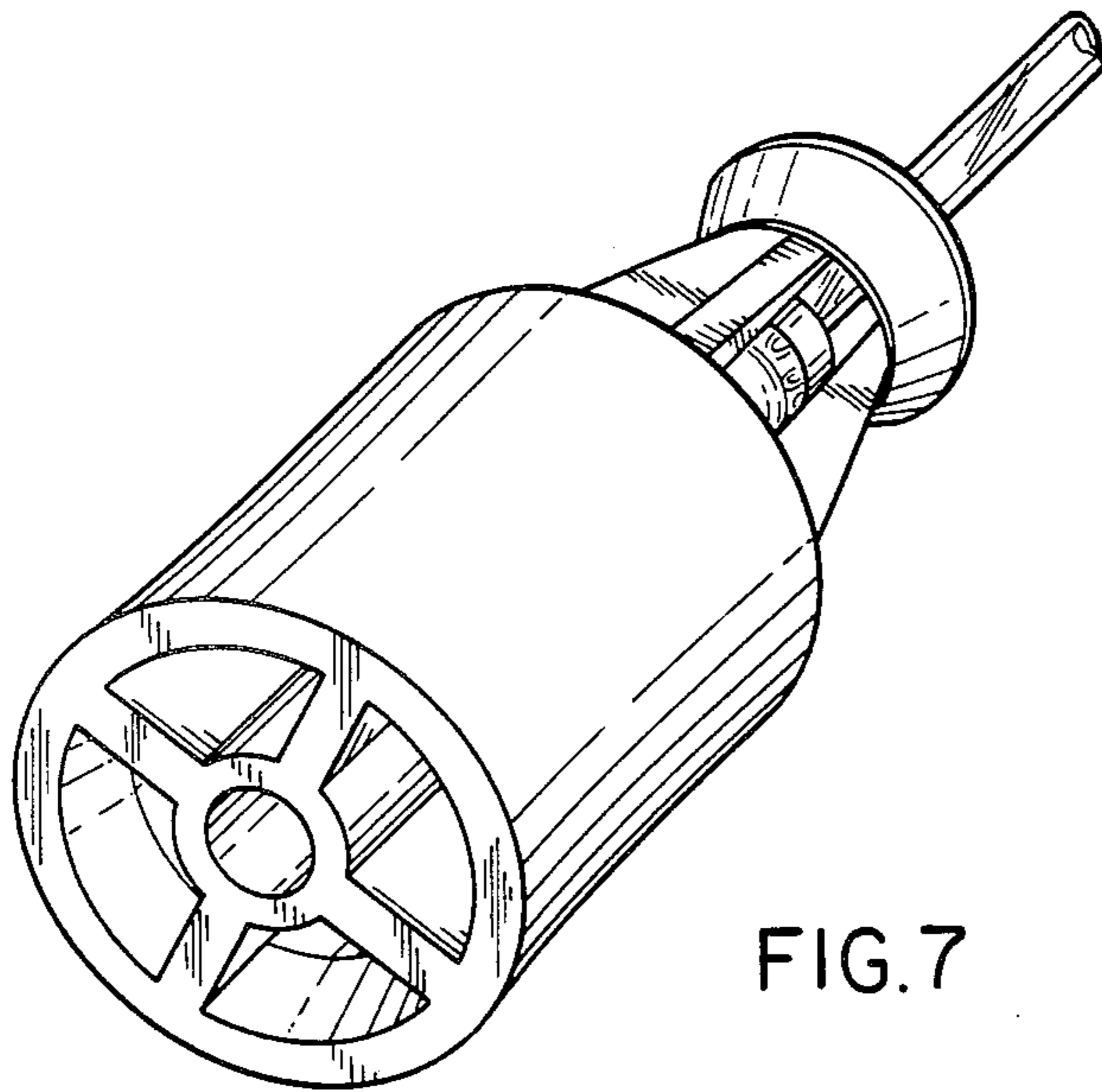


FIG. 7