

[54] COMBINED CARD-INDEX STAND AND DRAWER

[76] Inventor: Lan-Hsiung Wen, No. 31, 8th Lin, Yun Nan Li, Hsin Pu Chen, Hsin Chu, Taiwan

[**] Term: 14 Years

[21] Appl. No.: 707,818

[22] Filed: Mar. 4, 1985

[52] U.S. Cl. D19/76; D19/92

[58] Field of Search D19/75, 76, 78, 86, D19/92; 40/379-383

[56] References Cited

U.S. PATENT DOCUMENTS

- D. 227,811 7/1973 McFarland D19/76
- D. 237,172 10/1975 Hegemann D19/76
- D. 247,298 2/1978 Maruca D19/76

- D. 277,395 1/1985 Ippen D19/76
- 3,106,920 10/1963 Scholfield et al. 40/379

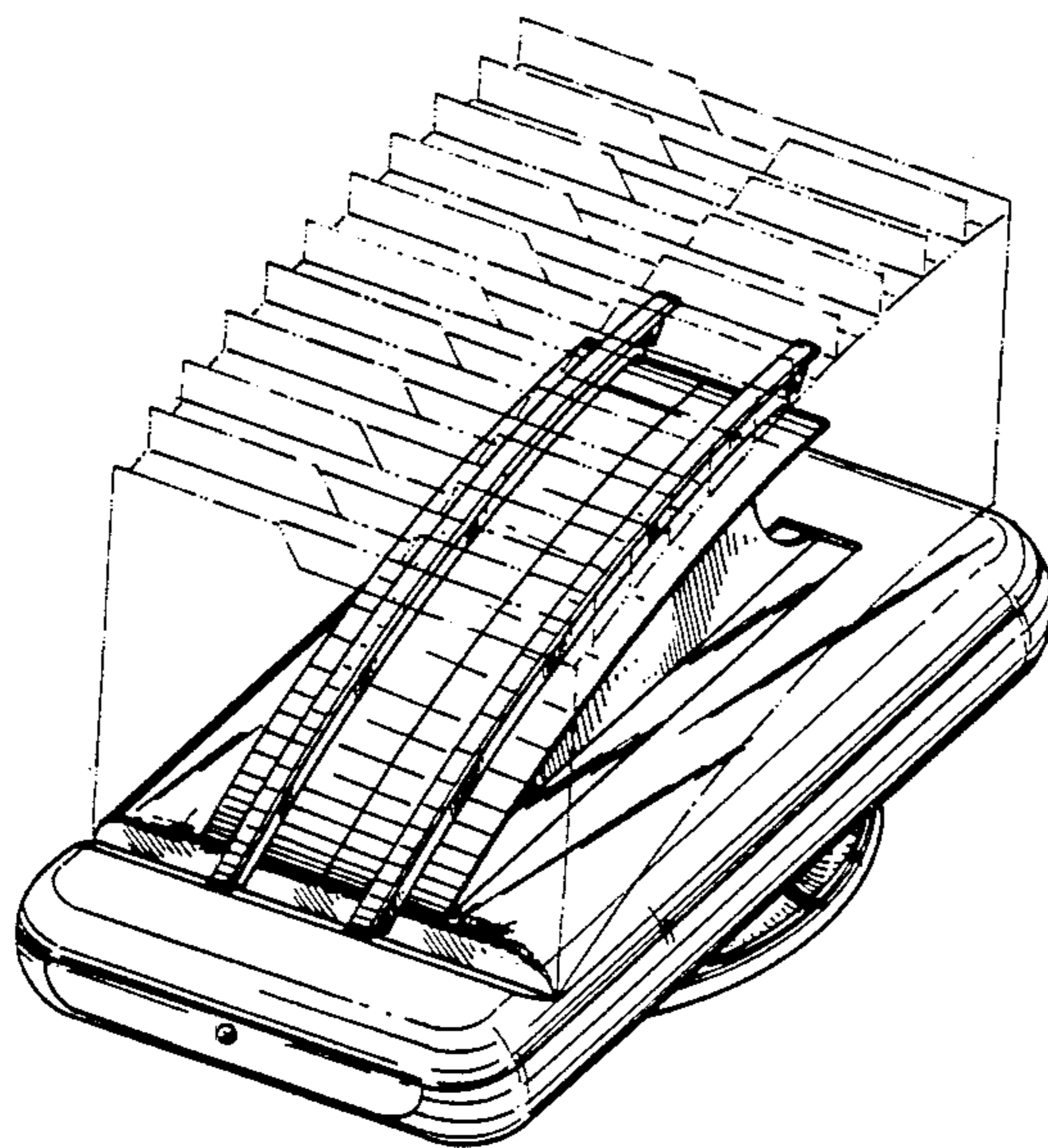
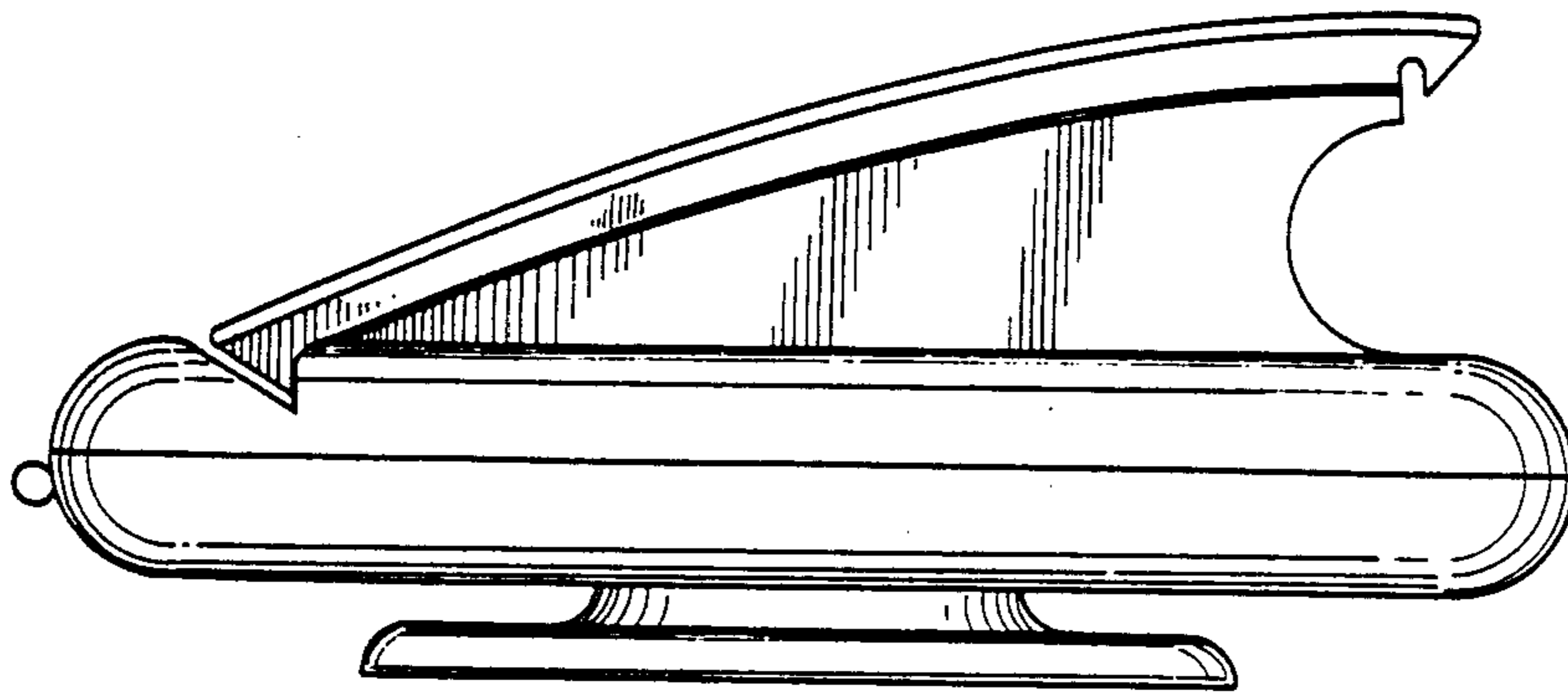
Primary Examiner—George P. Word

[57] CLAIM

The ornamental design for a combined card-index stand and drawer, as shown and described.

DESCRIPTION

FIG. 1 is a perspective view of a combined card-index stand and drawer showing my new design, the environmental structure shown in dotted lines being for illustrative purposes only and not a part of the design claimed; FIG. 2 is a front elevational view thereof; FIG. 3 is a rear elevational view thereof; FIG. 4 is a top plan view thereof; FIG. 5 is a bottom plan view thereof; FIG. 6 is a right side elevational view thereof; and FIG. 7 is a left side elevational view thereof.



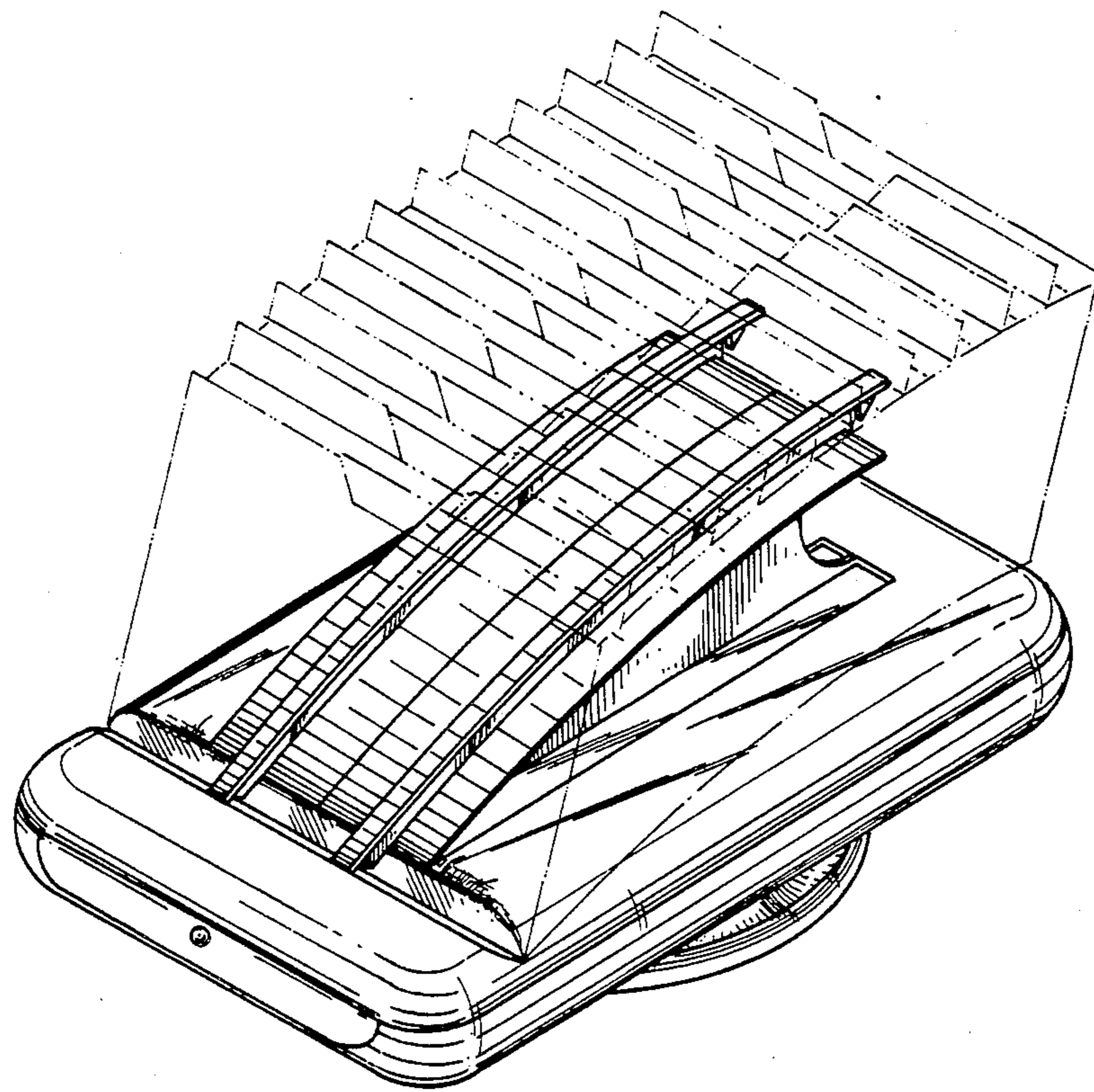


FIG. 1

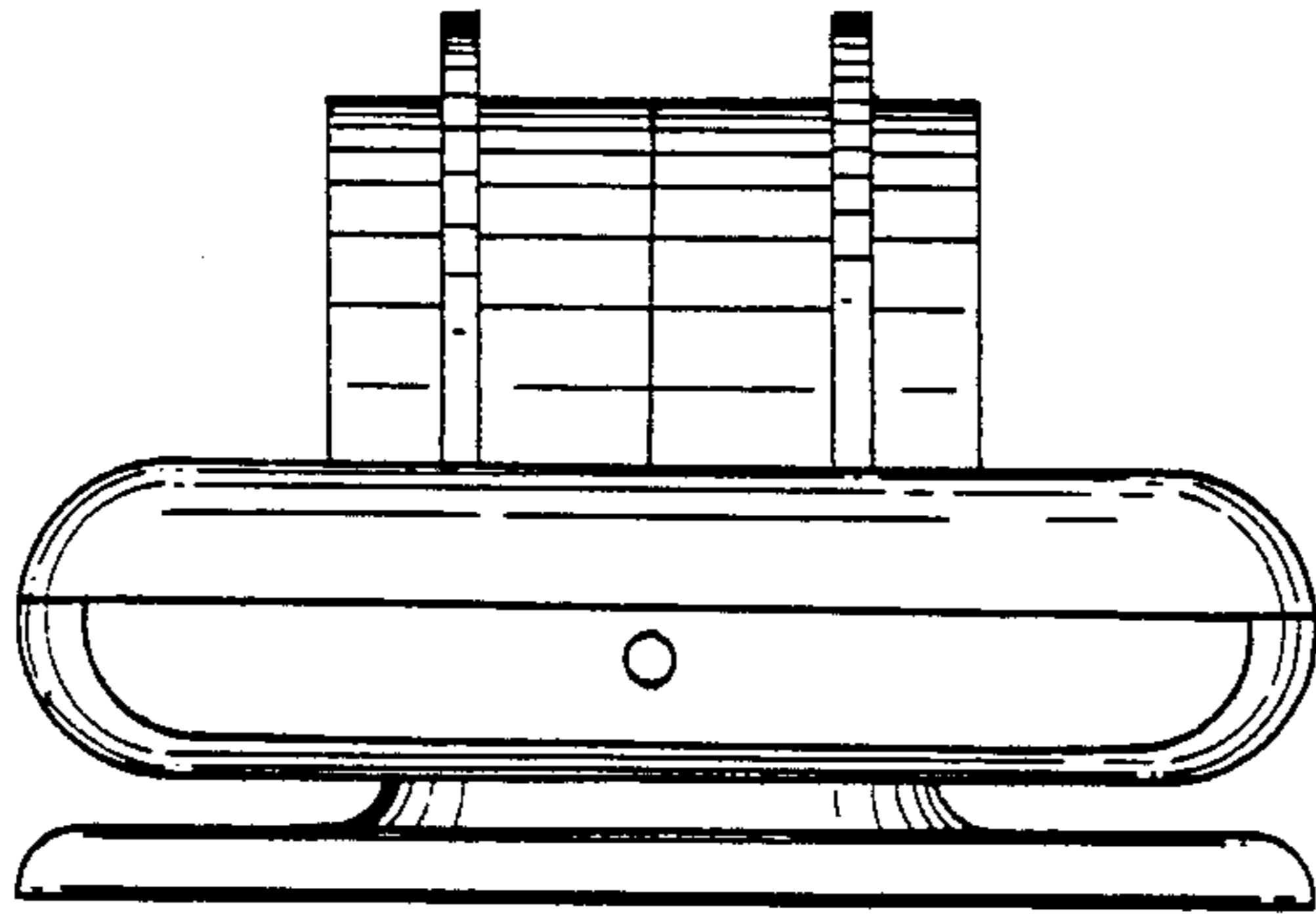


FIG. 2

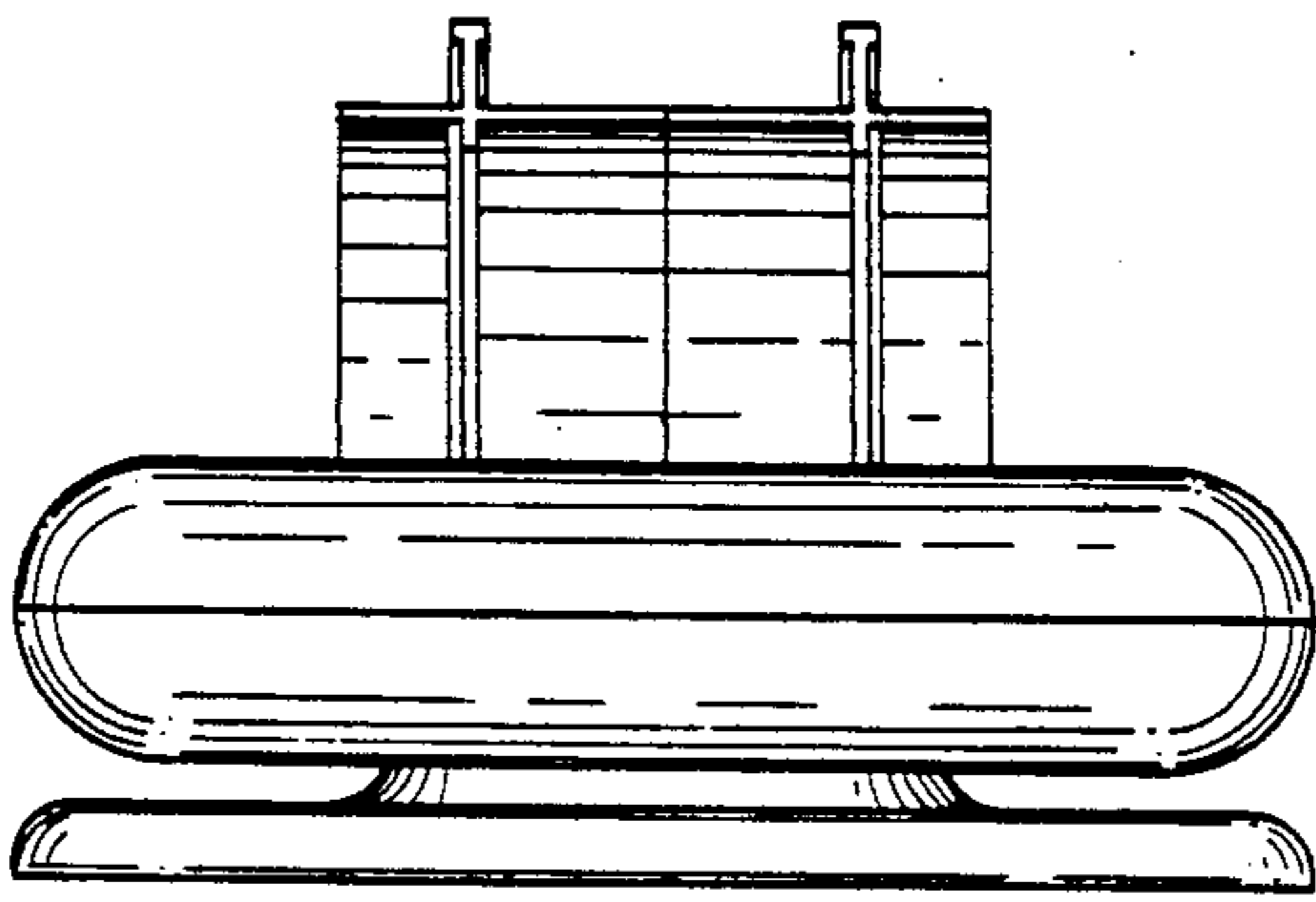


FIG. 3

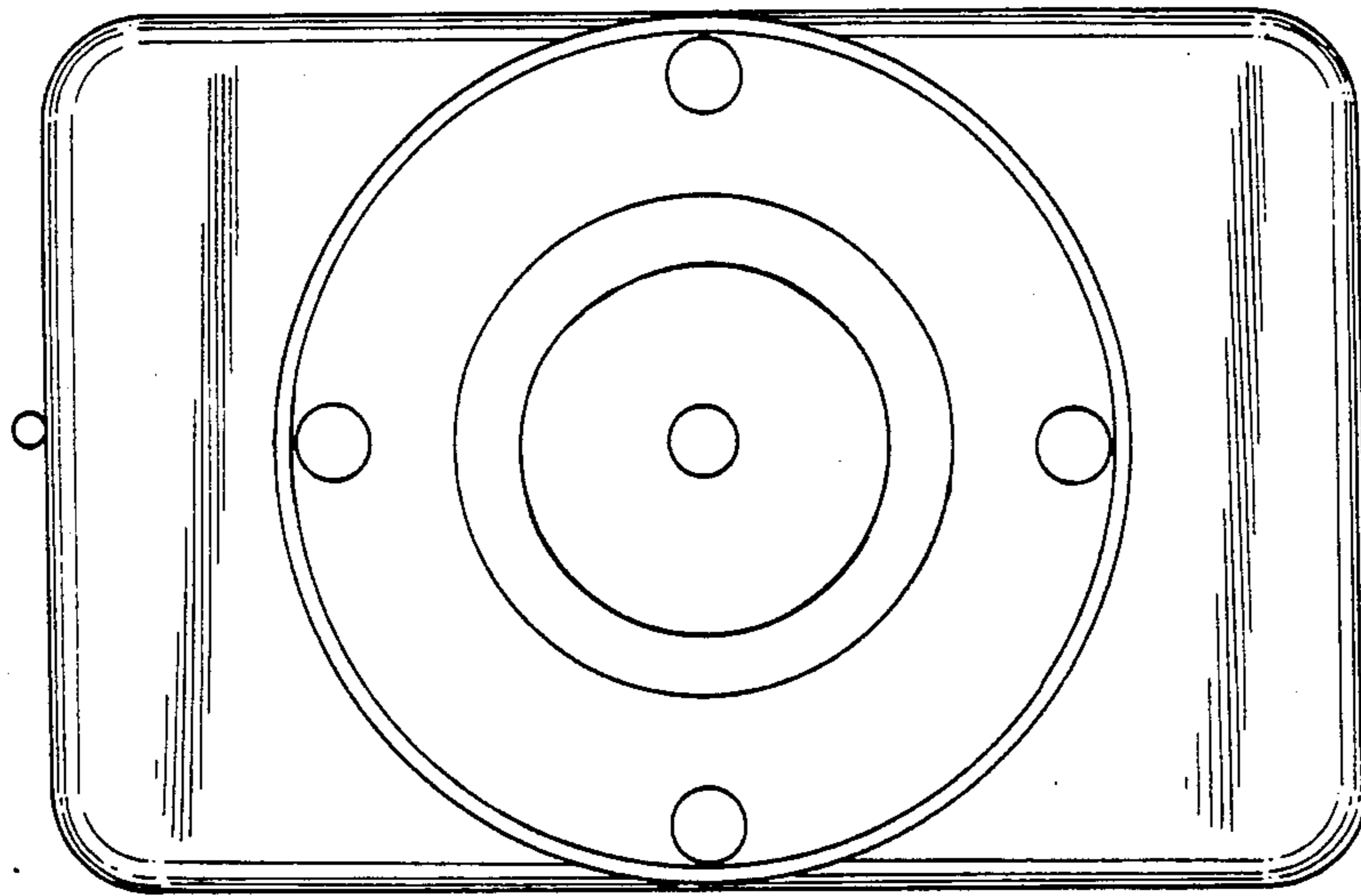


FIG. 5

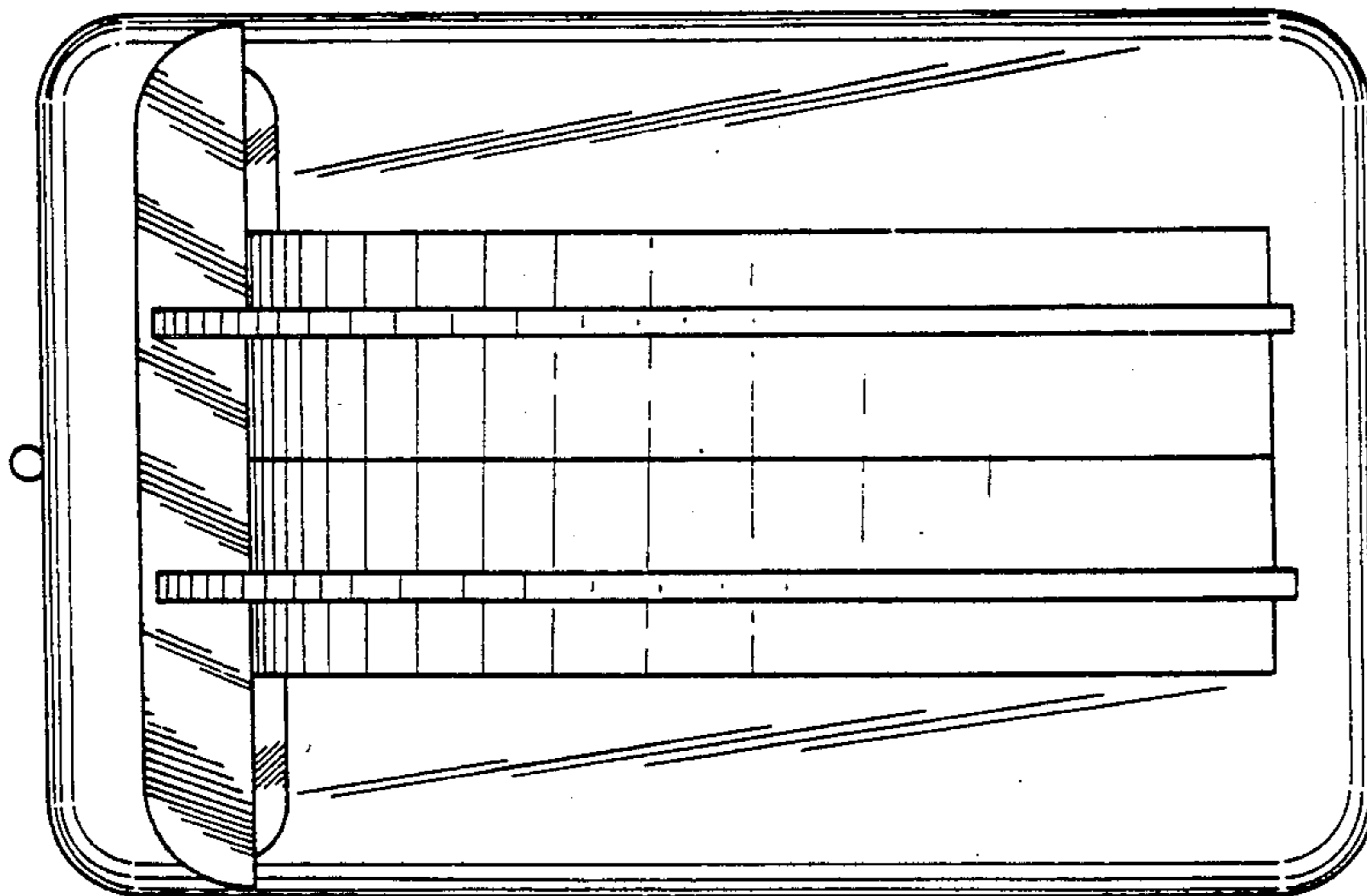


FIG. 4

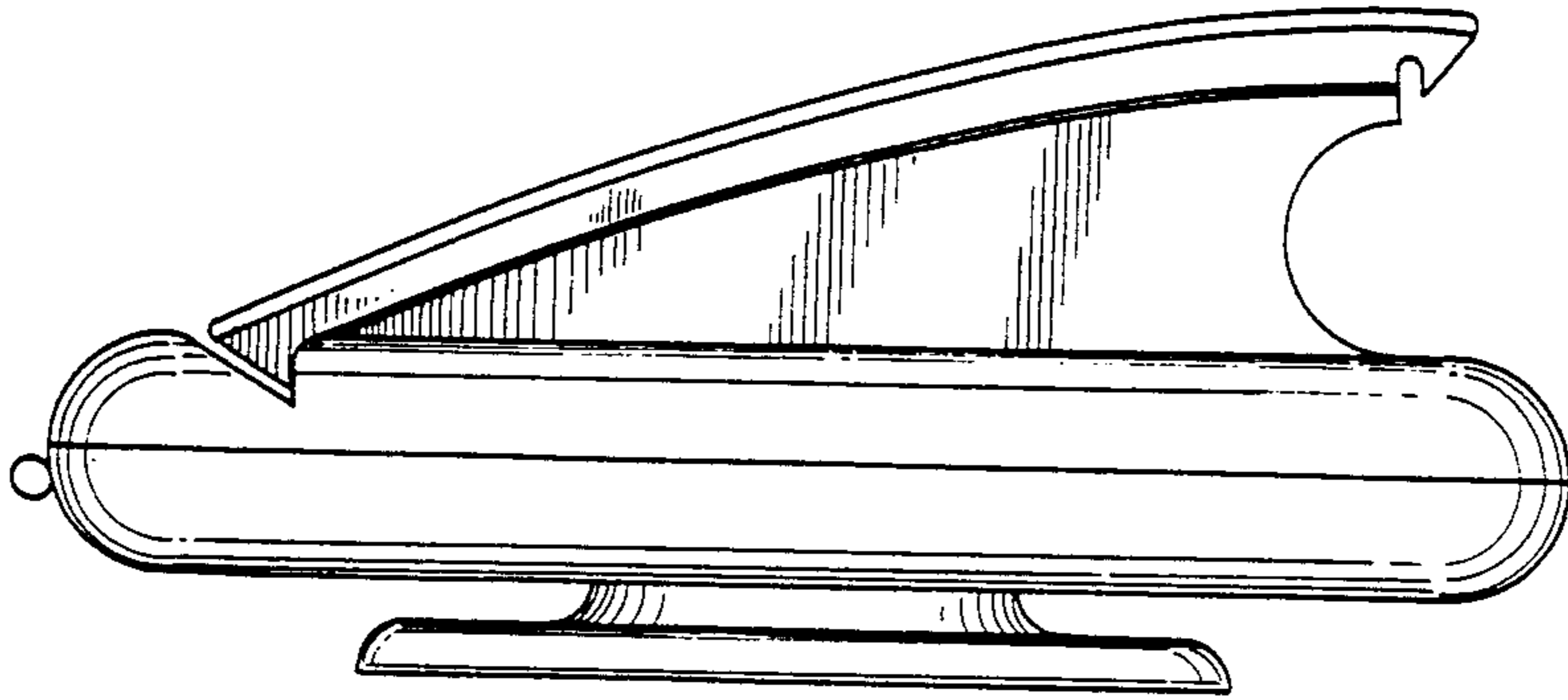


FIG. 6

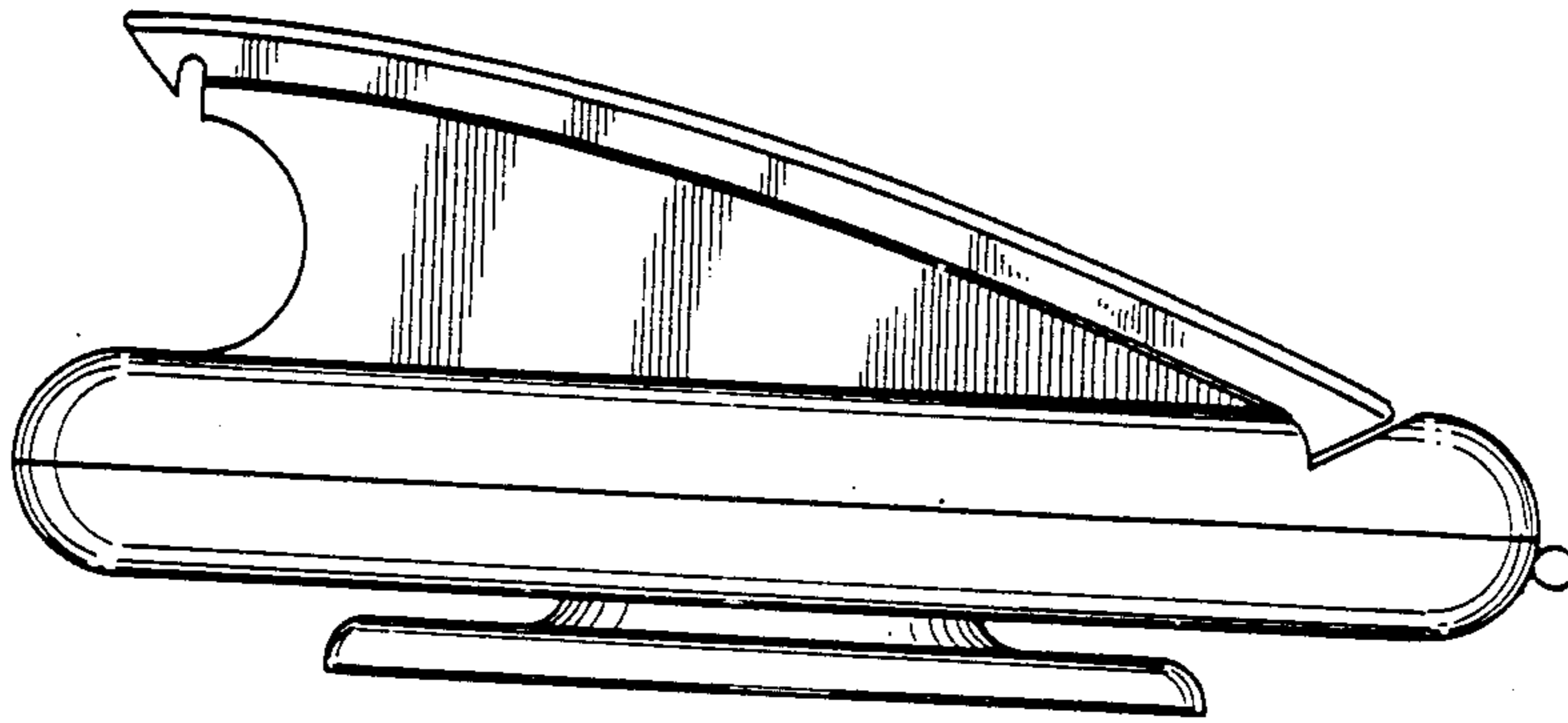


FIG. 7