

[54] ELECTRONIC CALCULATOR

[75] Inventors: Takahisa Yubisui; Hiroshi Sakaguchi; Katsuhiko Iida, all of Osaka, Japan

[73] Assignee: Sharp Corporation, Osaka, Japan

[\*\*] Term: 14 Years

[21] Appl. No.: 806,849

[22] Filed: Nov. 27, 1985

[30] Foreign Application Priority Data

Jun. 3, 1985 [JP] Japan ..... 60-23480

[52] U.S. Cl. .... D18/7

[58] Field of Search ..... D18/2, 7, 12; 364/706-710; 200/5 A

[56] References Cited

U.S. PATENT DOCUMENTS

- D. 258,892 4/1981 Ohie et al. .... D18/7
- D. 279,688 7/1985 Kitai et al. .... D18/7
- D. 285,805 9/1986 Yubisui et al. .... D18/7
- 4,264,962 4/1981 Kodaira ..... 364/707

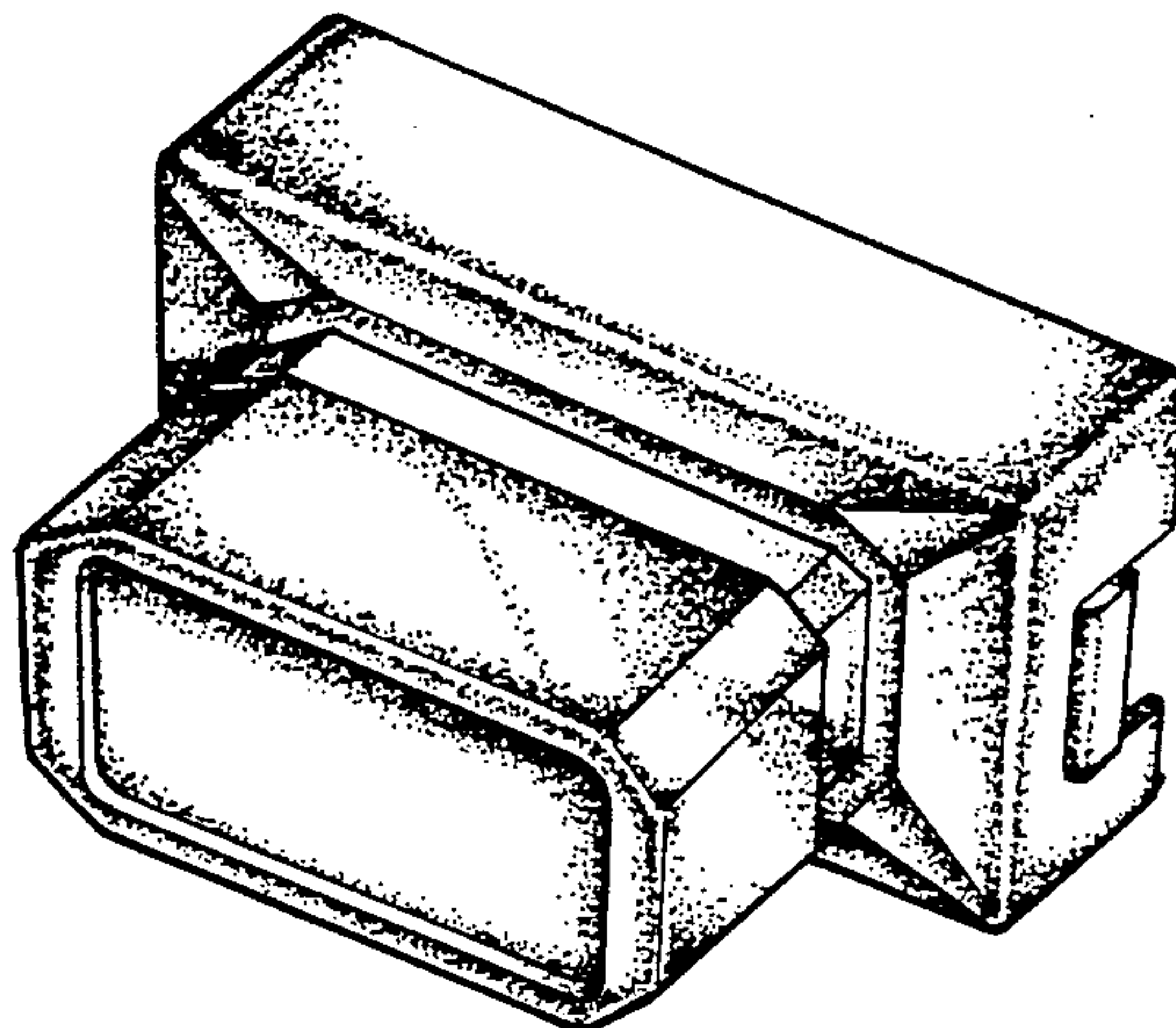
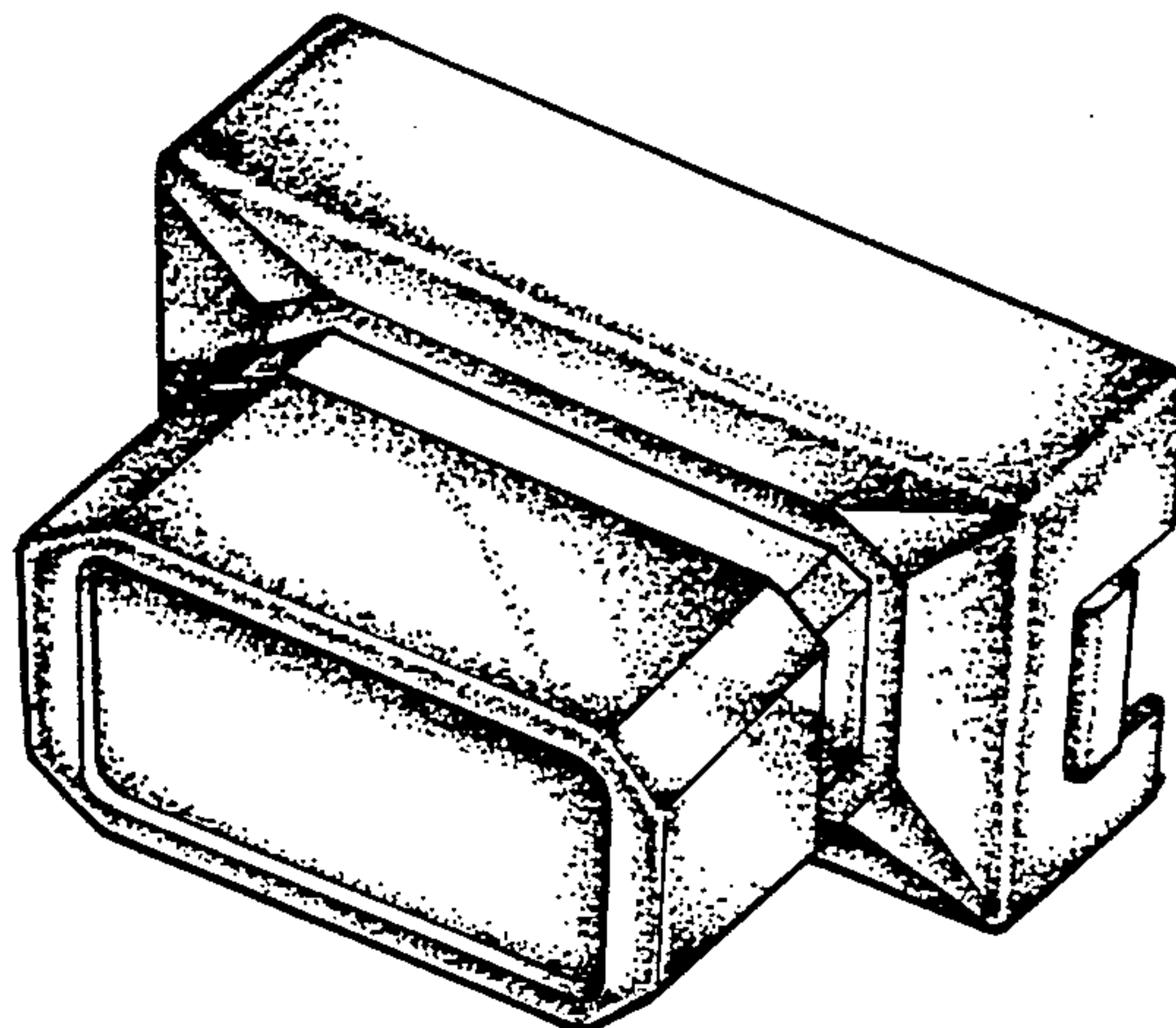
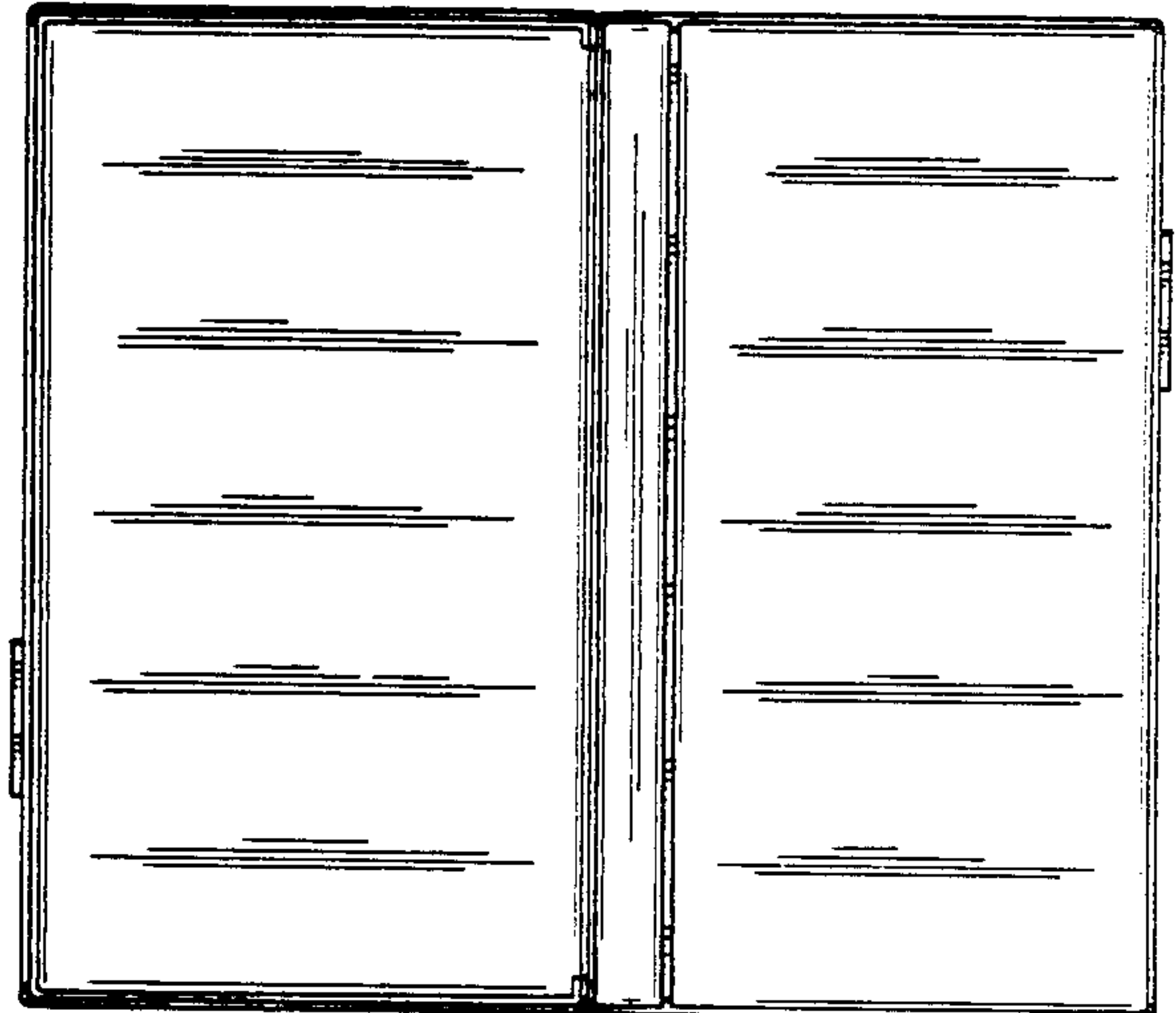
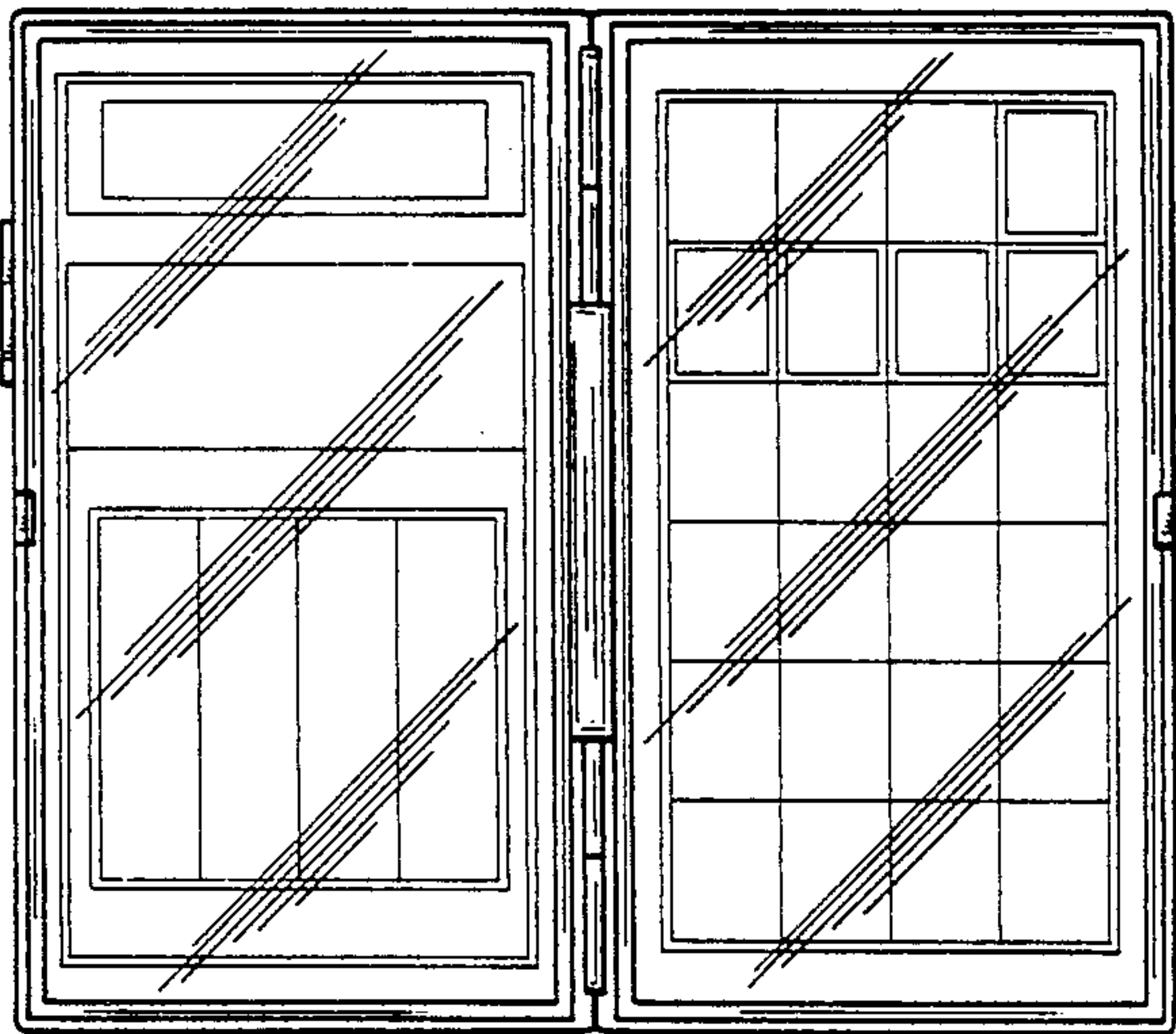
Primary Examiner—Louis S. Zarfaz  
Attorney, Agent, or Firm—Flehr, Hohbach, Test, Albritton & Herbert

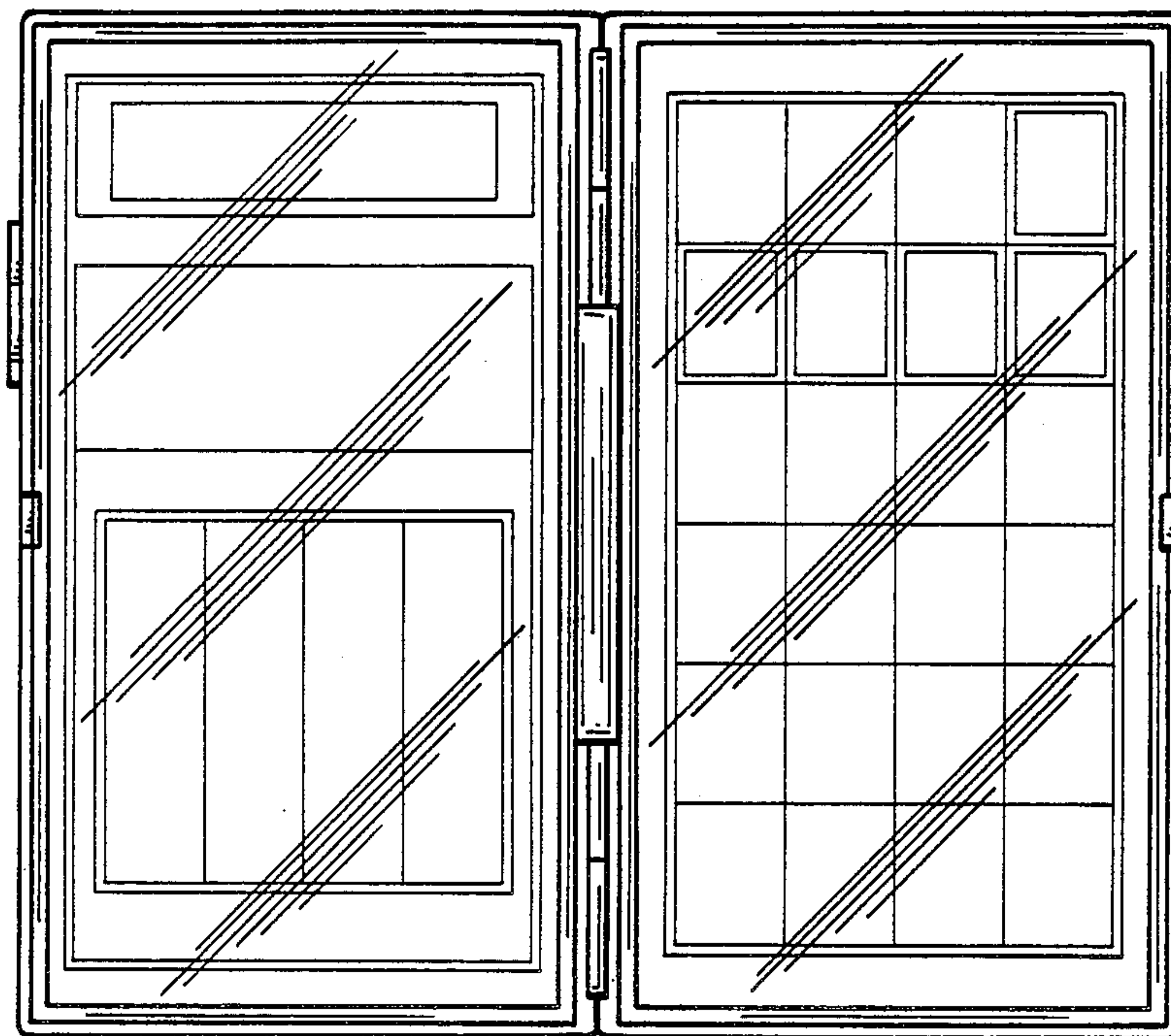
[57] CLAIM

The ornamental design for an electronic calculator, as shown and described.

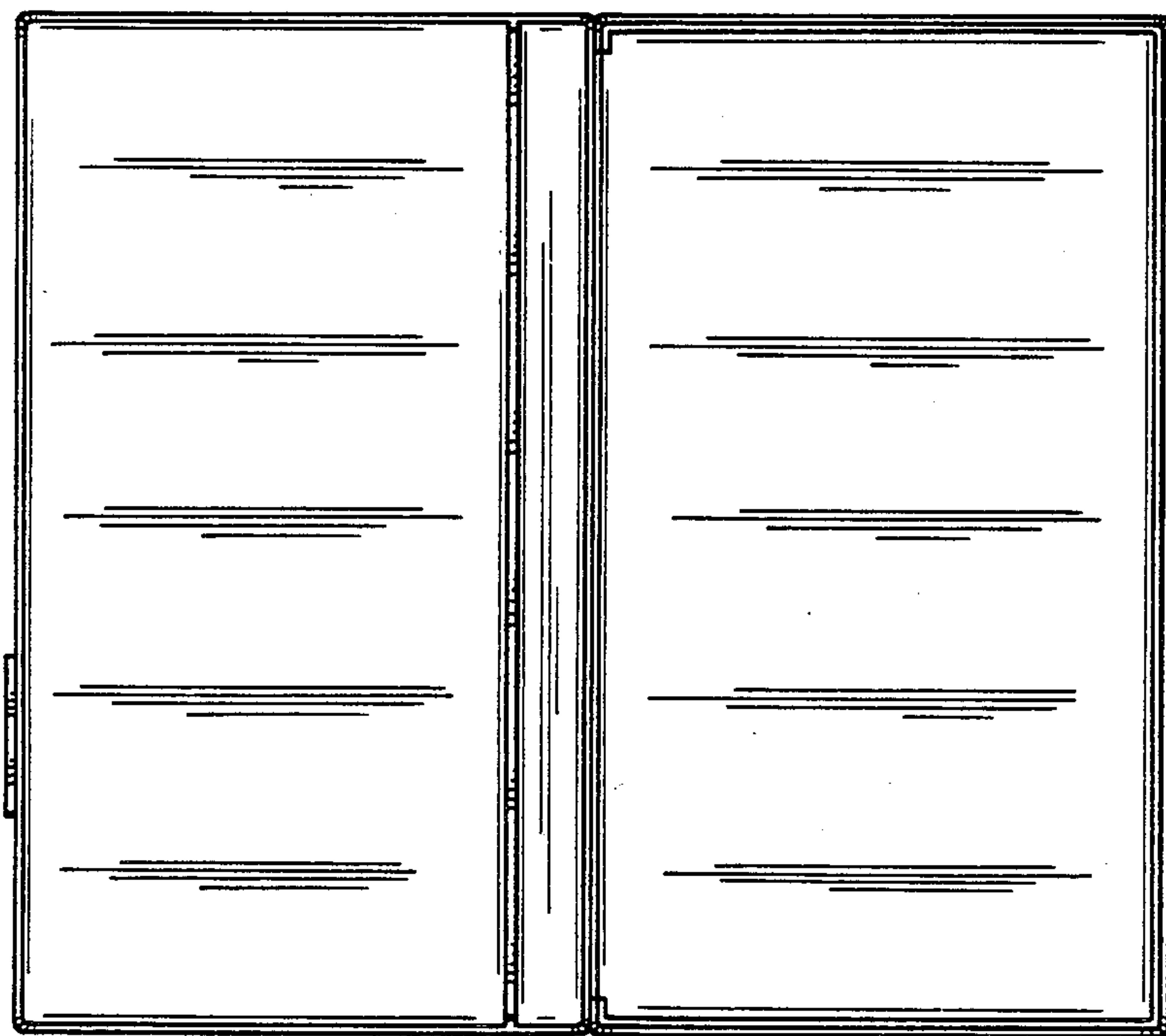
DESCRIPTION

FIG. 1 is a top plan view of an electronic calculator, showing our new design in the operating state;  
 FIG. 2 is a bottom plan view in the operating state thereof;  
 FIG. 3 is a front elevational view in the operating state thereof;  
 FIG. 4 is a rear elevational view in the operating state thereof;  
 FIG. 5 is a right side elevational view in the operating state thereof;  
 FIG. 6 is a left side elevational view in the operating state thereof;  
 FIG. 7 is a plan view in the stored state thereof;  
 FIG. 8 is a bottom view in the stored state thereof;  
 FIG. 9 is a right side elevational view in the stored state thereof;  
 FIG. 10 is a left side elevational view in the stored state thereof;  
 FIG. 11 is a front elevational view in the stored state thereof; and  
 FIG. 12 is a rear elevational view in the stored state thereof.





*FIG\_1*



*FIG\_2*



*FIG\_3*



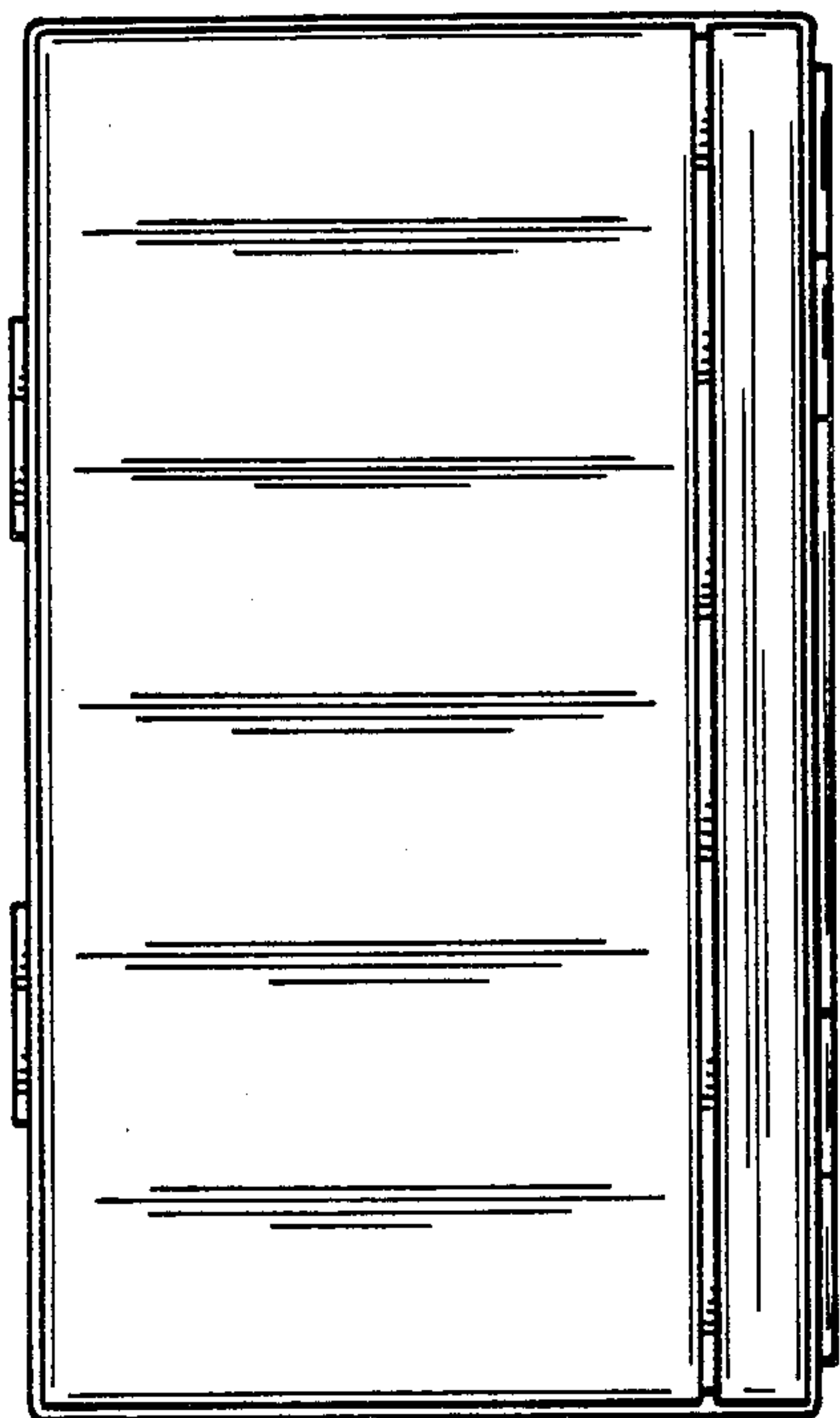
*FIG\_4*



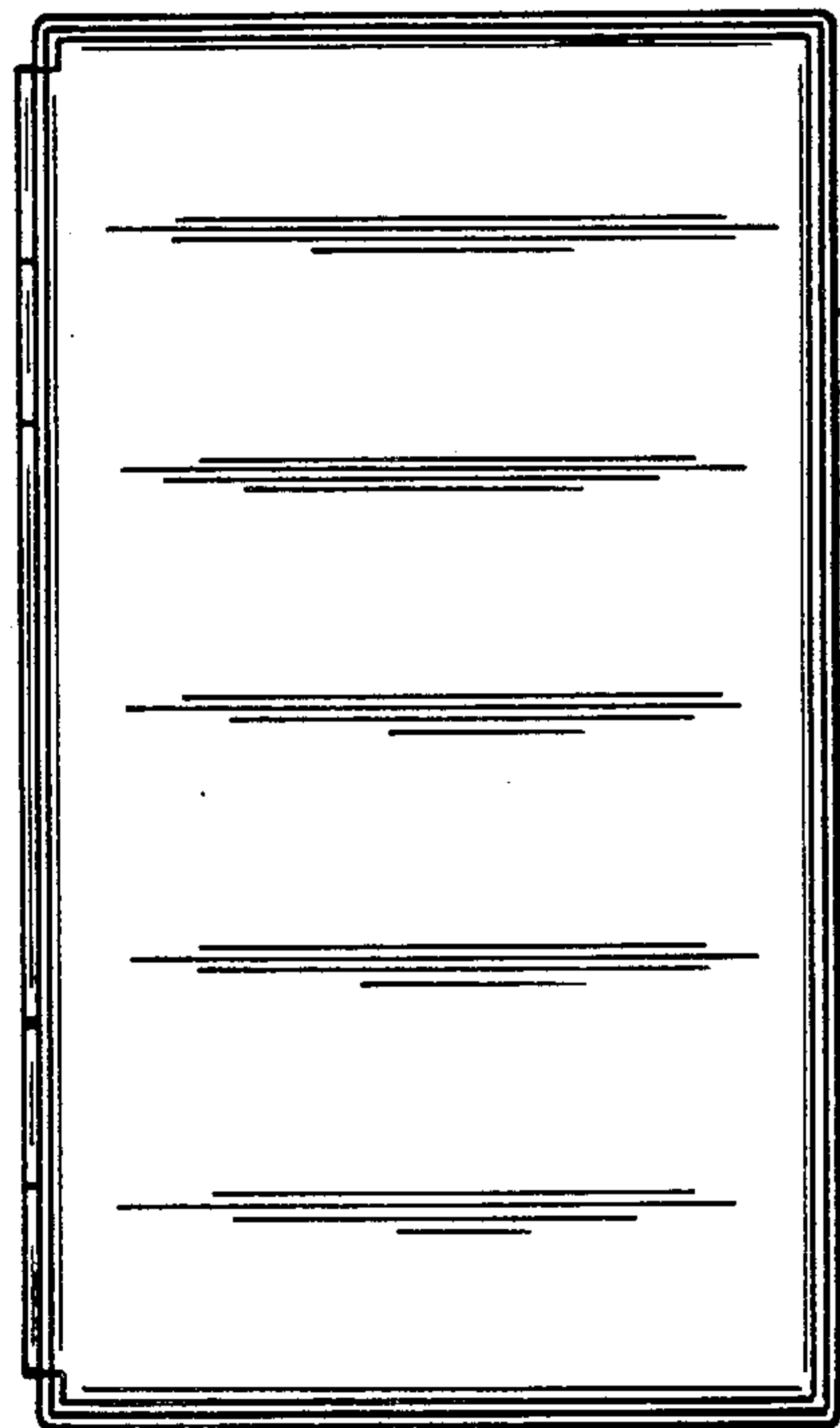
*FIG\_5*



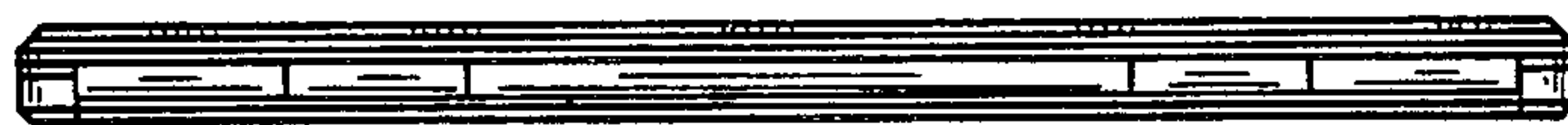
*FIG\_6*



*FIG\_7*



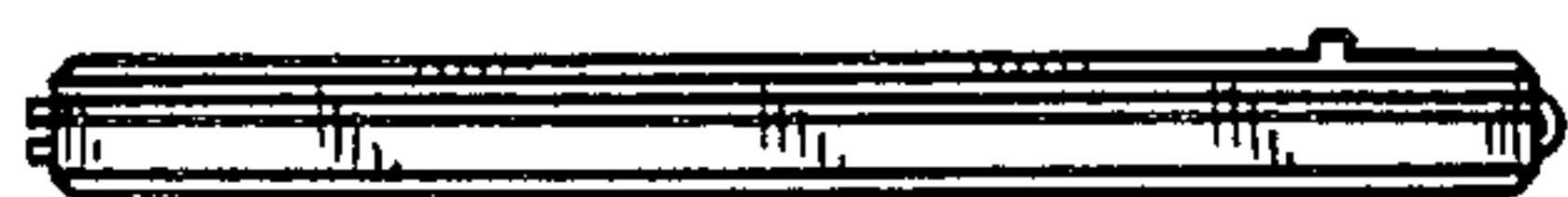
*FIG\_8*



*FIG\_9*



*FIG\_10*



*FIG\_11*



*FIG\_12*



UNITED STATES PATENT AND TRADEMARK OFFICE  
**CERTIFICATE OF CORRECTION**

PATENT NO. : Des. 293,920

Page 1 of 2

DATED : January 26, 1988

INVENTOR(S) : Takahisa Yubisui, Hiroshi Sakaguch and Katsuhiko Iida

It is certified that error appears in the above-identified patent and that said Letters Patent is hereby corrected as shown below:

On the Title Page, the bottom figure should be deleted to appear as per attached Title Page.

**Signed and Sealed this  
Seventh Day of March, 1989**

*Attest:*

DONALD J. QUIGG

*Attesting Officer*

*Commissioner of Patents and Trademarks*

**United States Patent** [19]

**Yubisui et al.**

[11] **Patent Number: Des. 293,920**

[45] **Date of Patent: \*\* Jan. 26, 1988**

[54] **ELECTRONIC CALCULATOR**

[75] **Inventors: Takahisa Yubisui; Hiroshi Sakaguchi; Katsuhiko Iida, all of Osaka, Japan**

[73] **Assignee: Sharp Corporation, Osaka, Japan**

[\*\*] **Term: 14 Years**

[21] **Appl. No.: 806,849**

[22] **Filed: Nov. 27, 1985**

[30] **Foreign Application Priority Data**

Jun. 3, 1985 [JP] Japan ..... 60-23480

[52] **U.S. Cl. .... D18/7**

[58] **Field of Search ..... D18/2, 7, 12; 364/706-710; 200/5 A**

[56] **References Cited**

**U.S. PATENT DOCUMENTS**

- D. 258,892 4/1981 Ohie et al. .... D18/7
- D. 279,688 7/1985 Kitai et al. .... D18/7
- D. 285,805 9/1986 Yubisui et al. .... D18/7
- 4,264,962 4/1981 Kodaira ..... 364/707

*Primary Examiner—Louis S. Zarfus*  
*Attorney, Agent, or Firm—Flehr, Hohbach, Test, Albritton & Herbert*

[57] **CLAIM**

The ornamental design for an electronic calculator, as shown and described.

**DESCRIPTION**

FIG. 1 is a top plan view of an electronic calculator, showing our new design in the operating state;  
 FIG. 2 is a bottom plan view in the operating state thereof;  
 FIG. 3 is a front elevational view in the operating state thereof;  
 FIG. 4 is a rear elevational view in the operating state thereof;  
 FIG. 5 is a right side elevational view in the operating state thereof;  
 FIG. 6 is a left side elevational view in the operating state thereof;  
 FIG. 7 is a plan view in the stored state thereof;  
 FIG. 8 is a bottom view in the stored state thereof;  
 FIG. 9 is a right side elevational view in the stored state thereof;  
 FIG. 10 is a left side elevational view in the stored state thereof;  
 FIG. 11 is a front elevational view in the stored state thereof; and  
 FIG. 12 is a rear elevational view in the stored state thereof.

