

[54] CAMERA

[75] Inventors: Noboru Tanaka, Kawasaki; Michio Hirohata, Inagi, both of Japan

[73] Assignee: Canon Kabushiki Kaisha, Tokyo, Japan

[**] Term: 14 Years

[21] Appl. No.: 754,453

[22] Filed: Jul. 12, 1985

[30] Foreign Application Priority Data

Jan. 16, 1985 [JP] Japan 60-911

[52] U.S. Cl. D16/5; D16/1; D16/6

[58] Field of Search D16/1-10; 354/81-82, 126, 127.1, 127.11, 149.11, 202-203, 288, 187

[56] References Cited

U.S. PATENT DOCUMENTS

- D. 247,852 5/1978 Fukuda D16/6
- D. 271,880 12/1983 Agou D16/1
- D. 279,573 7/1985 Agou D16/1
- D. 280,204 8/1985 Soda D16/8
- D. 285,450 9/1986 Soda D16/6

OTHER PUBLICATIONS

Canon AF 35 M Sureshot Brochure-12/79-Camera on front cover.

Popular Photography, 6/83-p. 73-Camera at bottom right.

Primary Examiner—Nelson C. Holtje
Attorney, Agent, or Firm—Fitzpatrick, Cella, Harper & Scinto

[57] CLAIM

The ornamental design for a camera, as shown and described.

DESCRIPTION

FIG. 1 is a front elevational view of a camera showing our new design with the lens barrier open;
 FIG. 2 is a rear elevational view thereof;
 FIG. 3 is a top plan view thereof;
 FIG. 4 is a bottom plan view thereof;
 FIG. 5 is a left side elevational view thereof;
 FIG. 6 is a right side elevational view thereof;
 FIG. 7 is a top and left-front perspective view thereof;
 FIG. 8 is a left front perspective view thereof, with the lens barrel extended;
 FIG. 9 is a left front perspective view thereof, with the flash extended.

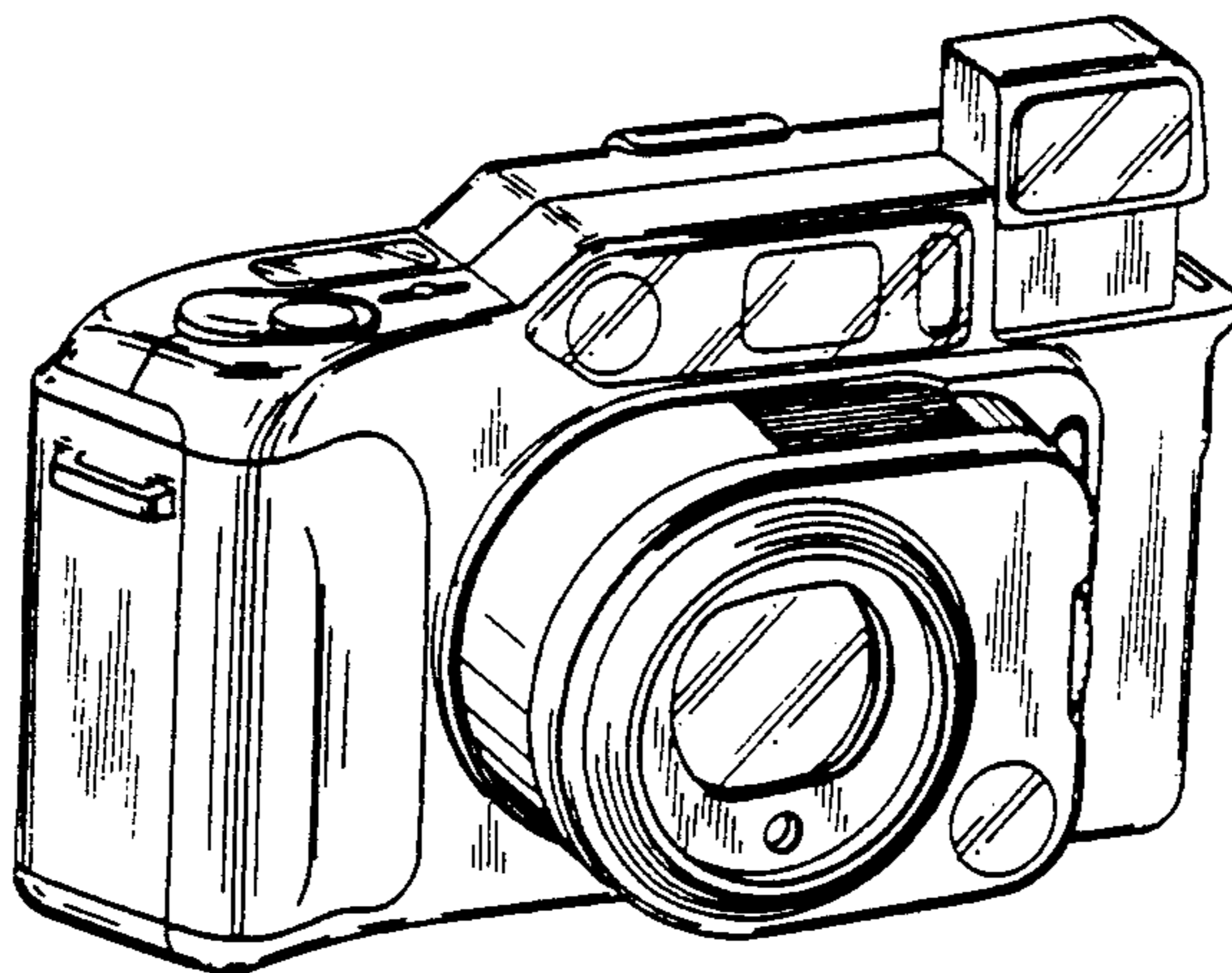


FIG. 1

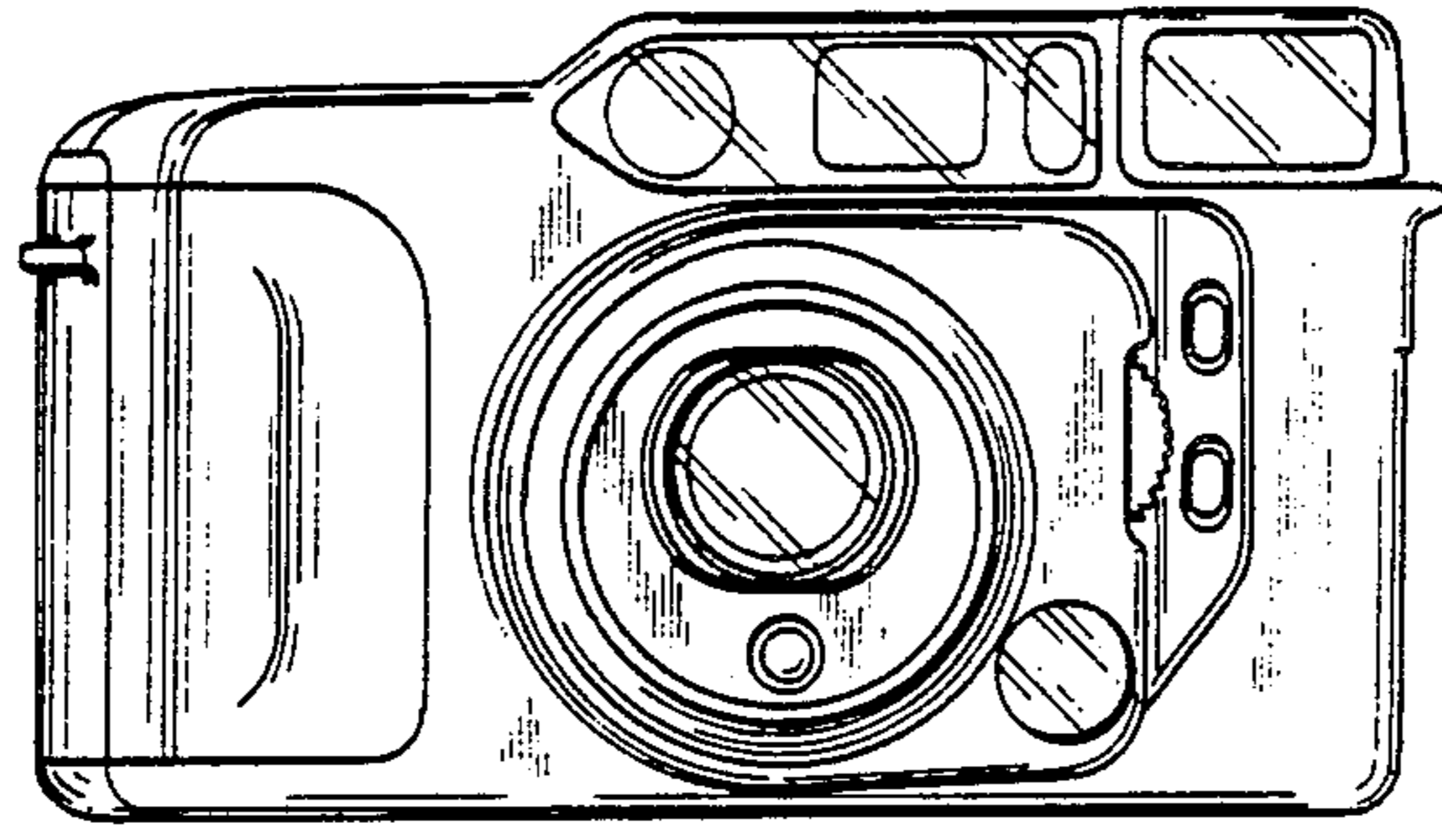


FIG. 2

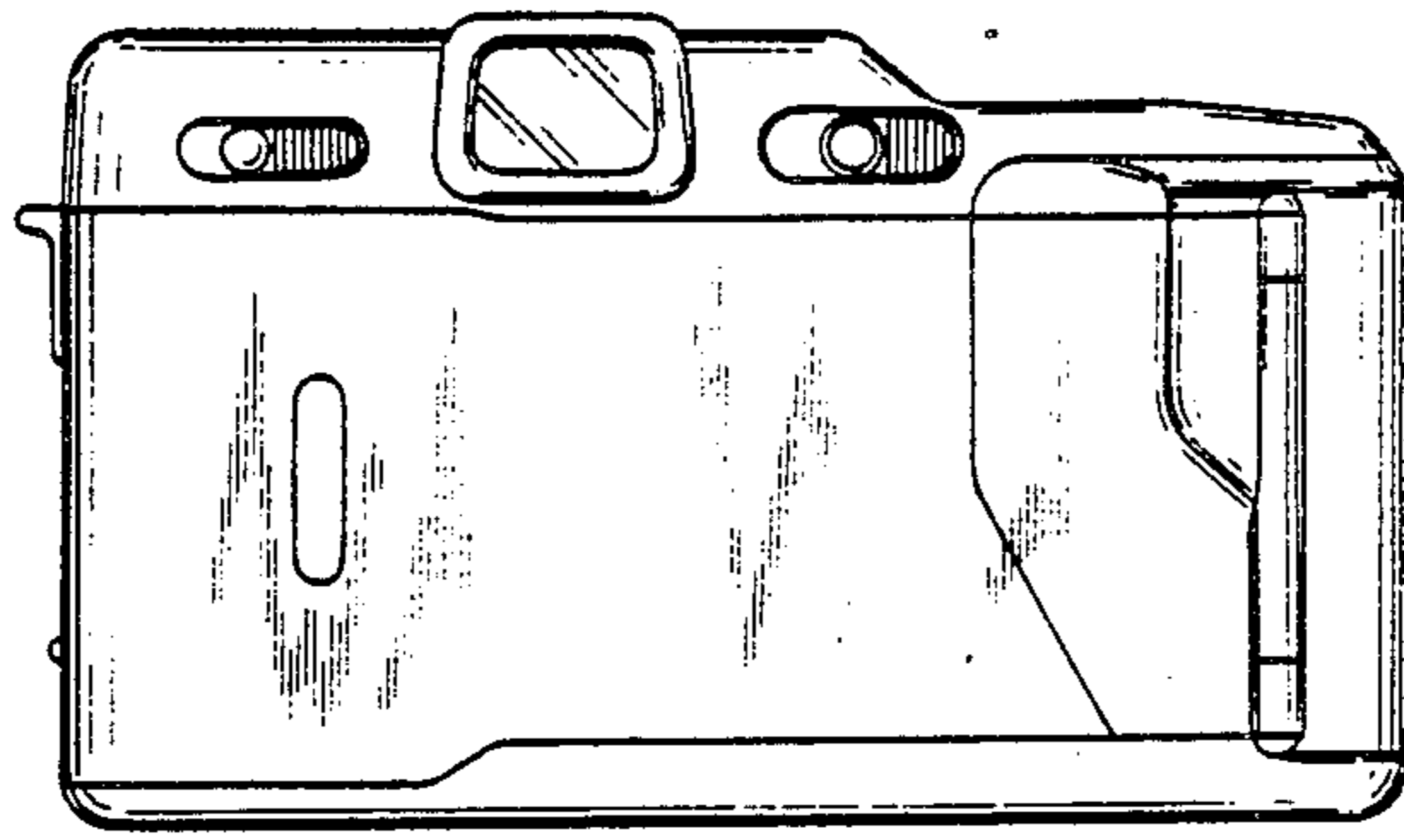


FIG. 3

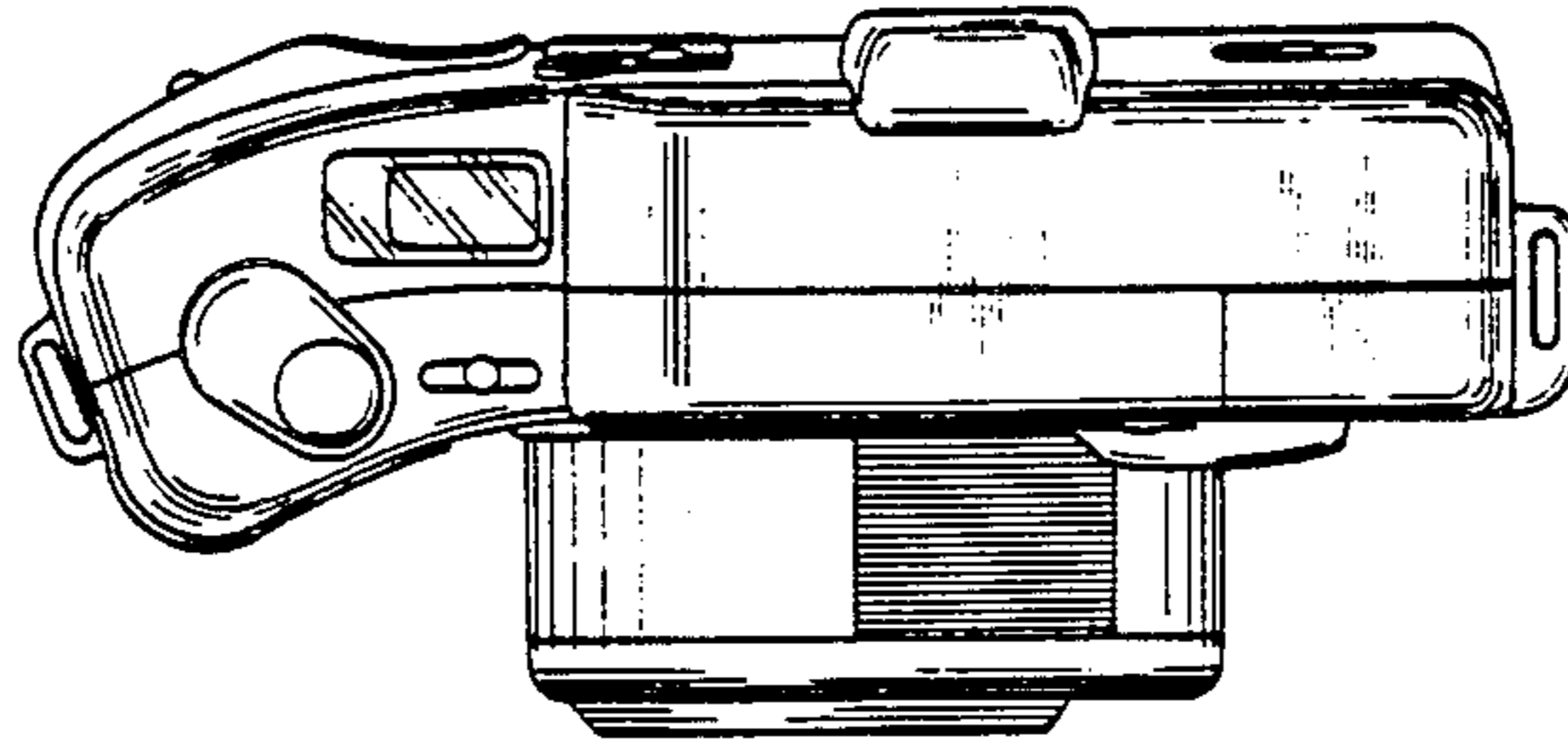


FIG. 4

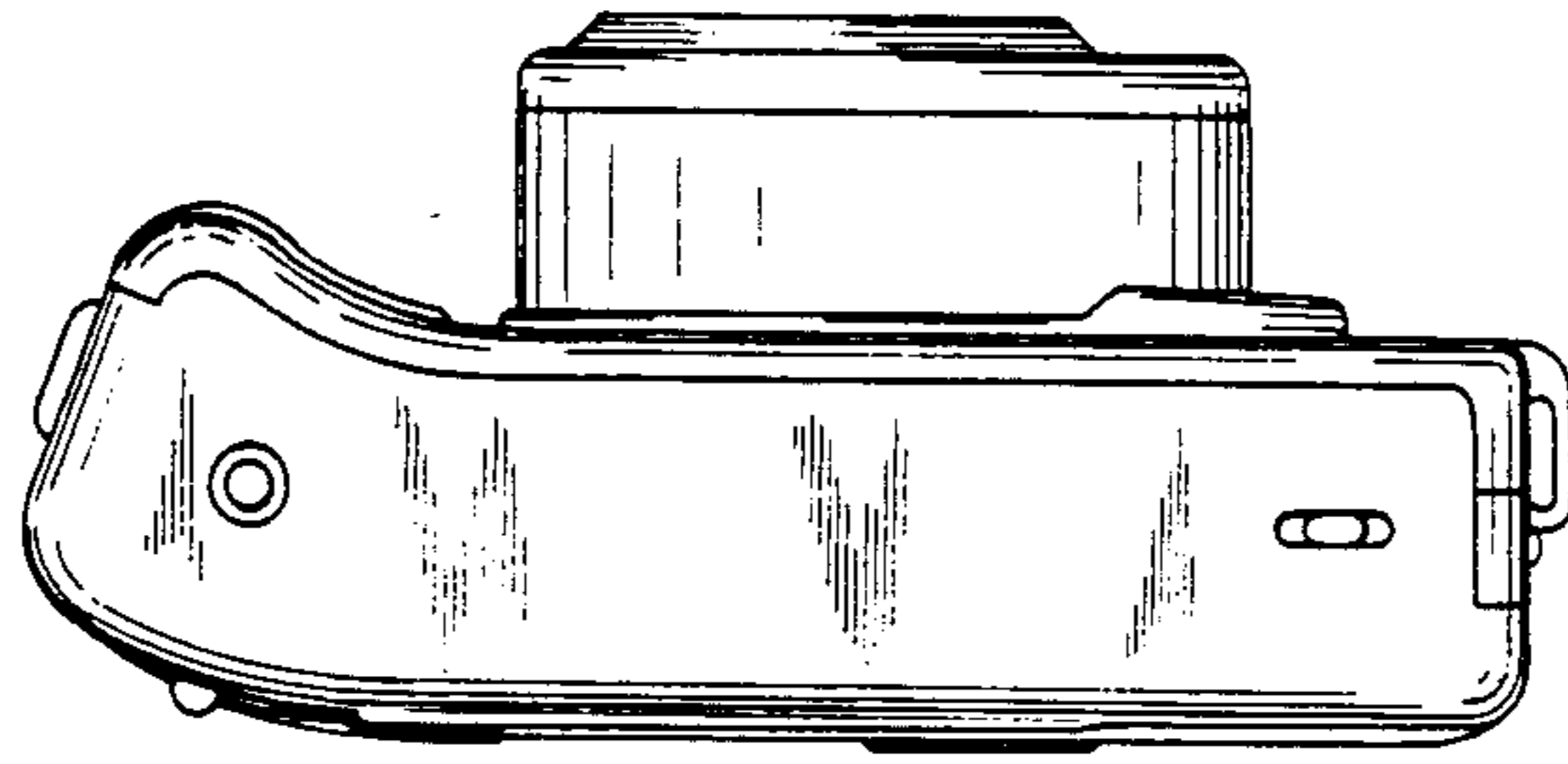


FIG. 5

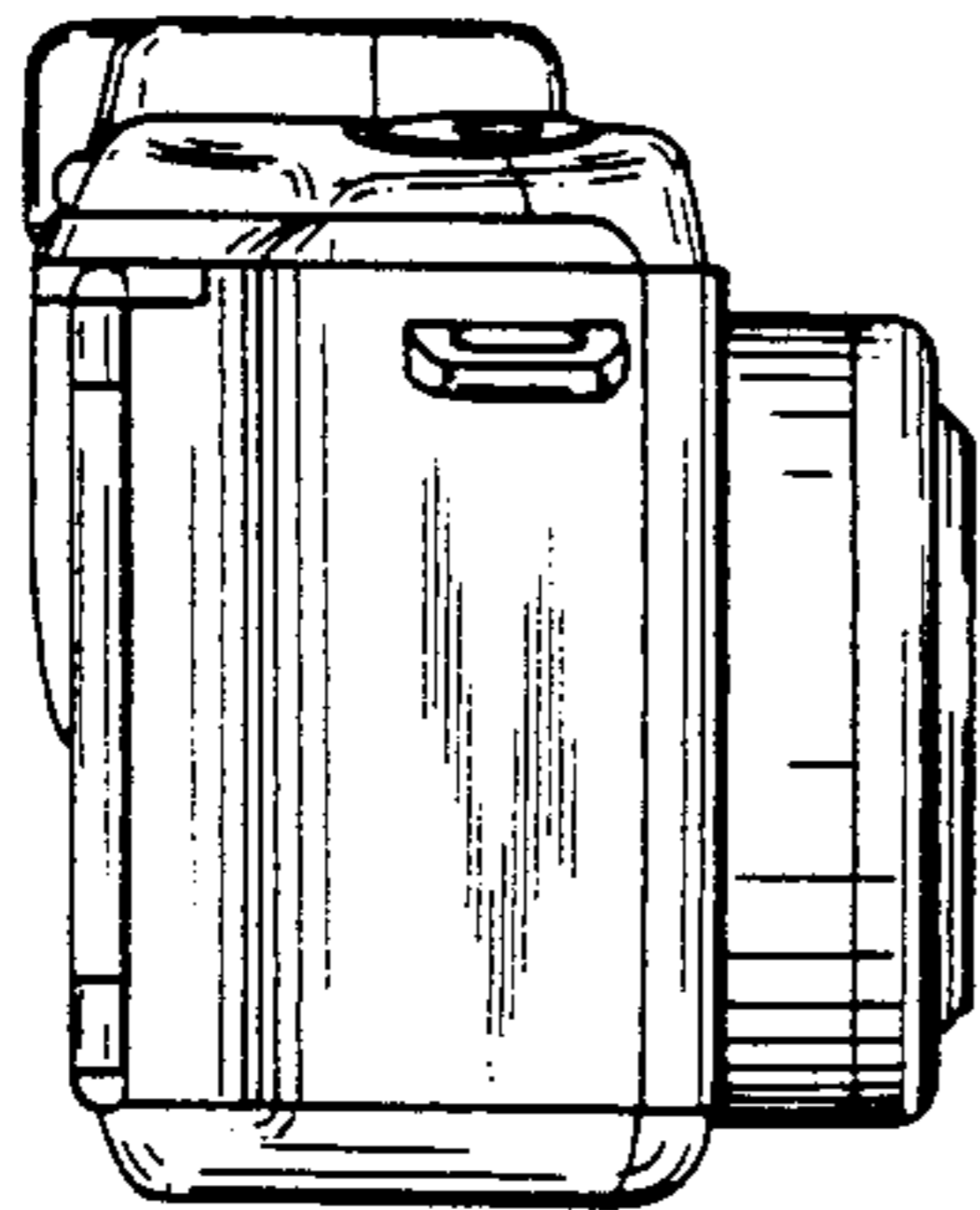


FIG. 6

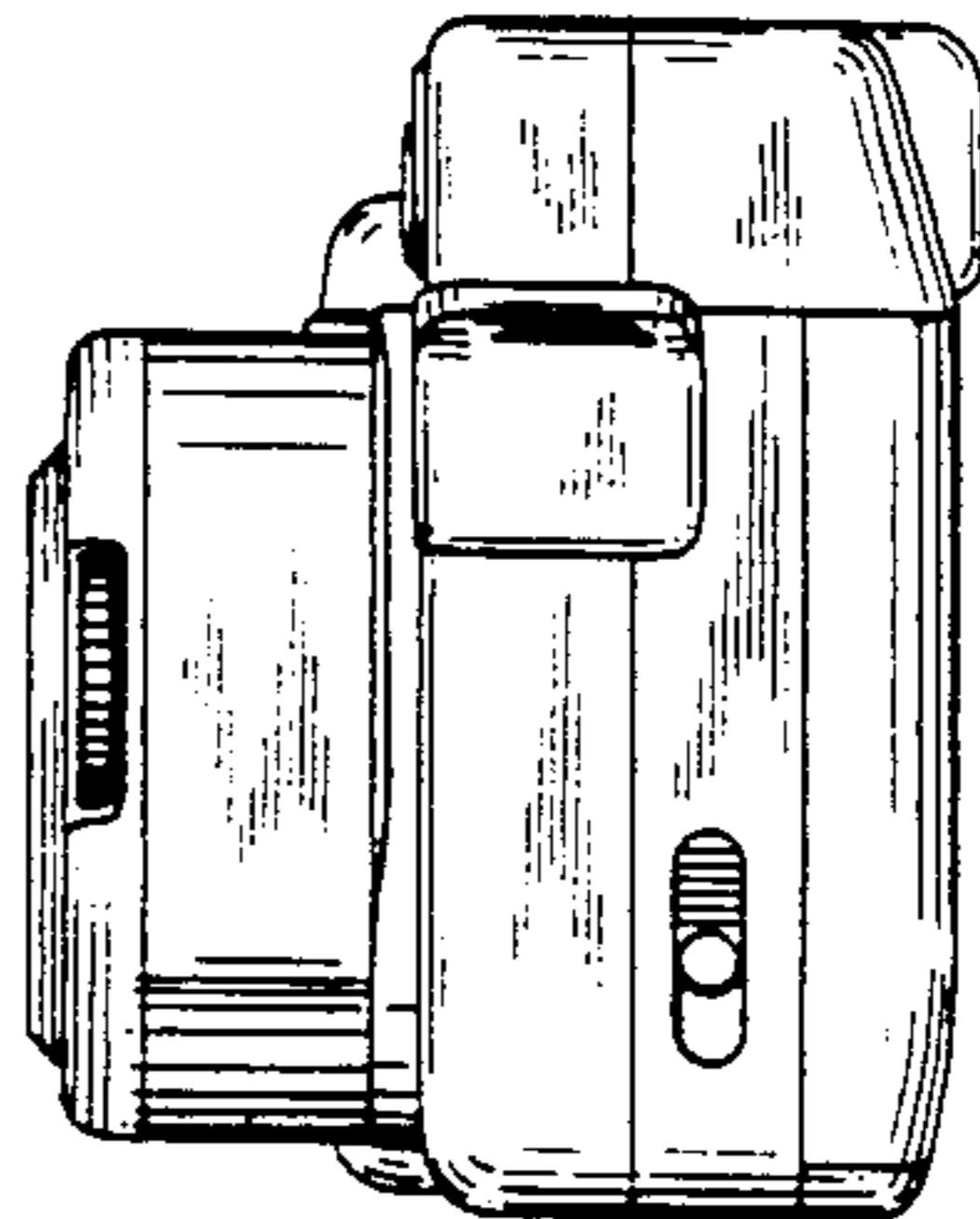


FIG. 7

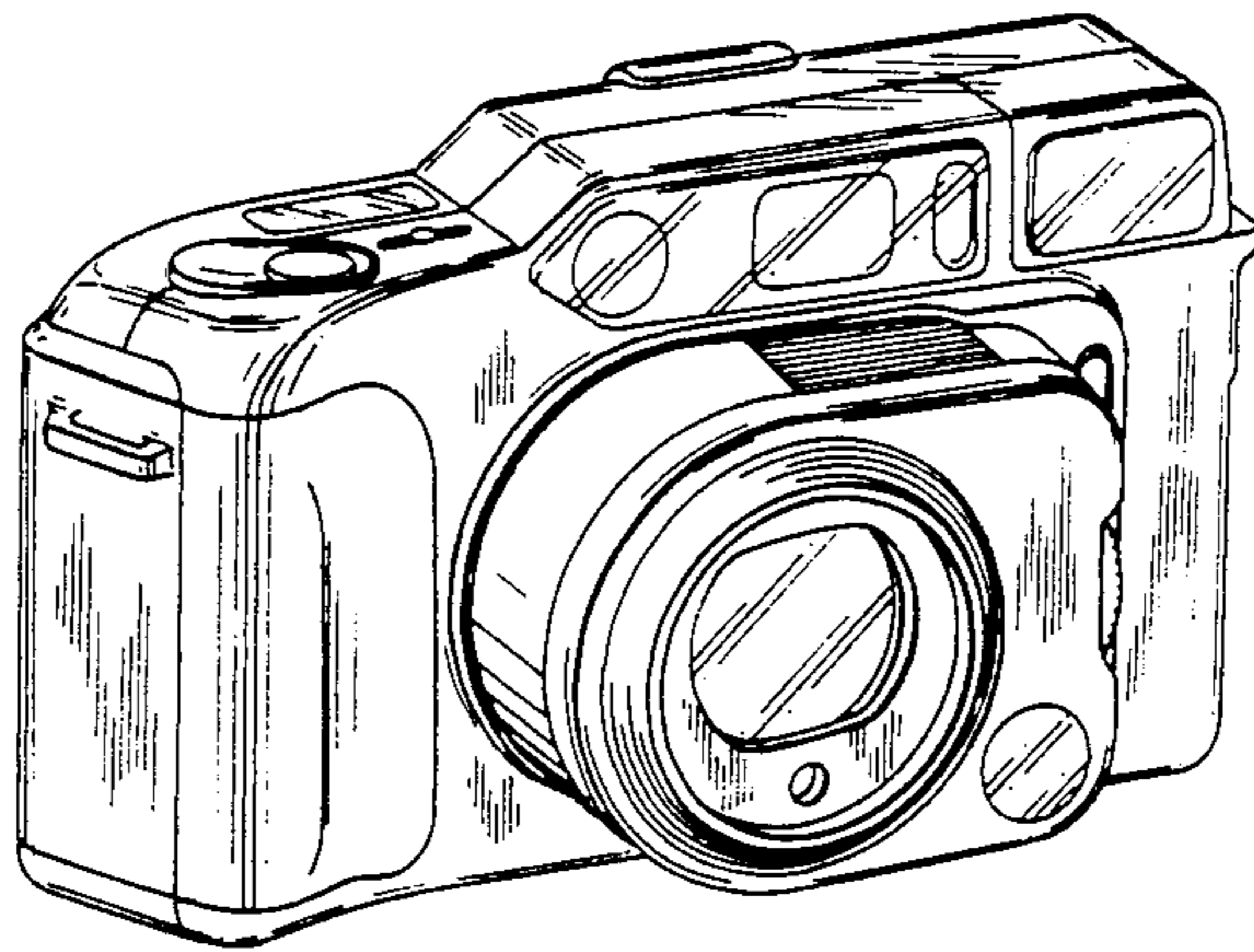


FIG. 8

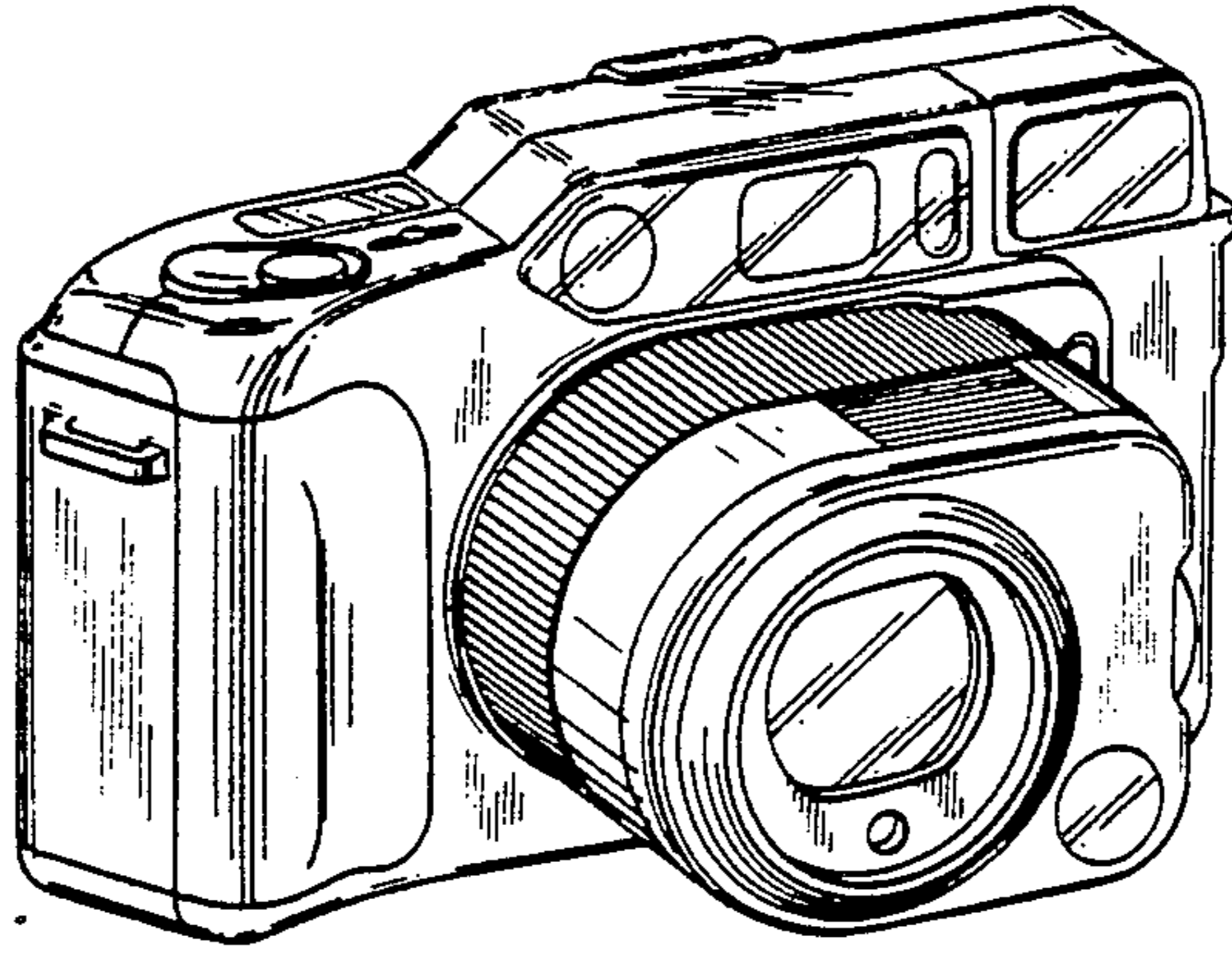


FIG. 9

