

# United States Patent [19]

Cunningham et al.

[11] Patent Number: Des. 293,916

[45] Date of Patent: \*\* Jan. 26, 1988

[54] RIM CLAMP TIRE CHANGER

[75] Inventors: Charles L. Cunningham, Nashville;  
Robert E. Gwaltney, Brentwood,  
both of Tenn.

[73] Assignee: Hennessy Industries, Inc., LaVergne,  
Tenn.

[\*\*] Term: 14 Years

[21] Appl. No.: 806,843

[22] Filed: Nov. 27, 1985

[52] U.S. Cl. .... D15/199

[58] Field of Search ..... D15/199; 157/1.22, 1.24

[56] References Cited

### U.S. PATENT DOCUMENTS

D. 213,914 4/1969 Simpkins ..... D15/199  
D. 244,599 6/1977 Cunningham et al. .... D15/199

D. 269,879 7/1983 Holladay et al. .... D15/199  
3,791,434 2/1974 Dugesne ..... 157/1.24  
3,891,019 6/1975 Holladay et al. .... 157/1.24  
4,417,614 11/1983 Cunningham et al. .... 157/1.24

Primary Examiner—B. J. Bullock

Attorney, Agent, or Firm—Neuman, Williams, Anderson  
& Olson

[57] CLAIM

The ornamental design for a rim clamp tire changer, as shown and described.

### DESCRIPTION

FIG. 1 is a perspective view of a rim clamp tire changer showing our new design;

FIG. 2 is a front view thereof;

FIG. 3 is a left side view thereof;

FIG. 4 is a rear view thereof;

FIG. 5 is a right side view thereof; and

FIG. 6 is a top view thereof.

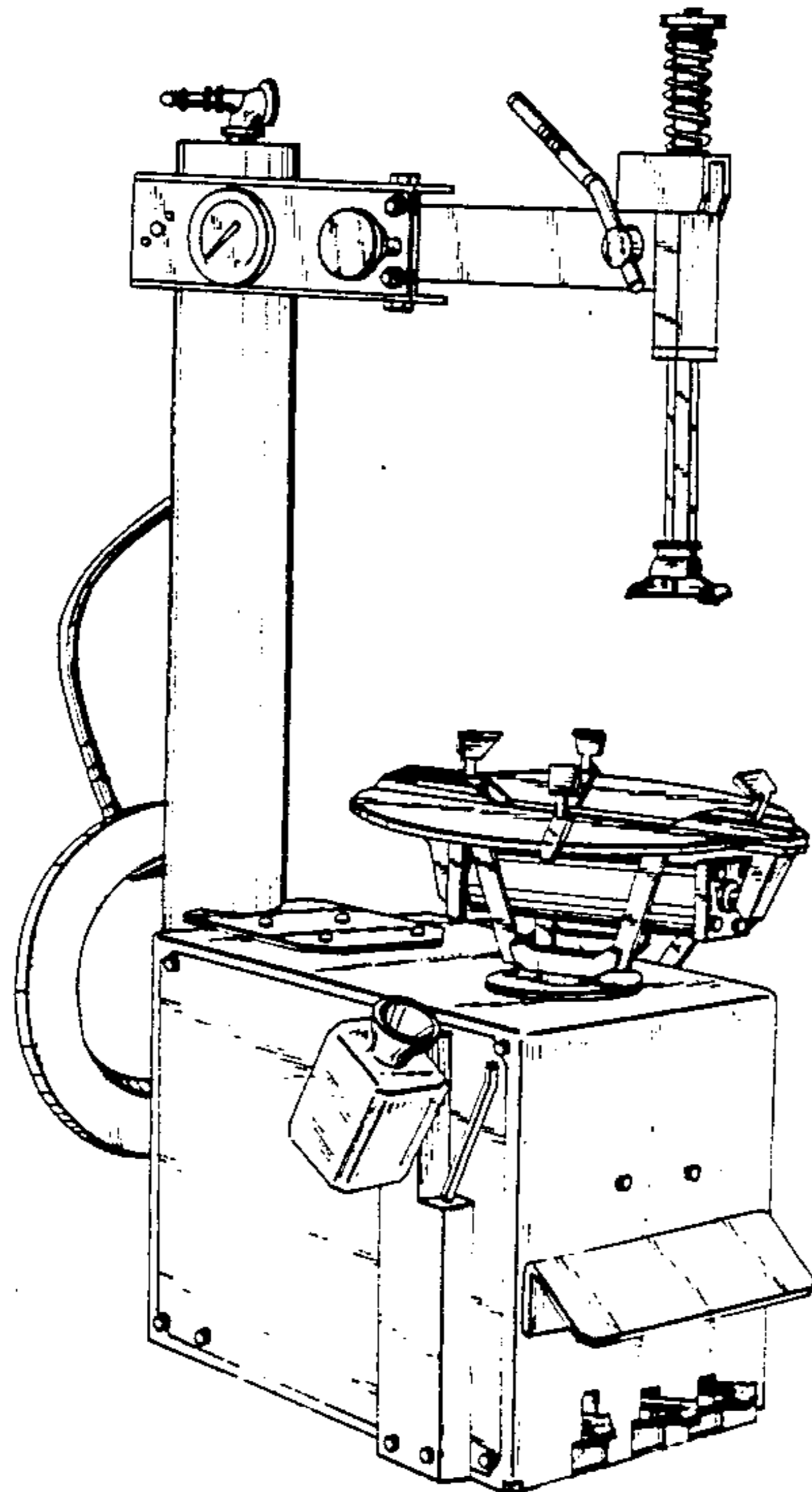


FIG. 1

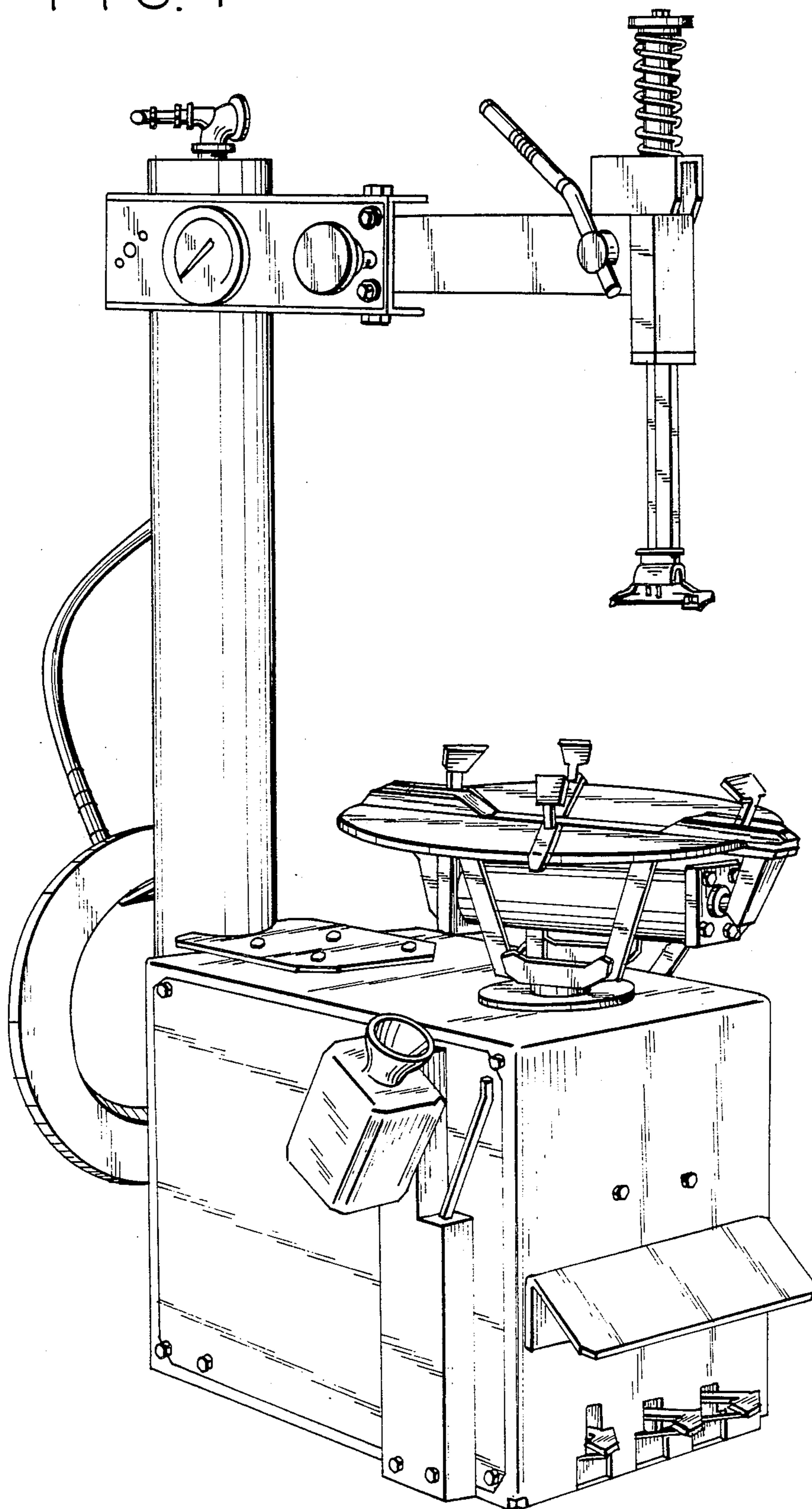


FIG. 2

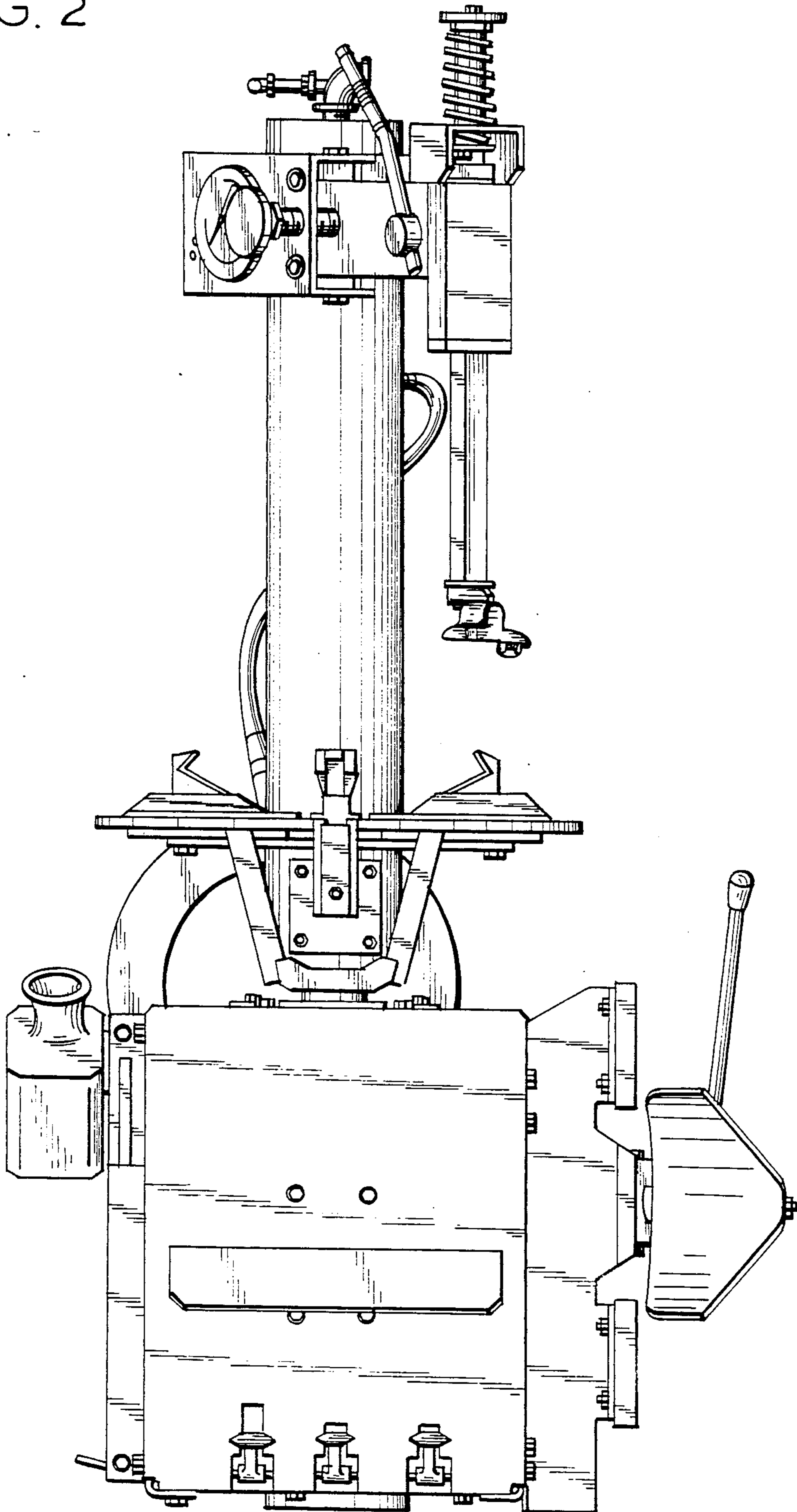


FIG. 3

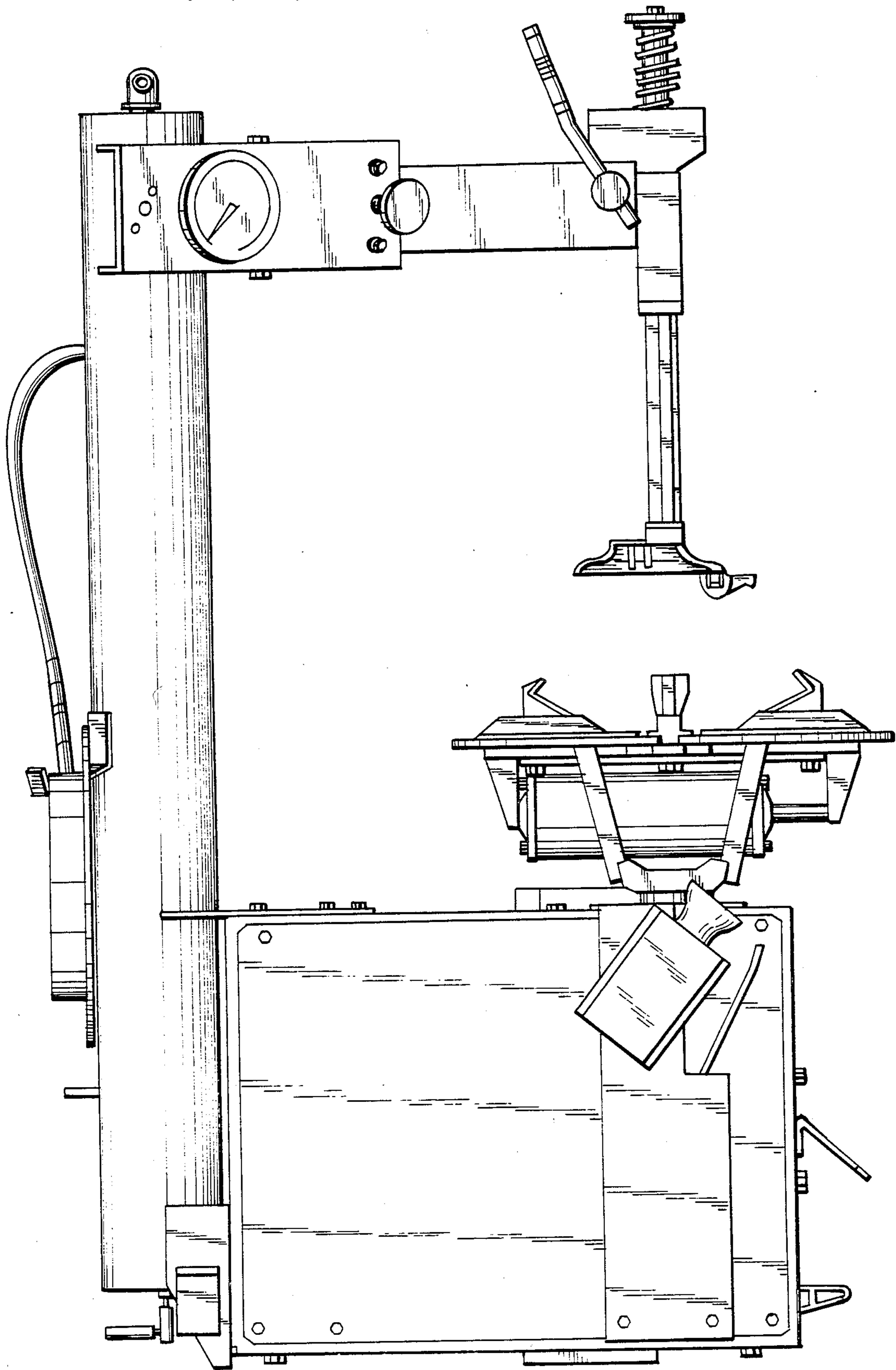




FIG. 4

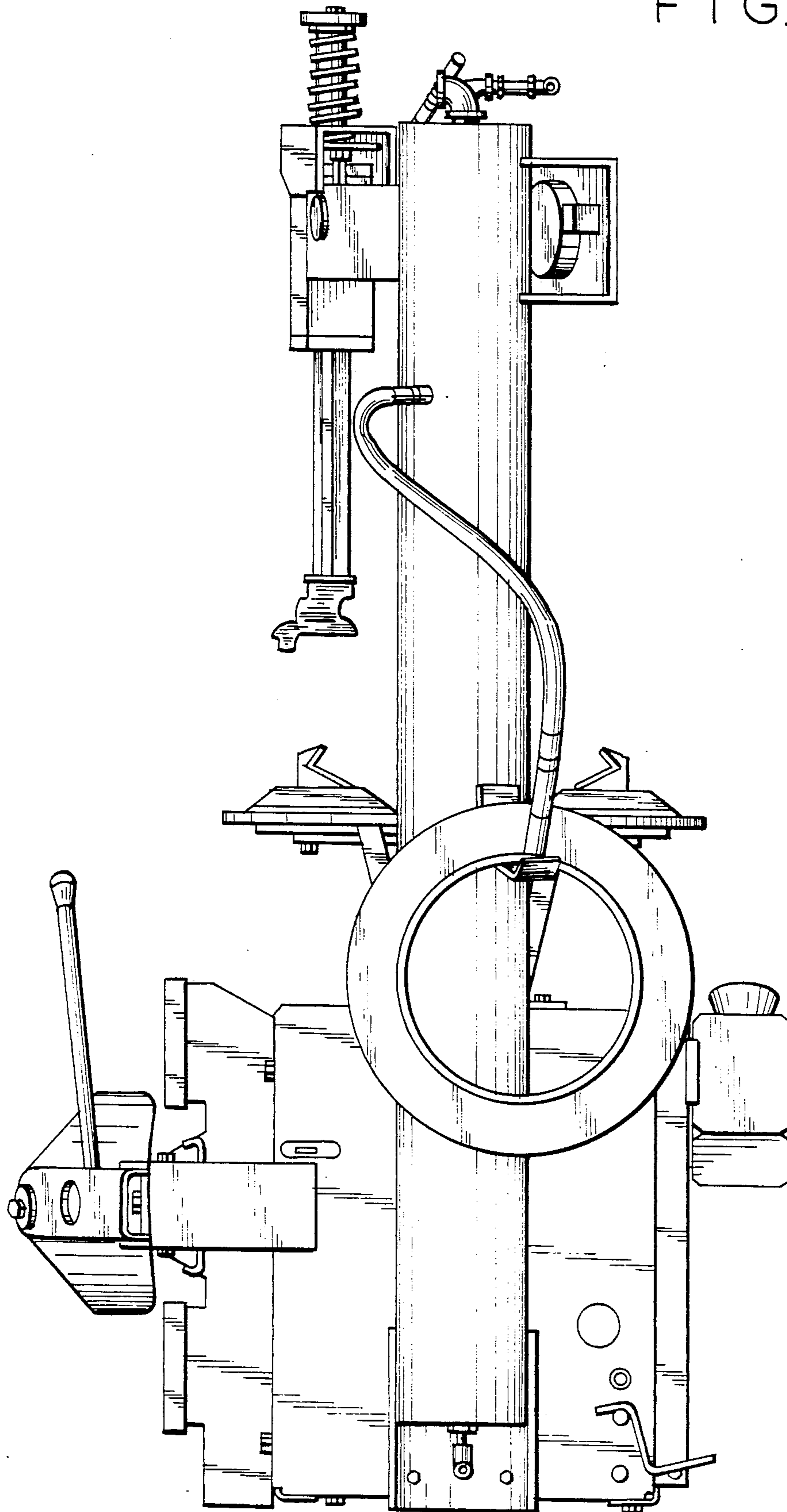


FIG. 5

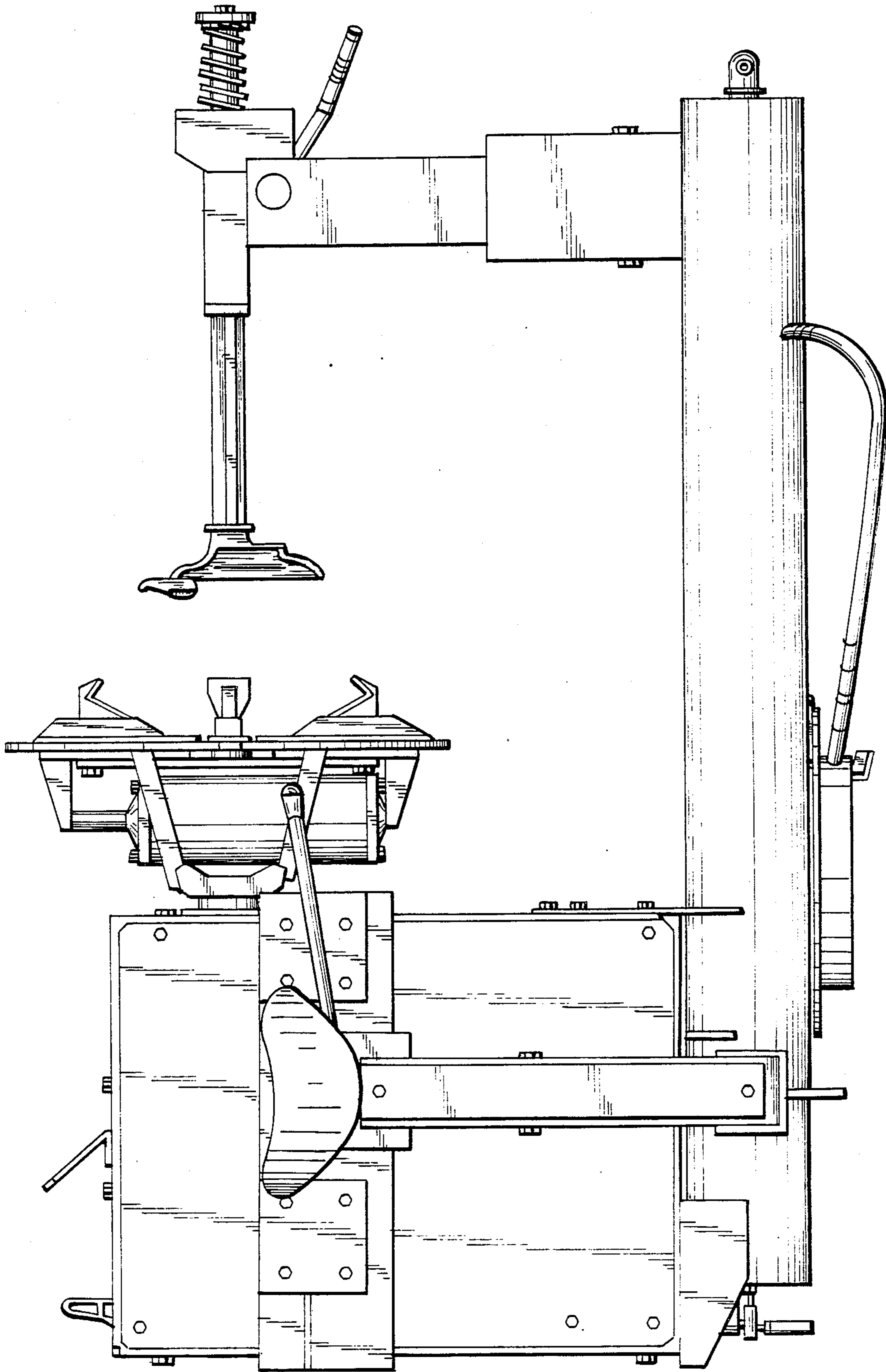


FIG. 6

