

[54] SHEARING MACHINE

[75] Inventor: Tadashi Hirata, Kanagawa, Japan

[73] Assignee: Amada Company, Limited, Japan

[\*\*] Term: 14 Years

[21] Appl. No.: 716,159

[22] Filed: Mar. 26, 1985

[52] U.S. Cl. .... D15/129

[58] Field of Search ..... D15/129; 83/435.2, 437, 83/613, 618, 640, 412, 599, 648

[56] References Cited

U.S. PATENT DOCUMENTS

D. 233,065	10/1974	Roch	.....	D15/129
3,691,887	9/1972	Roch	.....	83/639
3,706,251	12/1972	Wheeler et al.	.....	83/640
3,892,155	7/1975	Gerlach	.....	83/640
4,205,604	6/1980	Ashley	.....	83/437
4,507,997	4/1985	Ikeda	.....	83/640

Primary Examiner—B. J. Bullock

Attorney, Agent, or Firm—Wigman & Cohen

[57] CLAIM

The ornamental design for a shearing machine, as shown and described.

DESCRIPTION

FIG. 1 is a top plan view of a shearing machine showing my new design;  
 FIG. 2 is a front elevational view thereof;  
 FIG. 3 is a perspective view thereof;  
 FIG. 4 is a bottom plan view thereof;  
 FIG. 5 is a right side elevational view thereof;  
 FIG. 6 is a left side elevational view thereof;  
 FIG. 7 is a rear elevational view thereof;  
 FIG. 8 is a top plan view of a second embodiment of the design of FIG. 1;  
 FIG. 9 is a front elevational view of FIG. 8;  
 FIG. 10 is a perspective view of FIG. 8;  
 FIG. 11 is a bottom plan view of FIG. 8;  
 FIG. 12 is a right side elevational view of FIG. 8;  
 FIG. 13 is a left side elevational view of FIG. 8;  
 FIG. 14 is a rear elevational view of FIG. 8.

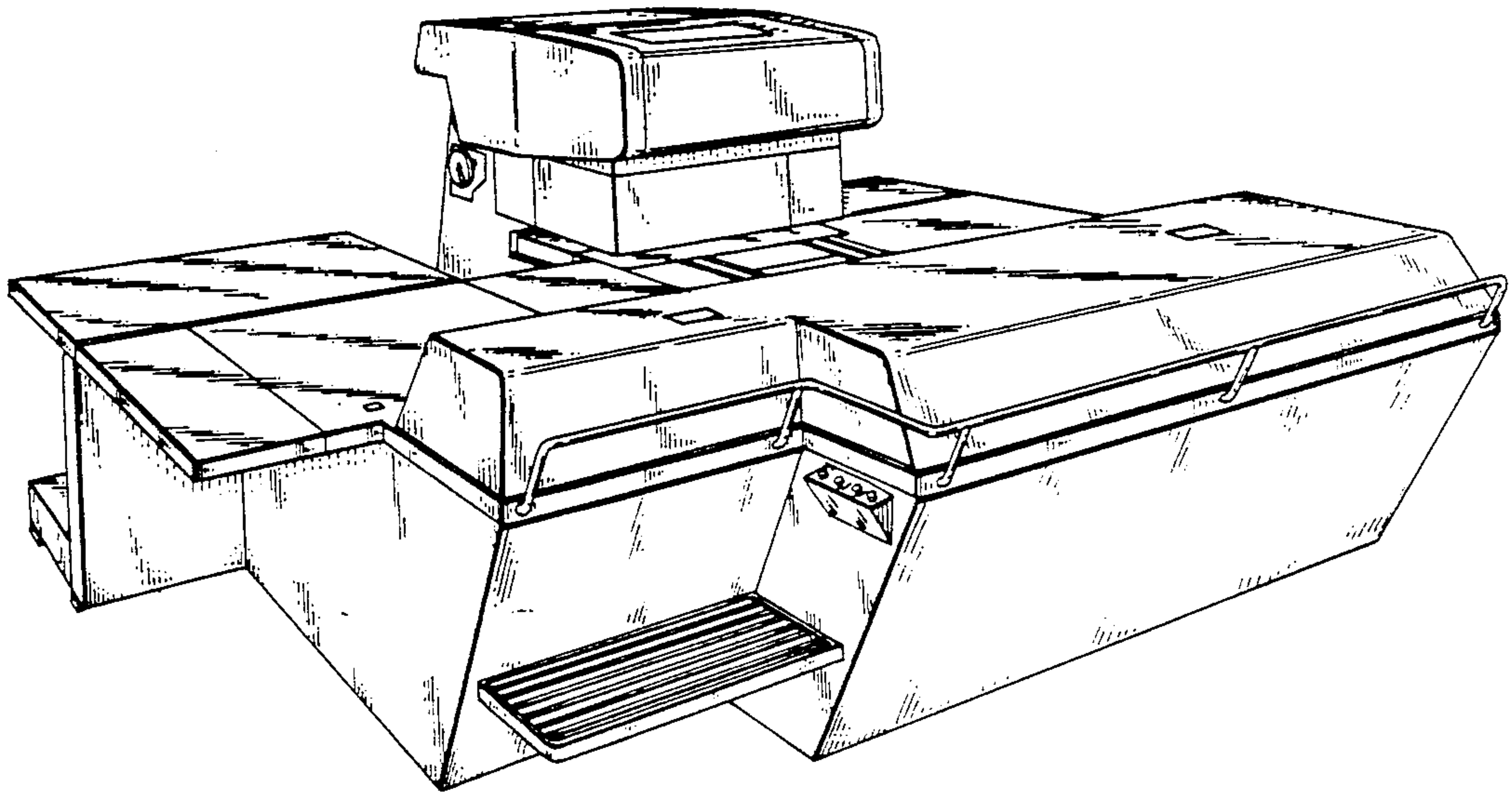


FIG. 1

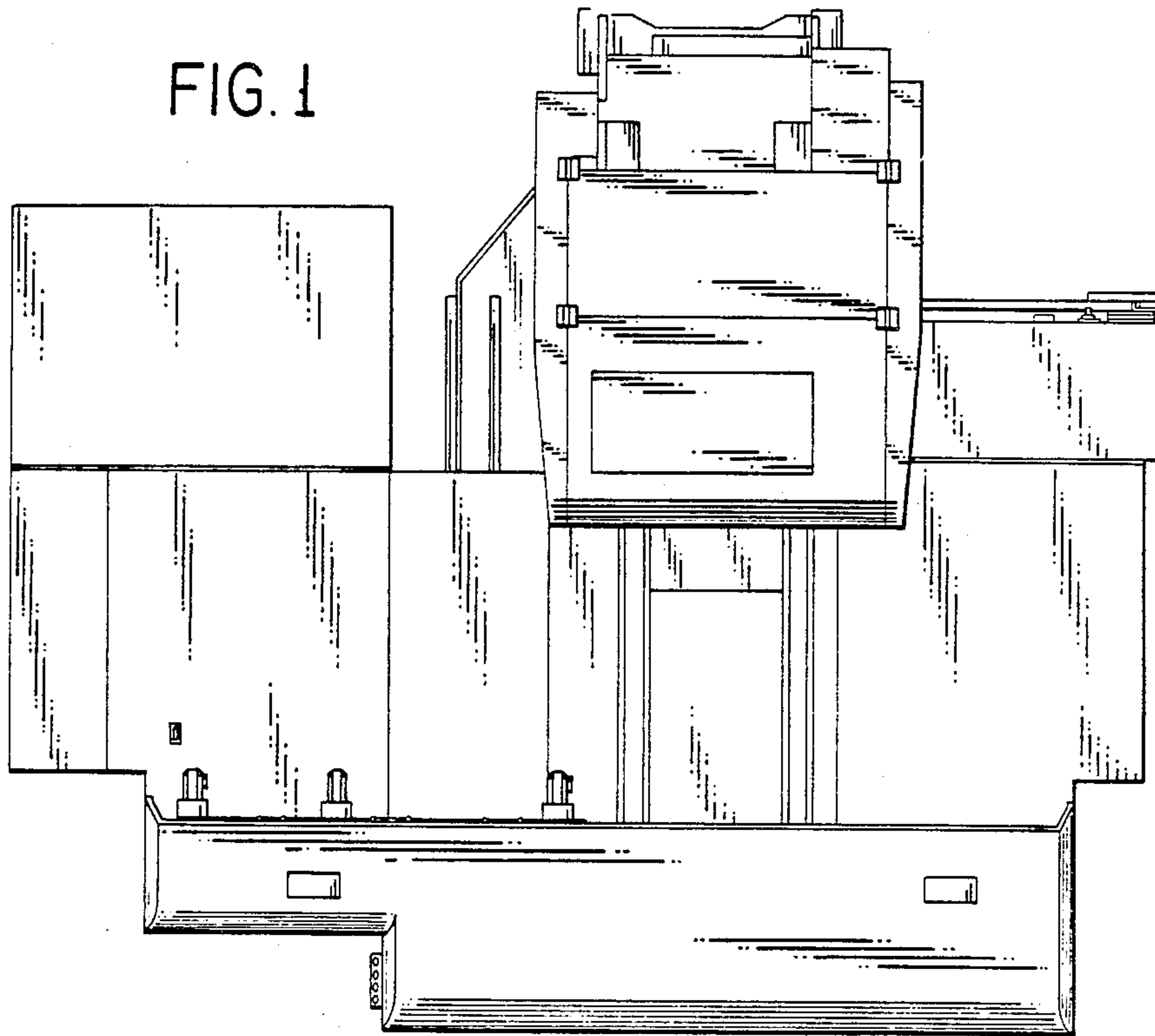


FIG. 2

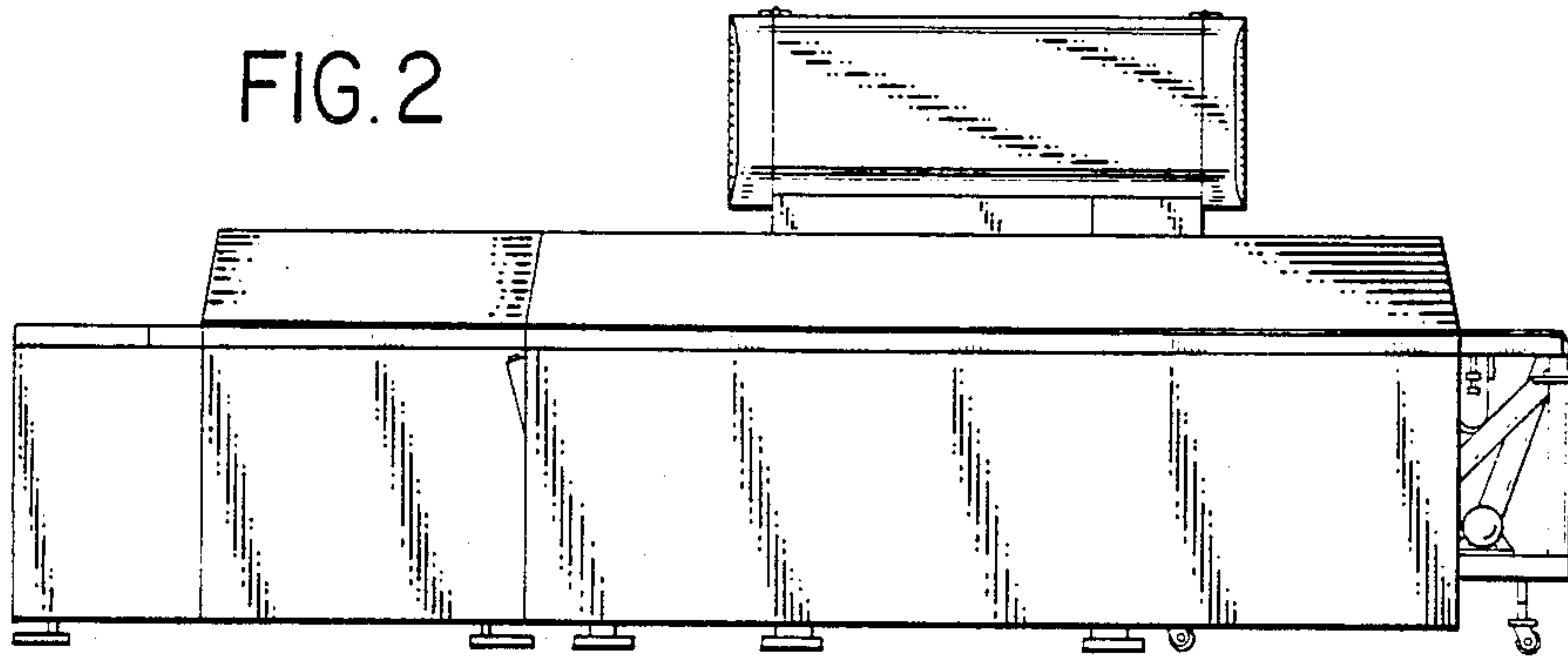


FIG. 3

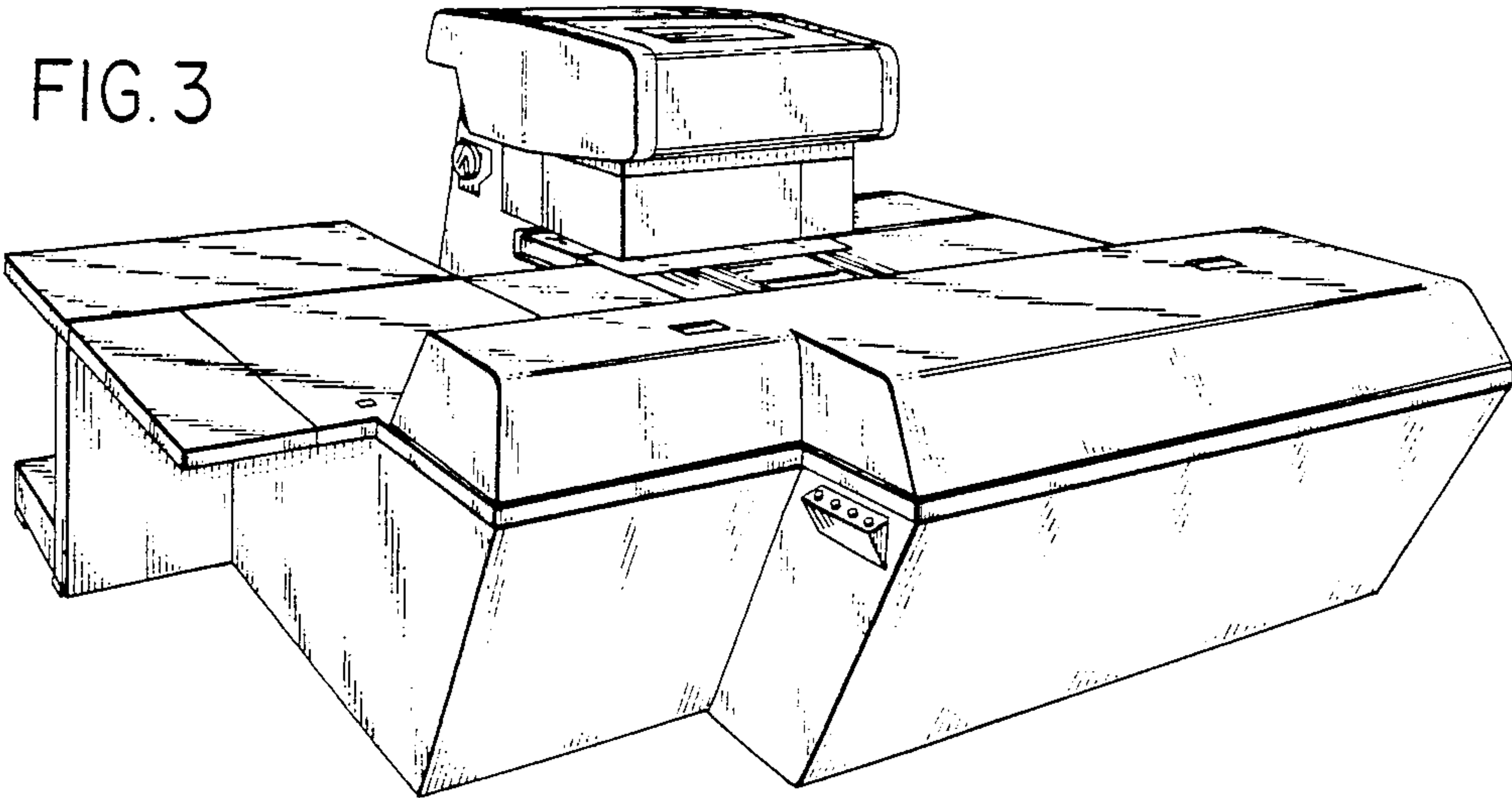


FIG. 4

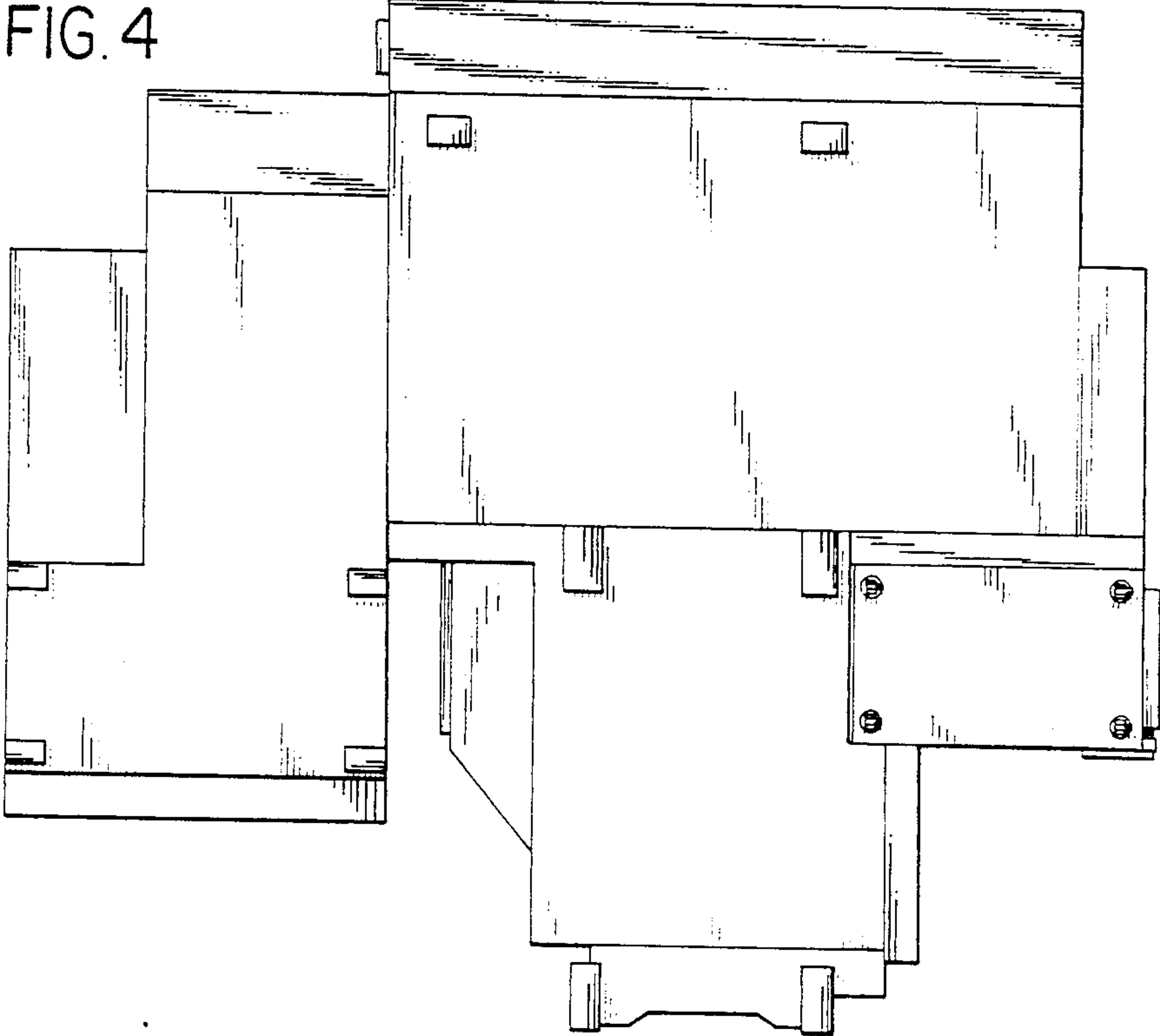


FIG. 5

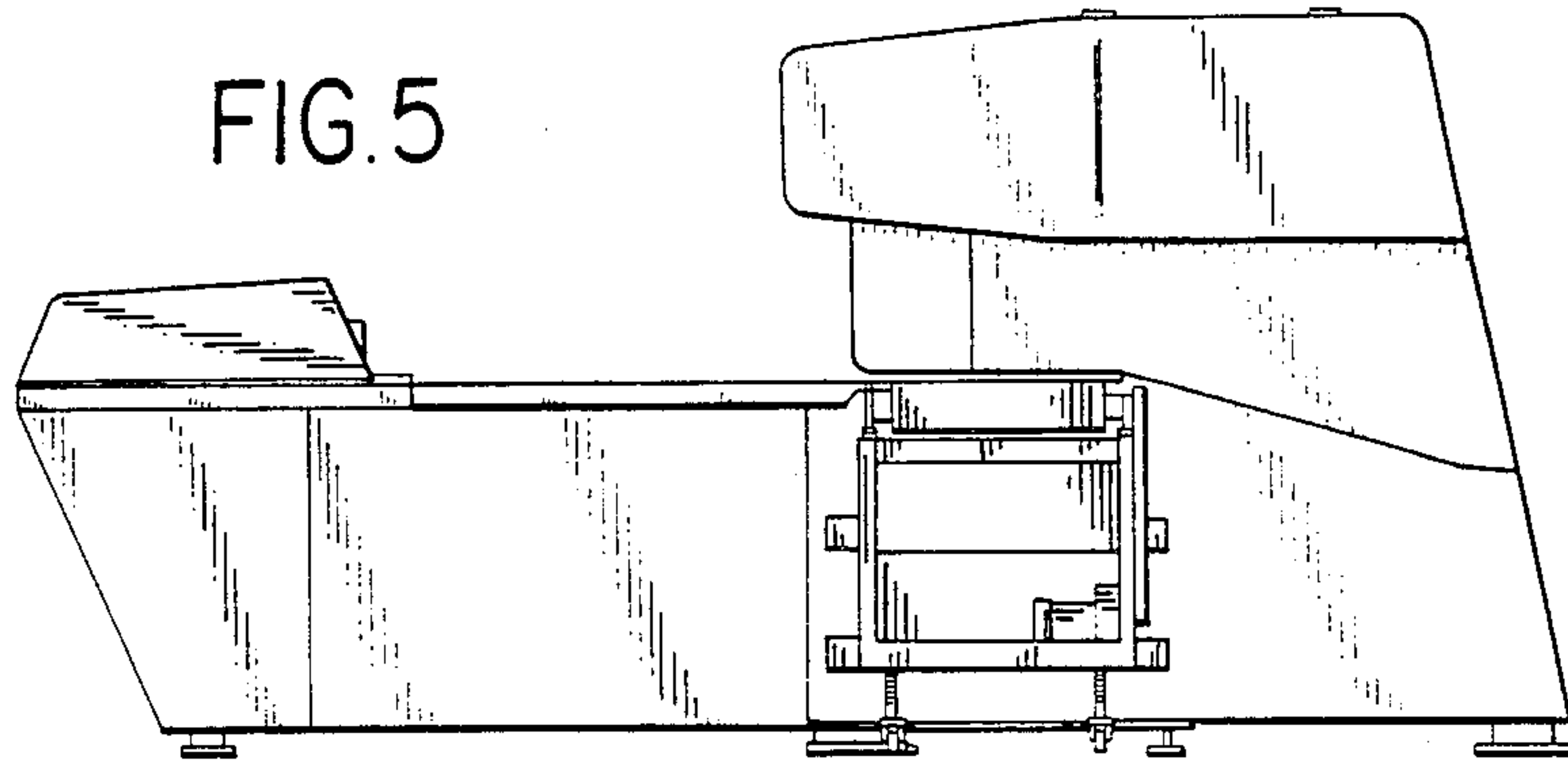


FIG. 6

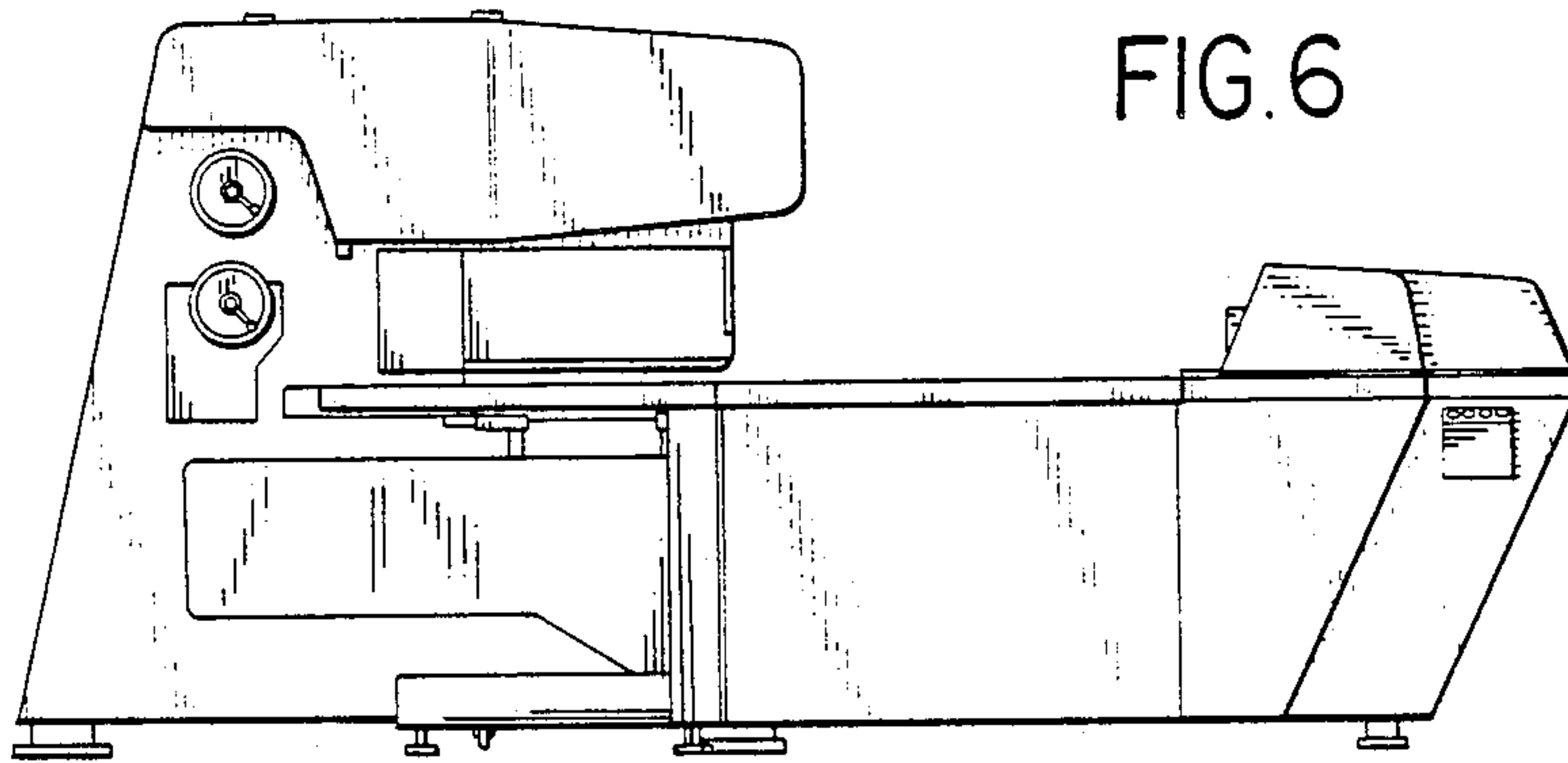


FIG. 7

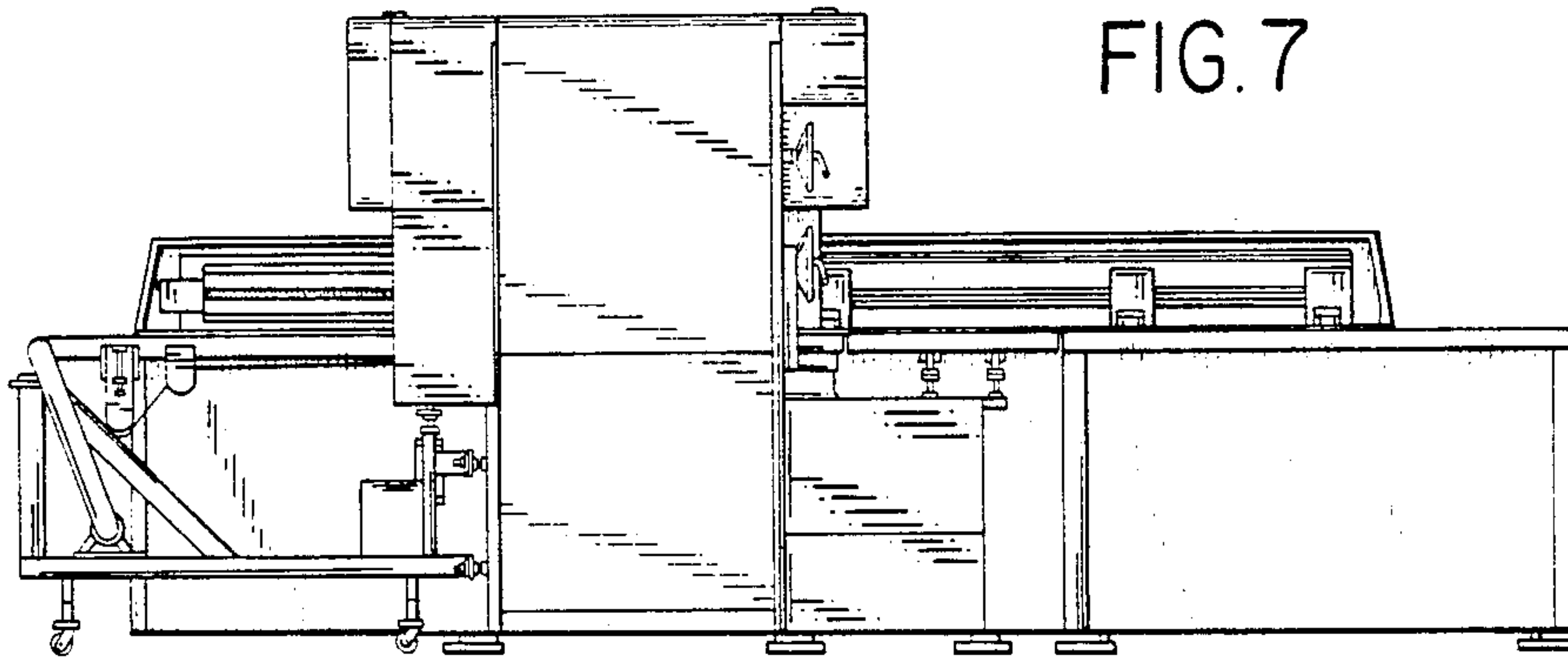


FIG. 8

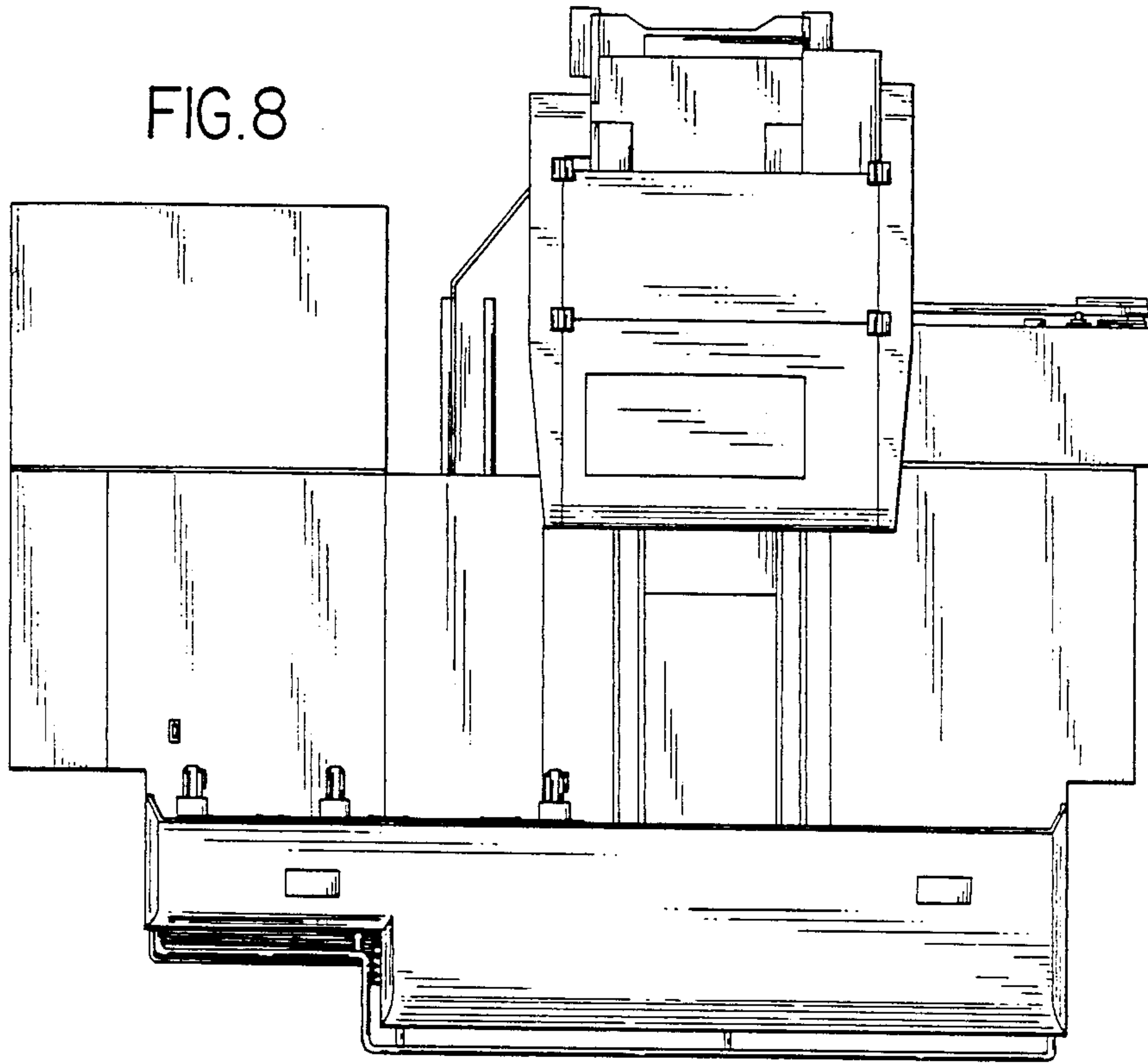


FIG. 9

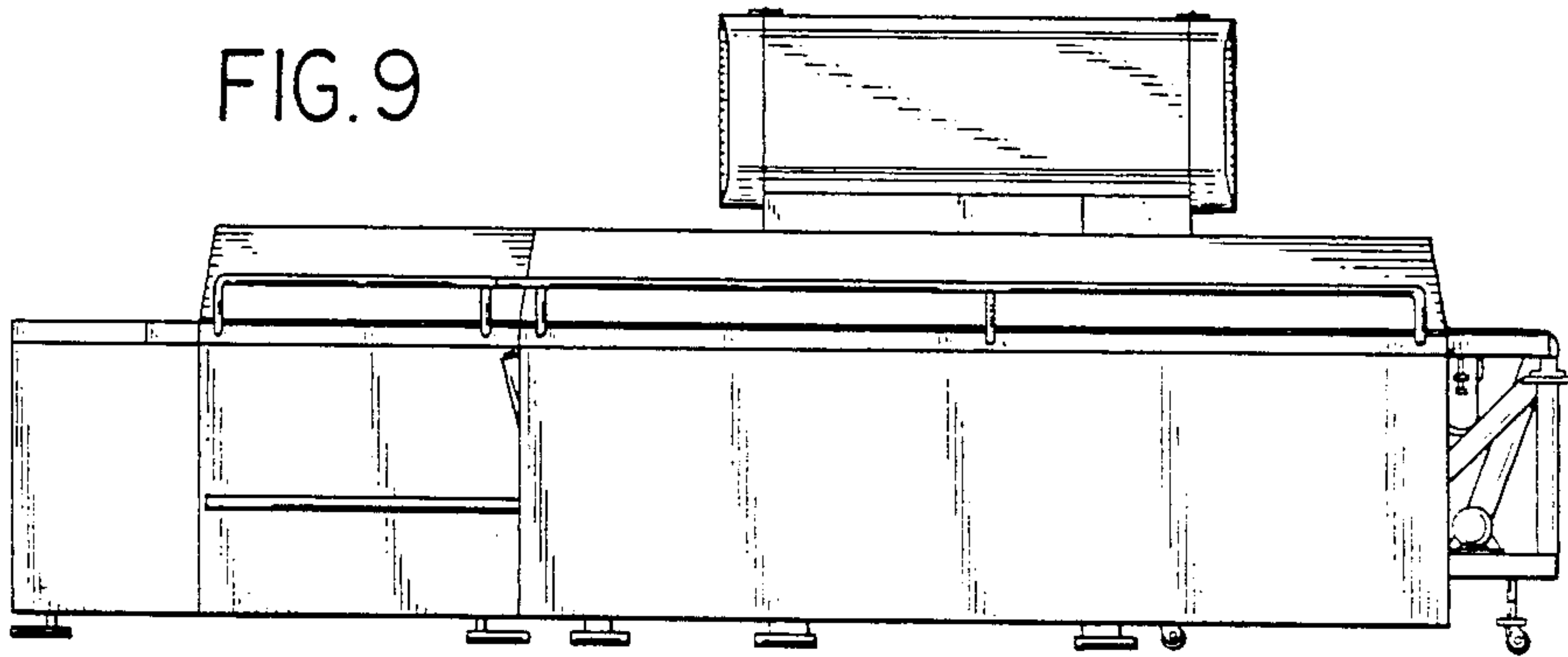




FIG. 10

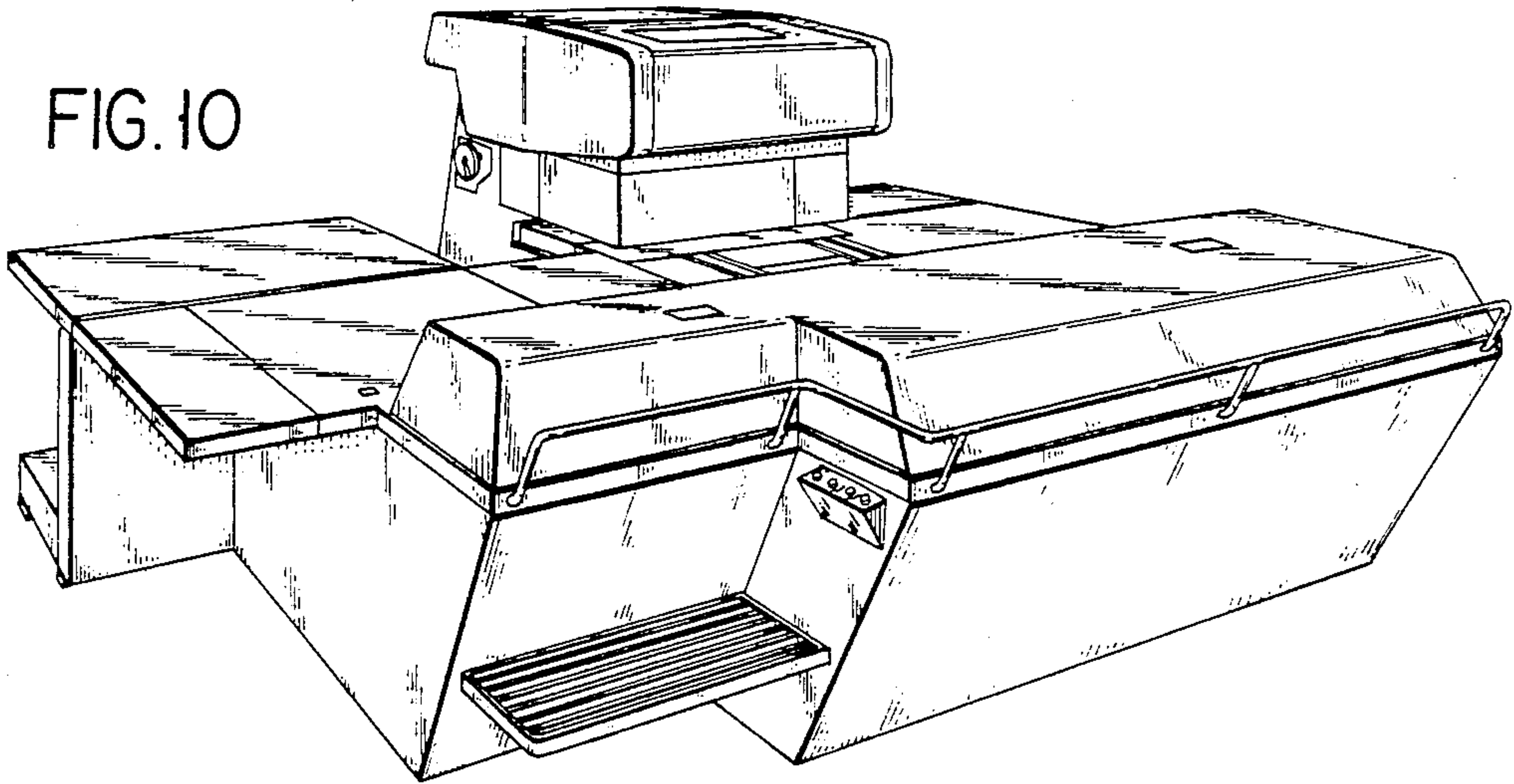


FIG. 11

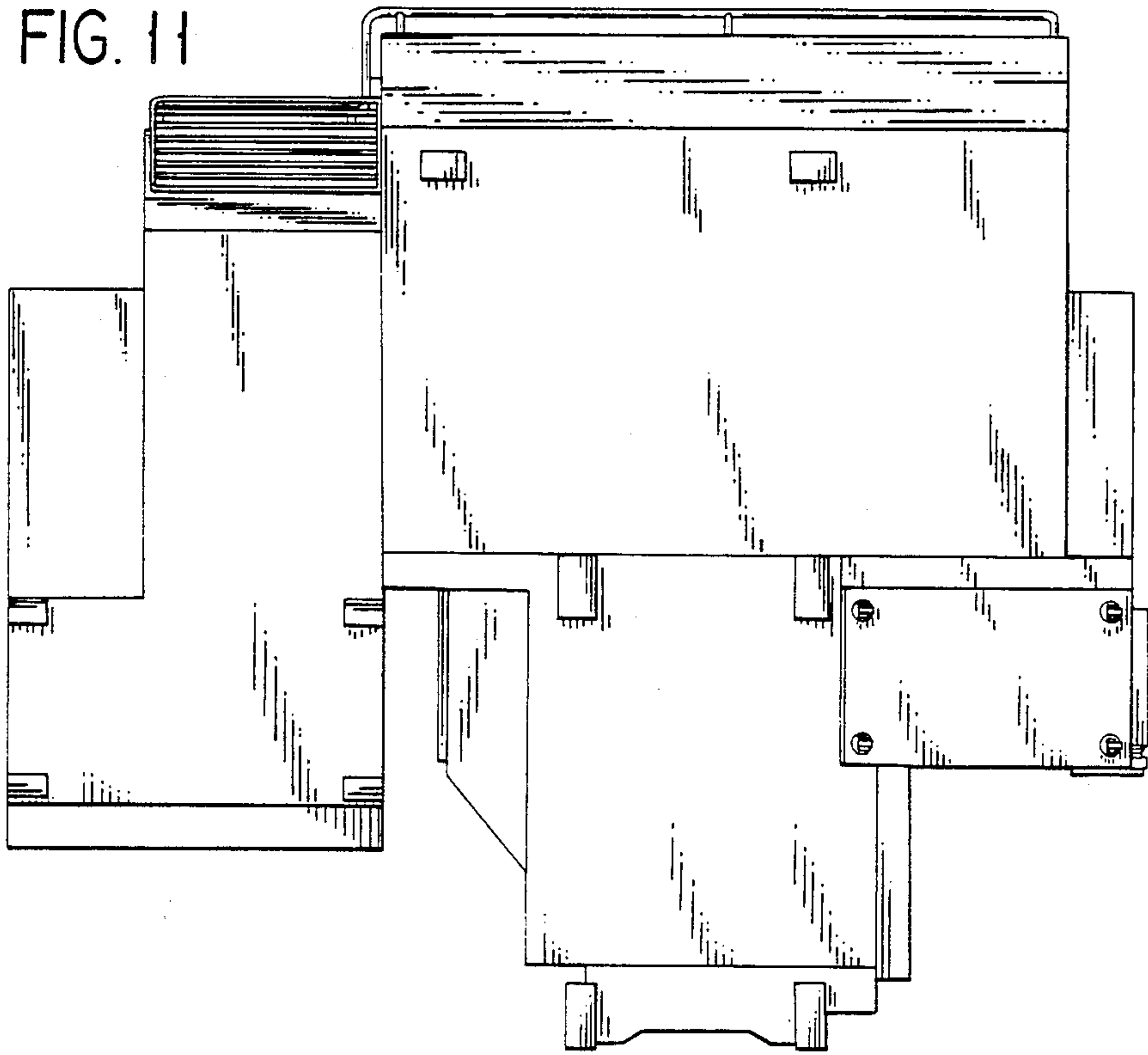


FIG. 12

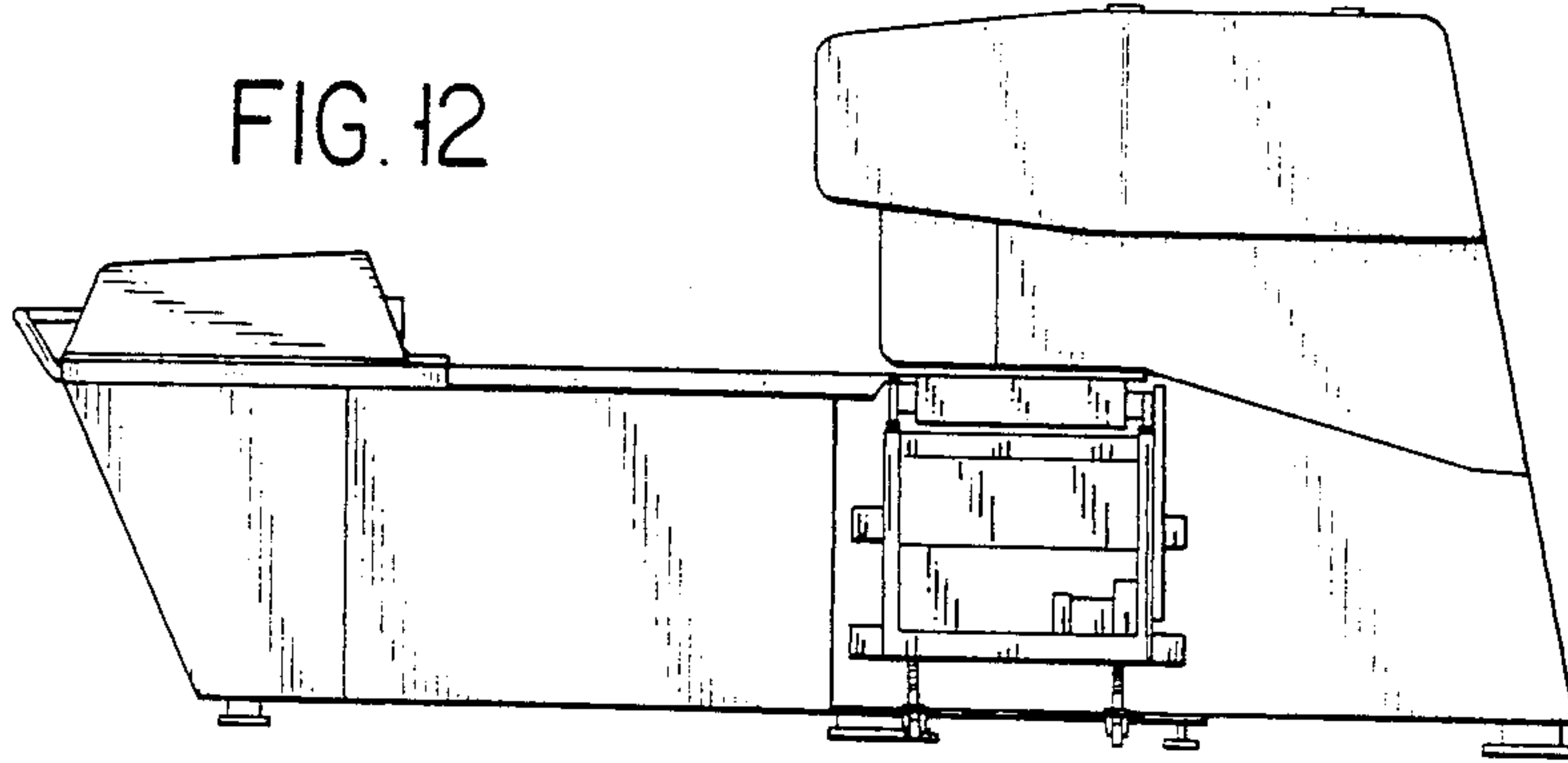


FIG. 13

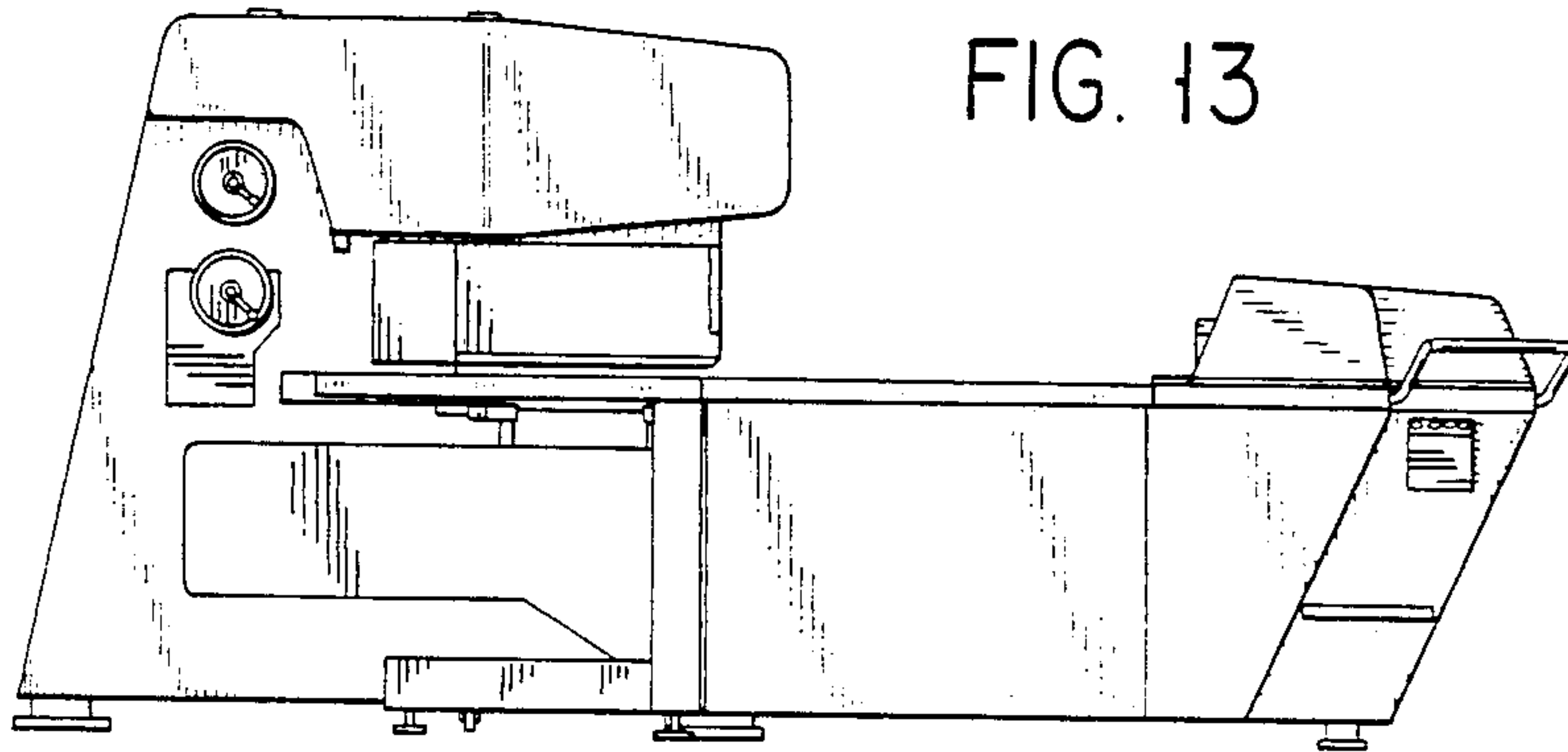


FIG. 14

