

# United States Patent [19]

Hudson

[11] Patent Number: Des. 293,914

[45] Date of Patent: \*\* Jan. 26, 1988

[54] TOOL HOLDER FOR A CARVING BIT  
[76] Inventor: Virgil E. Hudson, 940 Fairview, Box 605, Blossom, Tex. 75416

[\*\*] Term: 14 Years

[21] Appl. No.: 729,670

[22] Filed: May 2, 1985

[52] U.S. Cl. .... D15/139

[58] Field of Search ..... D15/127, 138-140;  
144/218, 219, 230, 241; 407/33, 54, 57, 108,  
112, 100; 82/36 R, 36 A, 37, 30; 30/329, 335,  
337, 521; D8/99; 175/410

[56] **References Cited**

**U.S. PATENT DOCUMENTS**

2,621,548 12/1952 Williams ..... 407/54  
2,645,471 7/1953 King ..... 299/79

2,934,113 4/1960 Hollien ..... 144/241  
3,143,177 8/1964 Galorneau et al. .... 299/91  
3,298,254 1/1967 Vassallo ..... 407/113  
4,433,739 2/1984 Sarin ..... 175/410

*Primary Examiner*—Wallace R. Burke  
*Assistant Examiner*—Ruth Takemoto  
*Attorney, Agent, or Firm*—Dennis T. Griggs

[57] **CLAIM**

The ornamental design for a tool holder for a carving bit, as shown and described.

**DESCRIPTION**

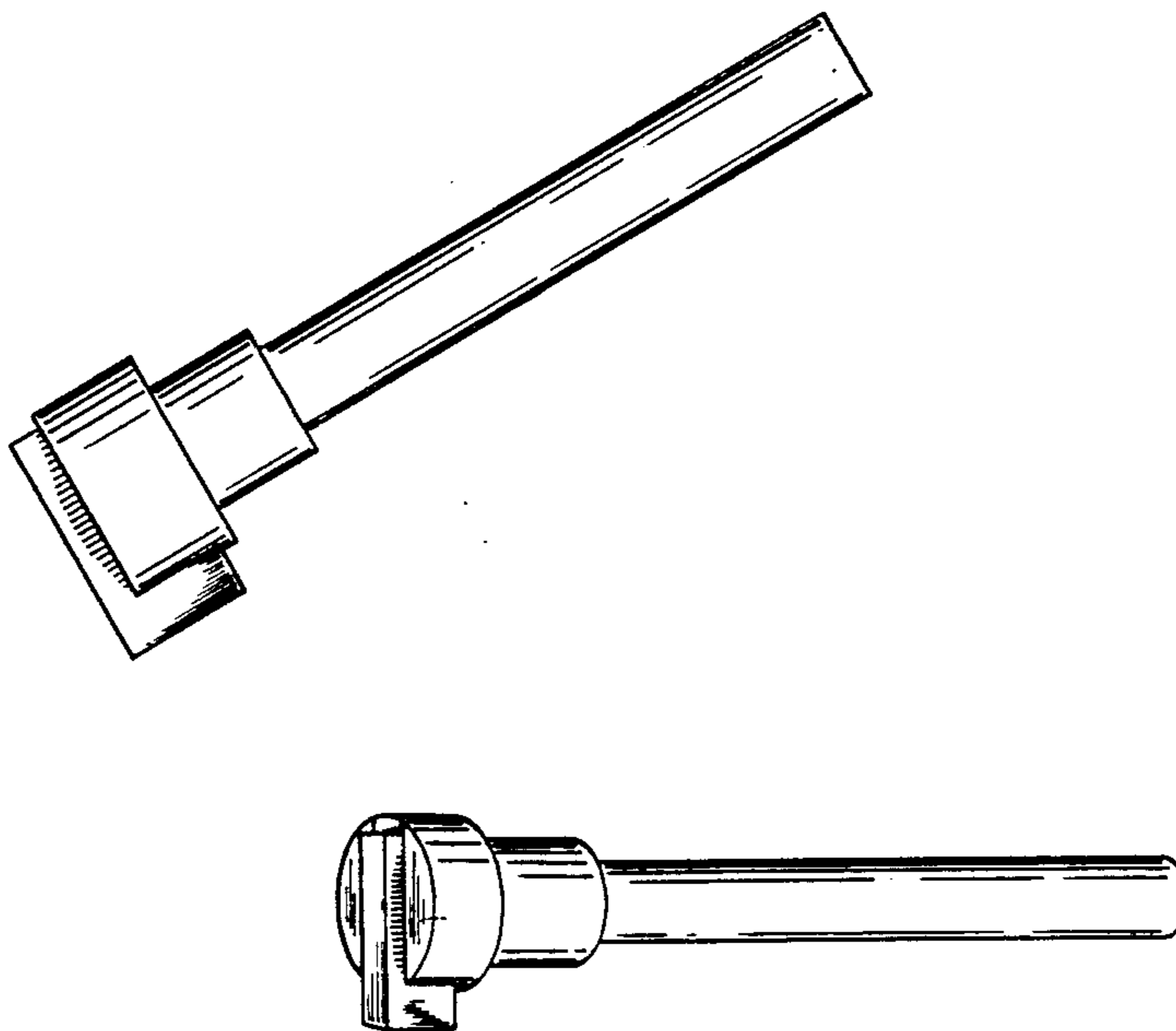
FIG. 1 is a perspective view of a carving bit showing my new design;

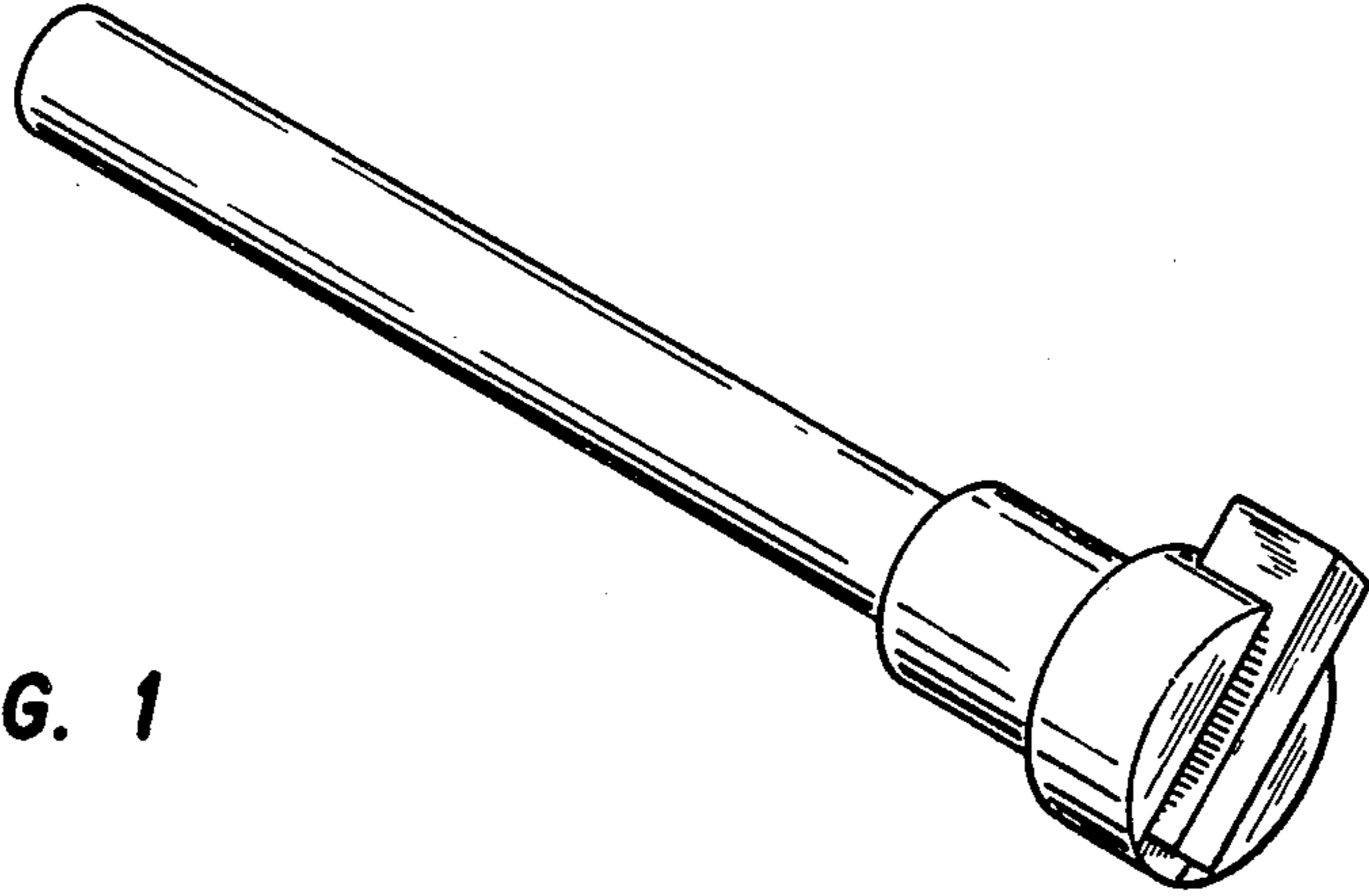
FIG. 2 is a front elevational view thereof;

FIG. 3 is a rear elevational view thereof;

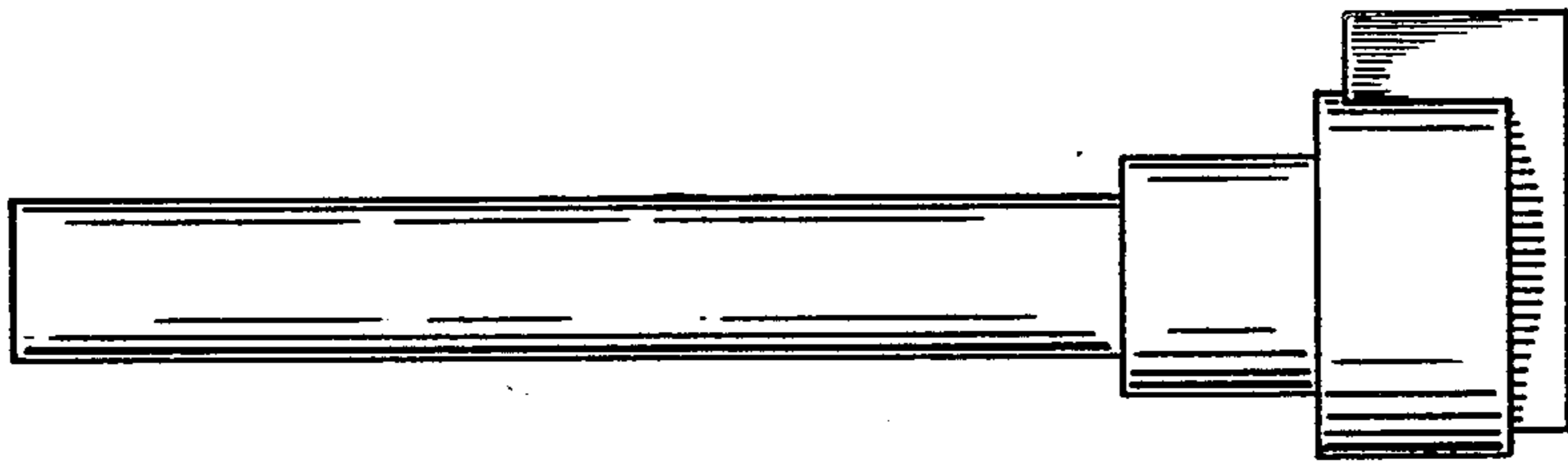
FIG. 4 is a right end elevational view thereof; and

FIG. 5 is a left end elevational view thereof.

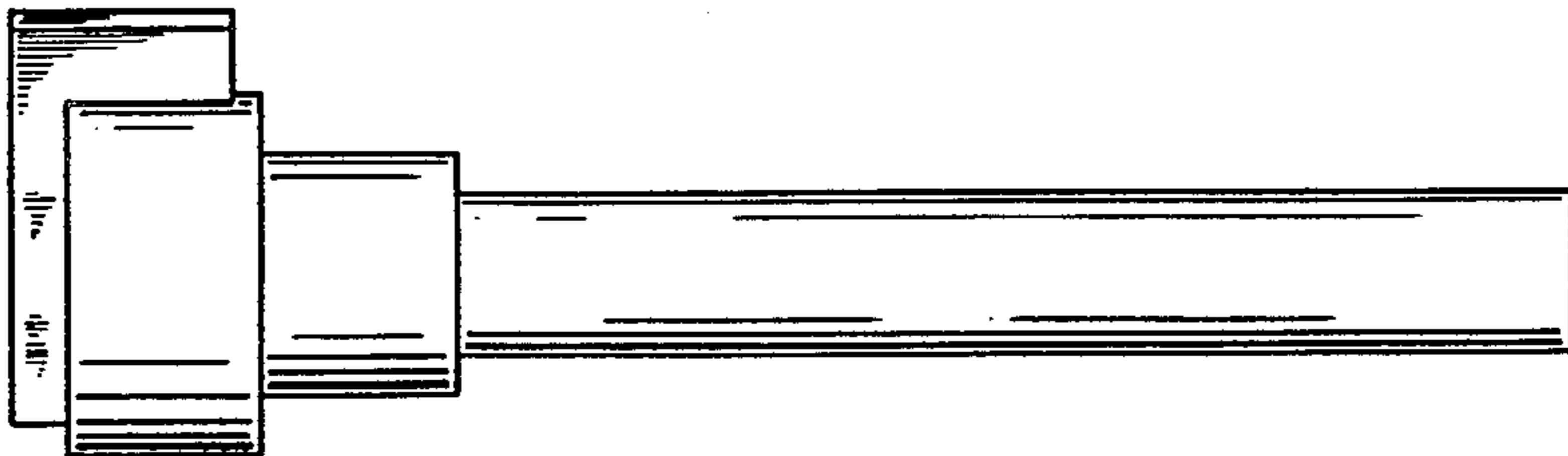




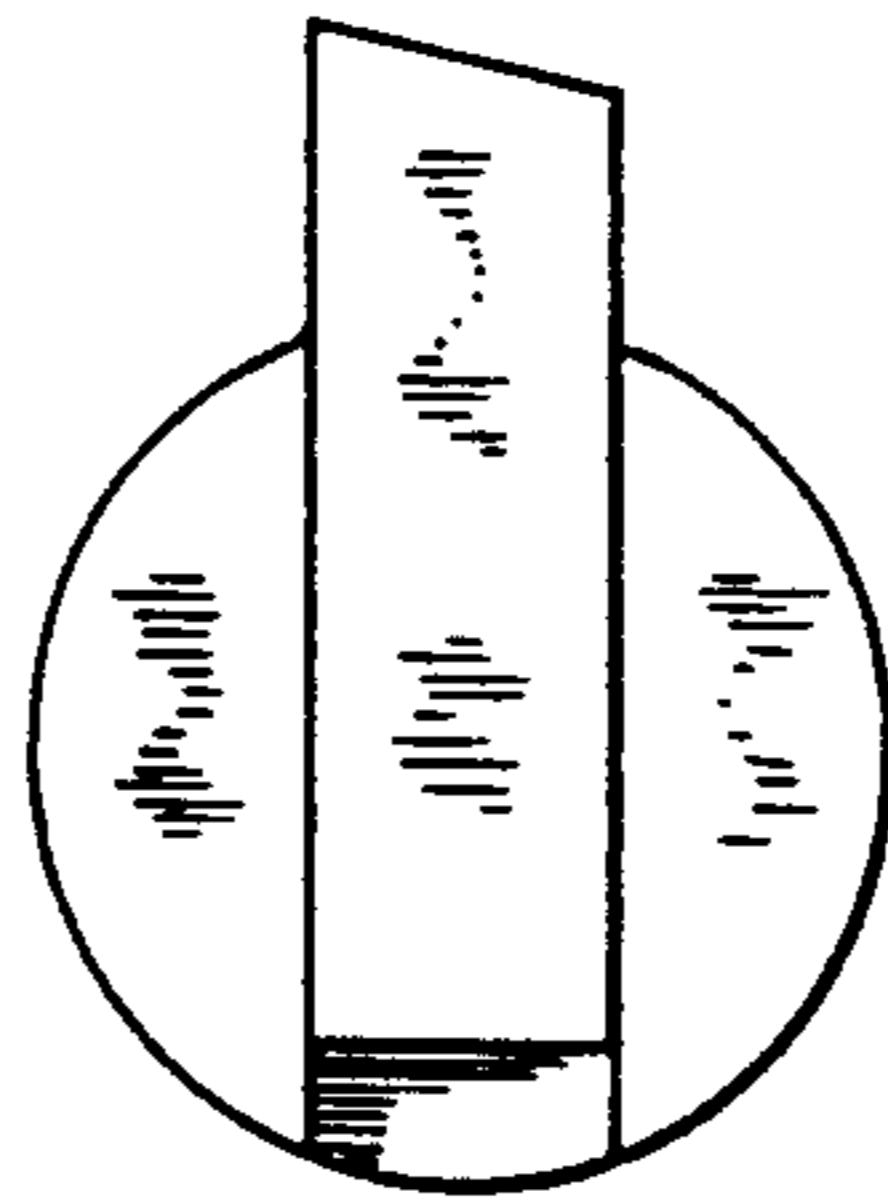
**FIG. 1**



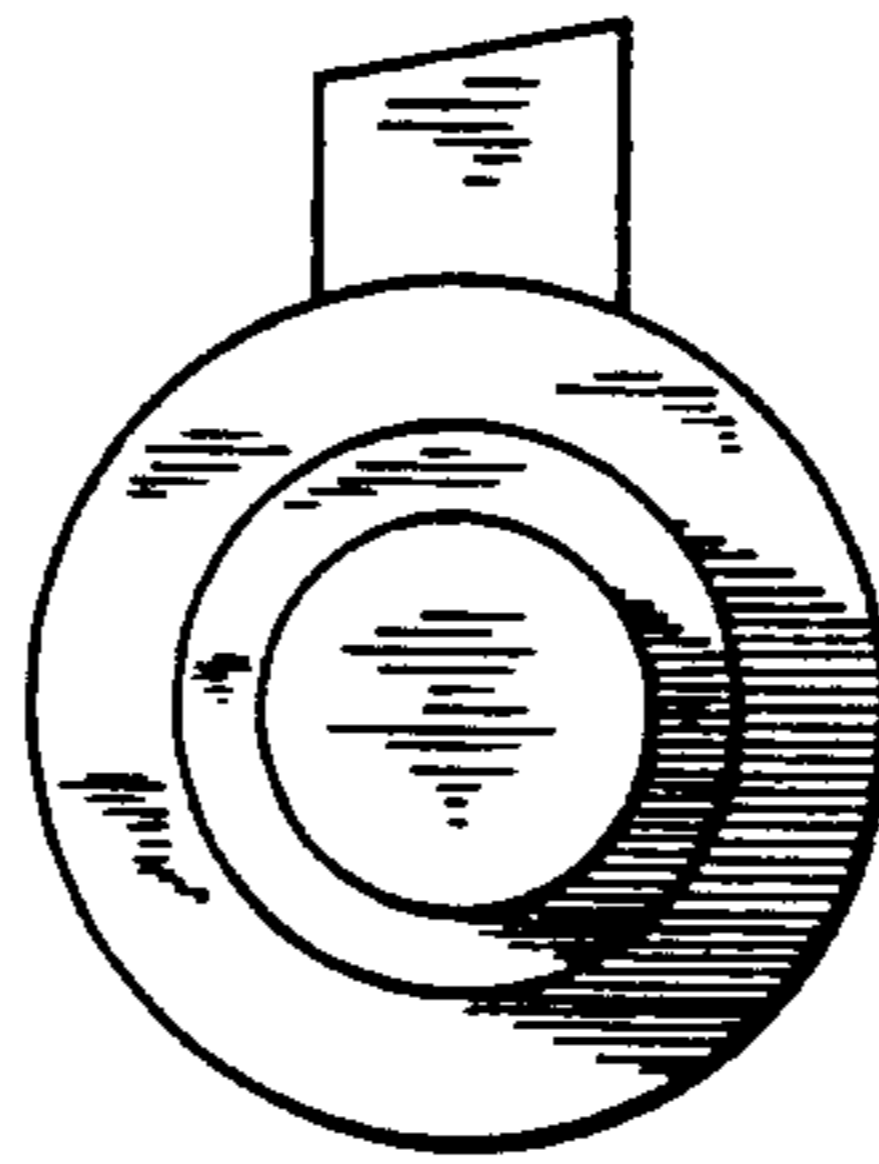
**FIG. 2**



**FIG. 3**



**FIG. 4**



**FIG. 5**