

[54] OIL PUMP

4,498,844 2/1985 Bissell et al. .... 417/68

[75] Inventors: Mitchell L. Wilgus, Akron; Roger H. Ramsey, Copeley, both of Ohio

Primary Examiner—Wallace R. Burke  
Assistant Examiner—Brian N. Vinson  
Attorney, Agent, or Firm—Harness, Dickey & Pierce

[73] Assignee: Copeland Corporation, Sidney, Ohio

[57] CLAIM

[\*\*] Term: 14 Years

The ornamental design for an oil pump, substantially as shown and described.

[21] Appl. No.: 820,413

DESCRIPTION

[22] Filed: Jan. 17, 1986

[52] U.S. Cl. .... D15/7

[58] Field of Search ..... D15/7, 9; 415/108, DIG. 5; 417/1, 65, 199 R, 229, 321, 326

FIG. 1 is a top and front perspective view of an oil pump, showing our new design, the broken-line showing of the compressor element as assembled being for illustrative purposes only and forming no part of the claimed design;

FIG. 2 is a front elevational view thereof;

FIG. 3 is a top plan view thereof;

FIG. 4 is a bottom plan view thereof;

FIG. 5 is a right side elevational view thereof; and,

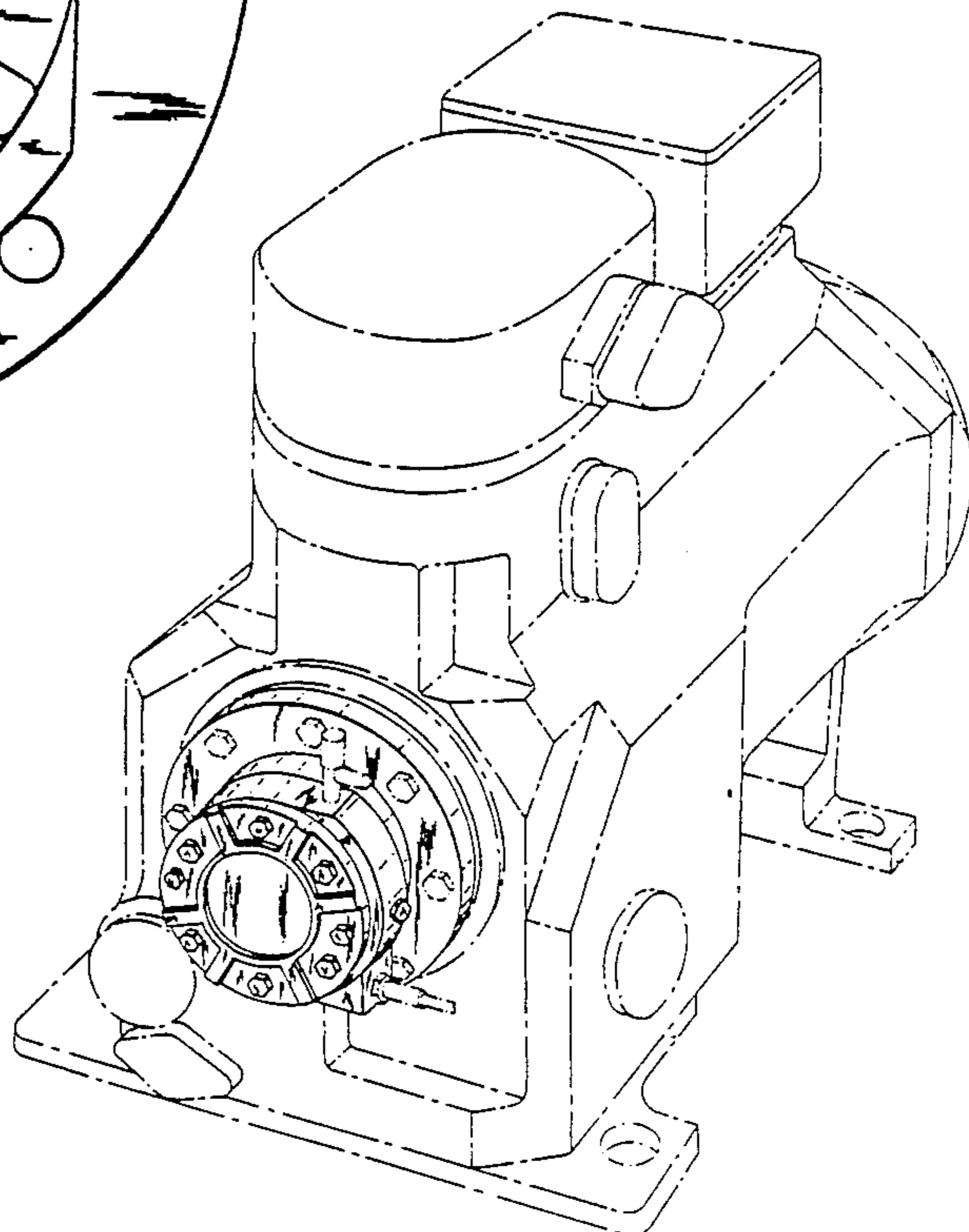
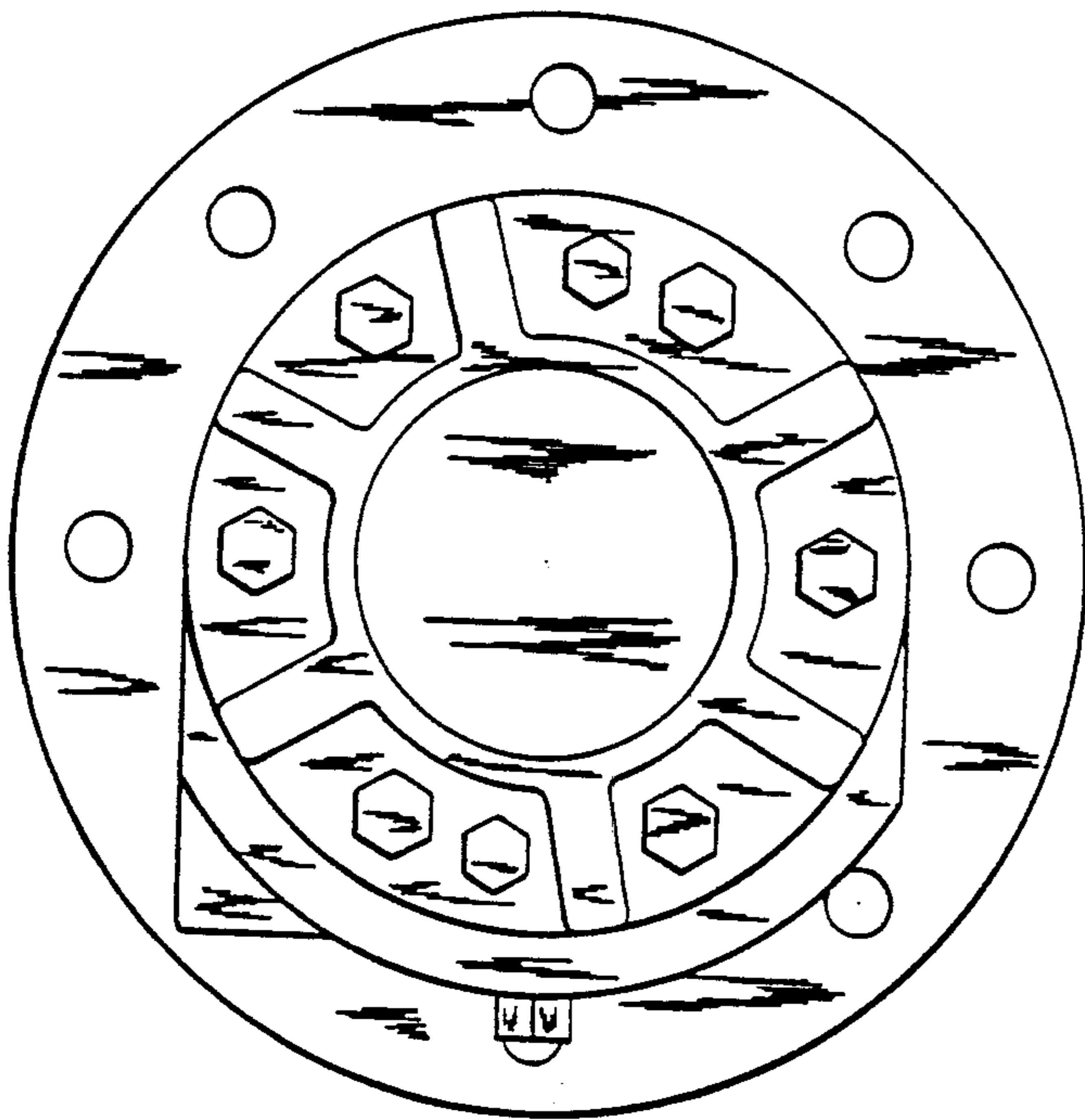
FIG. 6 is a left side elevational view thereof.

[56]

References Cited

U.S. PATENT DOCUMENTS

D. 263,839	4/1982	Somme .....	D15/7
D. 264,086	4/1982	Pareja .....	D15/7
D. 283,224	4/1986	Lametto et al. ....	D15/7



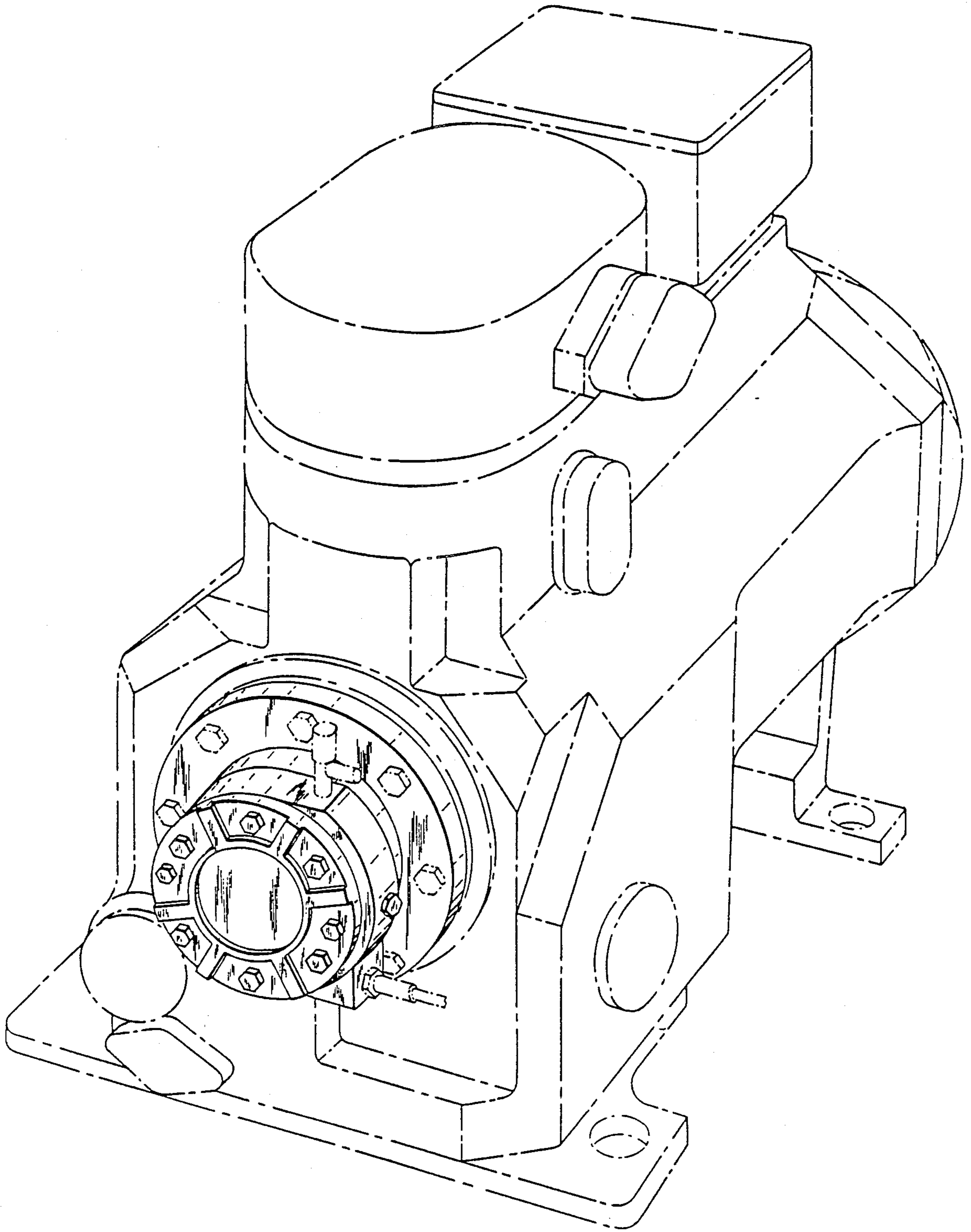


FIG. 1.

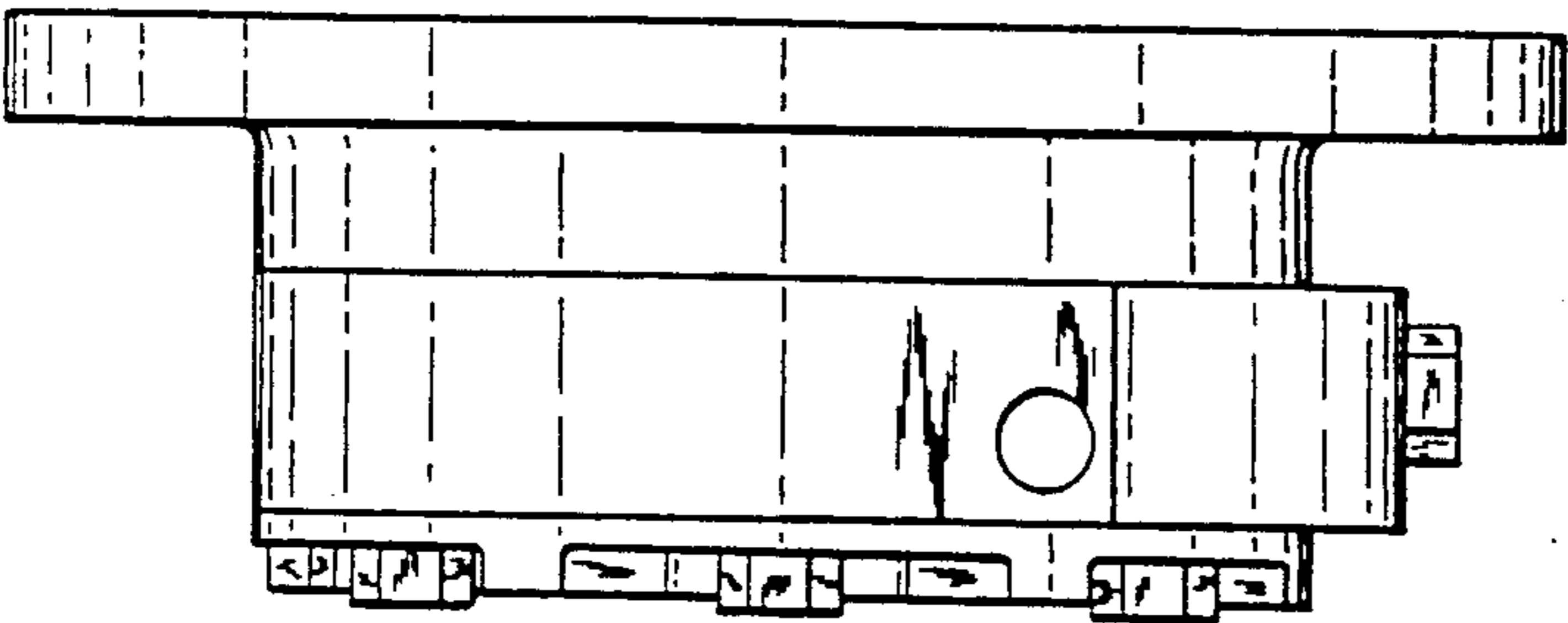


FIG. 3.

FIG. 5.

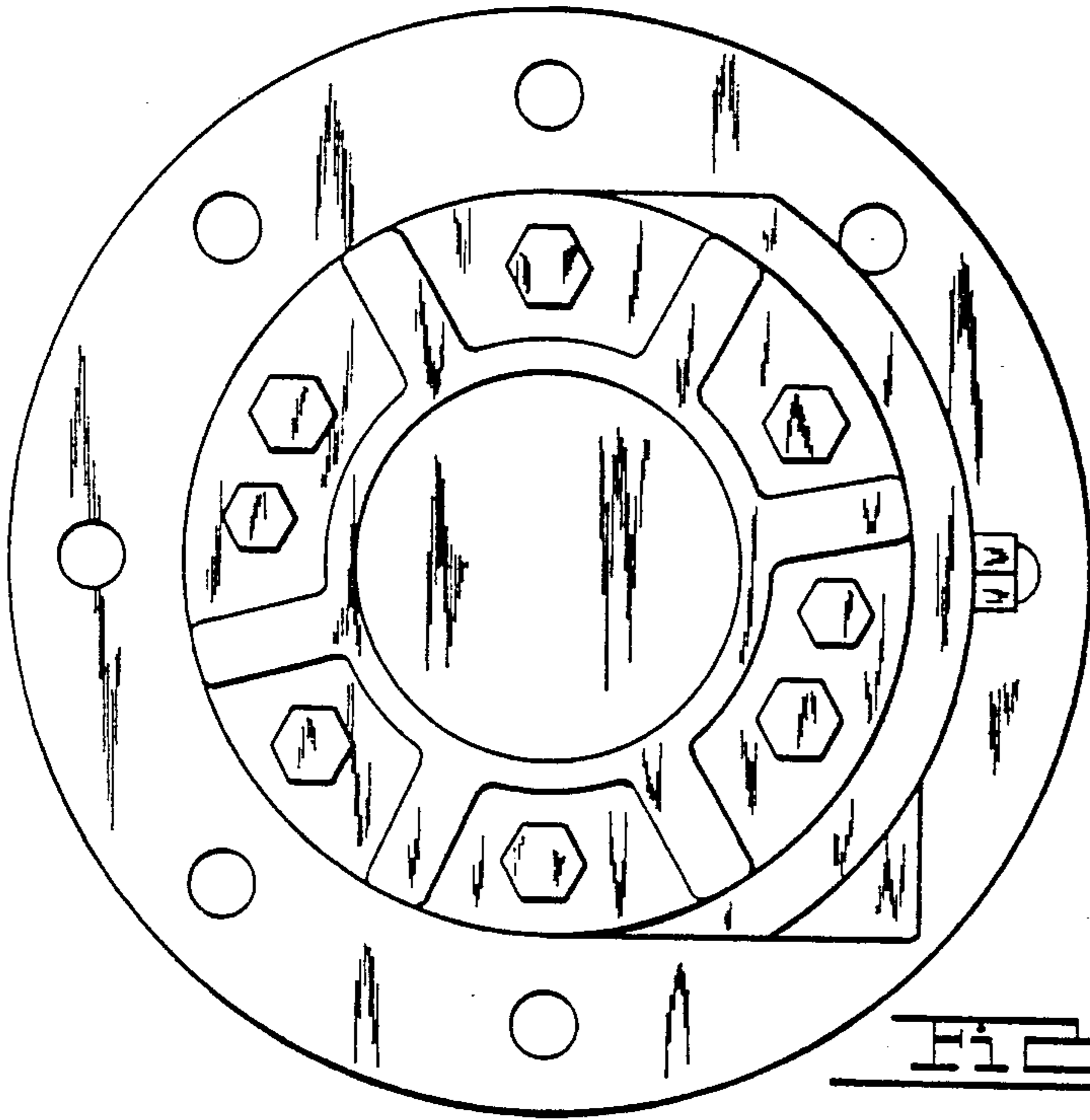


FIG. 2.

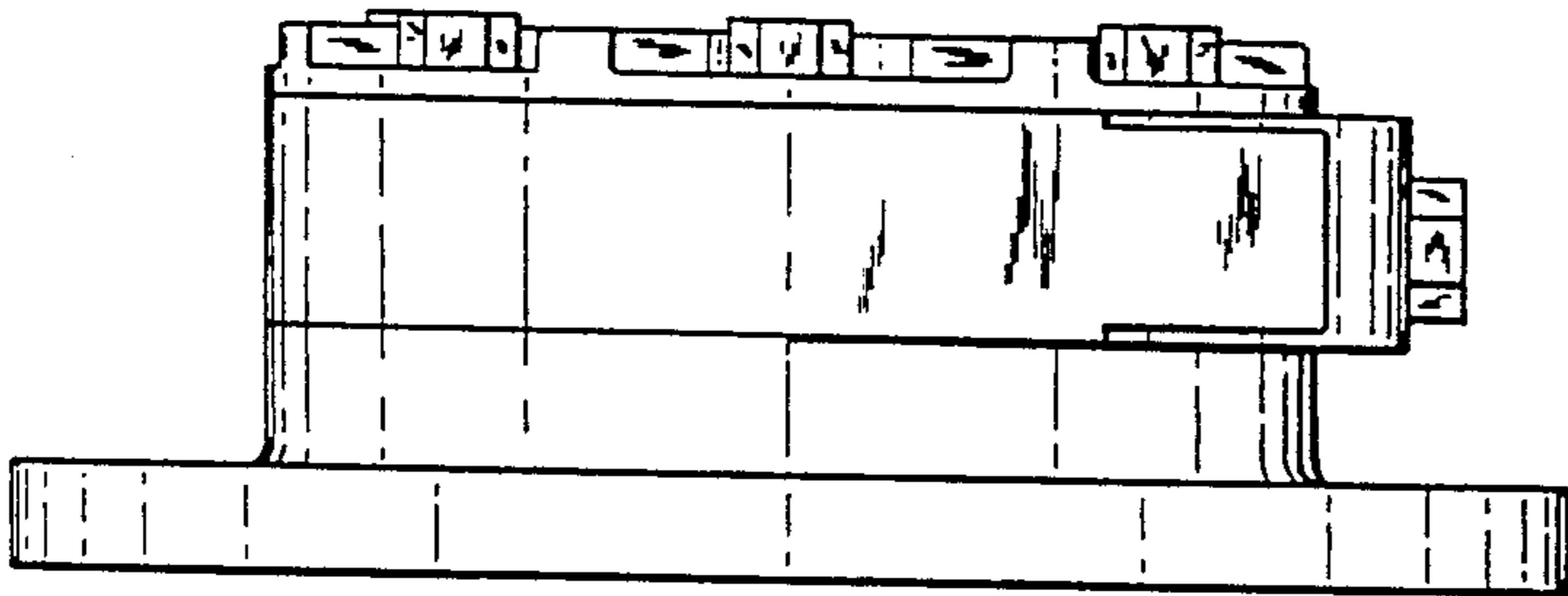
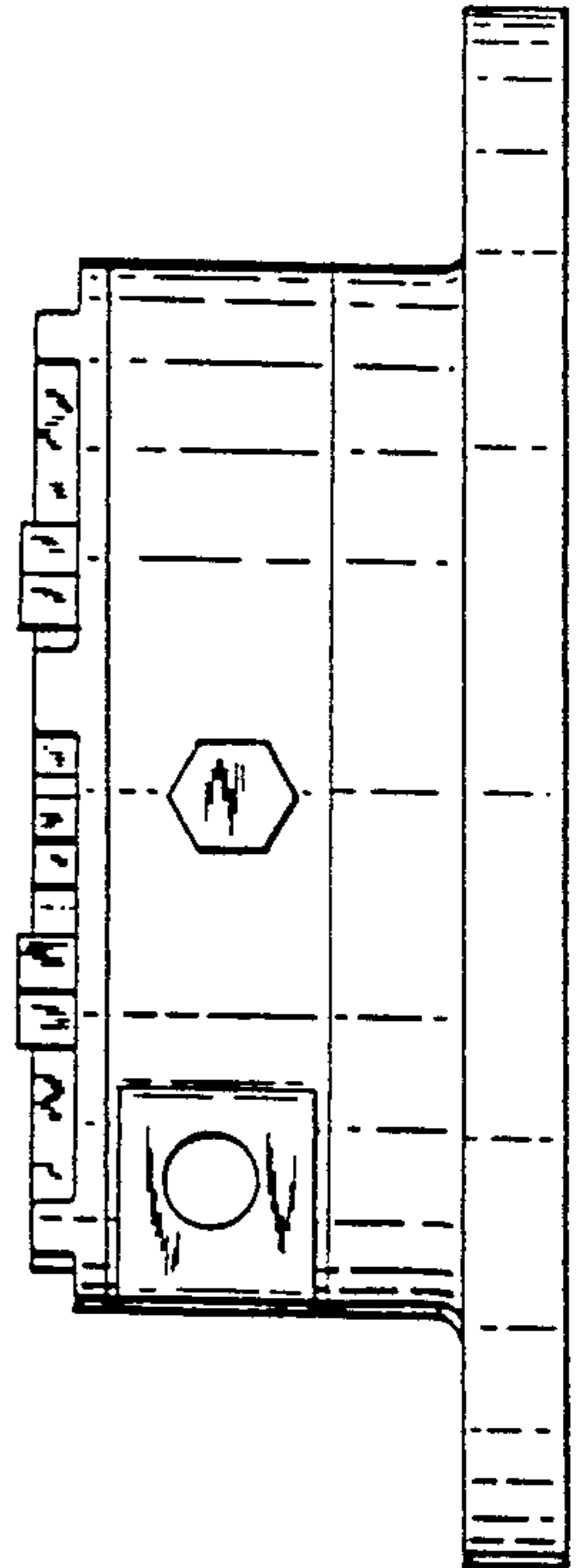


FIG. 4.

FIG. 6.

