

[54] TELEPHONE BASE WITH COMBINATIVE KEYBOARD, DISPLAY PANEL, SPEAKERPHONE, AND HANDSET THEREFOR

D: 284,855 7/1986 Grof ..... D14/53  
D. 287,585 1/1987 Brown et al. .... D14/62  
4,515,998 5/1985 Pinede et al. .... 179/146 R

[75] Inventors: Joseph G. Aschauer, Newtown; John Cuccio, Westport, both of Conn.

Primary Examiner—Wallace R. Burke  
Assistant Examiner—Horace B. Fay, Jr.  
Attorney, Agent, or Firm—Francis N. Carten

[73] Assignee: TIE/Communications, Inc., Shelton, Conn.

[57] CLAIM

[\*\*] Term: 14 Years

The ornamental design for a telephone base with combinative keyboard, display panel, speakerphone, and handset therefor, substantially as shown and described.

[21] Appl. No.: 701,866

DESCRIPTION

[22] Filed: Feb. 14, 1985

FIG. 1 is a front, top and right side perspective view of a telephone base with combinative keyboard, display panel, speakerphone, and handset therefor, showing our new design;

[52] U.S. Cl. .... D14/58; D14/62; D14/57; D14/59

FIG. 2 is a top plan view thereof;

[58] Field of Search ..... D14/52-67; 379/428, 420, 433, 436, 454, 434

FIG. 3 is a bottom plan view;

[56] References Cited

U.S. PATENT DOCUMENTS

D. 267,091 11/1982 Ohno ..... D14/58  
D. 275,008 8/1984 Martin ..... D14/53  
D. 280,324 8/1985 Endt ..... D14/53  
D. 283,508 4/1986 Miyoke ..... D14/58 X  
D. 284,573 7/1986 Ando ..... D14/58

FIGS. 4 and 5 are respectively rear and front elevational views thereof;

FIGS. 6 and 7 are respectively right and left elevational views thereof; and,

FIG. 8 is an enlarged plan view of the display panel in FIGS. 1, 2 and 5, shown separately for clarity of illustration and in operational condition.

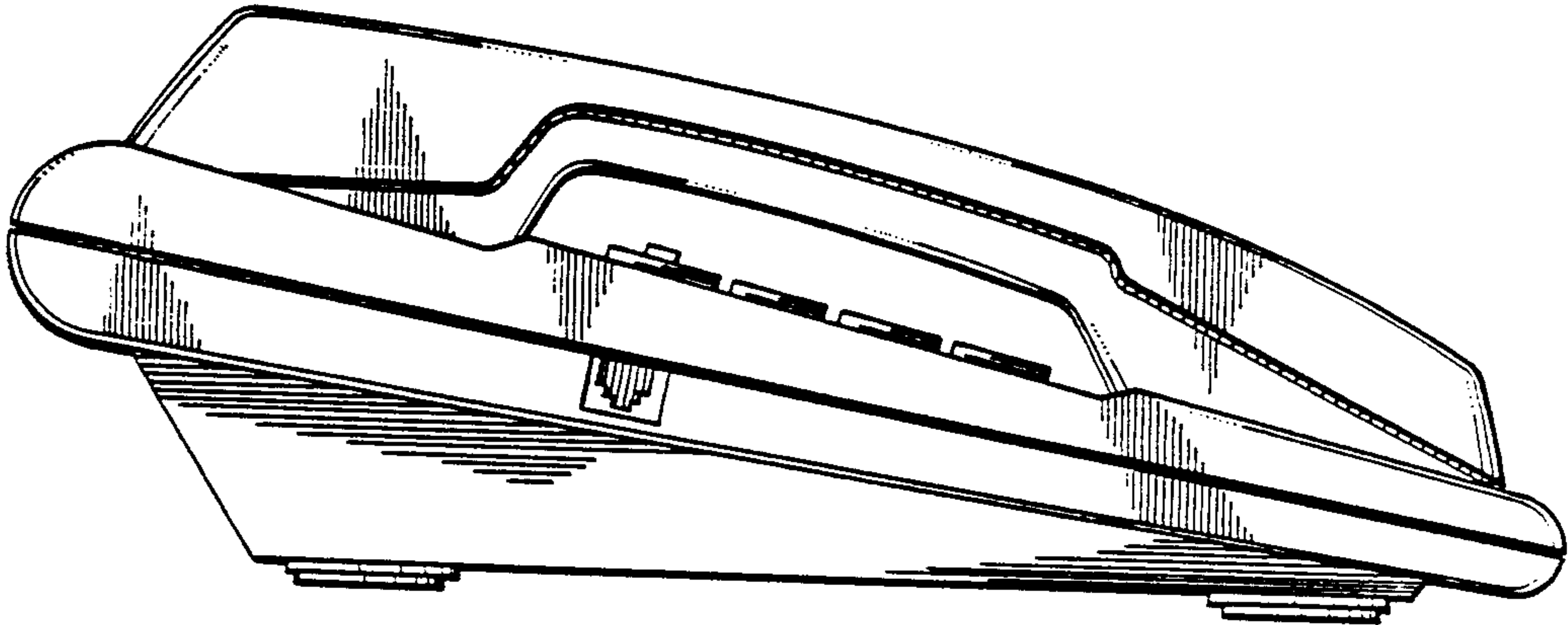


FIG. 1.

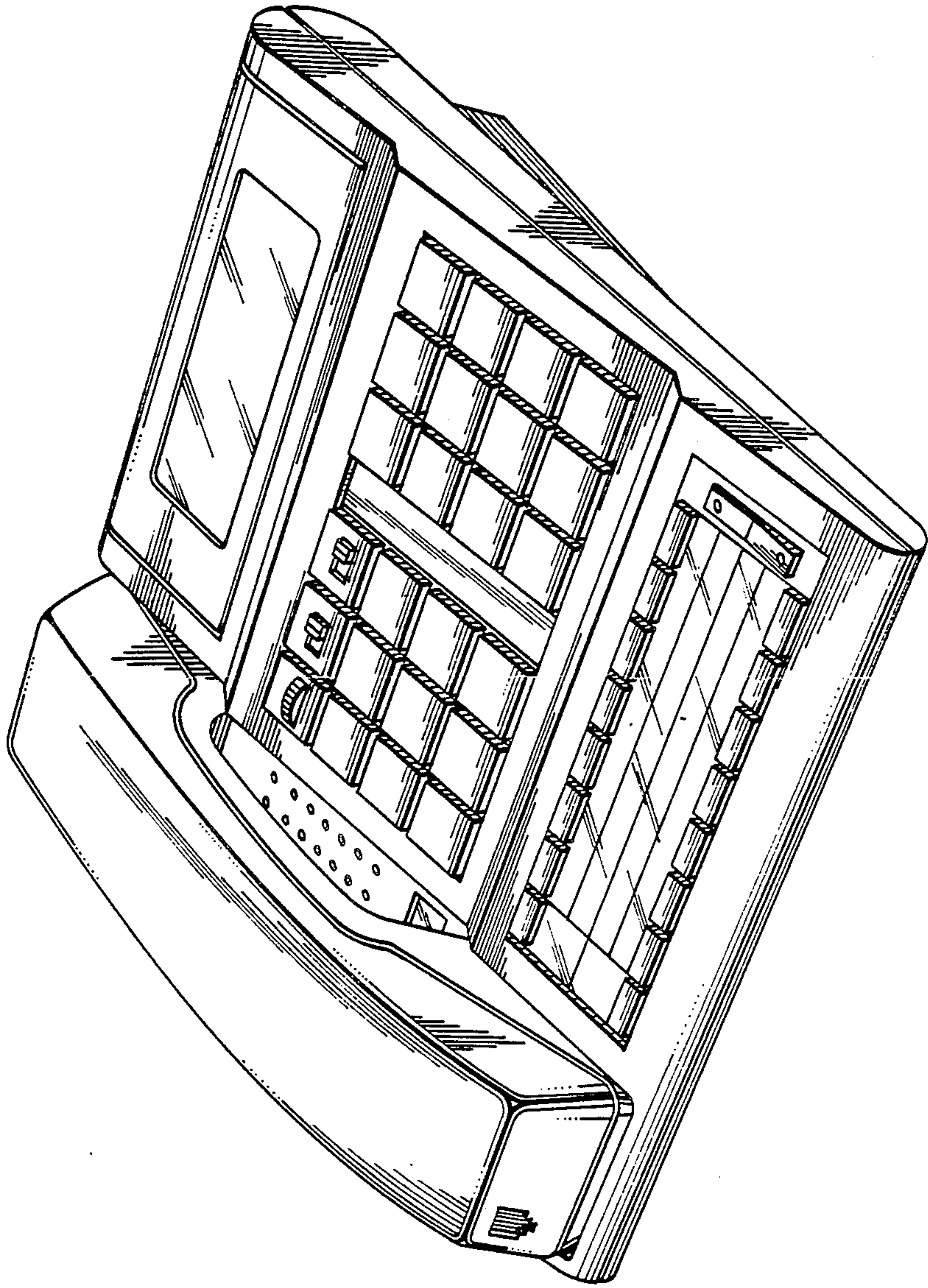




FIG. 2.

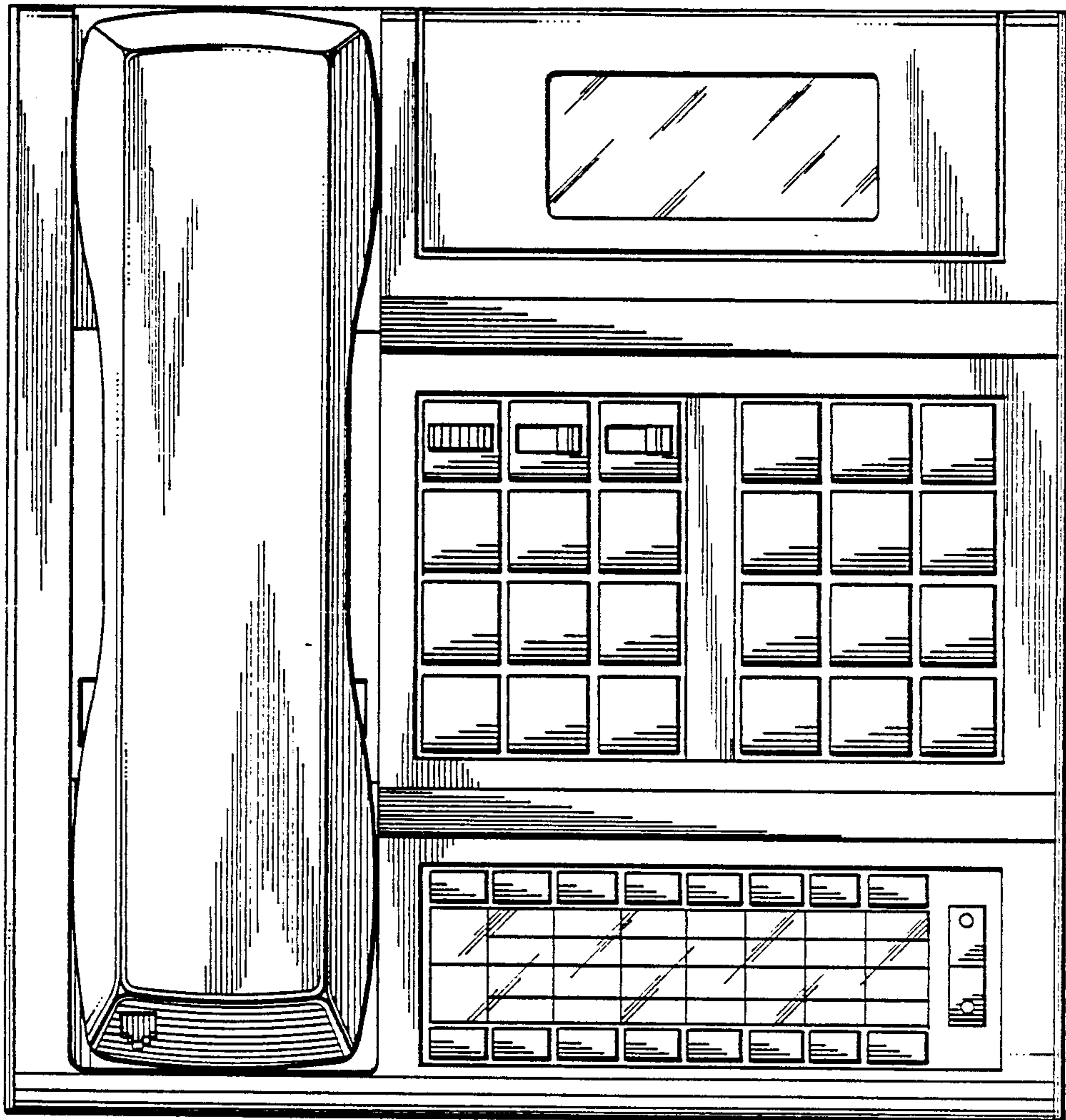


FIG. 3.

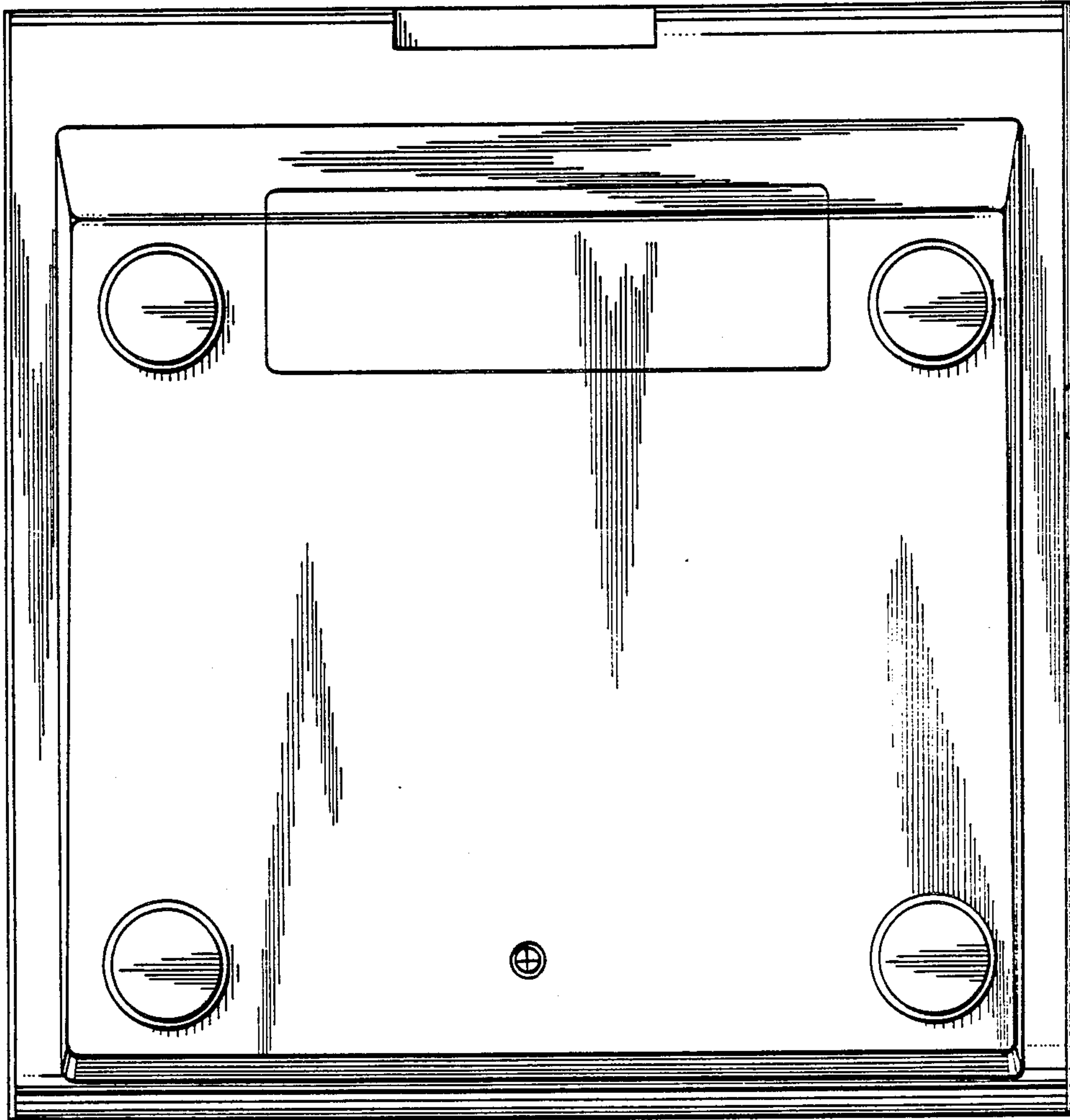


FIG. 4.

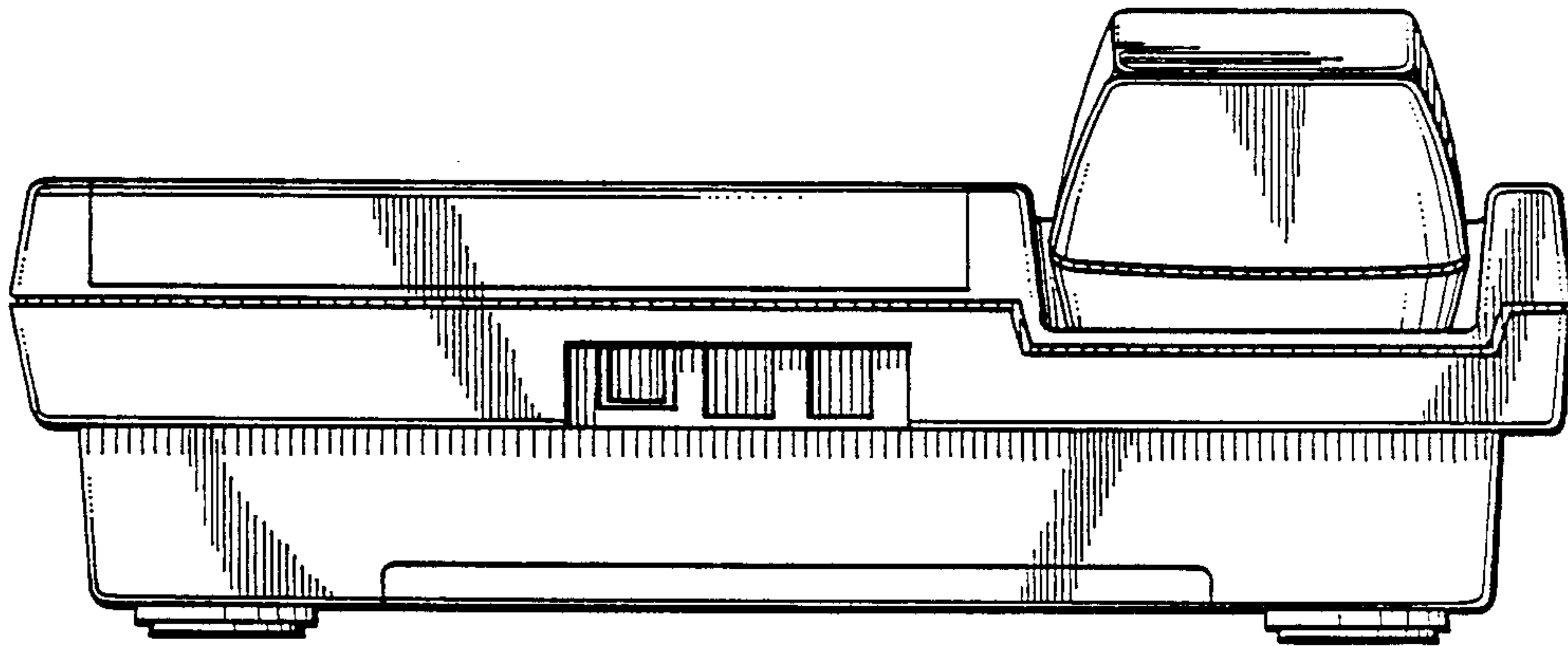


FIG. 5.

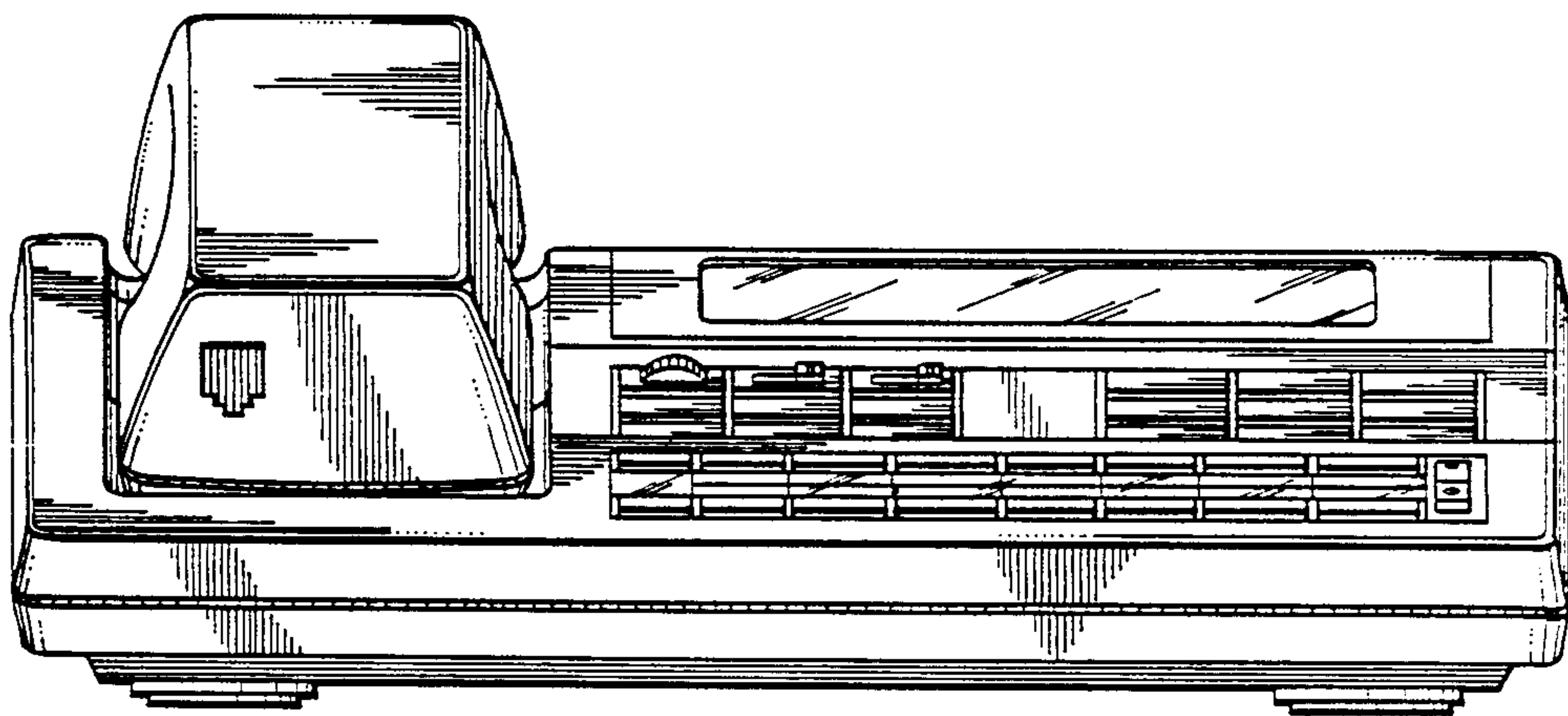


FIG. 6.

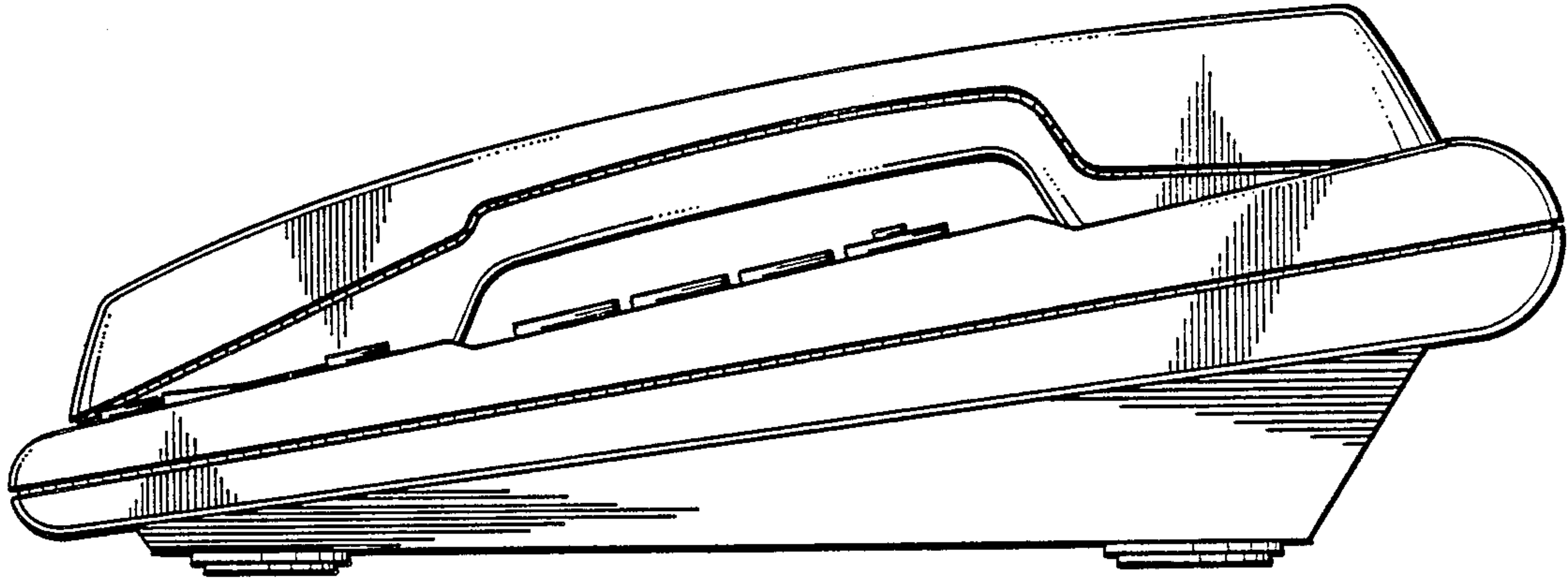


FIG. 7.

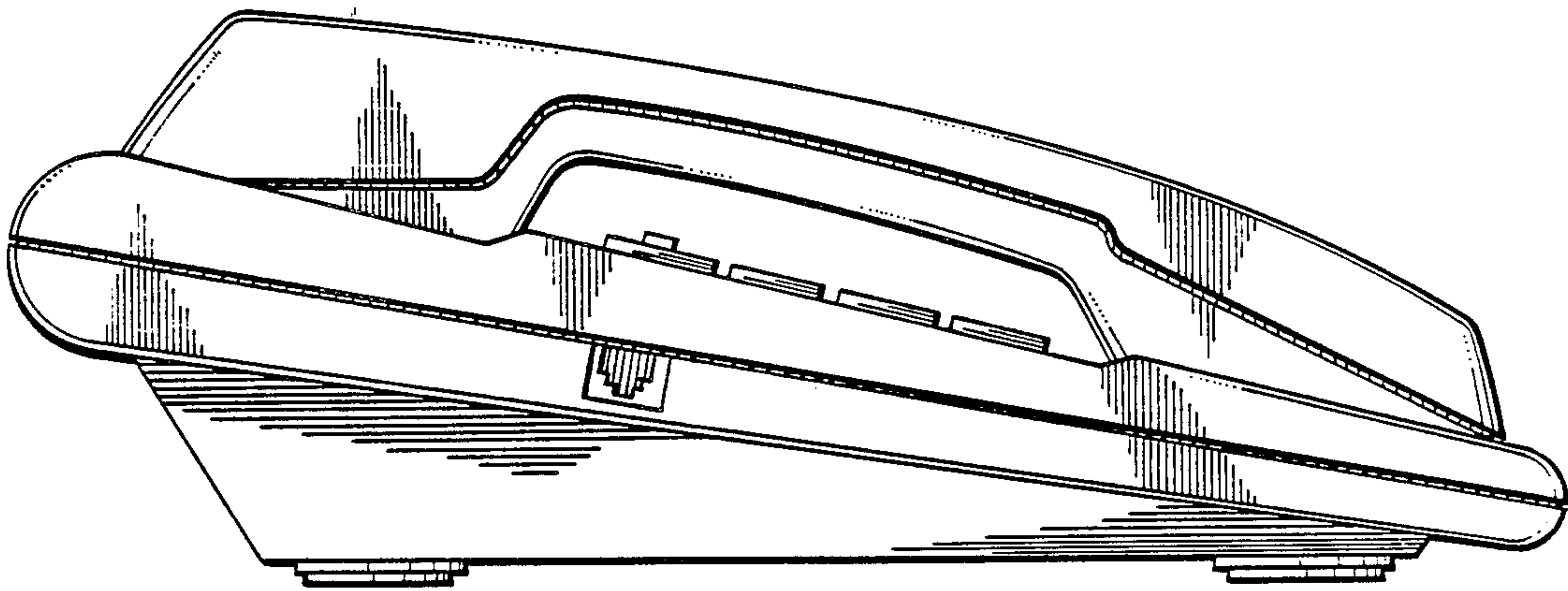


FIG. 8.

