

[54] TIRE

[75] Inventor: Ronald L. Messer, Simpsonville, S.C.

[73] Assignee: Michelin Recherche et Technique S.A., Basel, Switzerland

[**] Term: 14 Years

[21] Appl. No.: 755,110

[22] Filed: Jul. 15, 1985

Related U.S. Application Data

[63] Continuation-in-part of Ser. No. 673,878, Nov. 21, 1984, abandoned, which is a continuation-in-part of Ser. No. 534,191, Sep. 21, 1983, abandoned.

[52] U.S. Cl. D12/147

[58] Field of Search D12/146-151, D12/136, 137; 152/209 R, 209 D

[56] References Cited

U.S. PATENT DOCUMENTS

D. 193,378	8/1962	Tiborcz	D12/146
D. 253,761	12/1979	de Saint-Michel	D12/147
D. 278,220	4/1985	McDonald	D12/147
D. 283,316	4/1986	Candiliotis	D12/147
4,223,712	9/1980	Iwata et al.	D12/143

OTHER PUBLICATIONS

1982 Tread Design Guide, p. 122, Centennial Canyon Climber R.V. Radial Tire, bottom left side of page.

1982 Tread Design Guide, p. 135, Dunlop Dune Traction 70 Tire, bottom center of page & Dunlop Radial Rover RV-All Position Tire, second row up from bottom, right side of page.

1982 Tread Design Guide p. 162, Phoenix 2020 SC Tire, second row up from bottom, center of page & Phillips 66 Traction Tire, second row down from top, second tire in from right side of page.

1983 Tread Design Guide, p. 46, Michelin X M&S 70 Tire, second tire in from top right side of page.

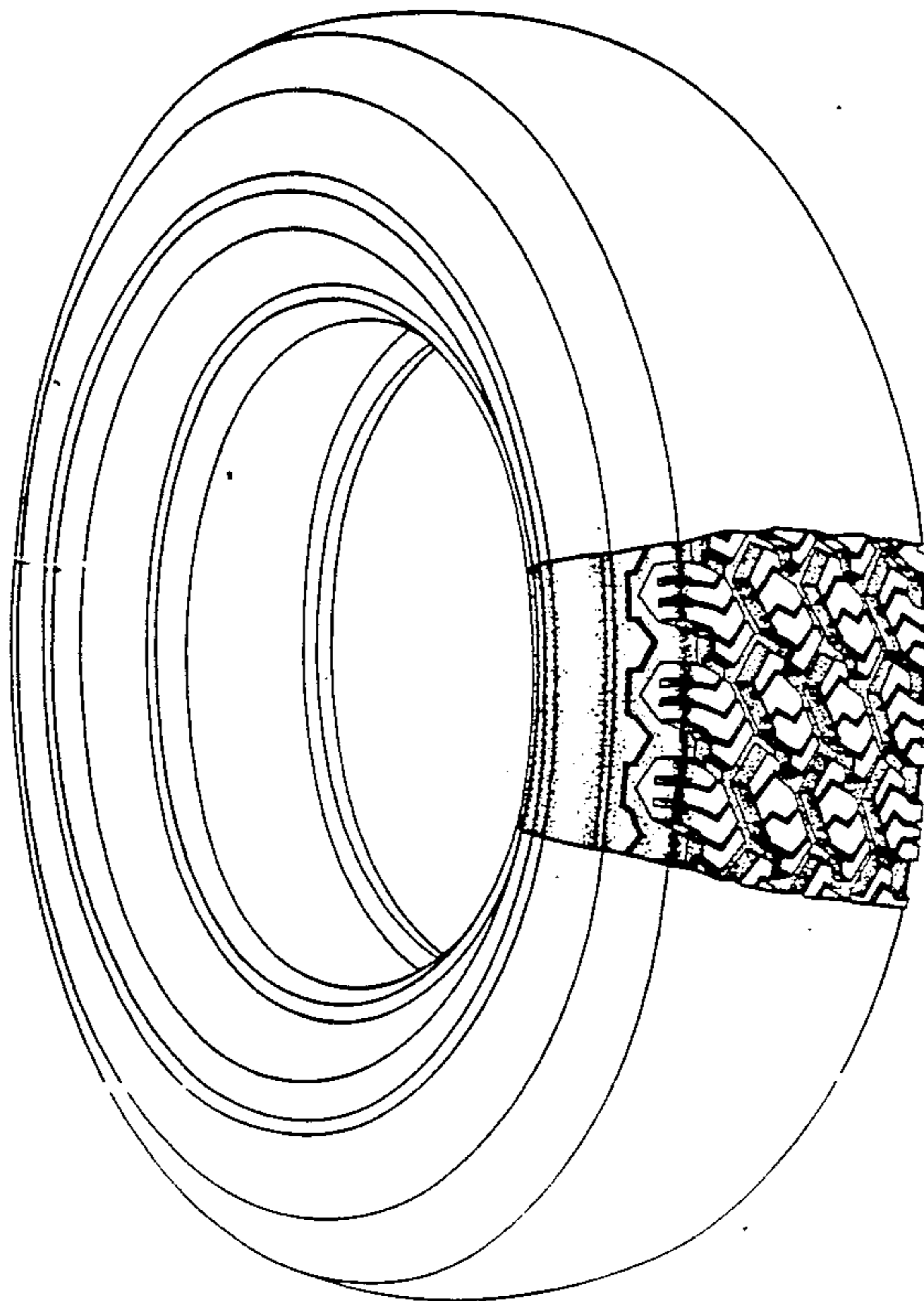
Primary Examiner—James M. Gandy
Attorney, Agent, or Firm—Brumbaugh, Graves, Donohue & Raymond

[57] CLAIM

The ornamental design for a tire, as shown and described.

DESCRIPTION

FIGS. 1 and 2 are perspective views of a tire showing two embodiments of my new design, it being understood that the tread pattern is repeated throughout the circumference of the tire, as shown schematically by solid lines, the opposite side being substantially the same as that shown.



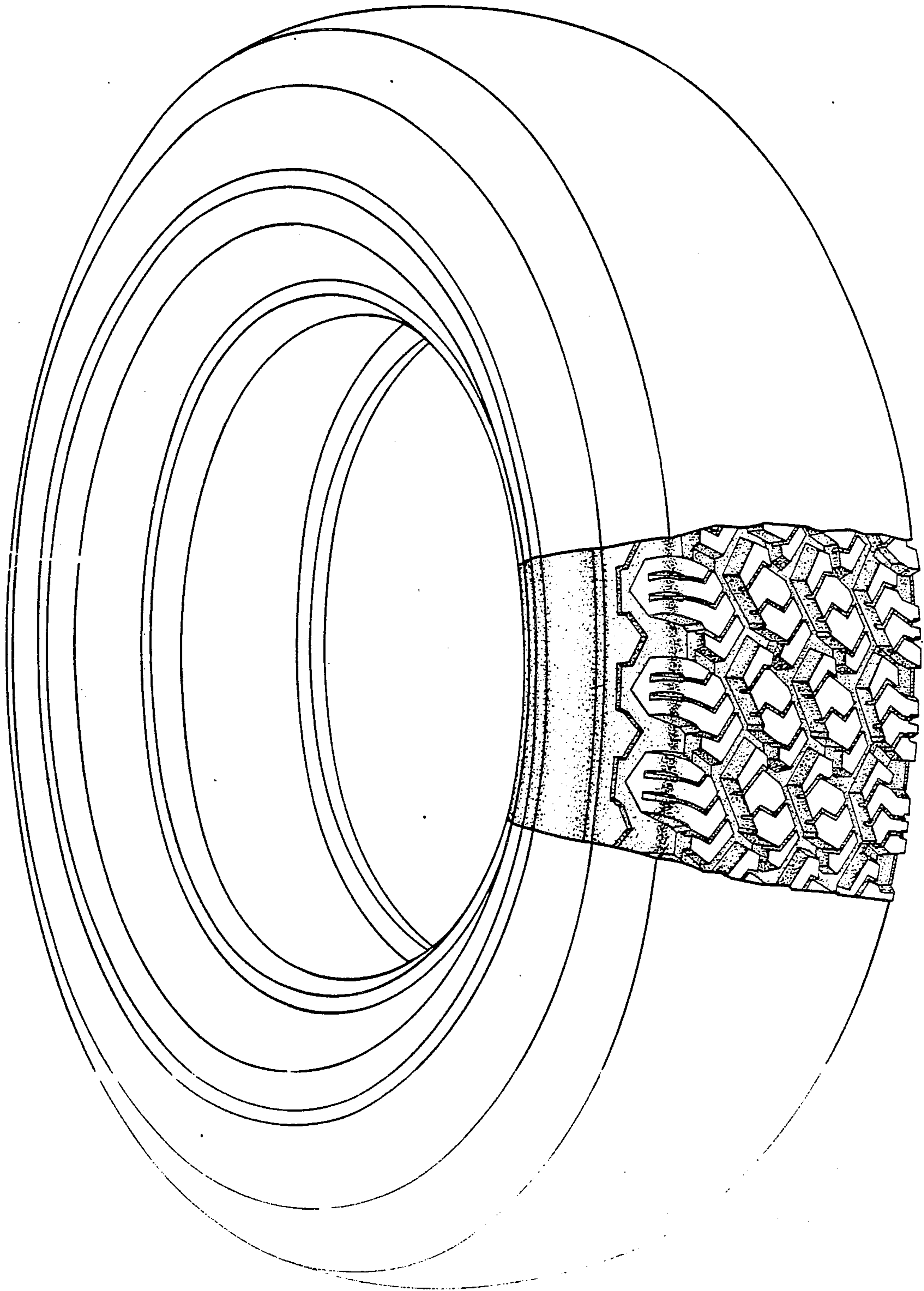


FIG. 1

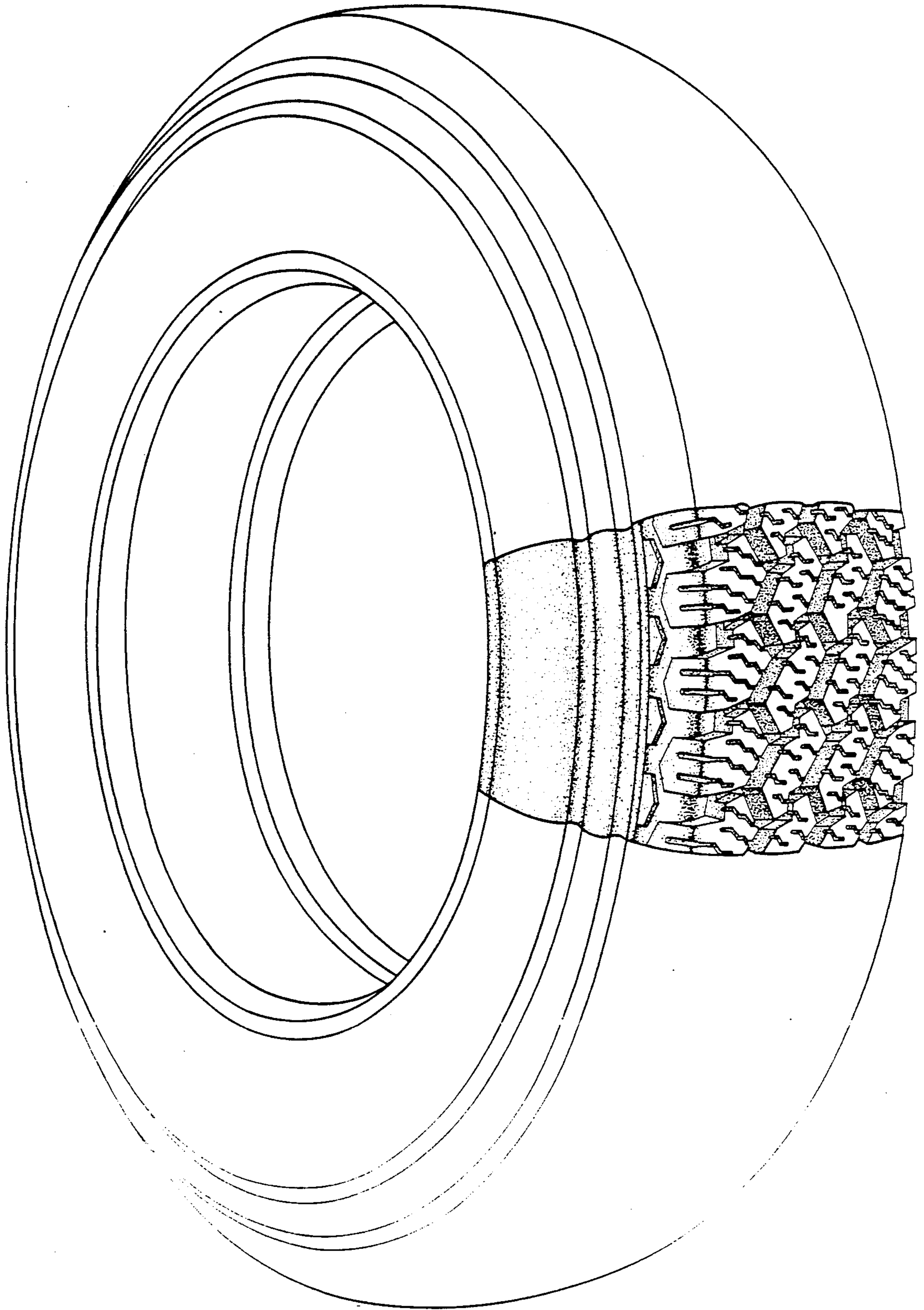


FIG. 2