

[54] RESISTANCE INSULATION METER

[75] Inventors: Ake Gustafsson, Gyttop; Sune Hallin, Nora, both of Sweden

[73] Assignee: Nitro Nobel AB, Gyttop, Sweden

[**] Term: 14 Years

[21] Appl. No.: 756,063

[22] Filed: Jul. 17, 1985

[30] Foreign Application Priority Data

Jan. 17, 1985 [SE] Sweden 85-0112

[52] U.S. Cl. D10/78

[58] Field of Search D10/75, 78, 102-103, D10/46; 324/502, 73 R, 115, 156

[56] References Cited

U.S. PATENT DOCUMENTS

D. 248,734 8/1978 Husserl D10/78

2,492,459	12/1949	Bondurant	324/502 X
2,543,754	3/1951	Beach	324/502
3,667,037	5/1972	Kierce	324/73 R
3,906,342	9/1975	Pfouts	324/502 X

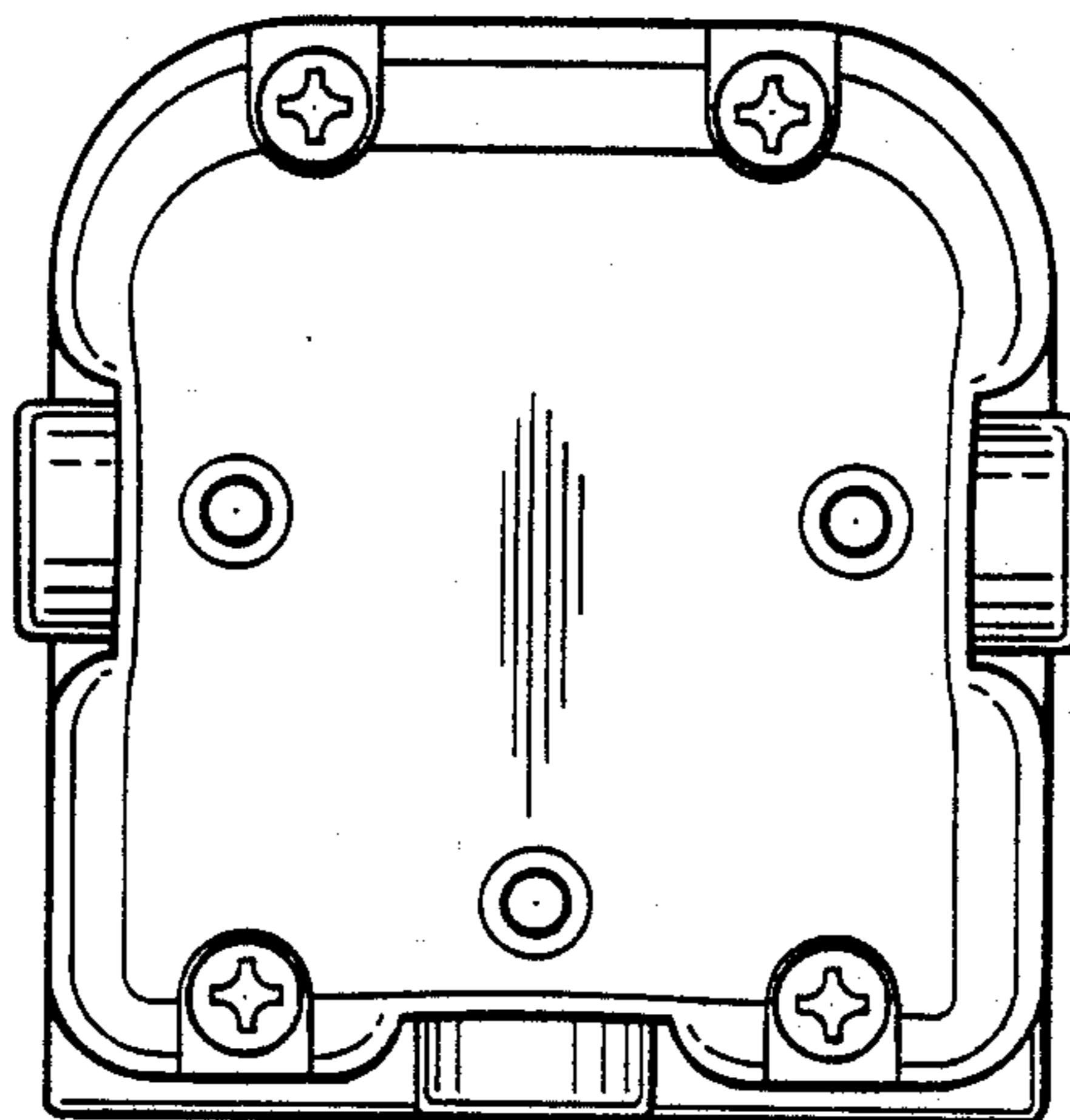
Primary Examiner—Nelson C. Holtje
Attorney, Agent, or Firm—Frishauf, Holtz, Goodman & Woodward

[57] CLAIM

The ornamental design for a resistance insulation meter, as shown and described.

DESCRIPTION

FIG. 1 is a top plan view of a resistance insulation meter, showing our new design;
FIG. 2 is a front elevational view thereof;
FIG. 3 is a bottom plan view thereof;
FIG. 4 is a rear elevational view thereof;
FIG. 5 is a right side view thereof, the left side being a mirror image thereto.



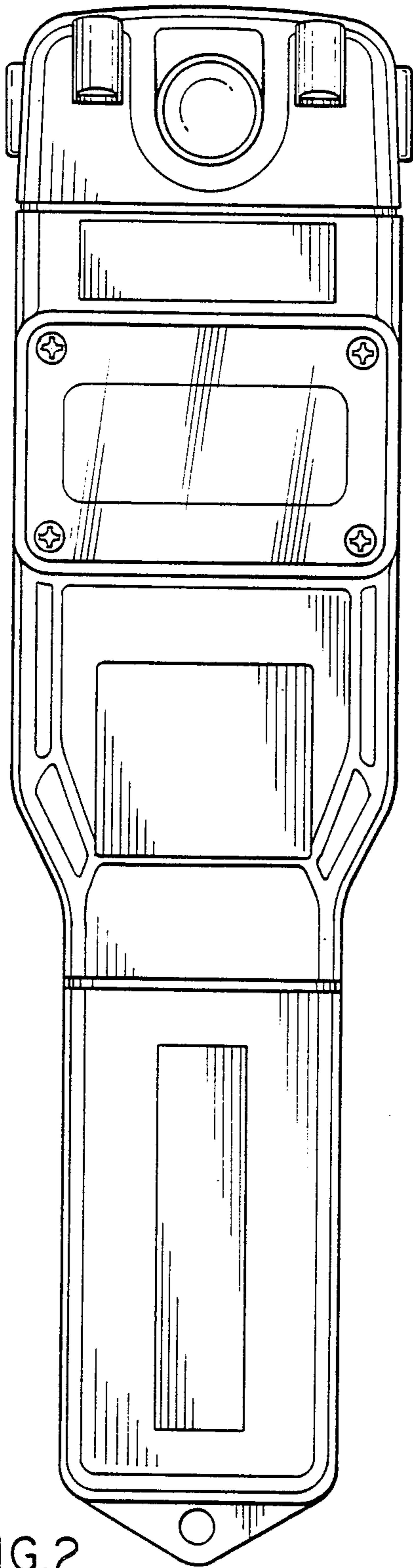


FIG. 2

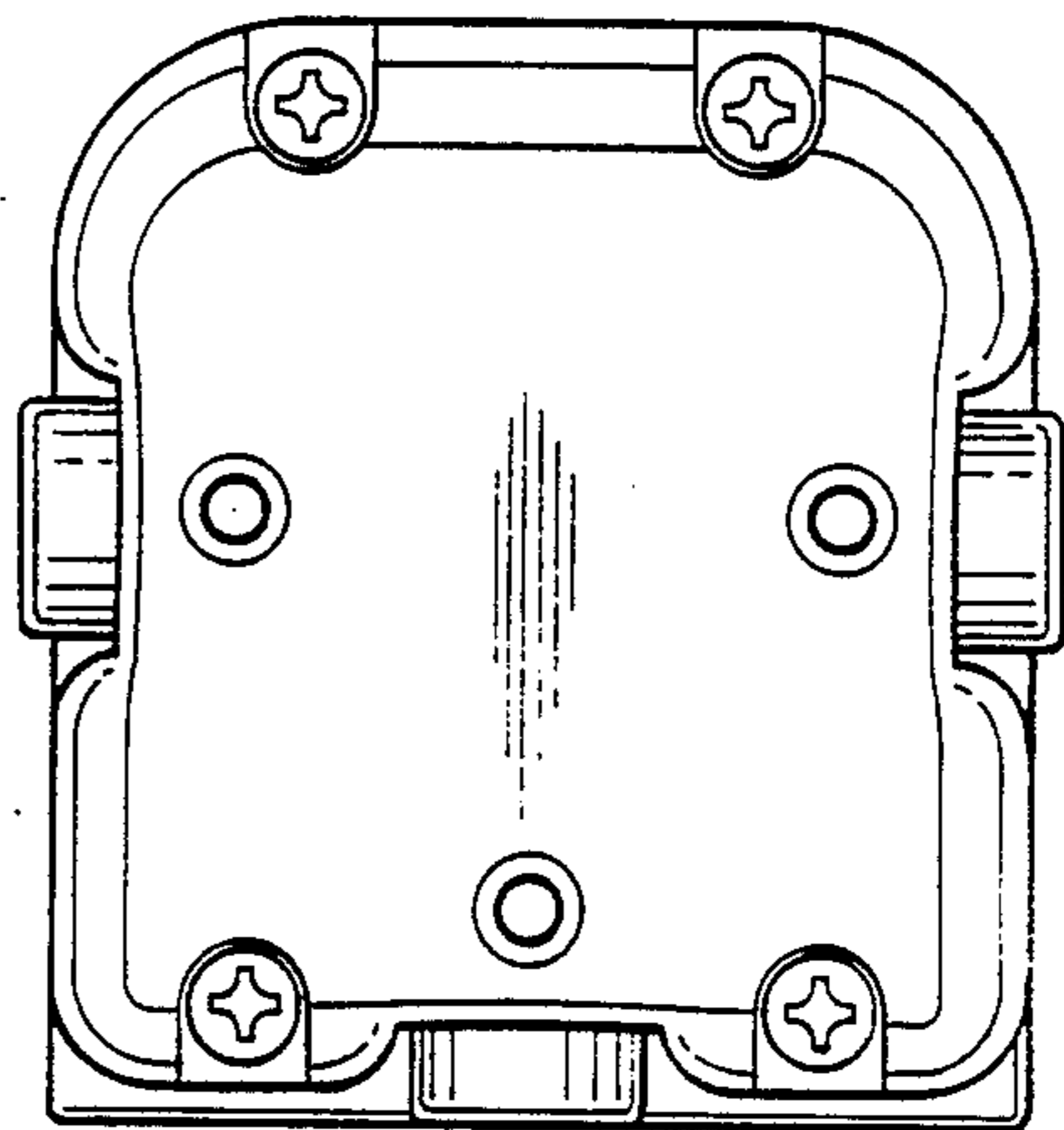


FIG. 1

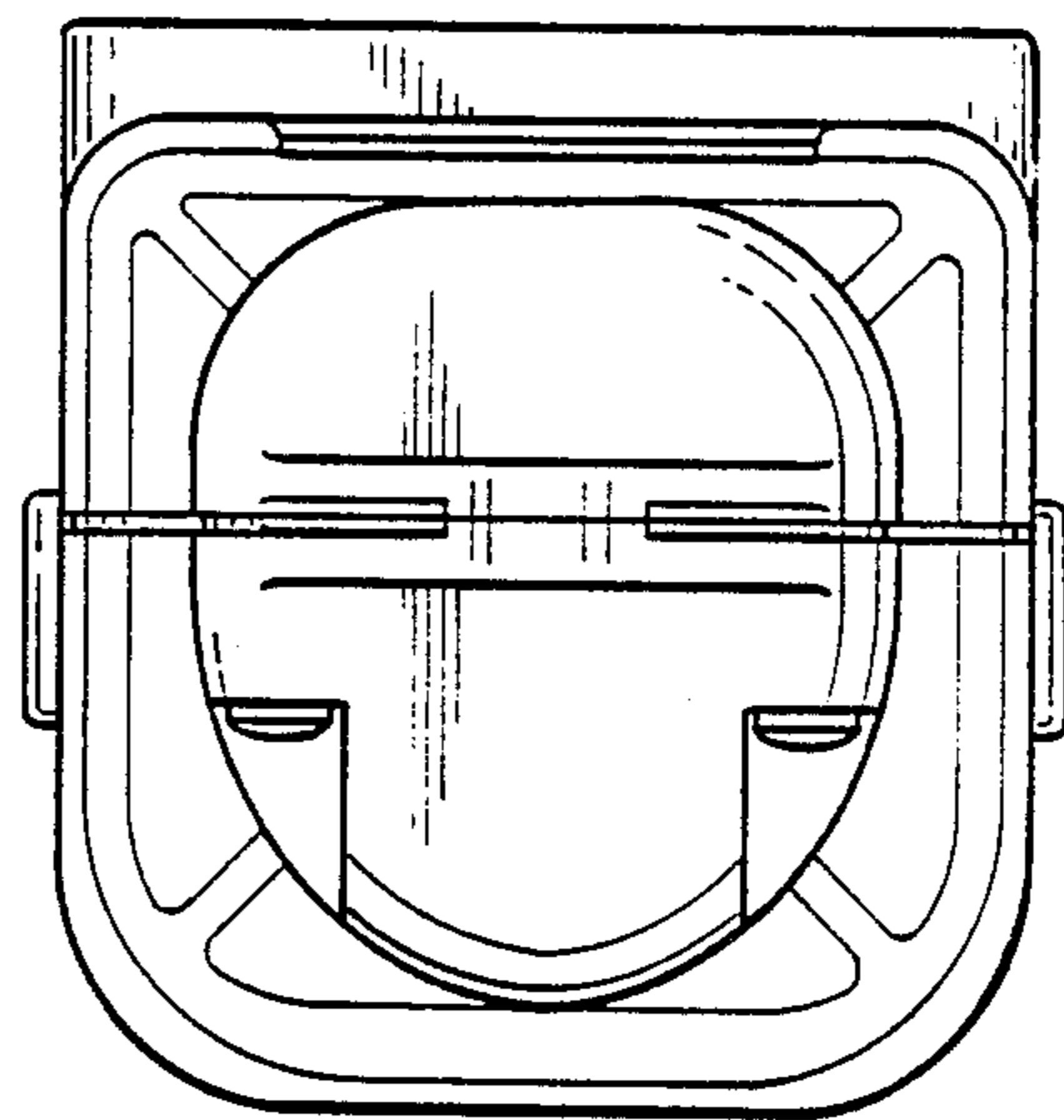


FIG. 3

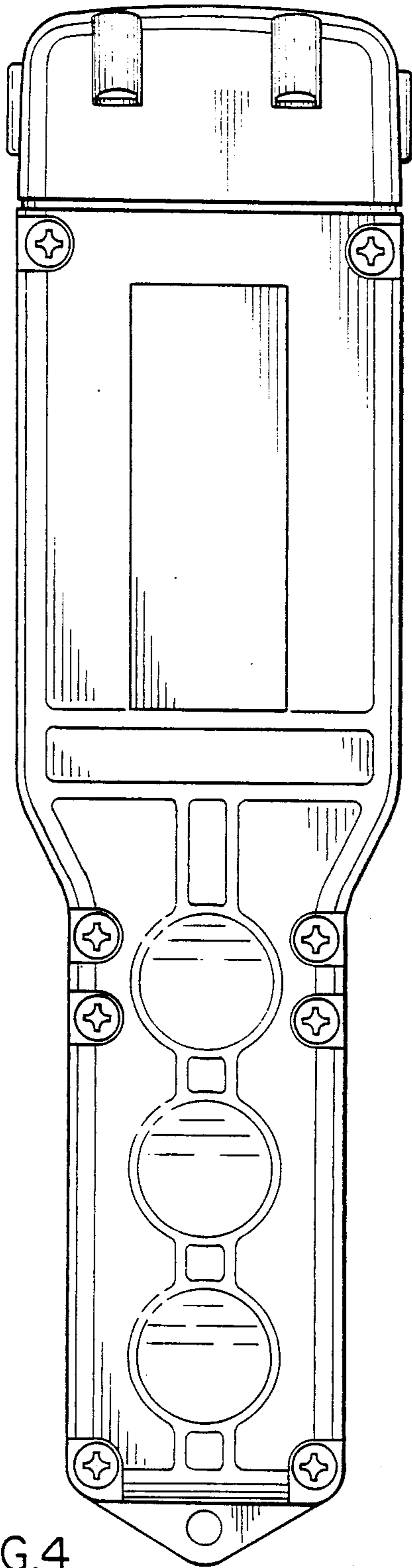


FIG. 4

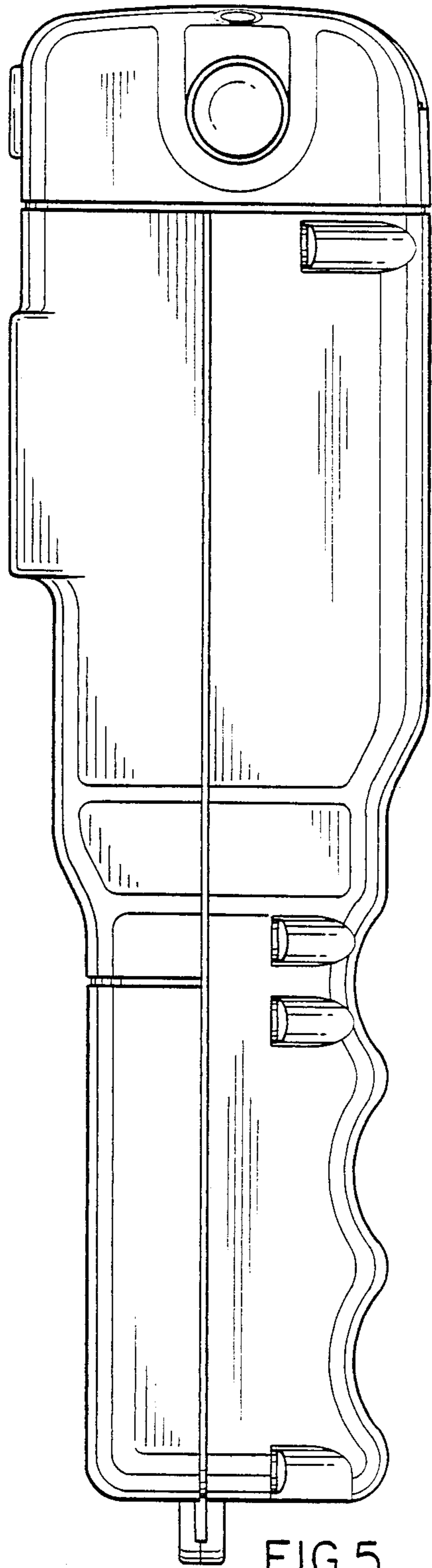


FIG. 5