

[54] LOCKING CLIP

2,519,652 8/1950 Hargrave ..... 24/508  
4,489,869 12/1984 Wienhold et al. .... 4/513

[76] Inventor: Ming S. Chang, 509 N. Charlotte,  
Lombard, Ill. 60148

Primary Examiner—B. J. Bullock  
Attorney, Agent, or Firm—Robert F. Van Epps

[\*\*] Term: 14 Years

[57] CLAIM

[21] Appl. No.: 702,803

The ornamental design for a locking clip as shown.

[22] Filed: Apr. 8, 1985

DESCRIPTION

[52] U.S. Cl. .... D8/395

[58] Field of Search ..... D8/394, 395; D19/88;  
24/492, 494, 495, 496, 499, 500, 502, 508, 509,  
510, 513, 505, 506

FIG. 1 is a perspective view of a locking clip, showing  
my new design;

FIG. 2 is a side elevational view thereof, in an open  
position;

FIG. 3 is a side elevational view thereof, in a partially  
closed position;

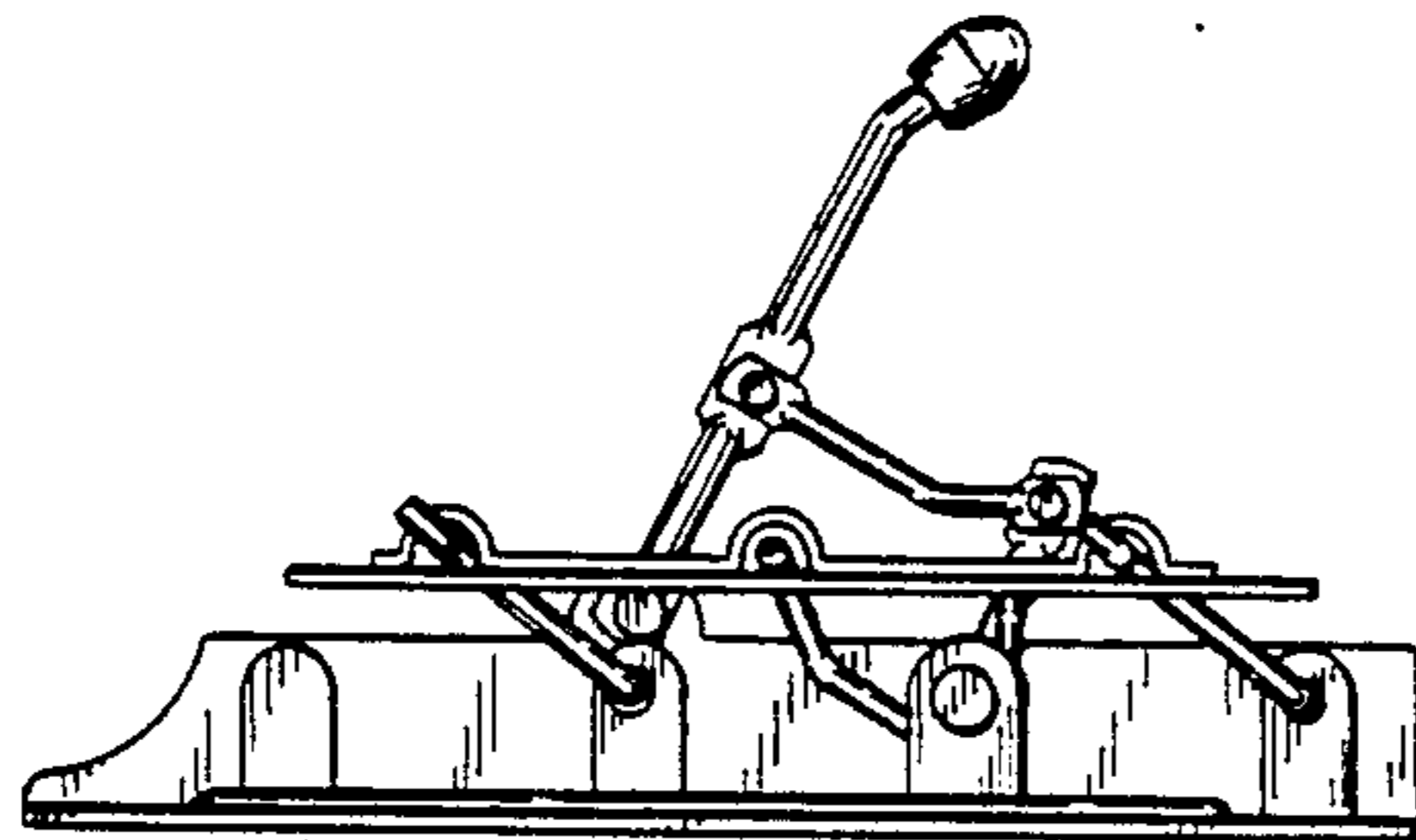
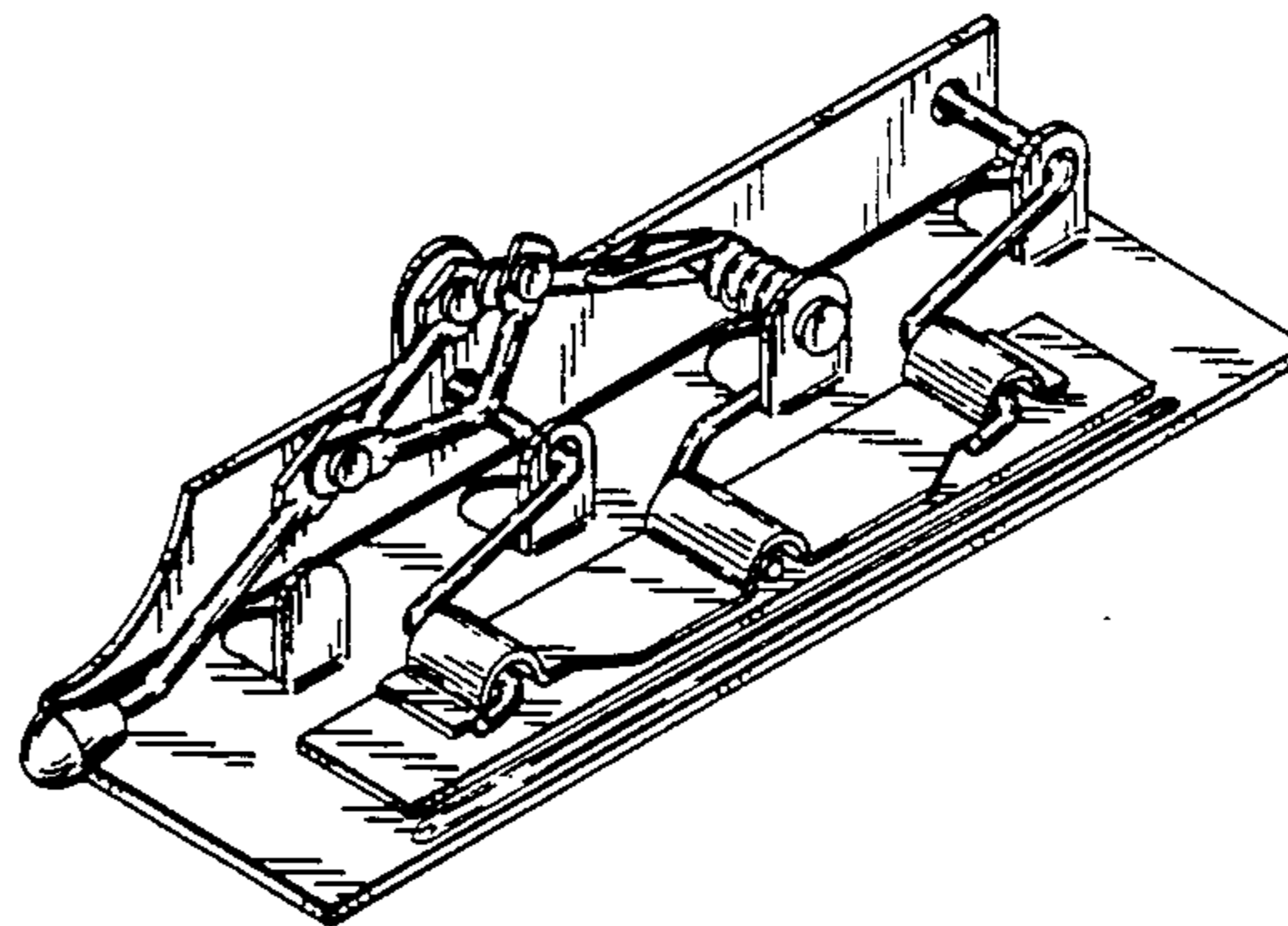
FIG. 4 is a side elevational view thereof, in the fully  
closed position.

The side opposite that shown in FIGS. 2-4 and the  
bottom are plain and unornamented.

[56] References Cited

U.S. PATENT DOCUMENTS

- D. 185,285 5/1959 Howard ..... D8/395
- D. 212,567 10/1968 Schade ..... D8/395
- D. 288,901 2/1987 Zamek ..... D8/395



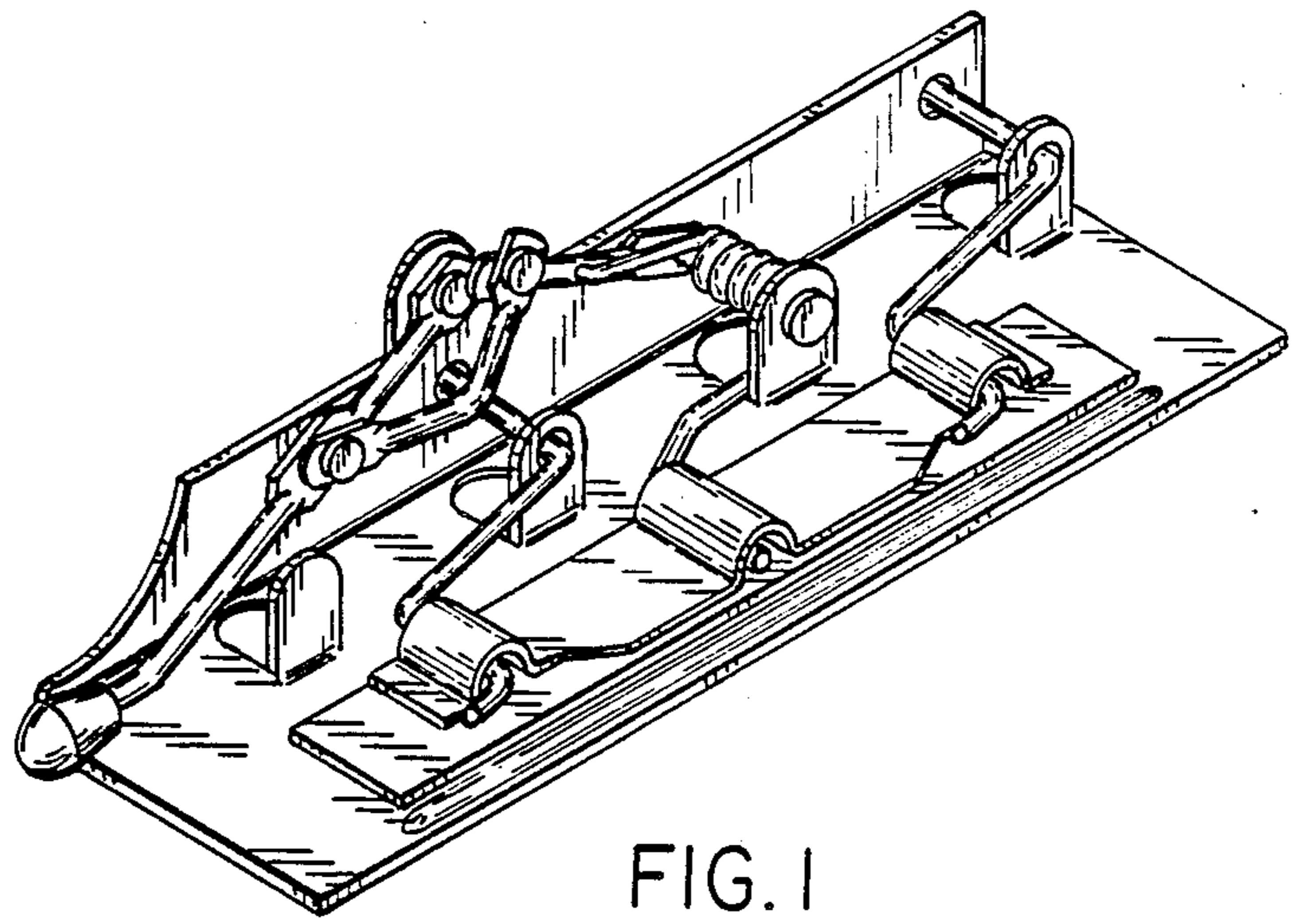


FIG. 1

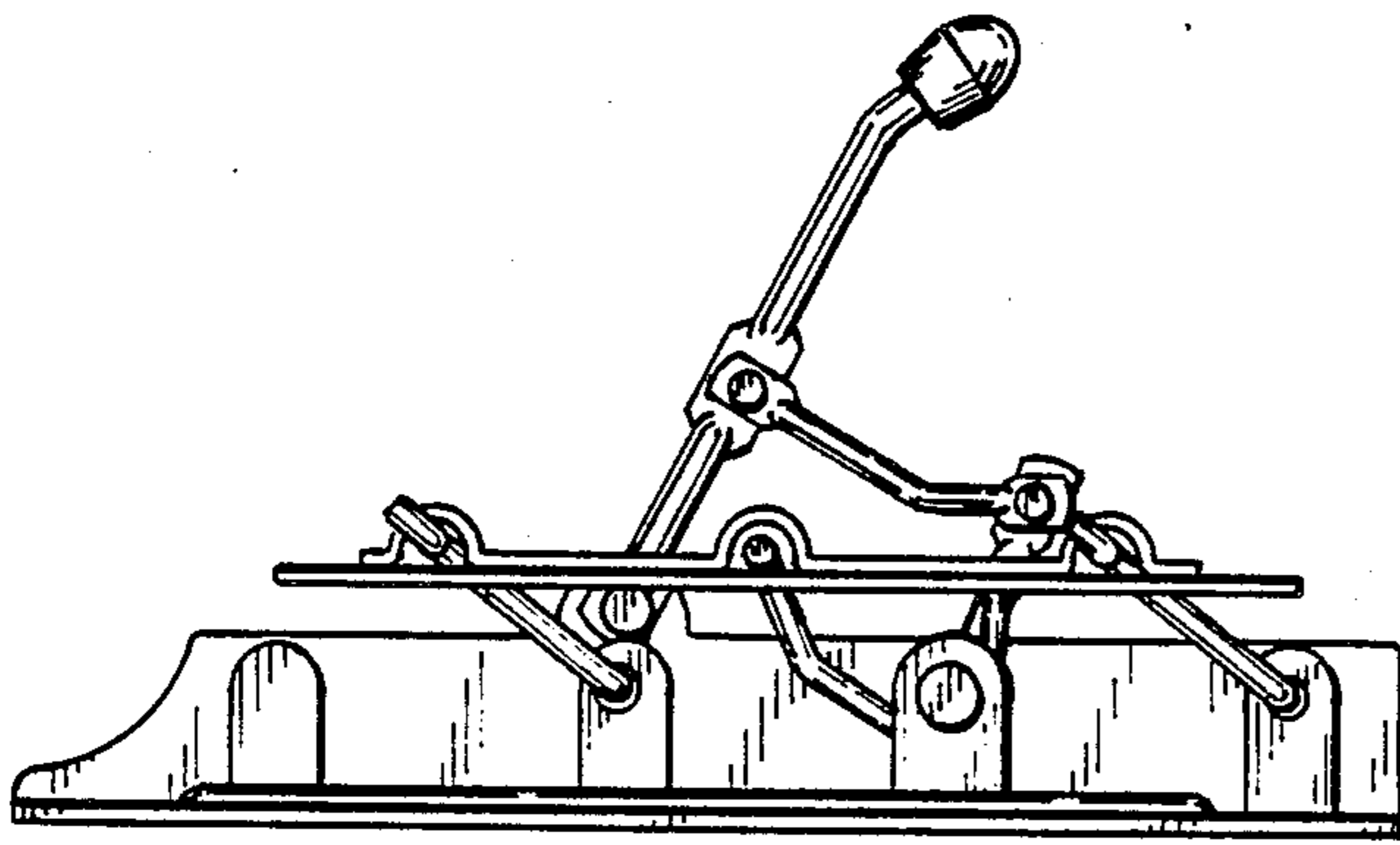


FIG. 2

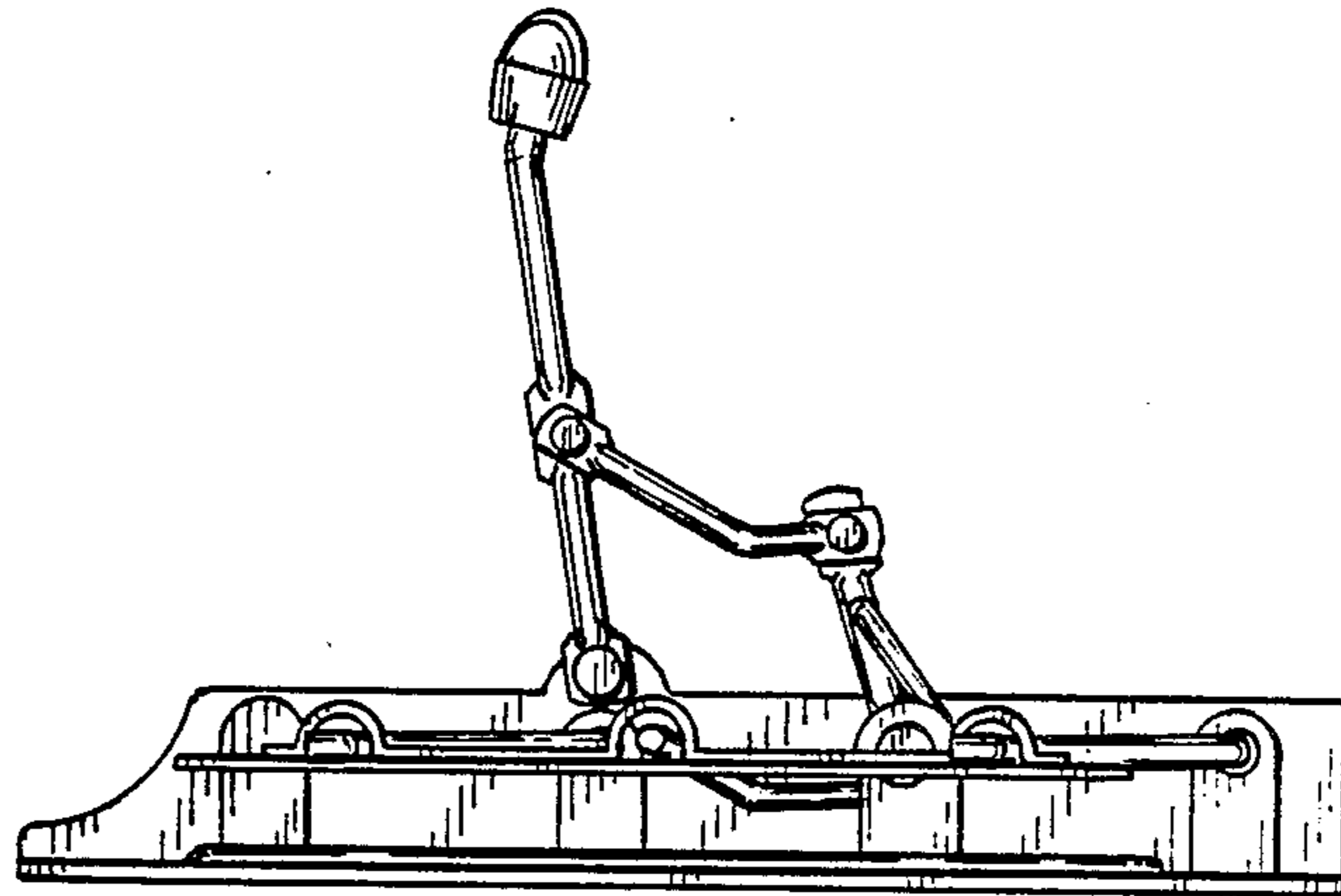


FIG. 3

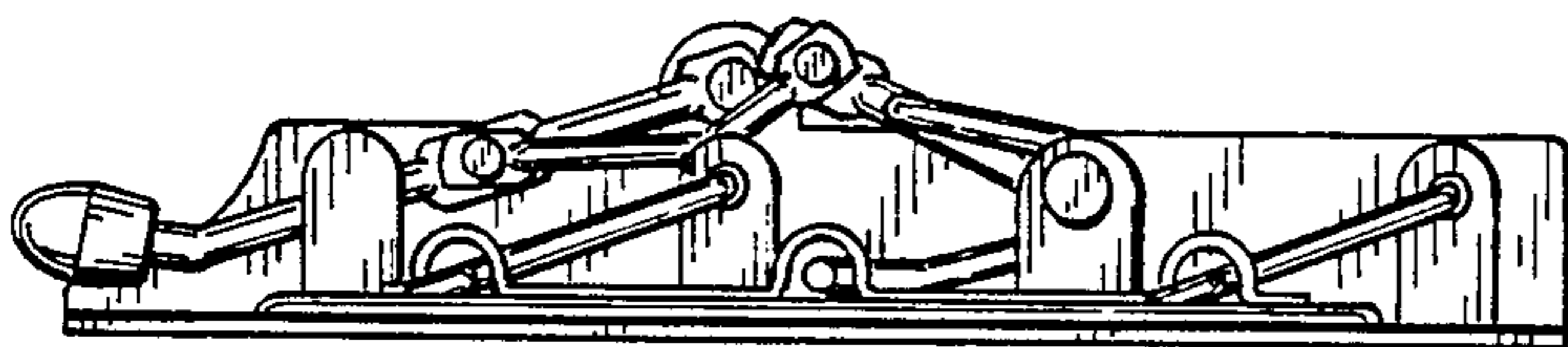


FIG. 4