

United States Patent [19]
Carlmark

[11] **Patent Number: Des. 293,885**

[45] **Date of Patent: ** Jan. 26, 1988**

[54] **CLIP**

[76] **Inventor: Rolf Carlmark, P.O. Box 756,
S-89200 Domsjo, Sweden**

[**] **Term: 14 Years**

[21] **Appl. No.: 753,131**

[22] **Filed: Jul. 9, 1985**

[30] **Foreign Application Priority Data**

Jan. 14, 1985 [SE] Sweden 850066

[52] **U.S. Cl. D8/395**

[58] **Field of Search D8/394, 395; 24/335,
24/336**

[56] **References Cited**

U.S. PATENT DOCUMENTS

D. 159,576 8/1950 Bamford D8/395

D. 205,923 10/1966 McCormick D8/395

D. 256,258 8/1980 Varrin D8/395

1,368,868 2/1921 Wertman D8/395

FOREIGN PATENT DOCUMENTS

0434008 10/1967 Switzerland 24/336

Primary Examiner—B. J. Bullock

Attorney, Agent, or Firm—McFadden, Fincham & Co.

[57] **CLAIM**

The ornamental design for a clip, as shown.

DESCRIPTION

FIG. 1 is a top perspective view of a clip showing my new design;

FIG. 2 is a bottom perspective view thereof;

FIG. 3 is a right side elevational view thereof, the left being a mirror image;

FIG. 4 is a top plan view thereof;

FIG. 5 is a bottom plan view thereof;

FIG. 6 is a front elevational view thereof;

FIG. 7 is a rear elevational view thereof.

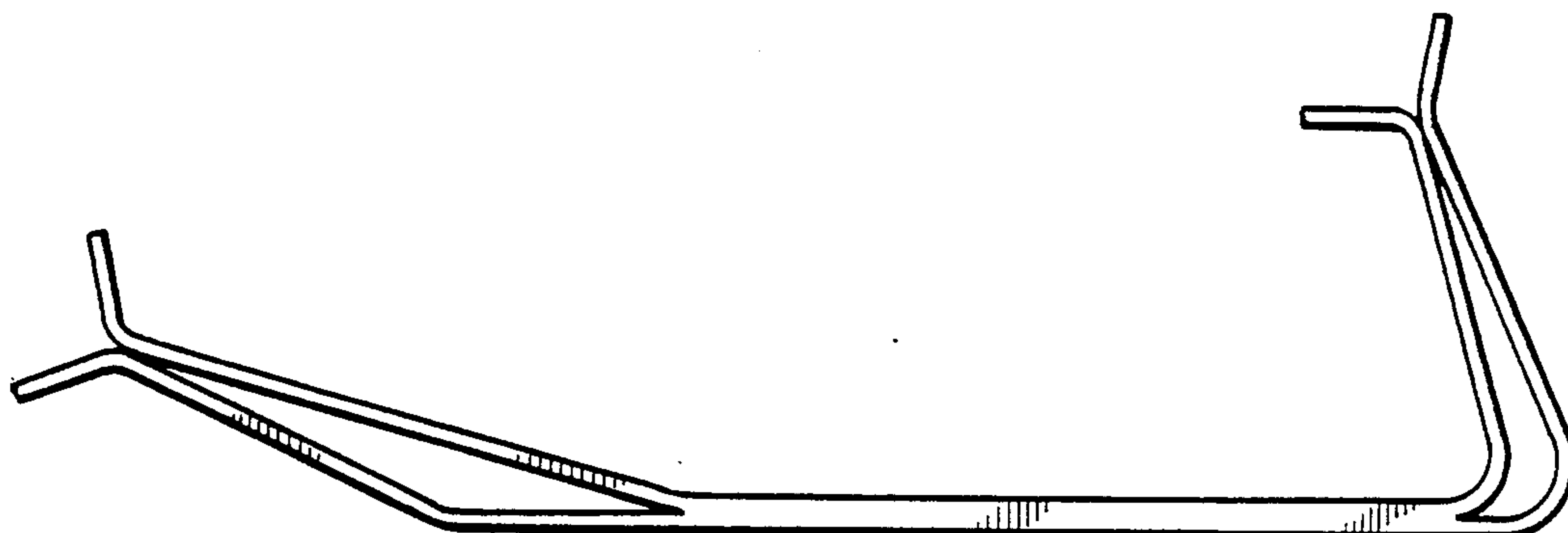
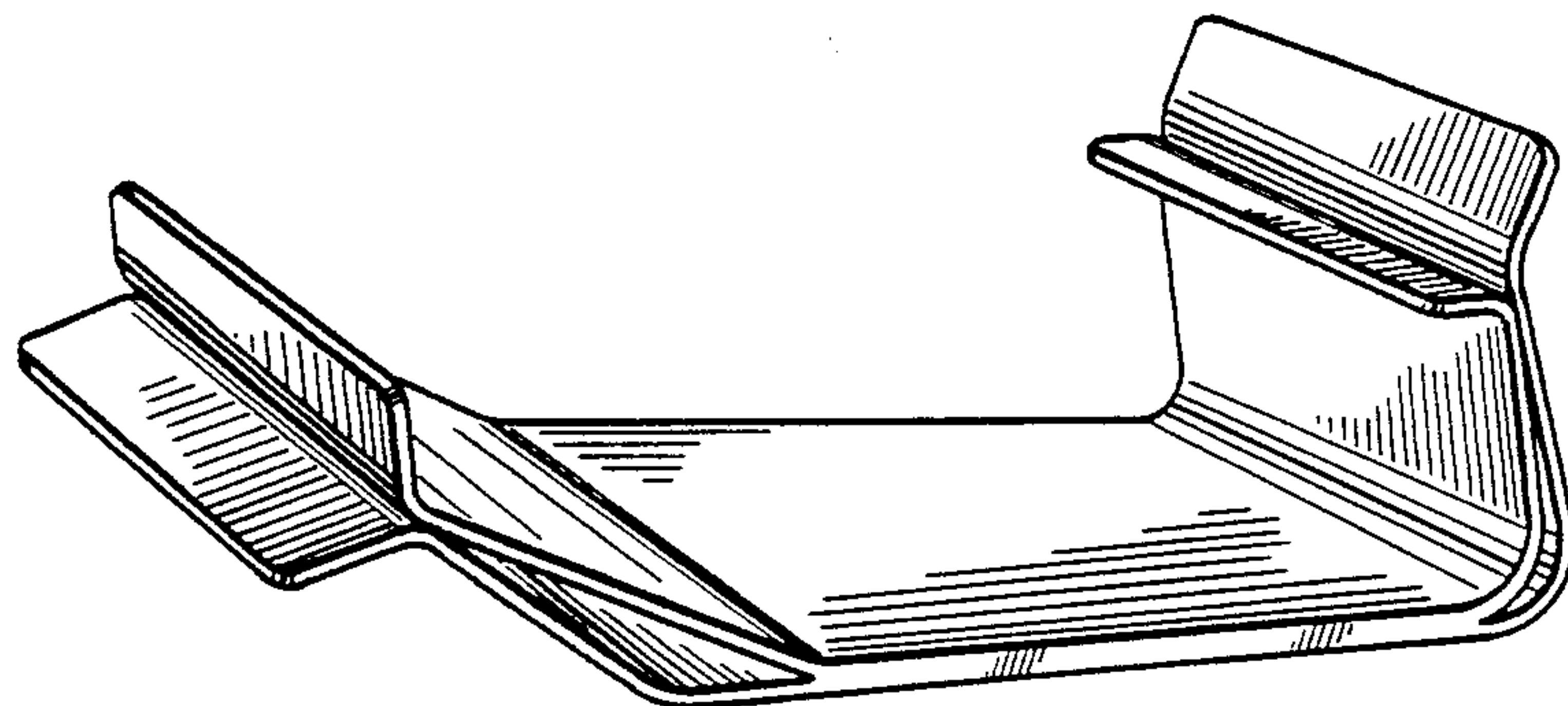


FIG. 1

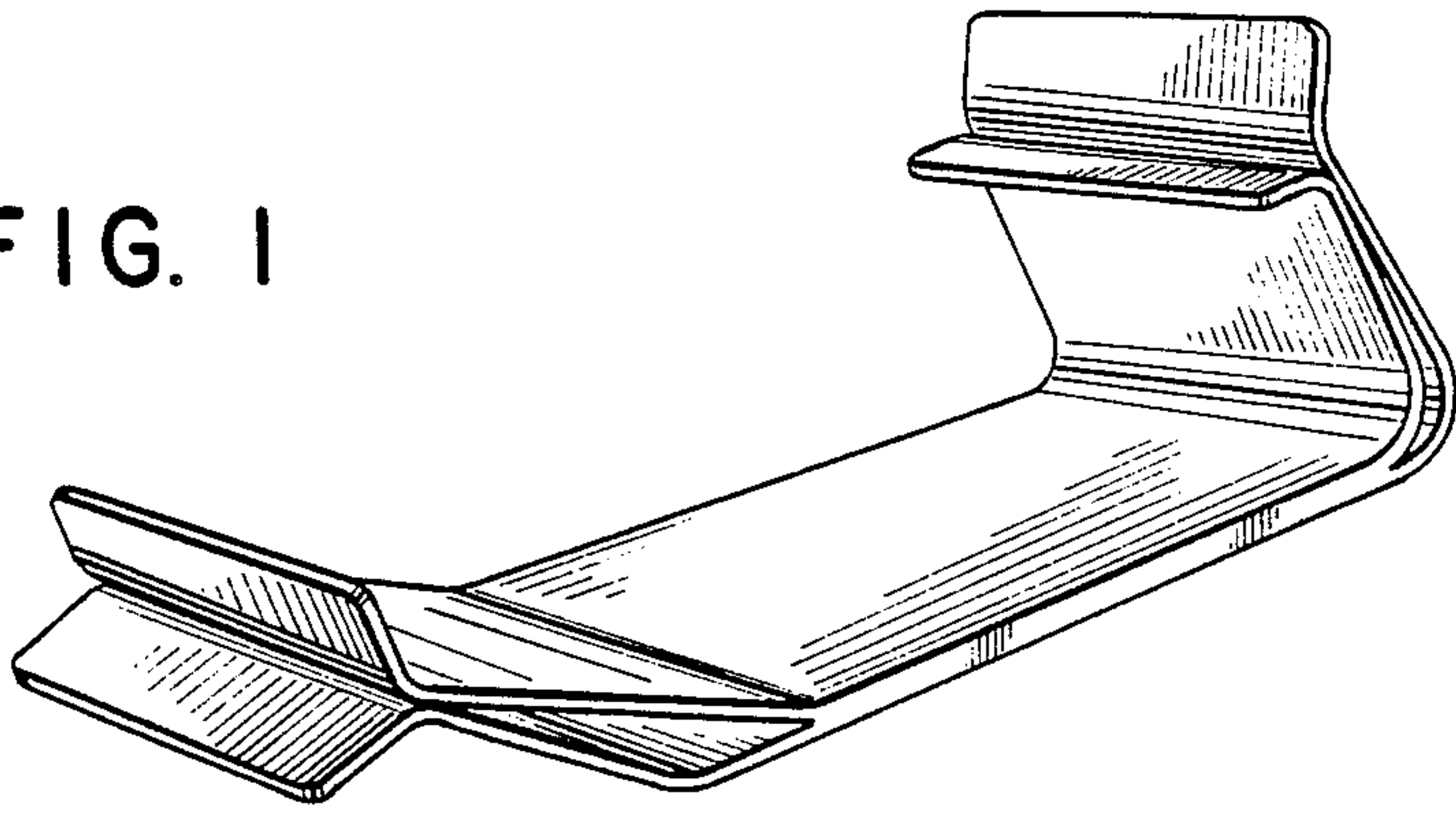


FIG. 2

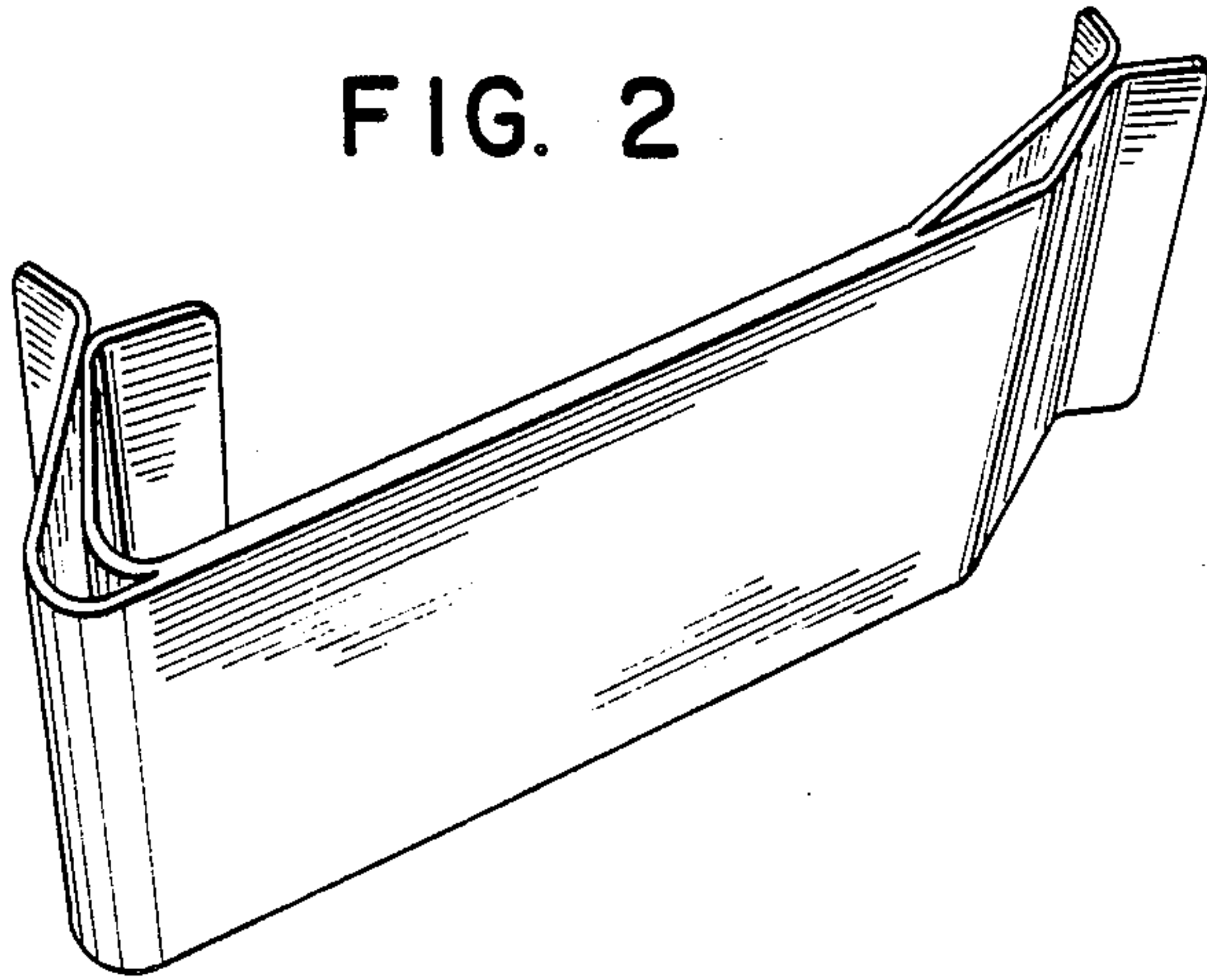


FIG. 3

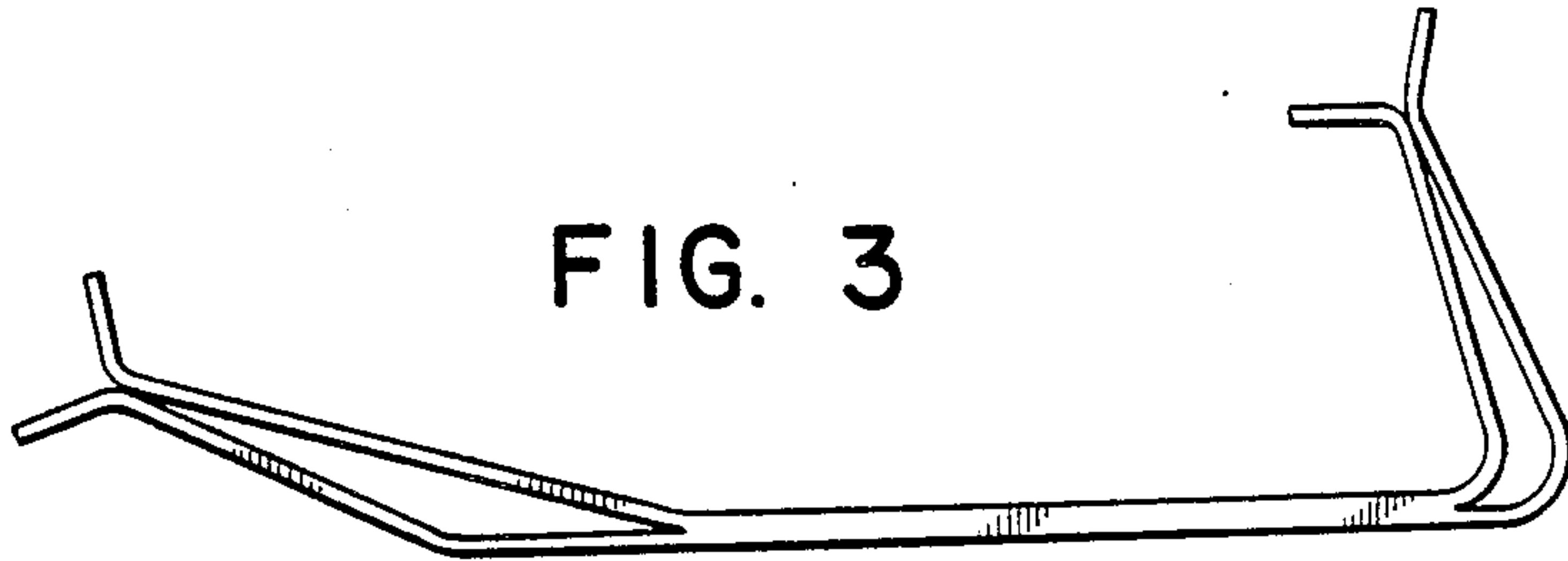


FIG. 4

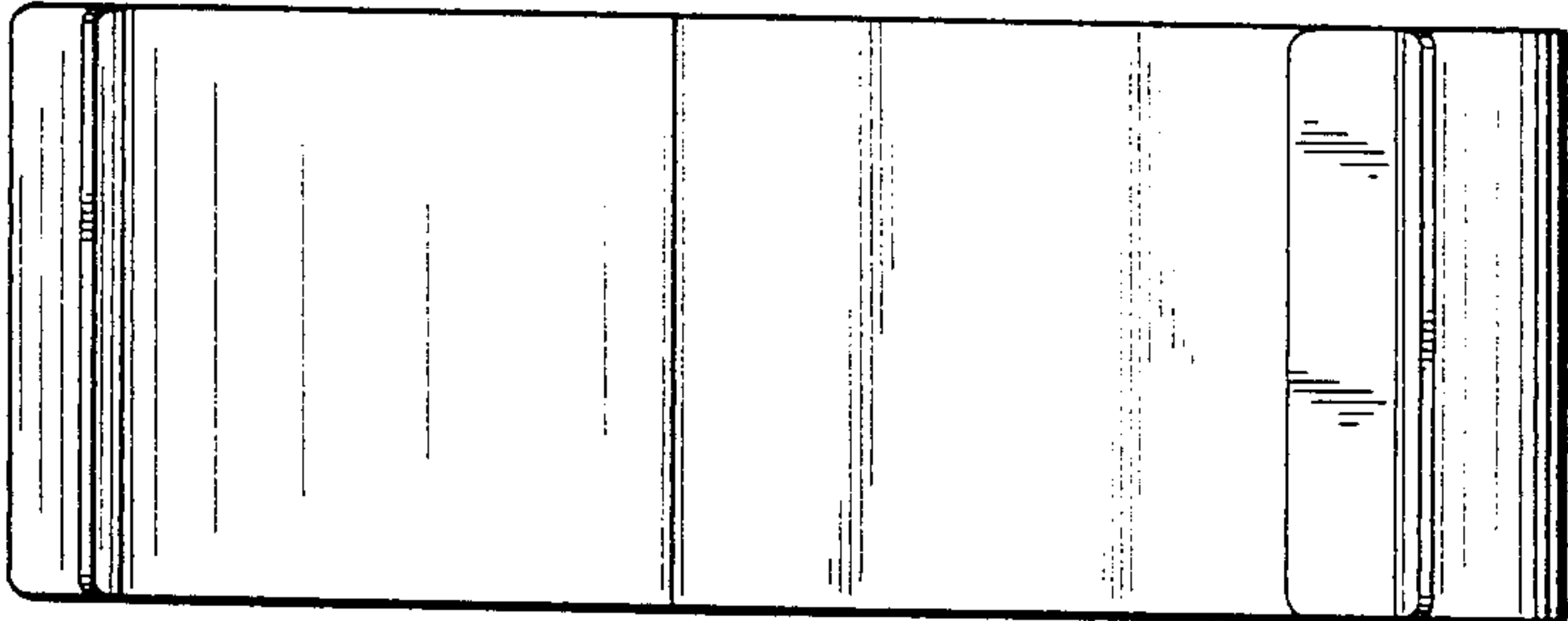


FIG. 5

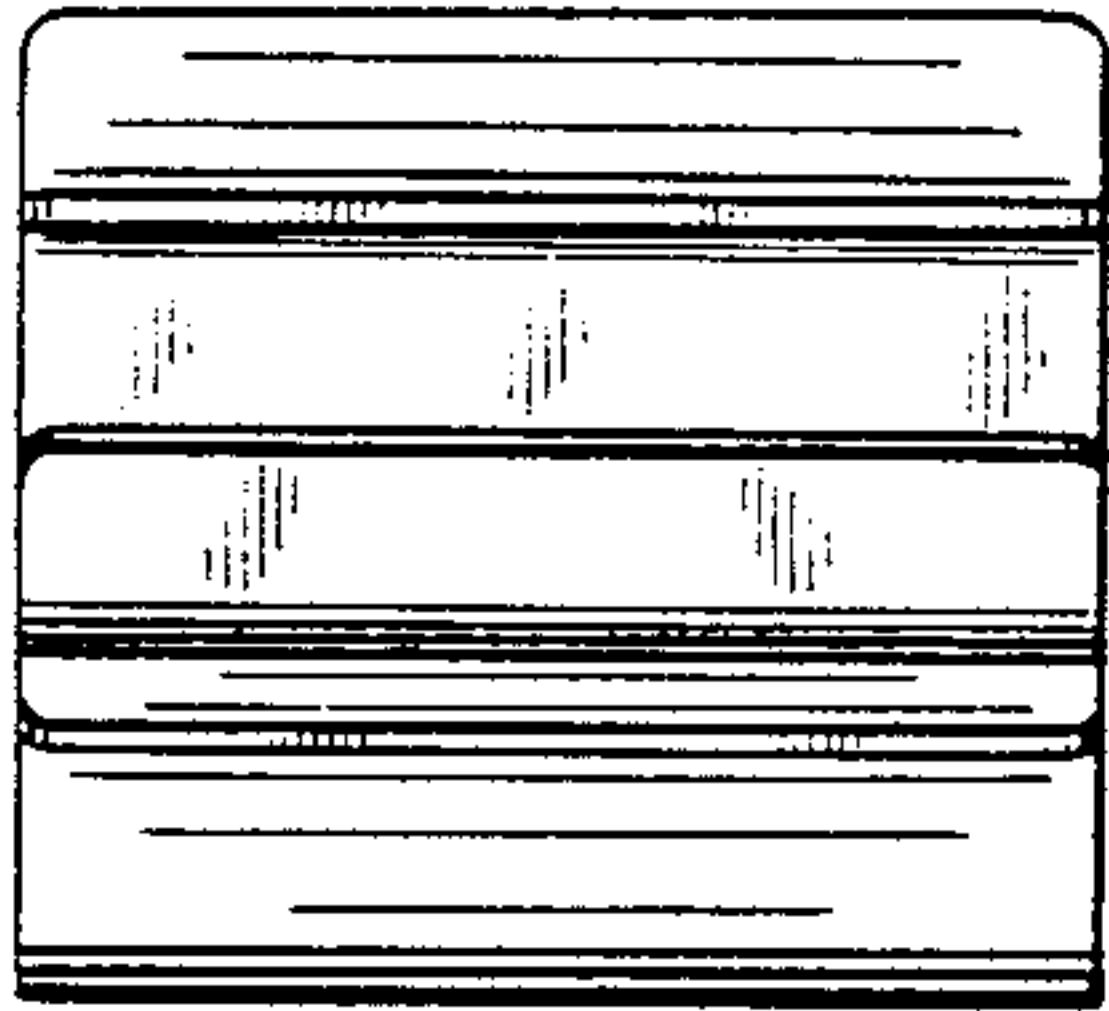
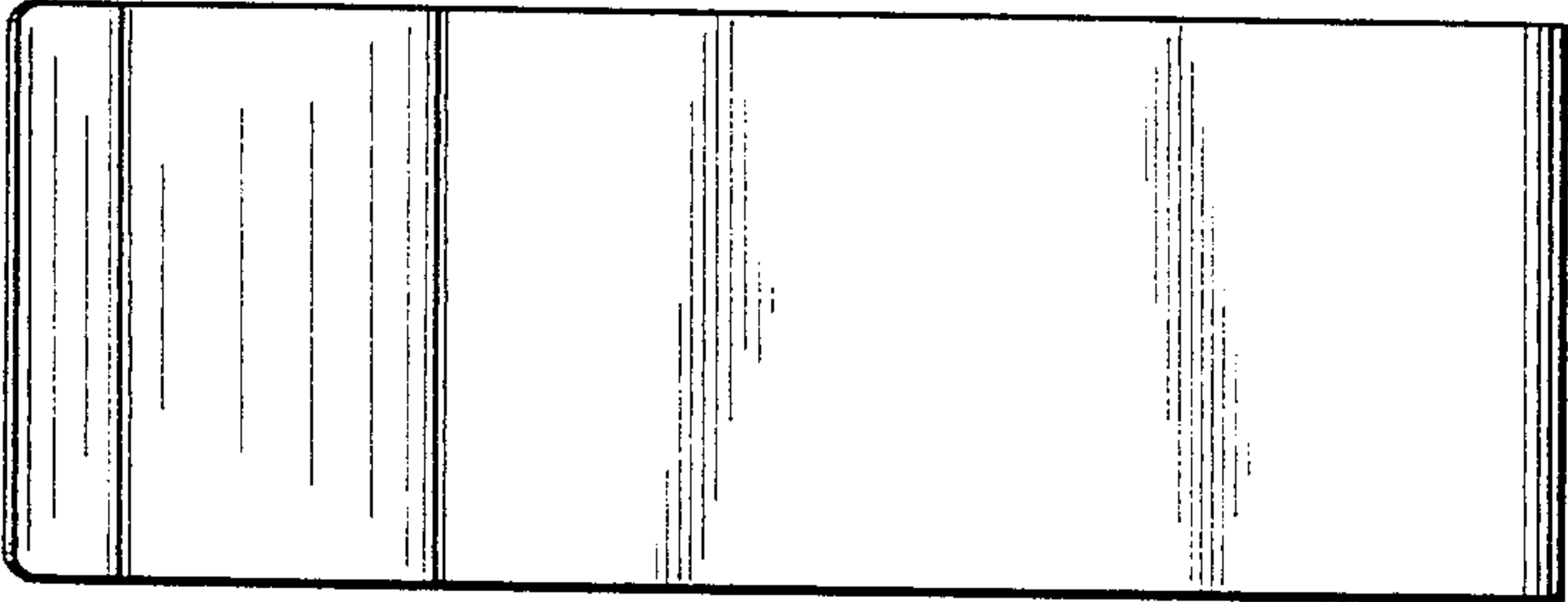


FIG. 6

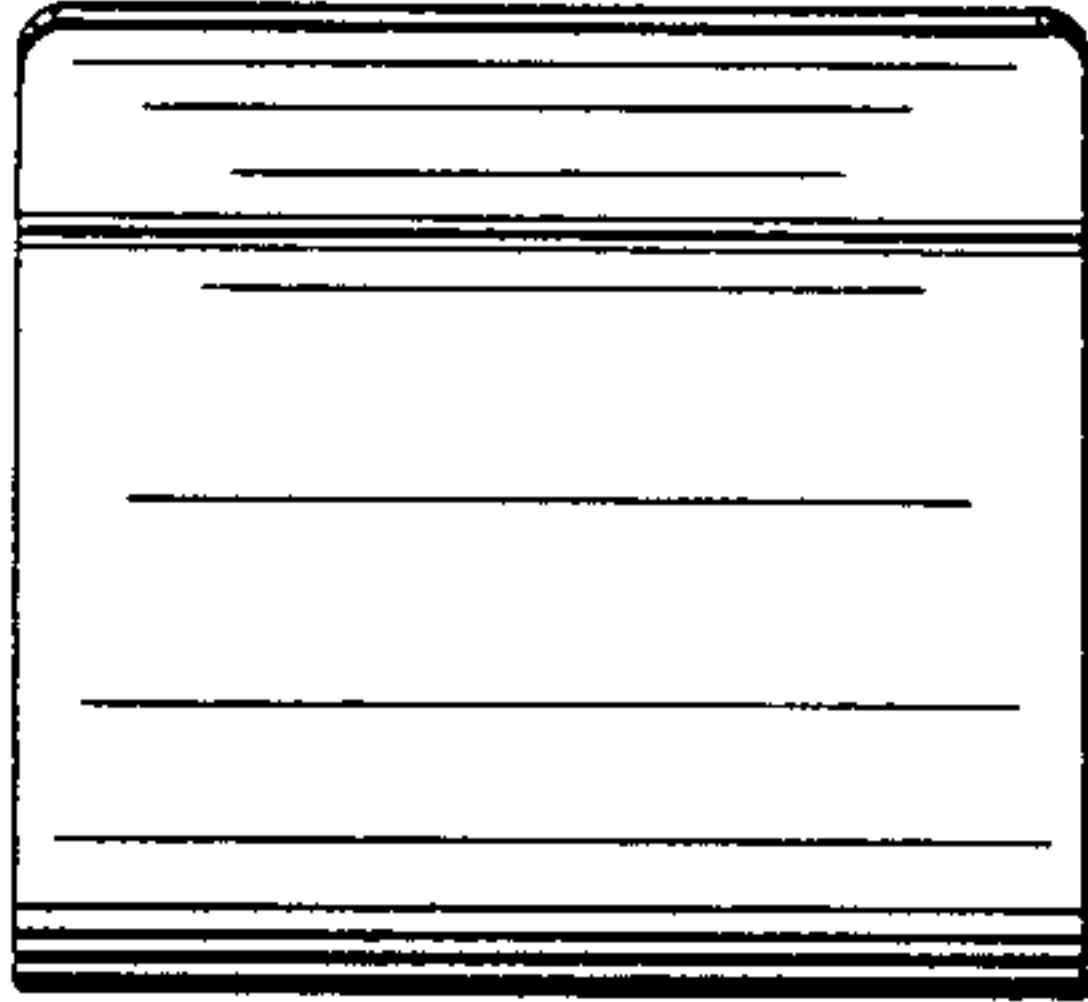


FIG. 7