

[54] **FASTENER OR THE LIKE**
[75] **Inventor: Toshio Hirohata, Yokohama, Japan**
[73] **Assignee: Nifco, Inc., Yokohama, Japan**
[**] **Term: 14 Years**
[21] **Appl. No.: 807,280**
[22] **Filed: Dec. 10, 1985**

[30] **Foreign Application Priority Data**
Jun. 13, 1985 [JP] Japan 60-24573
[52] **U.S. Cl. D8/386; D8/382;
D8/388**
[58] **Field of Search D8/382, 386, 388;
411/500, 501, 508, 509, 510**

[56] **References Cited**
U.S. PATENT DOCUMENTS
D. 232,519 8/1974 Saisho D8/386
D. 268,006 2/1983 Wollar D8/382
D. 273,091 3/1984 Kurosaki D8/382

D. 284,934 8/1986 Okawa D8/386
3,412,437 11/1968 Bennett 411/509
3,577,603 5/1971 Seckerson et al. 411/510
4,261,243 4/1981 Palmer 411/510

Primary Examiner—B. J. Bullock
Attorney, Agent, or Firm—Trexler, Bushnell, Giangiorgi
& Blackstone, Ltd.

[57] **CLAIM**

The ornamental design for a fastener or the like, as shown and described.

DESCRIPTION

FIG. 1 is a top and left front perspective view of a fastener or the like, showing my new design;
FIG. 2 is a front elevational view thereof, the rear being identical;
FIG. 3 is a bottom plan view thereof;
FIG. 4 is a top plan view thereof;
FIG. 5 is a right side elevational view thereof; and
FIG. 6 is a cross-sectional view taken in the direction of the arrows on line VI—VI of FIG. 2.

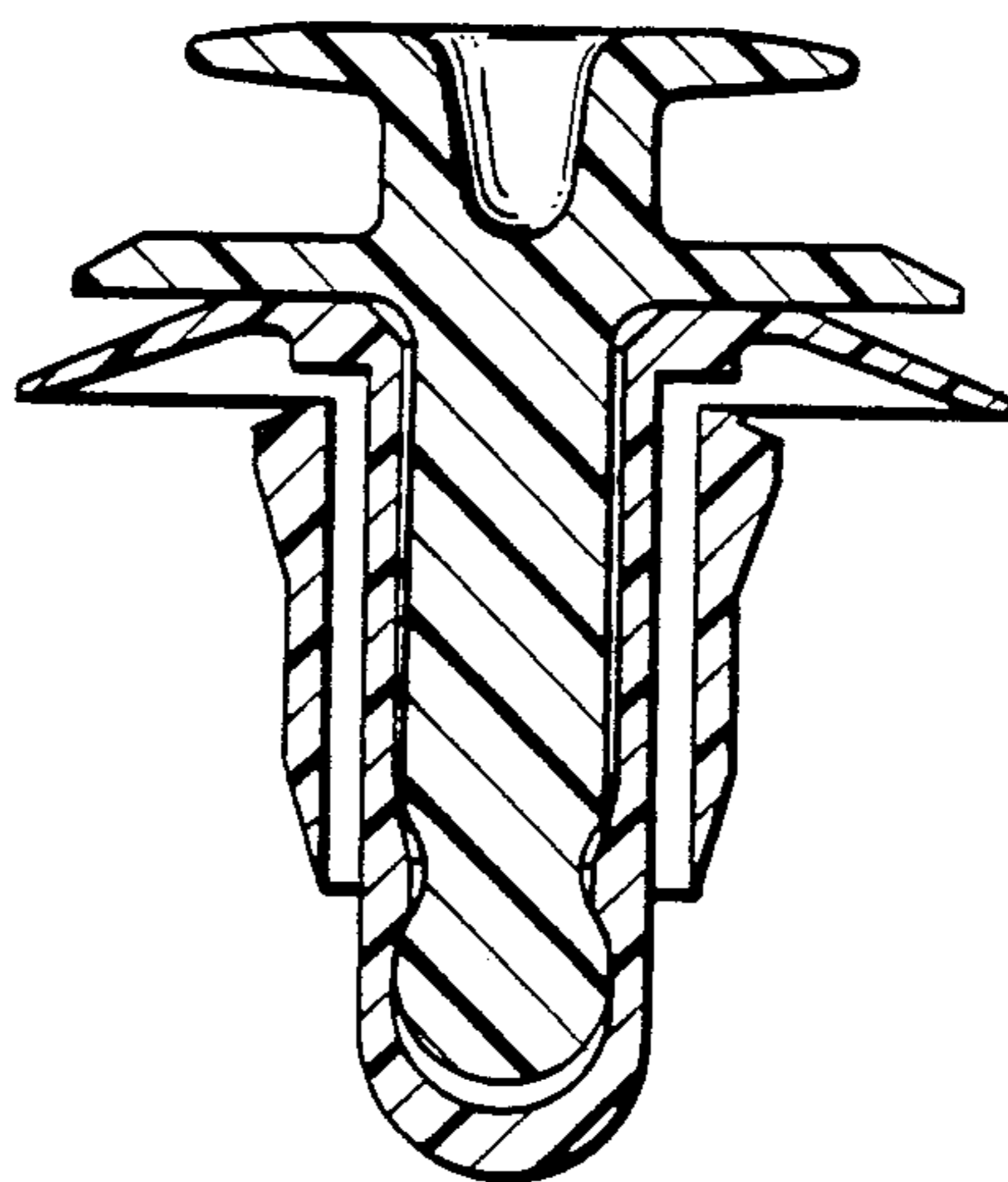


FIG. 1

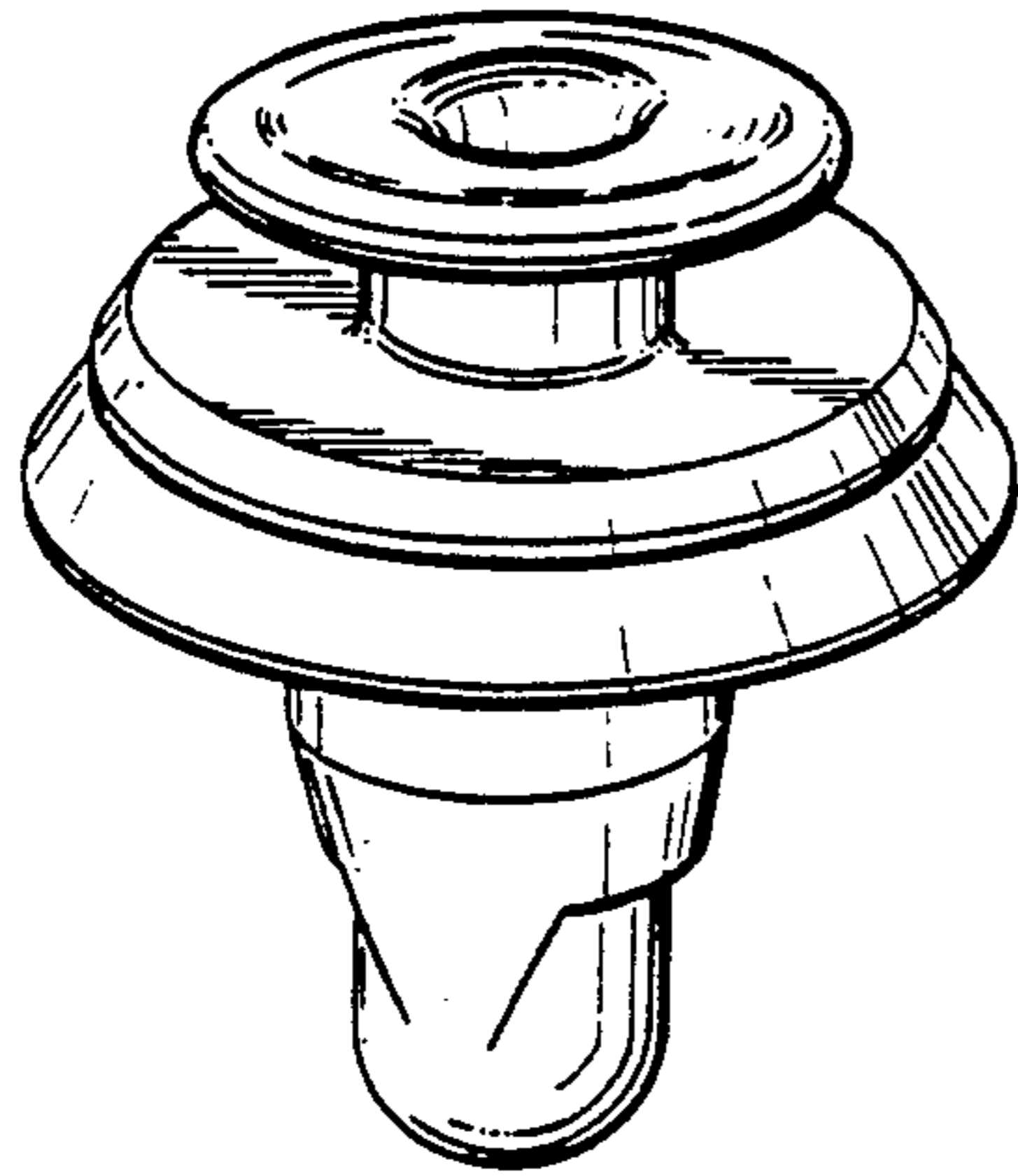
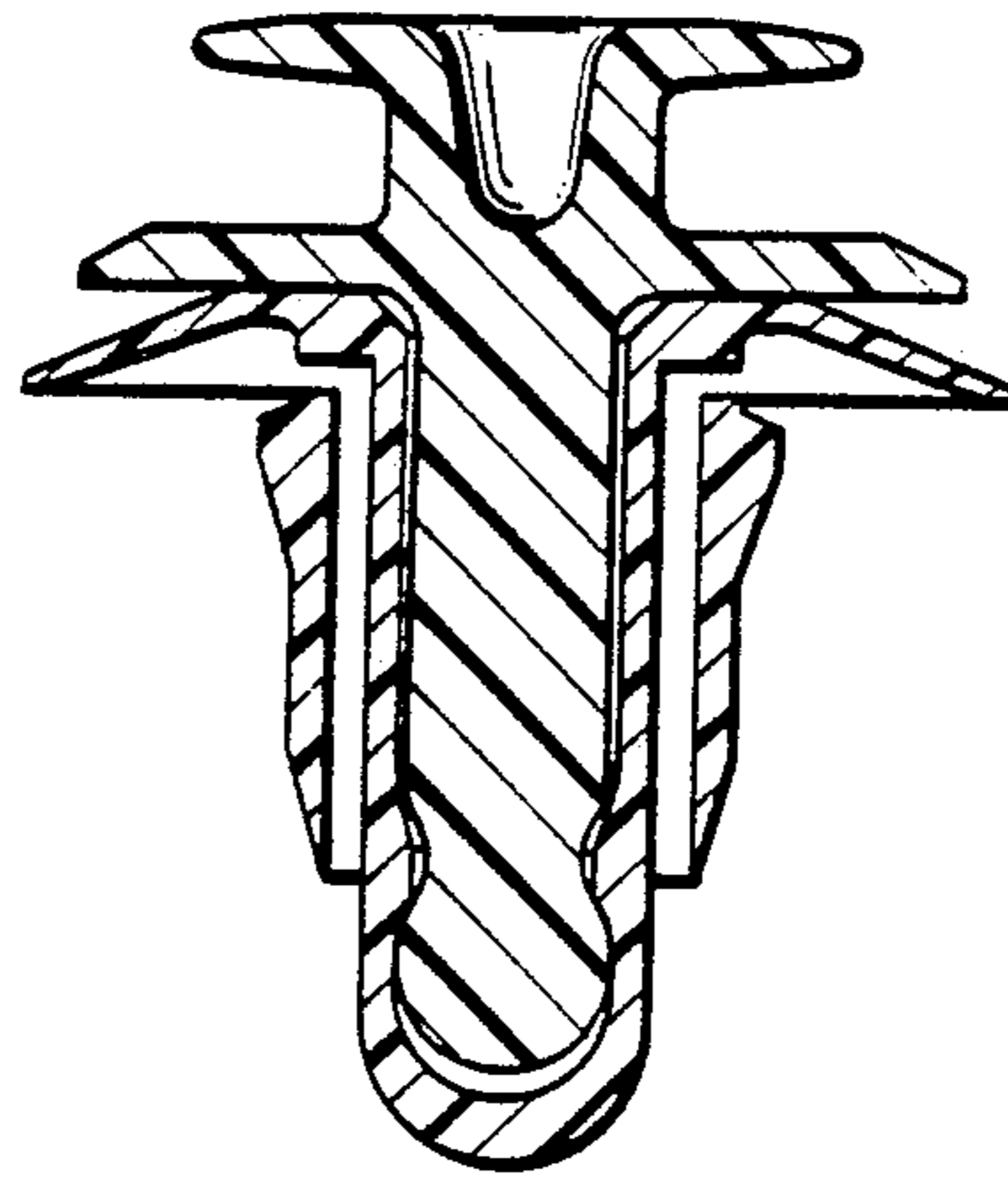


FIG. 6



VI ← FIG. 2

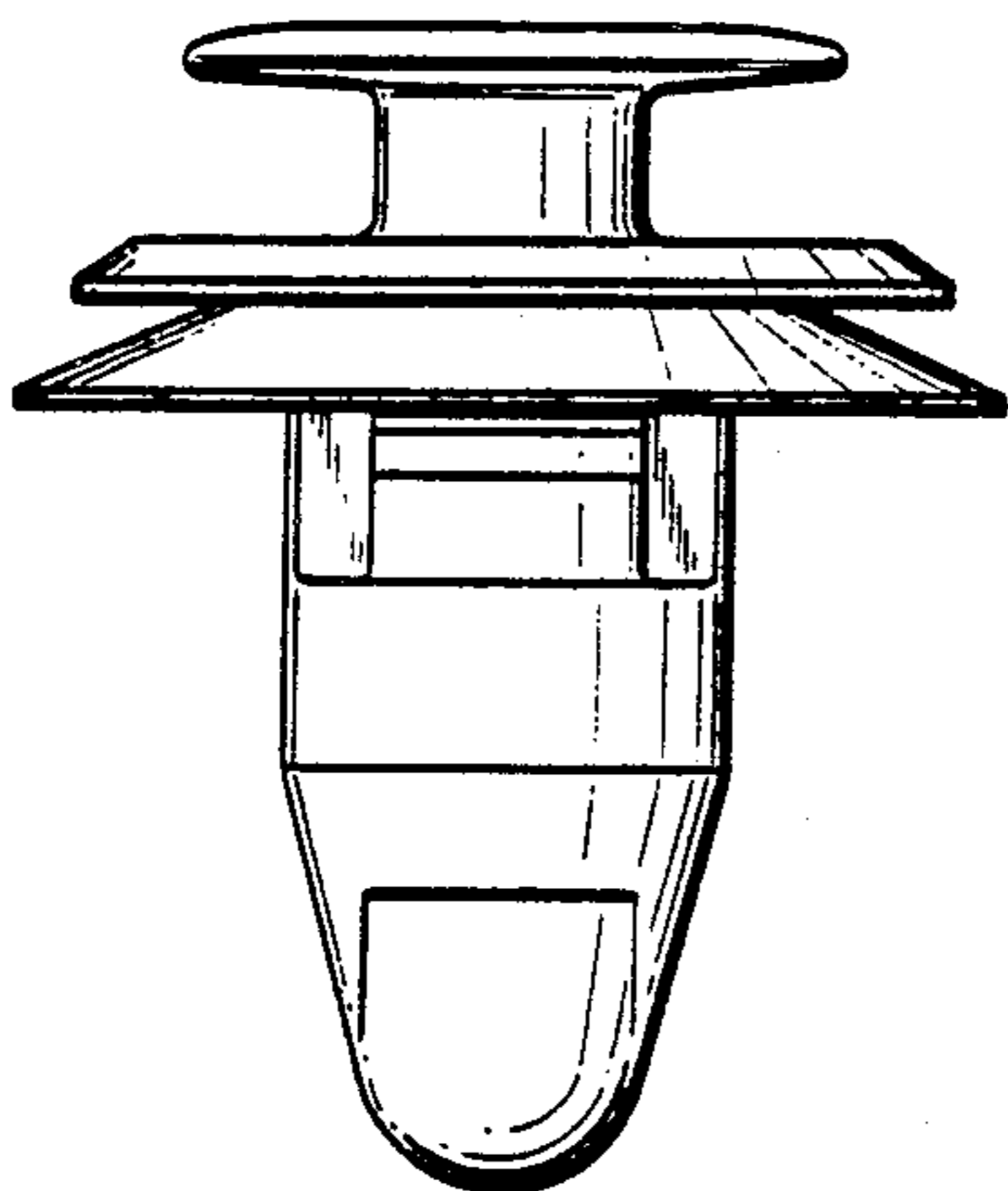
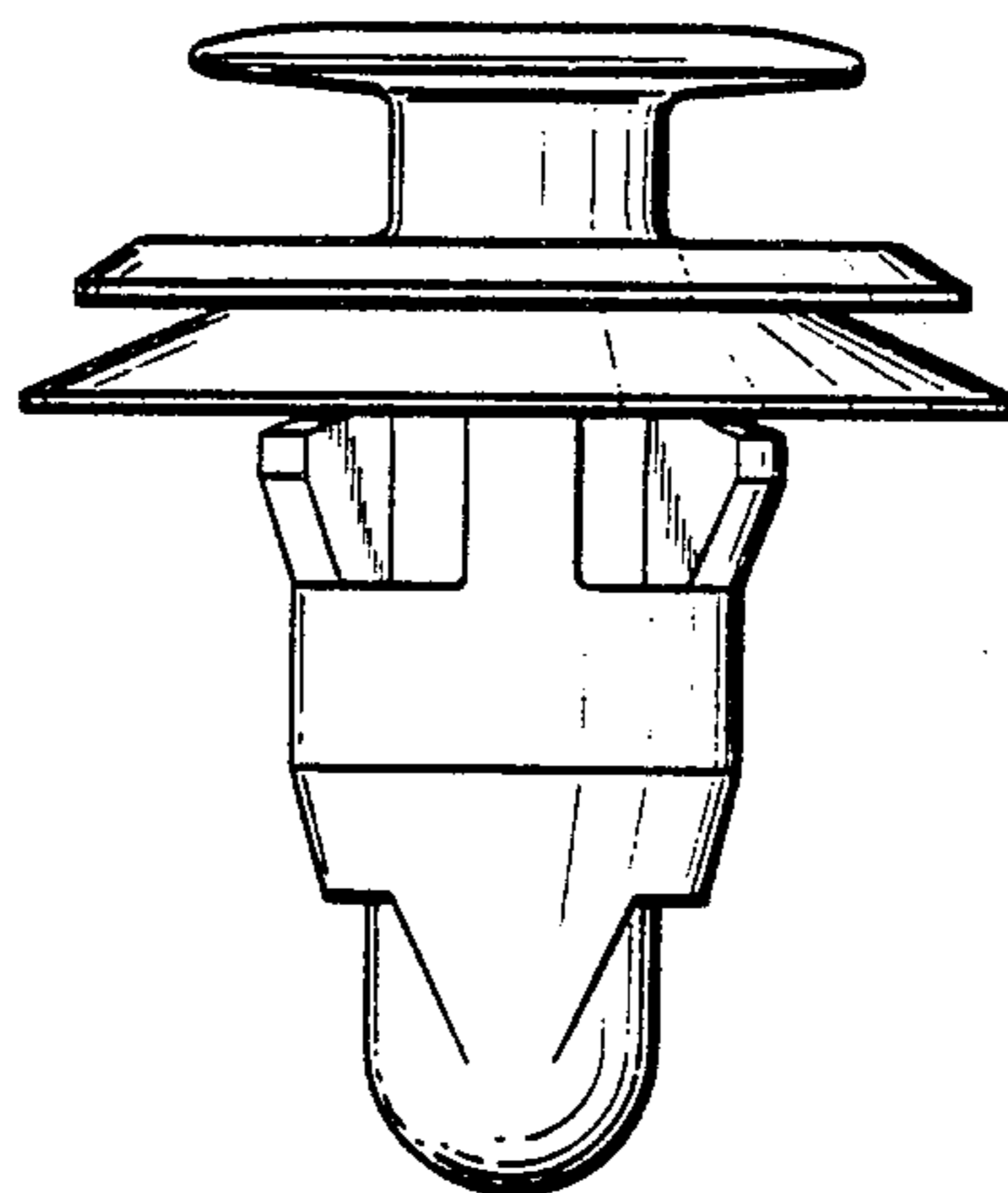


FIG. 5



VI ←

FIG. 3

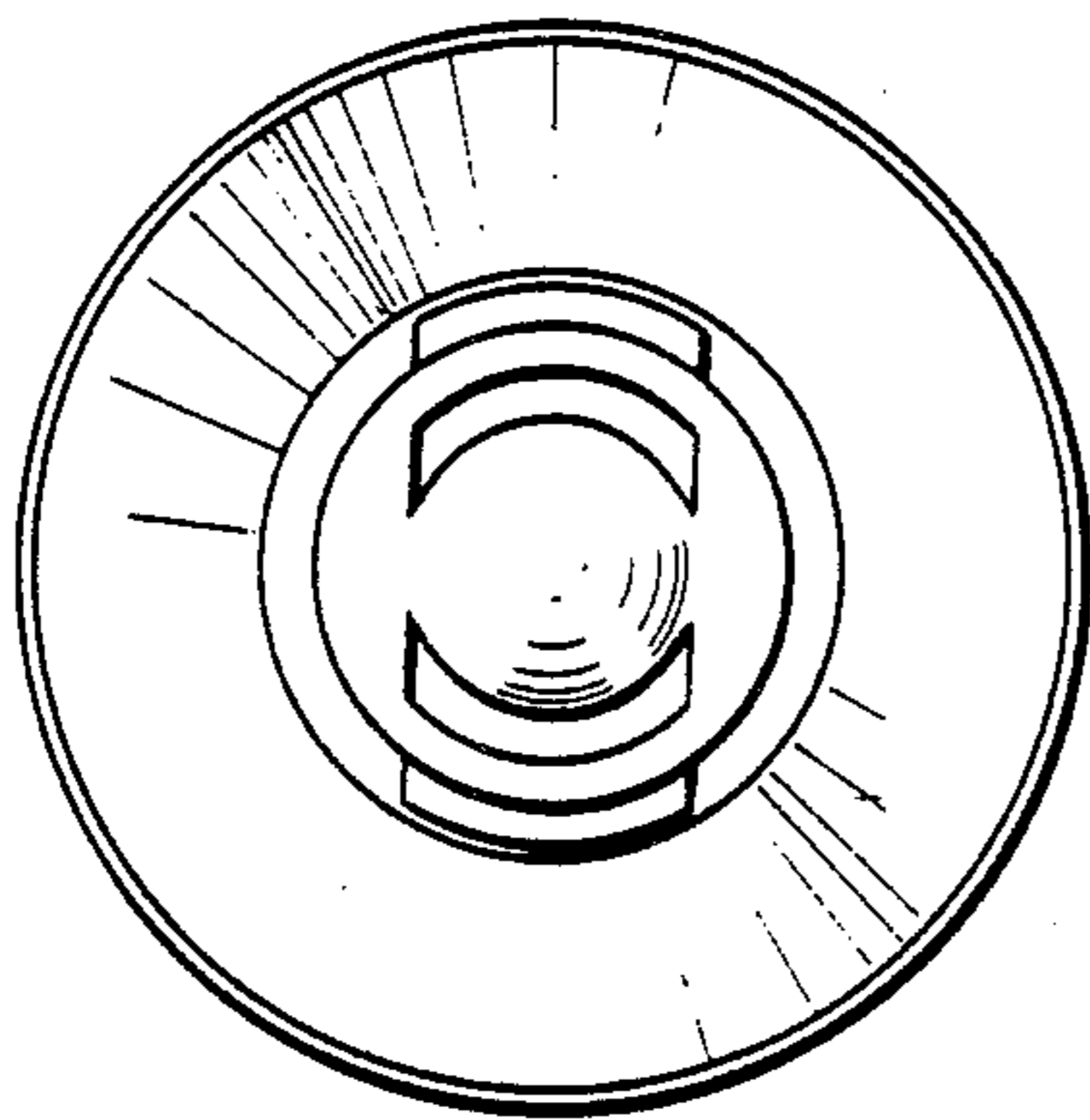


FIG. 4

