

[54] FASTENER OR THE LIKE

[75] Inventor: Toshio Hirohata, Yokohama, Japan

[73] Assignee: Nifco, Inc., Yokohama, Japan

[\*\*] Term: 14 Years

[21] Appl. No.: 807,338

[22] Filed: Dec. 10, 1985

[30] Foreign Application Priority Data

Jun. 13, 1985 [JP] Japan ..... 60-24572

[52] U.S. Cl. .... D8/386; D8/382; D8/388

[58] Field of Search ..... D8/382, 386, 388; 411/500, 501, 508, 509, 510

[56] References Cited

U.S. PATENT DOCUMENTS

- D. 232,519 8/1974 Saisho ..... D8/386
- D. 268,006 2/1983 Wollar ..... D8/382
- D. 273,091 3/1984 Kurosaki ..... D8/382

- D. 284,934 8/1986 Okawa ..... D8/386
- 3,412,437 11/1968 Bennett ..... 411/509
- 3,577,603 5/1971 Seckerson et al. .... 411/510
- 4,261,243 4/1981 Palmer ..... 411/510

Primary Examiner—B. J. Bullock  
Attorney, Agent, or Firm—Trexler, Bushnell, Giangiorgi & Blackstone, Ltd.

[57] CLAIM

The ornamental design for a fastener or the like, as shown and described.

DESCRIPTION

FIG. 1 is a top and left front perspective view of a fastener or the like, showing my new design;  
 FIG. 2 is a front elevational view thereof, the rear being identical;  
 FIG. 3 is a bottom plan view thereof;  
 FIG. 4 is a top plan view thereof;  
 FIG. 5 is a right side elevational view thereof; and  
 FIG. 6 is a cross-sectional view taken in the direction of the arrows on line VI—VI of FIG. 2.

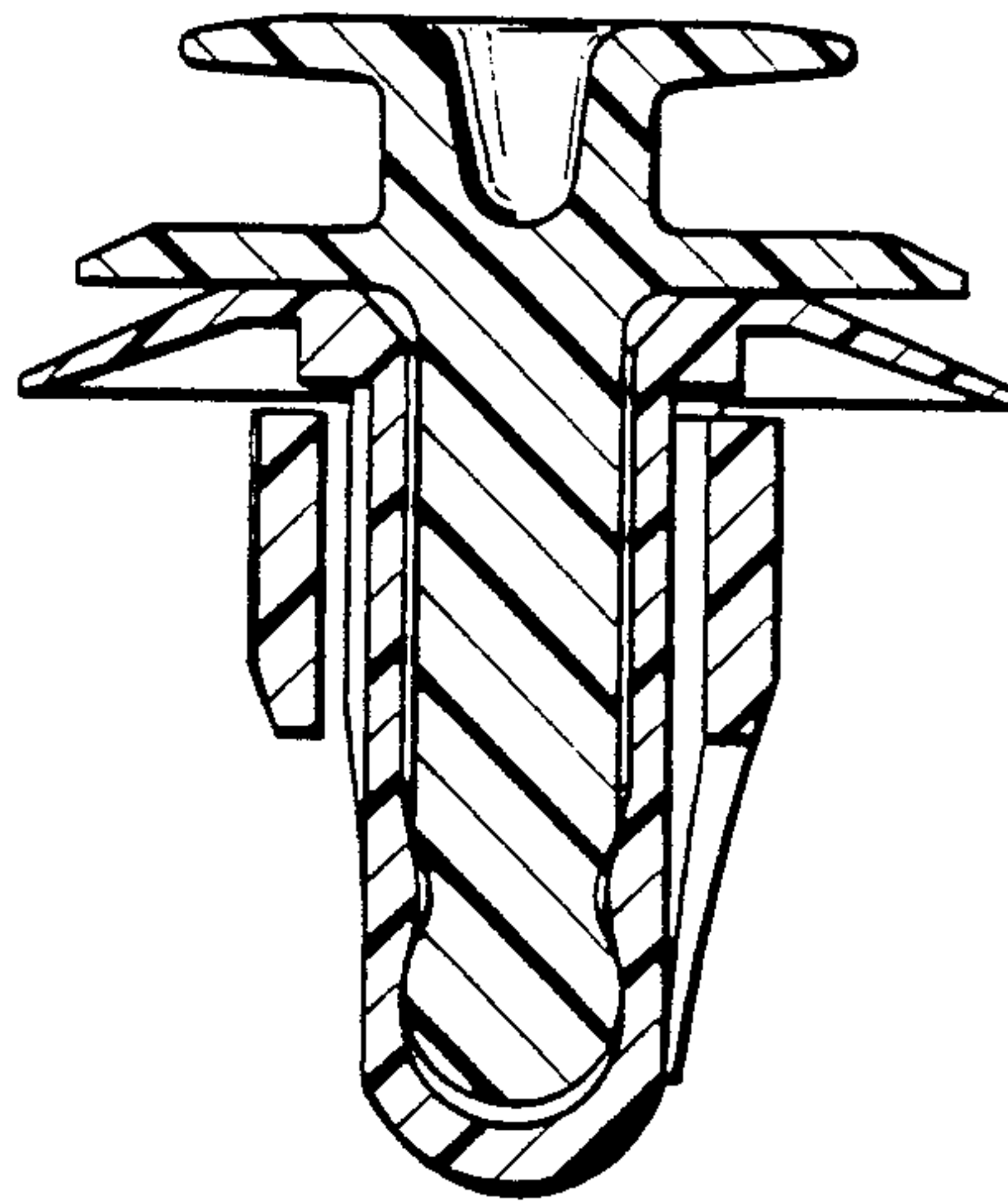
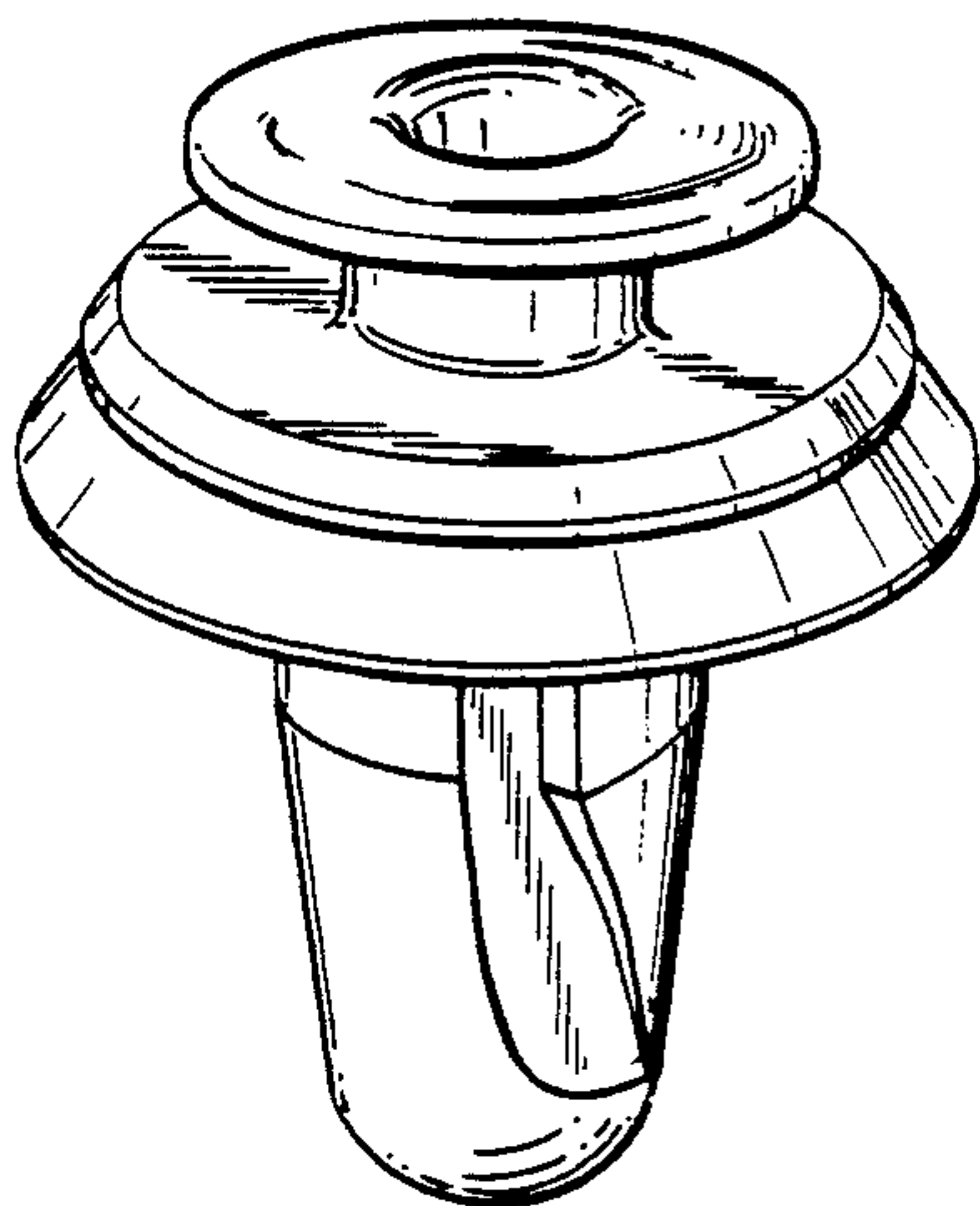


FIG. 1

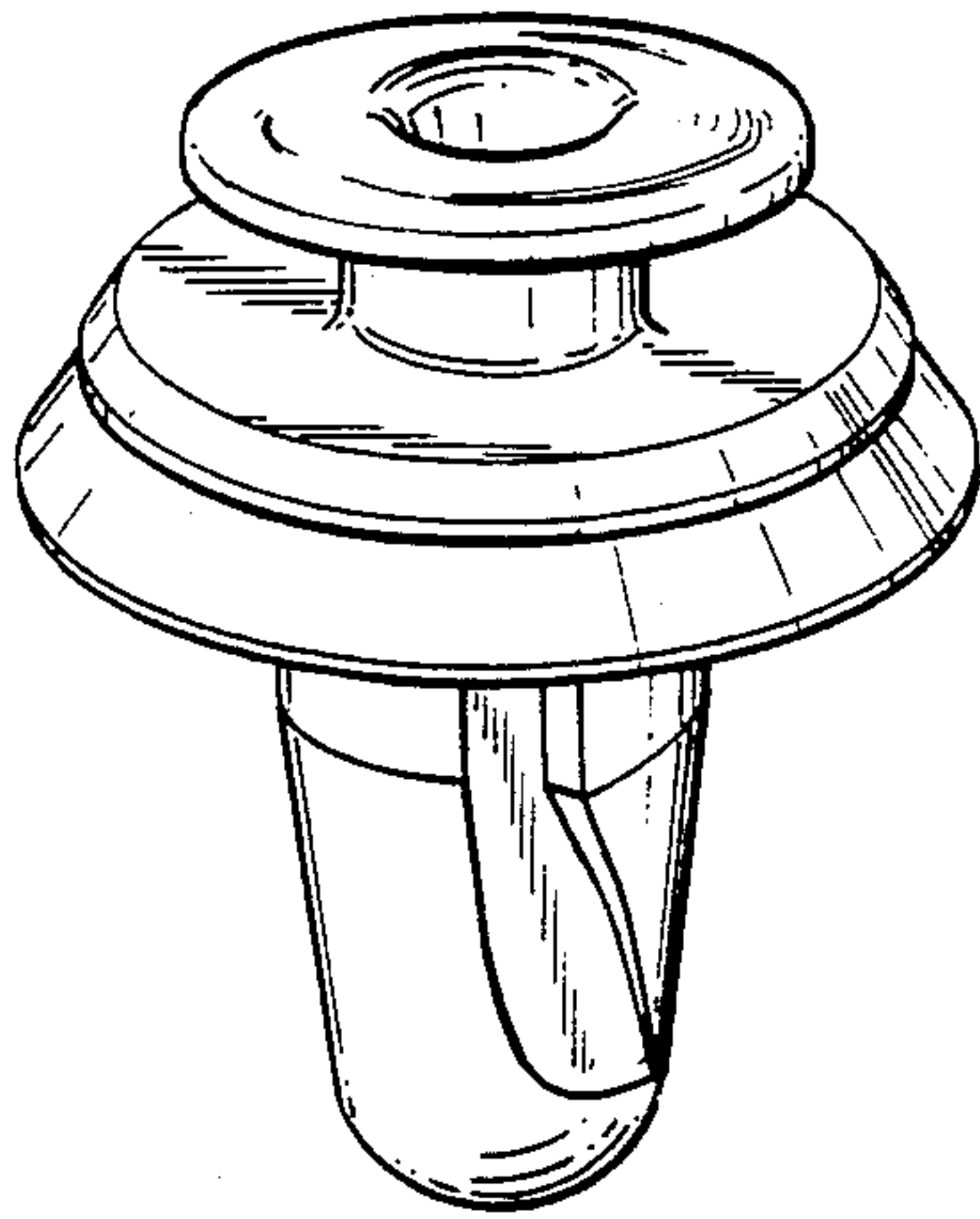
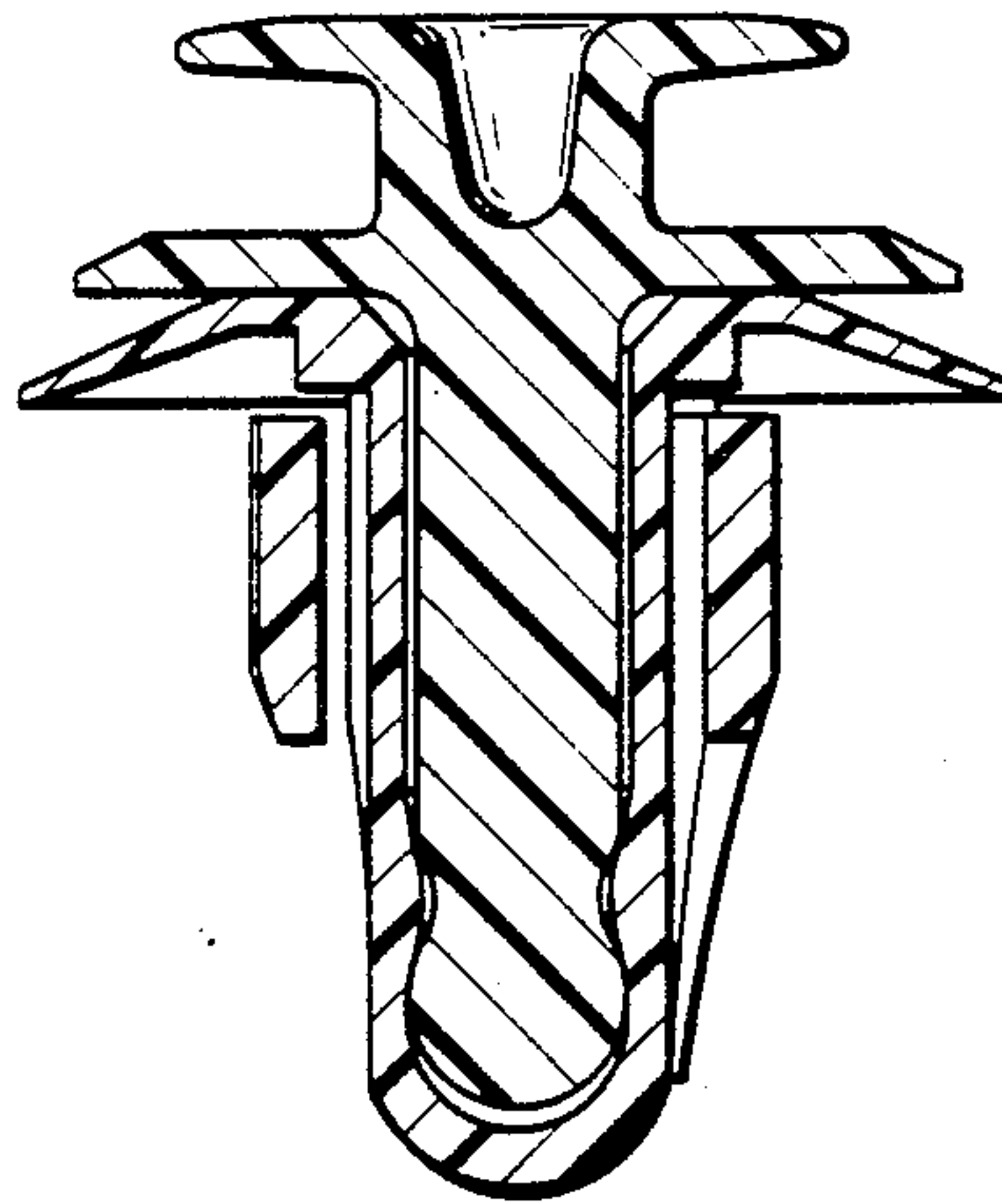


FIG. 6



VI ← FIG. 2

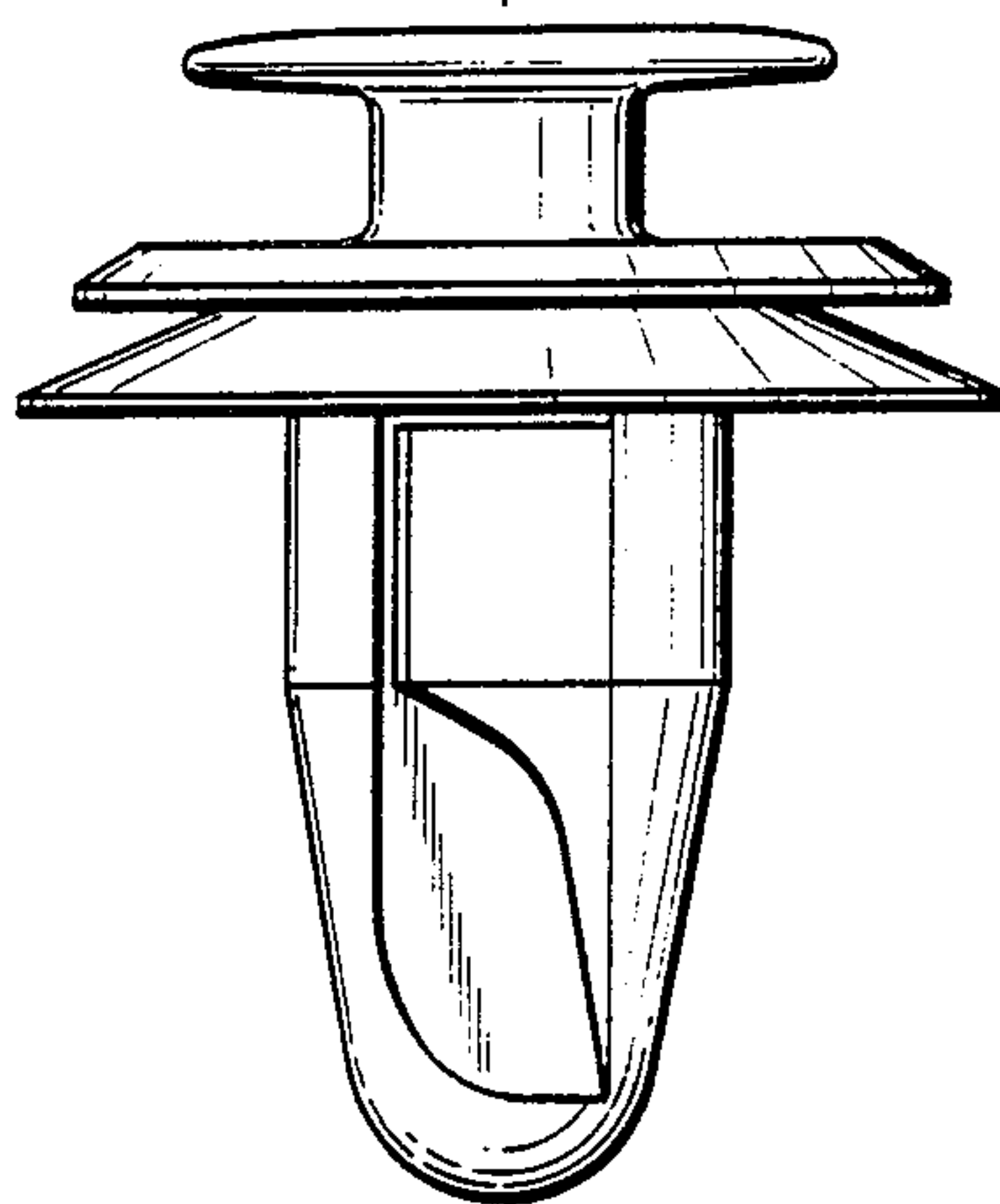
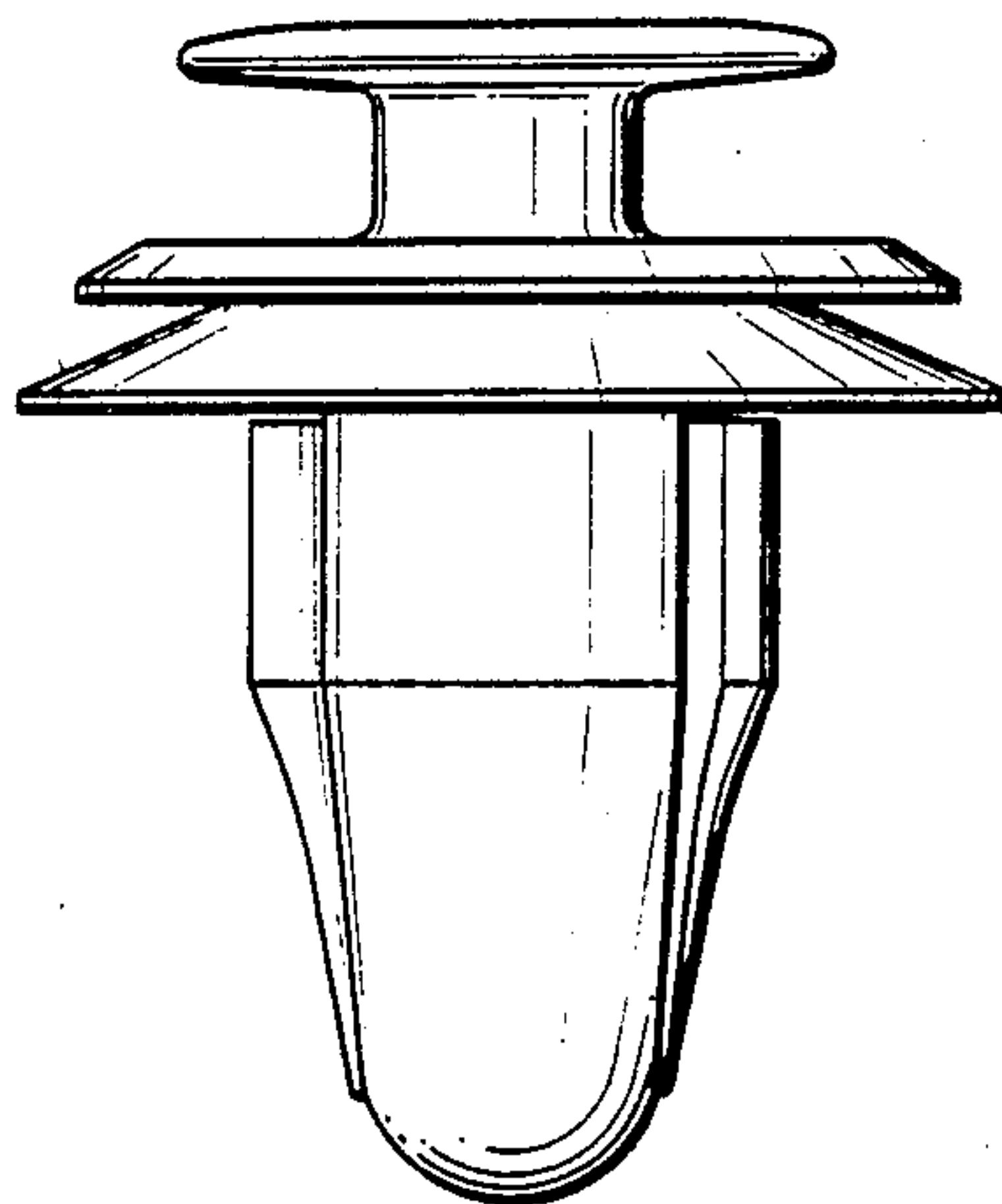


FIG. 5



VI ← FIG. 3

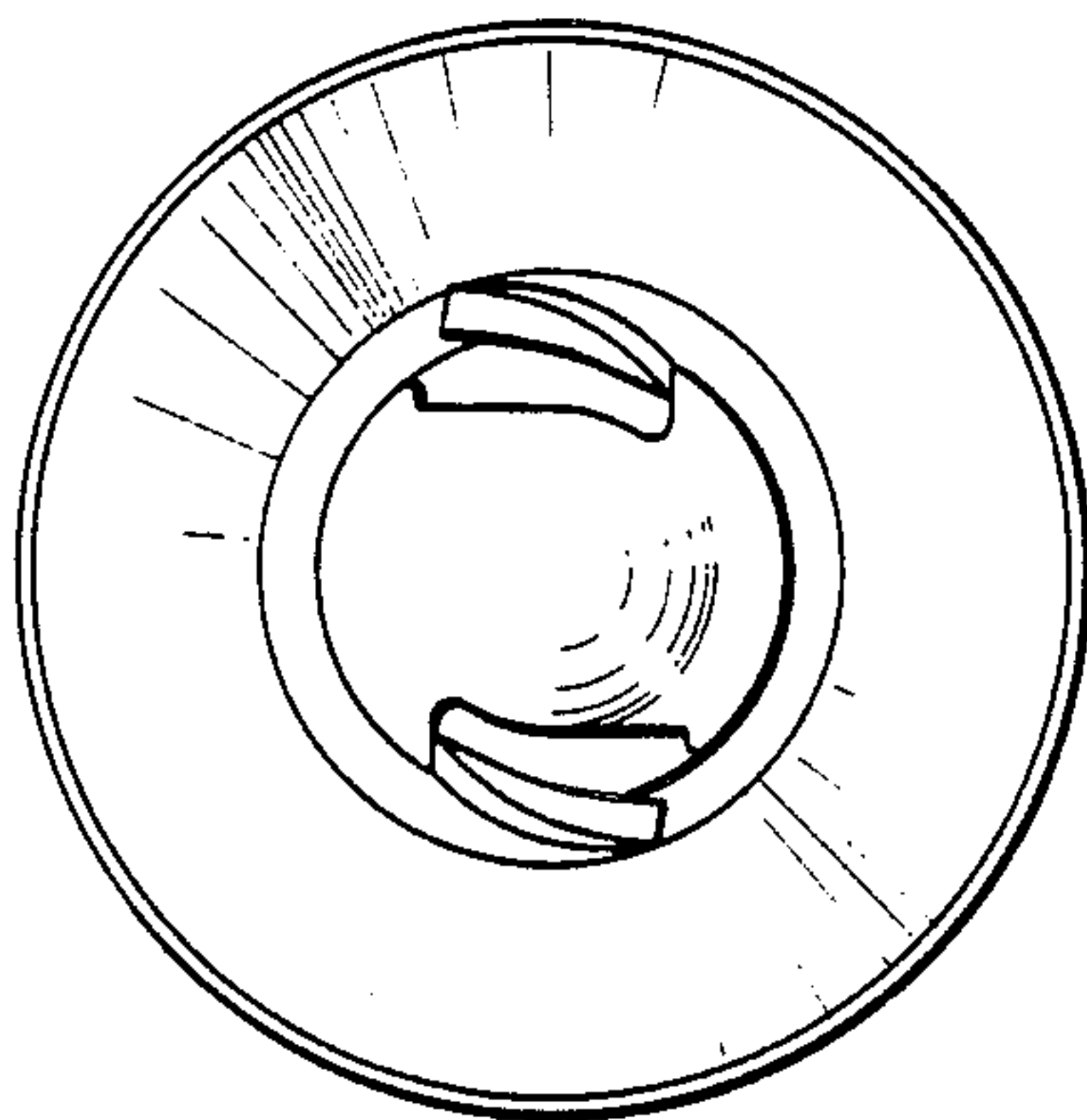


FIG. 4

