

United States Patent [19]

Takahashi

[11] Patent Number: Des. 293,880

[45] Date of Patent: ** Jan. 26, 1988

[54] **SPACER AND SECURING UNIT**

[75] Inventor: **Katsumasa Takahashi**, Nagoya, Japan

[73] Assignee: **Kitagawa Industries Co., Ltd.**, Nagoya, Japan

[**] Term: **14 Years**

[21] Appl. No.: **775,270**

[22] Filed: **Sep. 12, 1985**

[30] **Foreign Application Priority Data**

Mar. 13, 1985 [JP] Japan 60-10036

[52] U.S. Cl. **D8/354; 174/138 D; 361/412**

[58] Field of Search **D8/354, 348; D13/99, D13/24; 24/289, 291, 292, 297, 326, 305, 453, 590; 411/508, 509, 510, 554; 174/138 D; 248/73, 221.4, 221.3, 220.2; 361/412, 413; 403/252, 405.1, 167, 168**

[56] **References Cited**

U.S. PATENT DOCUMENTS

2,442,754	6/1948	Beam	174/138 D
3,093,874	6/1963	Rapata	24/297 X
3,119,299	1/1964	Sarafinas	411/508 X
3,494,244	2/1970	Wayland	411/510
4,354,298	10/1982	Tanaka et al.	24/291 X
4,495,380	1/1985	Ryan et al.	361/412 X
4,579,478	4/1986	Takahashi	361/412 X

4,629,356 12/1986 Hayashi 174/138 D X

FOREIGN PATENT DOCUMENTS

0001364	1/1977	Japan	411/509
770679	3/1957	United Kingdom	24/453
855945	12/1960	United Kingdom	24/453
2125878	3/1984	United Kingdom	174/138 D
2142377A	1/1985	United Kingdom	403/252

Primary Examiner—Wallace R. Burke
Assistant Examiner—Horace B. Fay
Attorney, Agent, or Firm—Oblon, Fisher, Spivak, McClelland, & Maier

[57] **CLAIM**

The ornamental design for a spacer and securing unit, substantially as shown and described.

DESCRIPTION

FIG. 1 is a front elevational view of a spacer and securing unit showing my new design, the rear elevational view being a mirror image;
FIG. 2 is a bottom plan view;
FIG. 3 is a right side elevational view thereof;
FIG. 4 is a top plan view thereof;
FIG. 5 is a left side elevational view thereof;
FIG. 6 is a sectional view thereof taken on line 6—6 of FIG. 1;
FIG. 7 is a sectional view thereof taken on line 7—7 of FIG. 1; and
FIG. 8 is a perspective view thereof, shown partly in section.

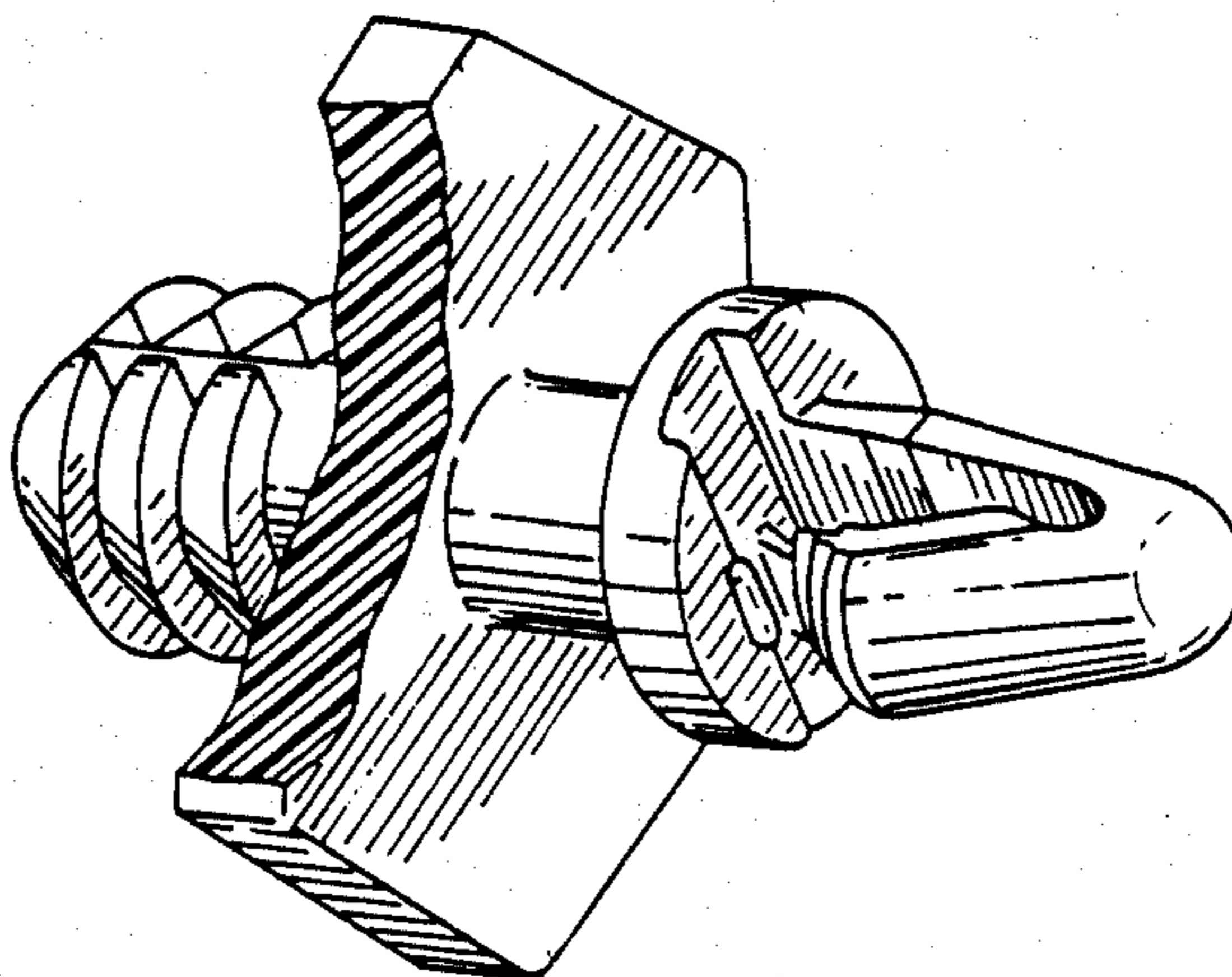


Fig. 1

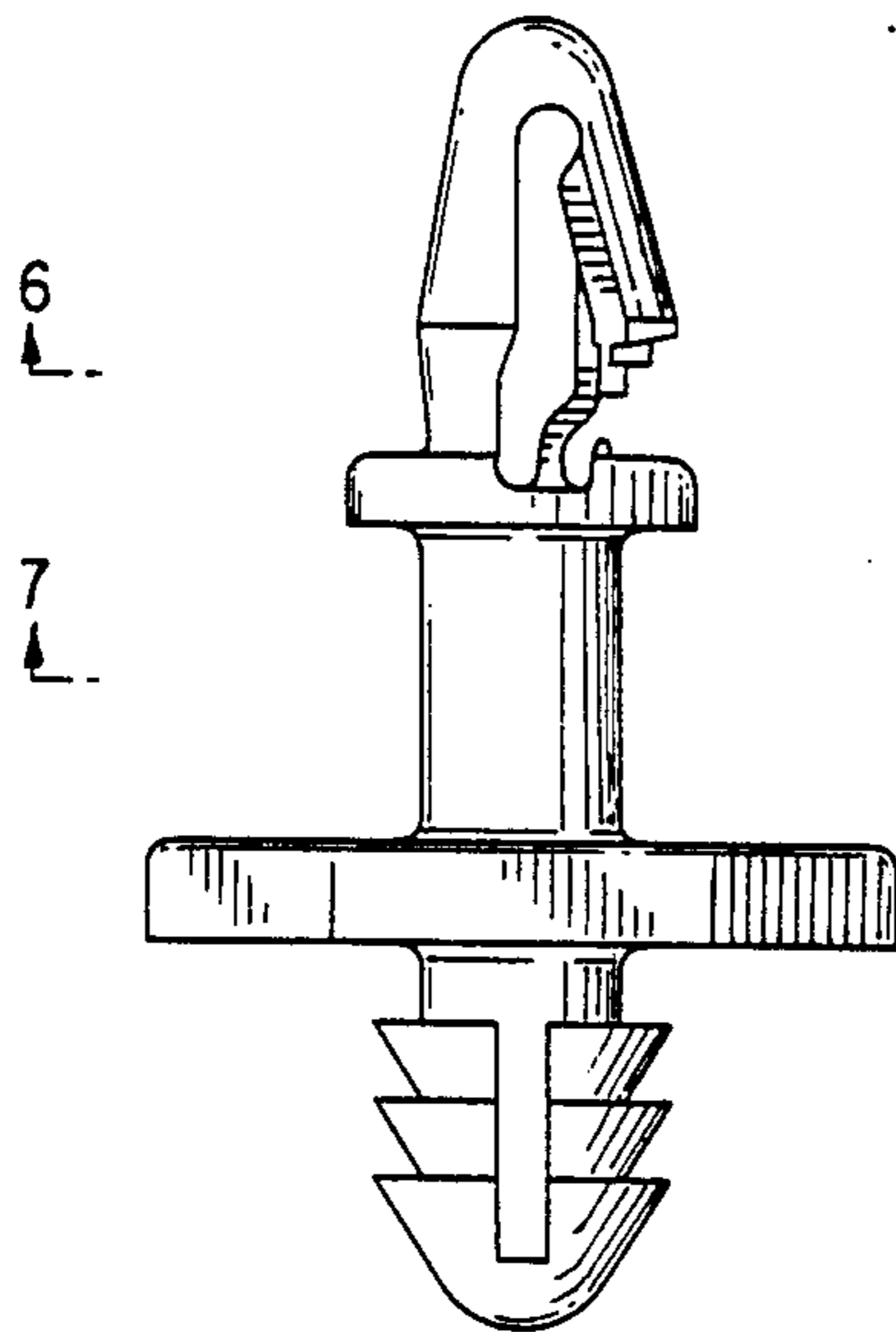


Fig. 3

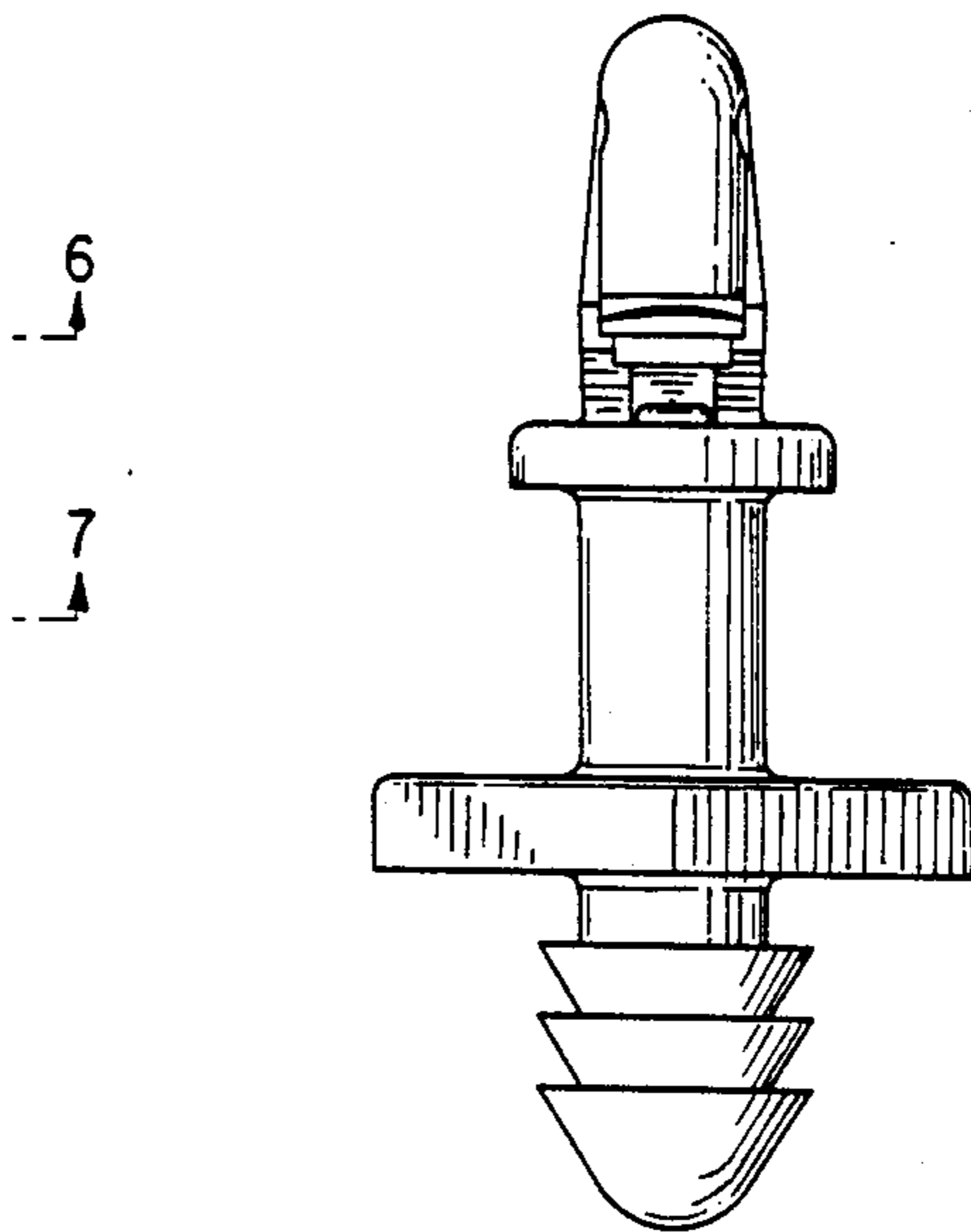


Fig. 2

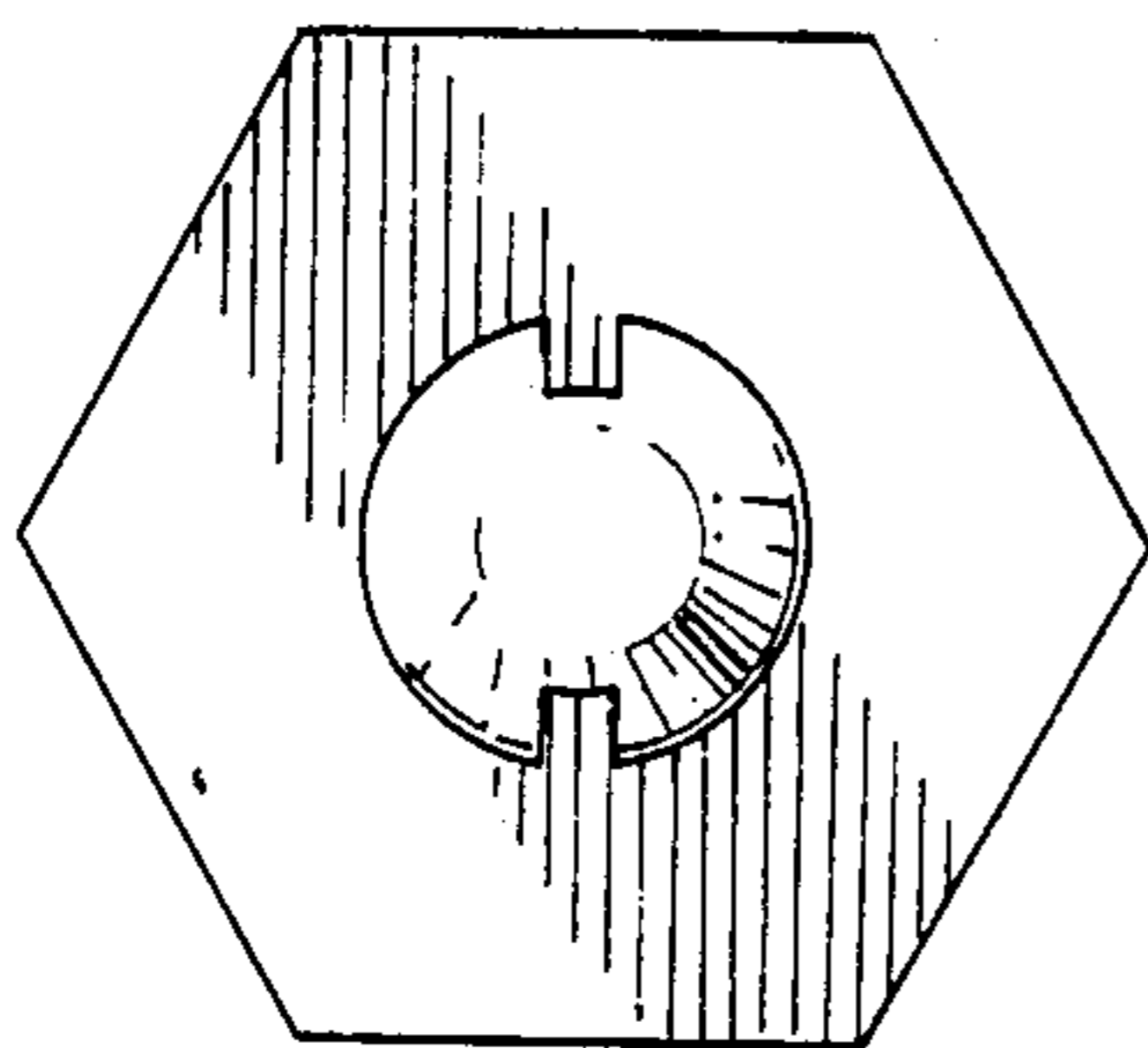


Fig. 4

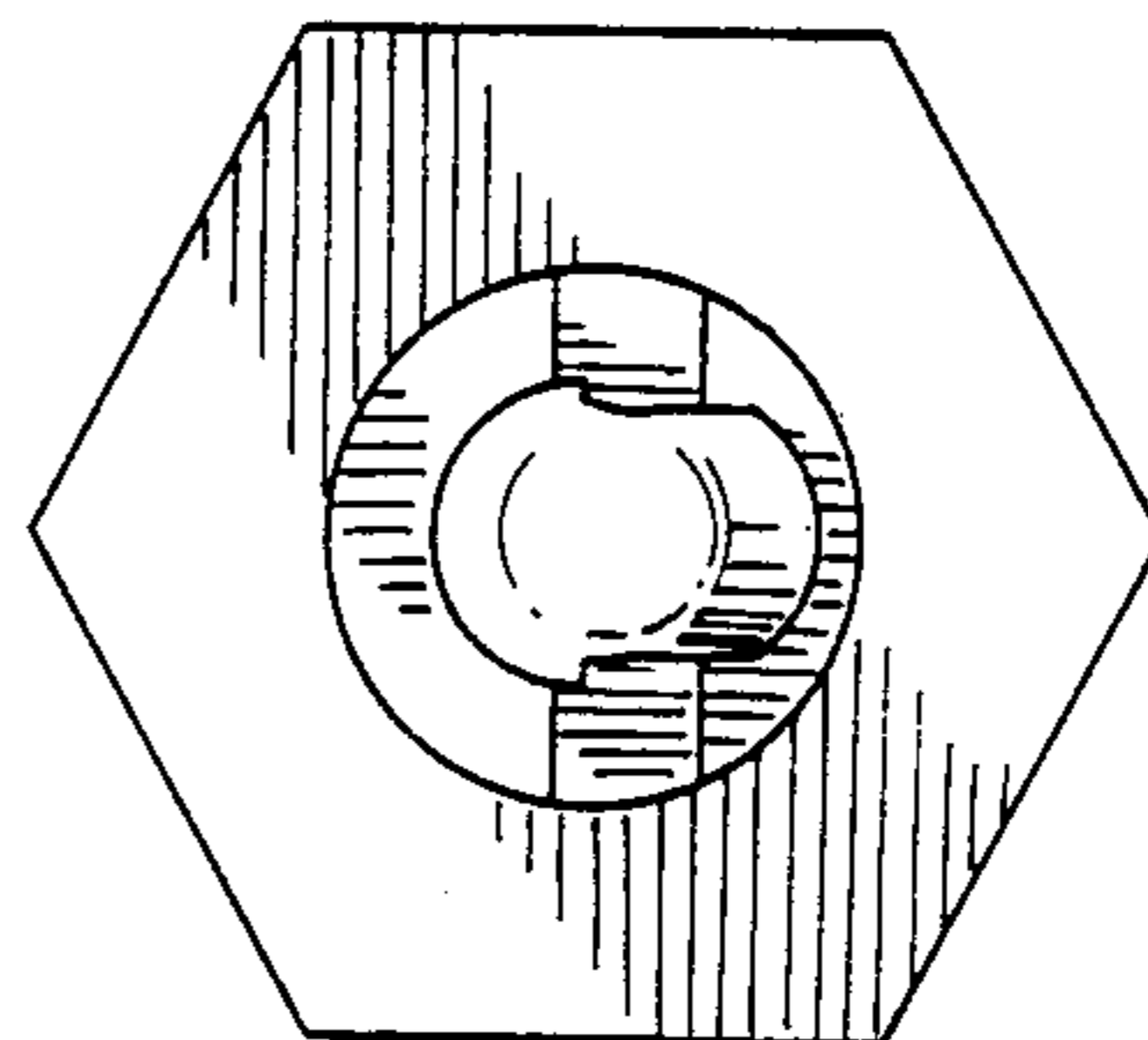


Fig. 5

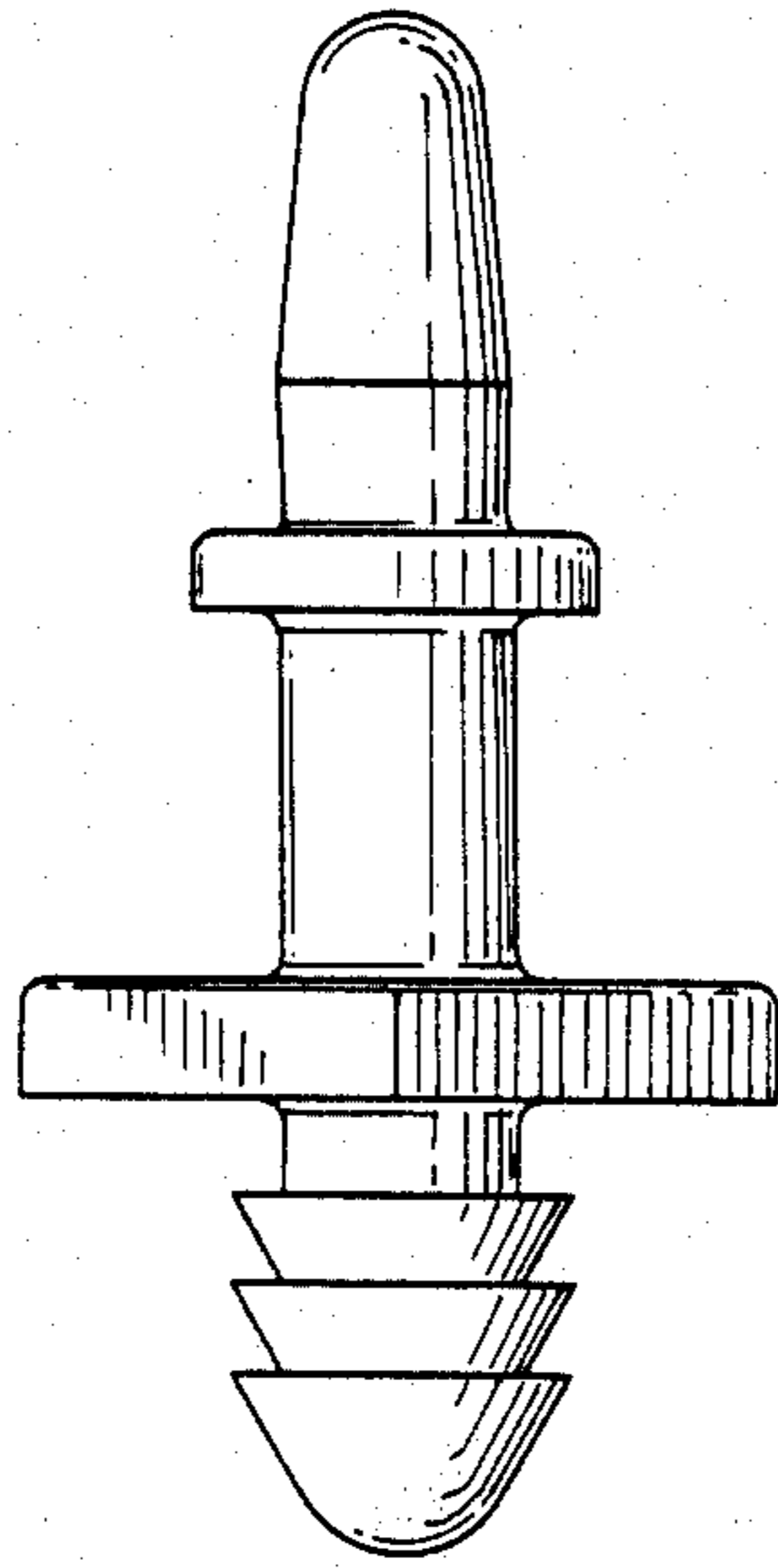


Fig. 6



Fig. 7

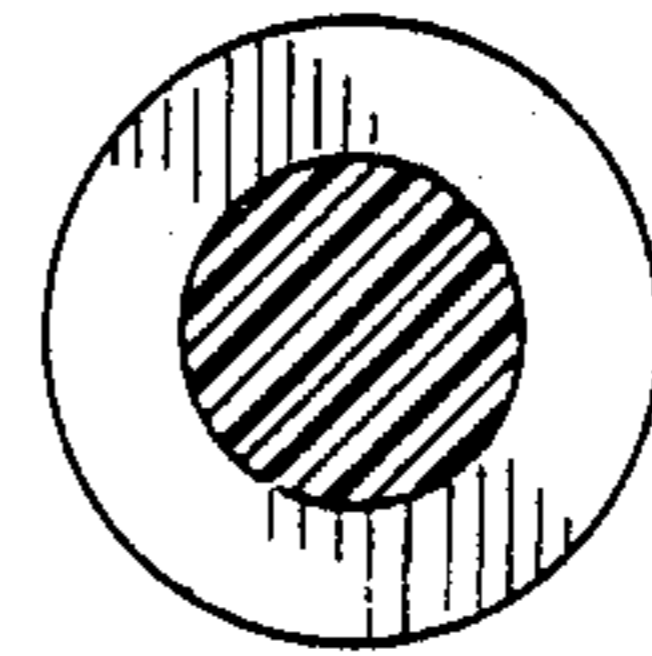


Fig. 8

