

[54] HYDRAULIC PISTON FOR THE OPENING OF GATES OR THE LIKE

[76] Inventor: Luigi Fadini, Via Fresca 68, 37053 Cerea (Verona), Italy

[\*\*] Term: 14 Years

[21] Appl. No.: 631,001

[22] Filed: Jul. 16, 1984

[30] Foreign Application Priority Data

Jan. 17, 1984 [IT] Italy ..... 20537/84[U]  
[52] U.S. Cl. .... D8/330  
[58] Field of Search ..... D8/330-332, D8/339, 400, 499; 70/71, 77, 81-82, 91, 95, 98-100; 16/71, 82, 86.1-86.2

[56] References Cited

U.S. PATENT DOCUMENTS

- D. 169,630 5/1953 Miller ..... D8/330
- D. 209,276 11/1967 Mowrer ..... D8/330
- D. 234,938 4/1975 Guerrero ..... D8/330
- D. 250,989 2/1979 Csokasy et al. .... D8/330

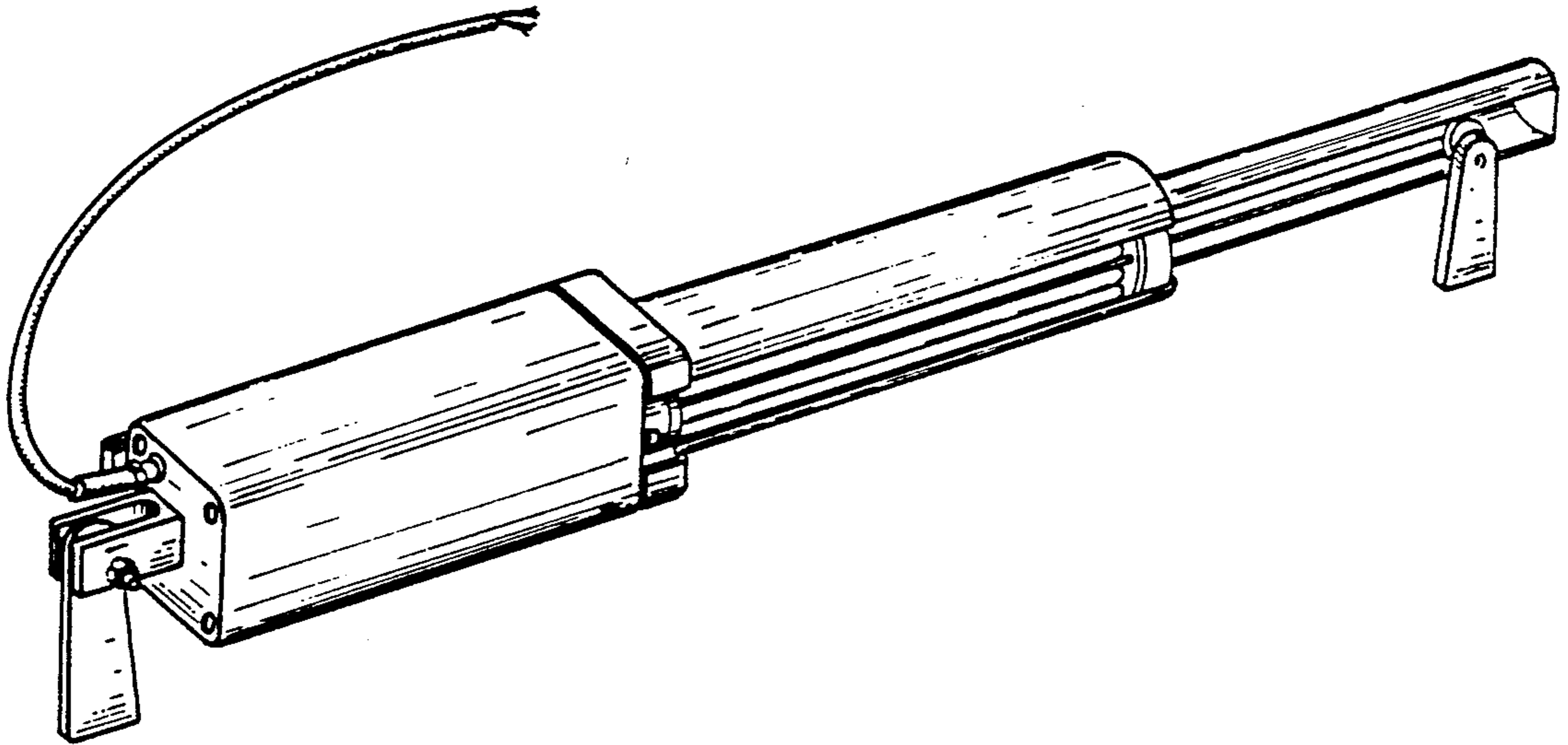
Primary Examiner—Wallace R. Burke  
Assistant Examiner—Brian N. Vinson  
Attorney, Agent, or Firm—Ladas & Parry

[57] CLAIM

The ornamental design for a hydraulic piston for the opening of gates or the like, as shown.

DESCRIPTION

FIG. 1 is a top and left side perspective view of a hydraulic piston for the opening of gates or the like showing my new design;  
FIG. 2 is an opposite side elevational view thereof;  
FIG. 3 is a rear end elevational view thereof, and,  
FIG. 4 is a front end elevational view thereof.



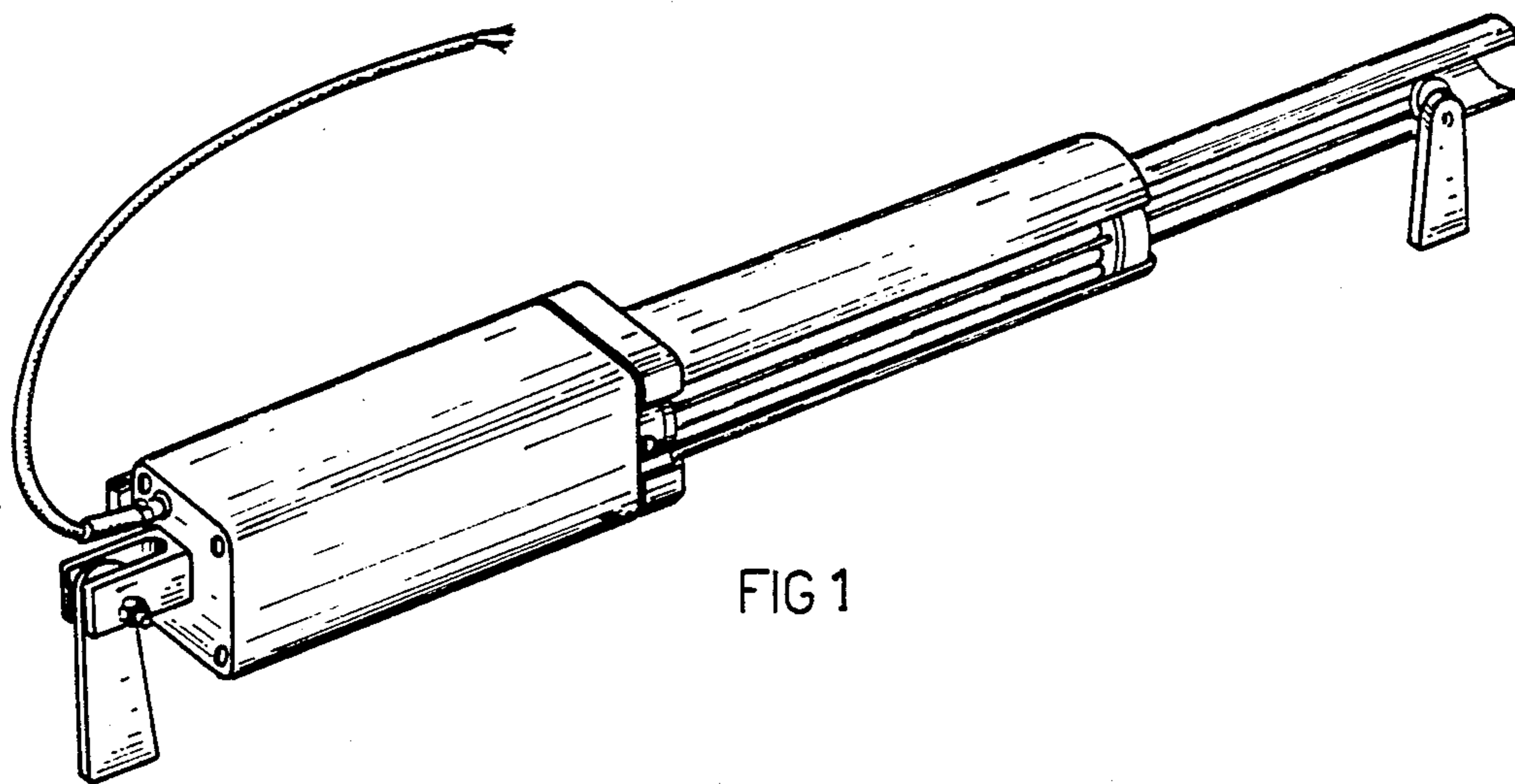


FIG 1

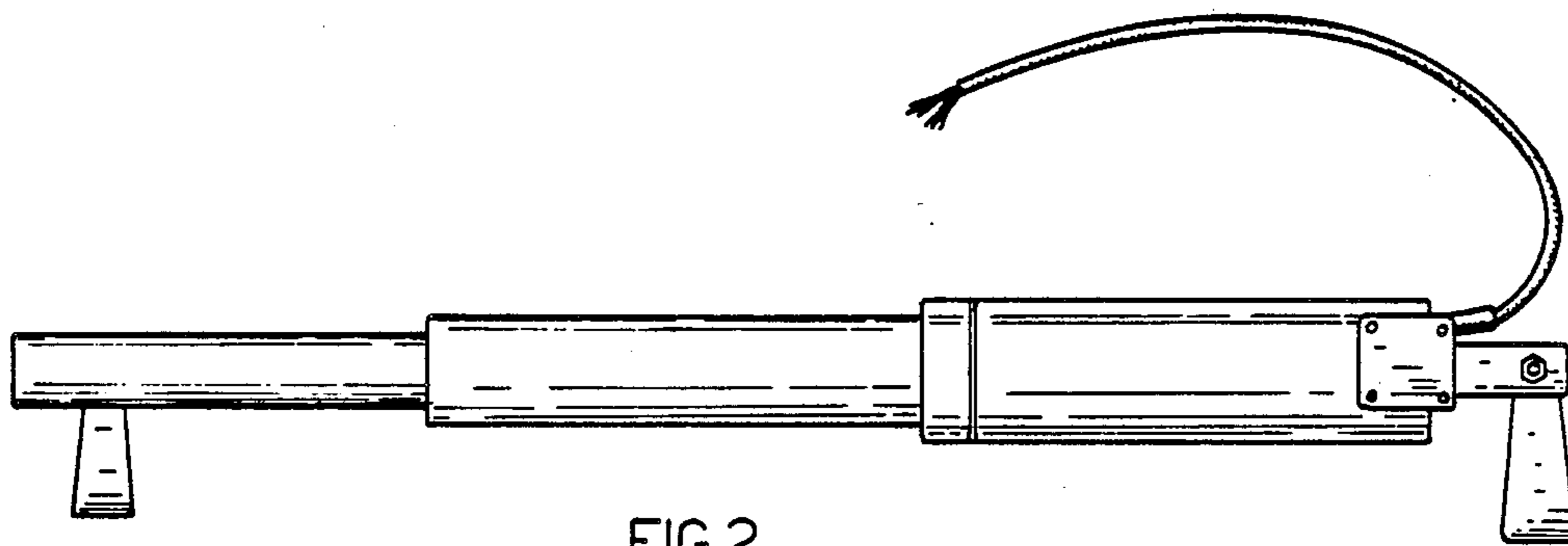


FIG 2

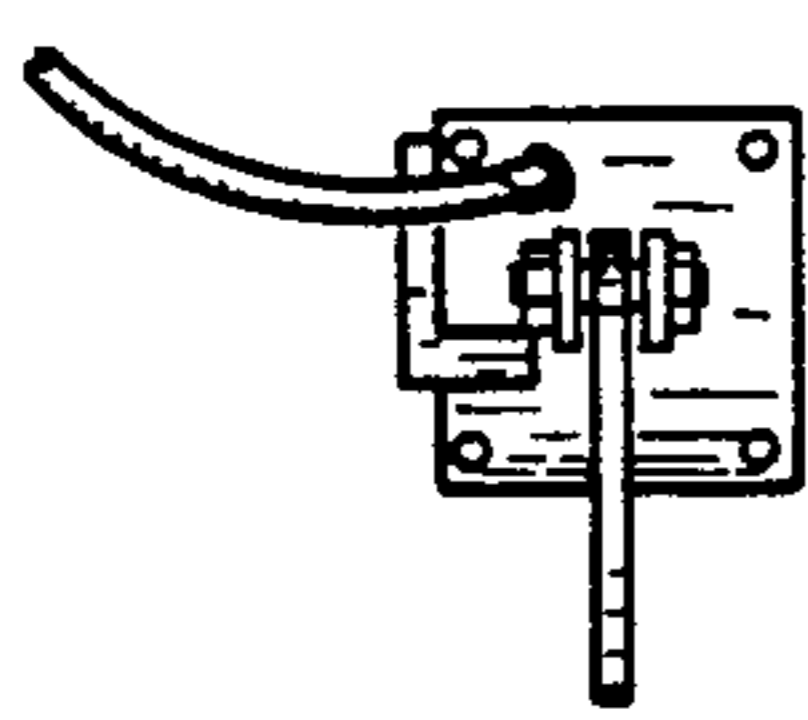


FIG 3

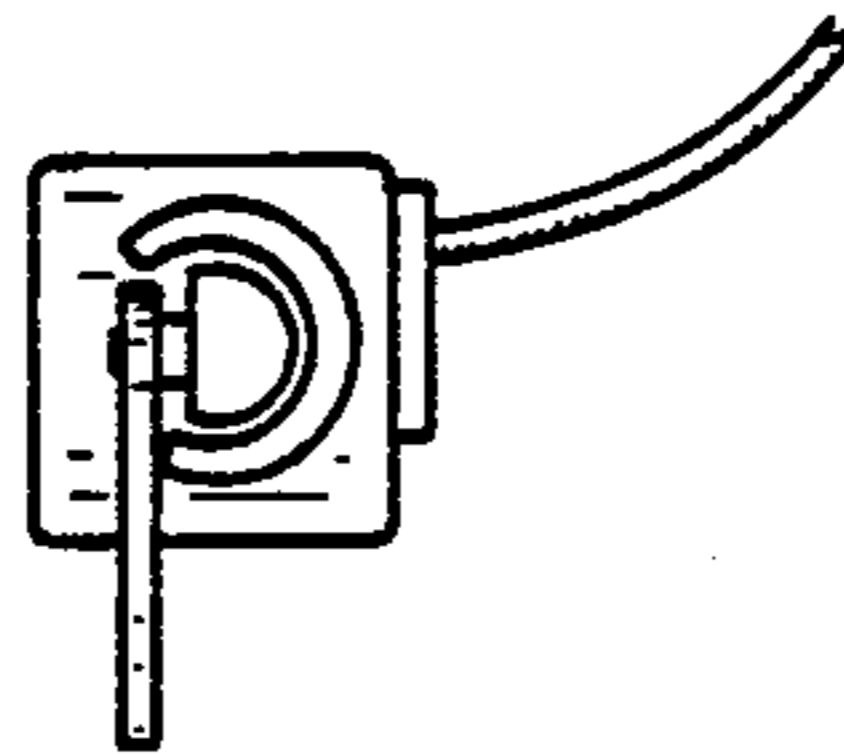


FIG 4