

[54] COMBINED HOE AND RAKE HEAD ASSEMBLY

[76] Inventor: Harold G. Roper, P.O. Box 107, Marble, Cherokee County, N.C. 28901

[**] Term: 14 Years

[21] Appl. No.: 719,217

[22] Filed: Apr. 2, 1985

[52] U.S. Cl. D8/6

[58] Field of Search D8/1, 5-7, D8/9-11, 13; D28/31; 294/49-52, 55, 57; 172/371, 374-375, 378; 16/110 R, 110 A; 56/400.04, 400.05, 400.16

[56] References Cited

U.S. PATENT DOCUMENTS

D. 31,826	11/1899	Schmaltz	D8/6
D. 108,044	1/1938	Wallace	D8/6
D. 134,348	11/1942	Thayer	D8/6
D. 279,348	6/1985	Clivio et al.	D8/11
354,355	12/1886	Seatter	56/400.06
1,665,183	4/1928	Urban	172/378
2,520,413	8/1950	Kent	56/400.06
2,796,011	6/1957	Schmidt	294/52 X

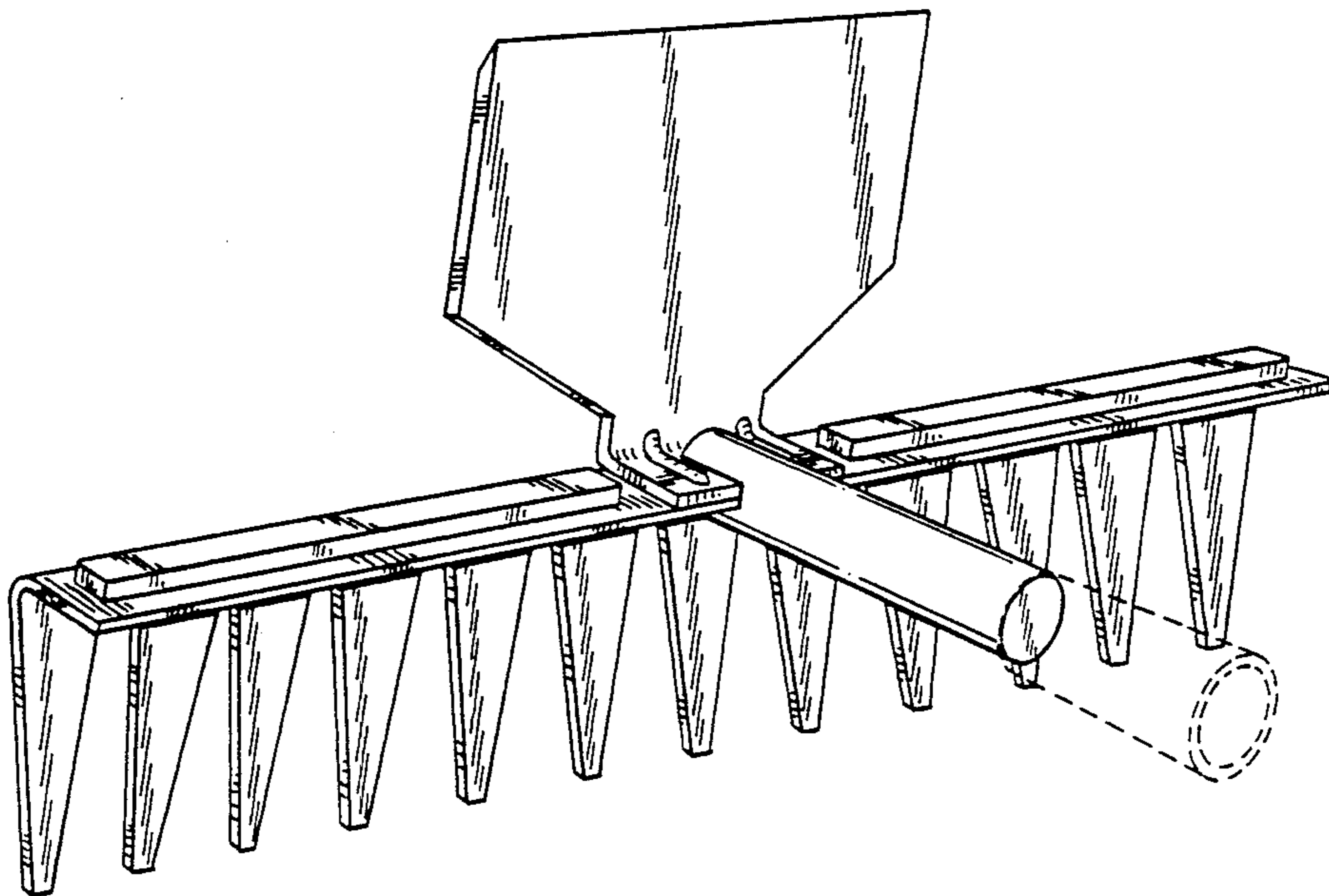
Primary Examiner—Wallace R. Burke
Assistant Examiner—Brian N. Vinson
Attorney, Agent, or Firm—Charles R. Rhodes; Judith E. Garmon

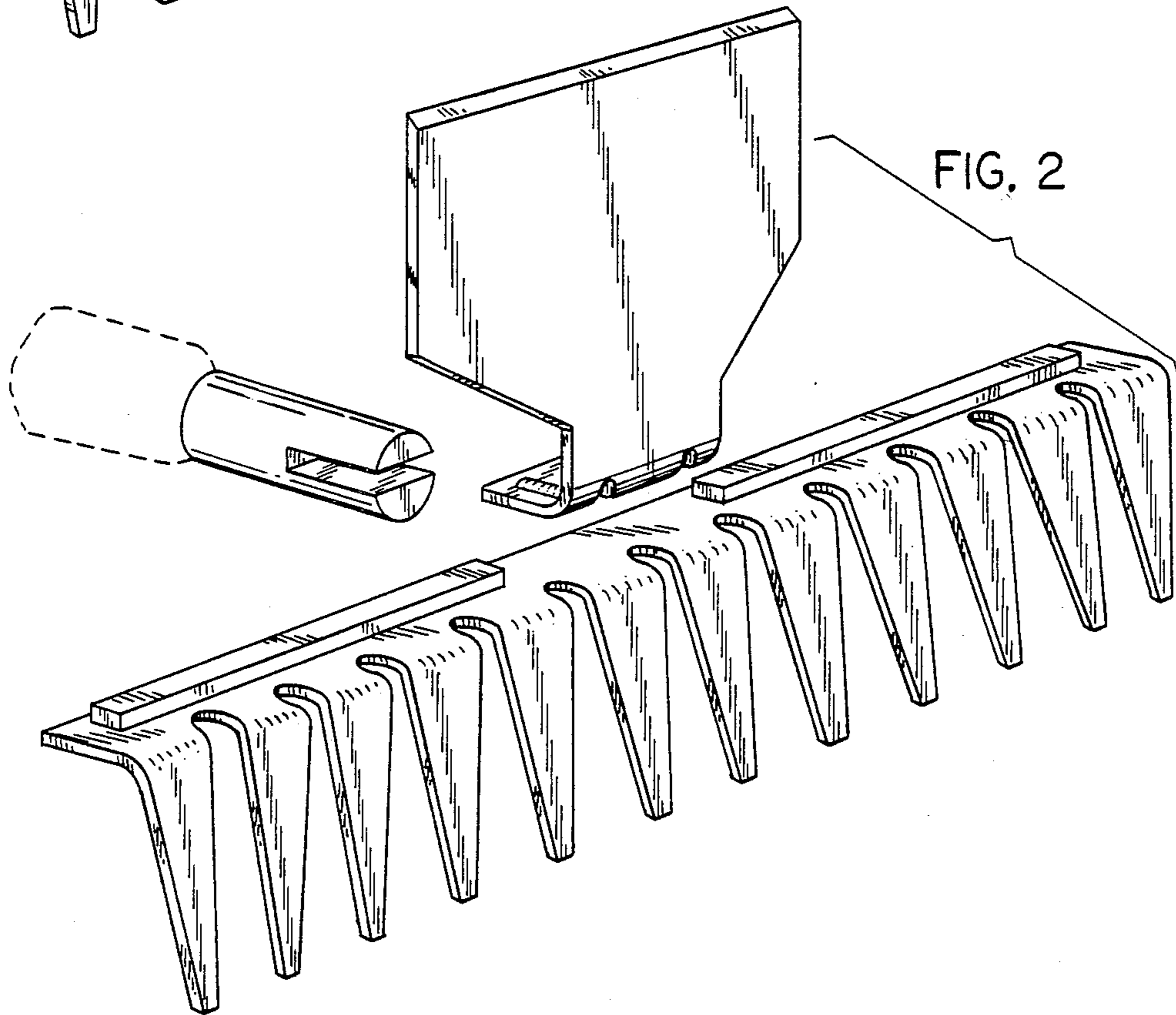
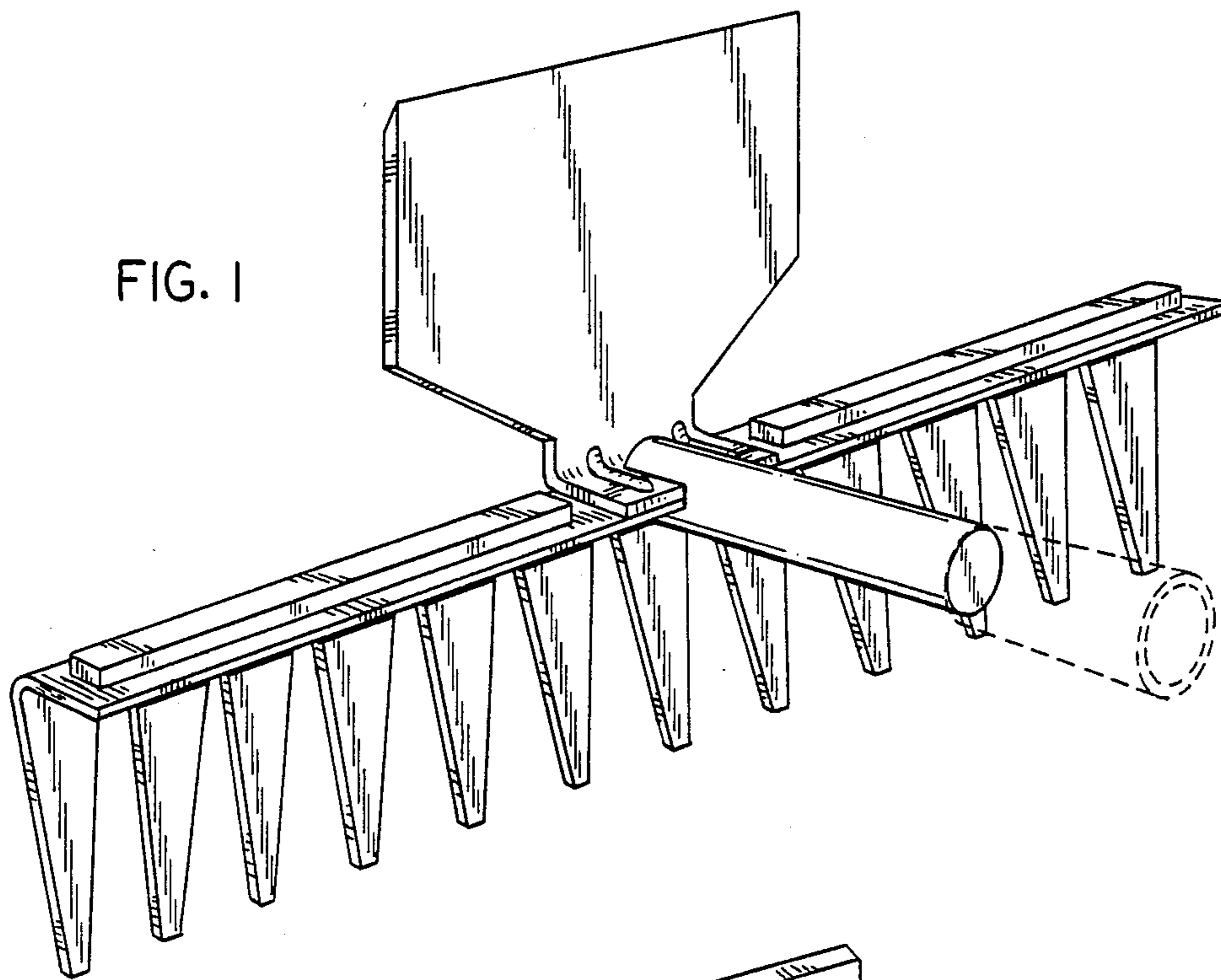
[57] CLAIM

The ornamental design for a combined hoe and rake head assembly, as shown and described.

DESCRIPTION

FIG. 1 is a top and rear perspective view of a combined hoe and rake head assembly showing a first embodiment of my new design;
FIG. 2 is an exploded front and top perspective view thereof;
FIG. 3 is a side elevational view thereof, the side opposite being a mirror image;
FIG. 4 is a top and rear perspective view of a second embodiment thereof, the only difference residing in the width of the rake element; and
FIG. 5 is a top and rear perspective view of a third embodiment thereof, the only difference residing in the width of the rake and hoe elements.
The broken-line showing of a portion of the handle is for illustrative purposes only and forms no part of the claimed design.





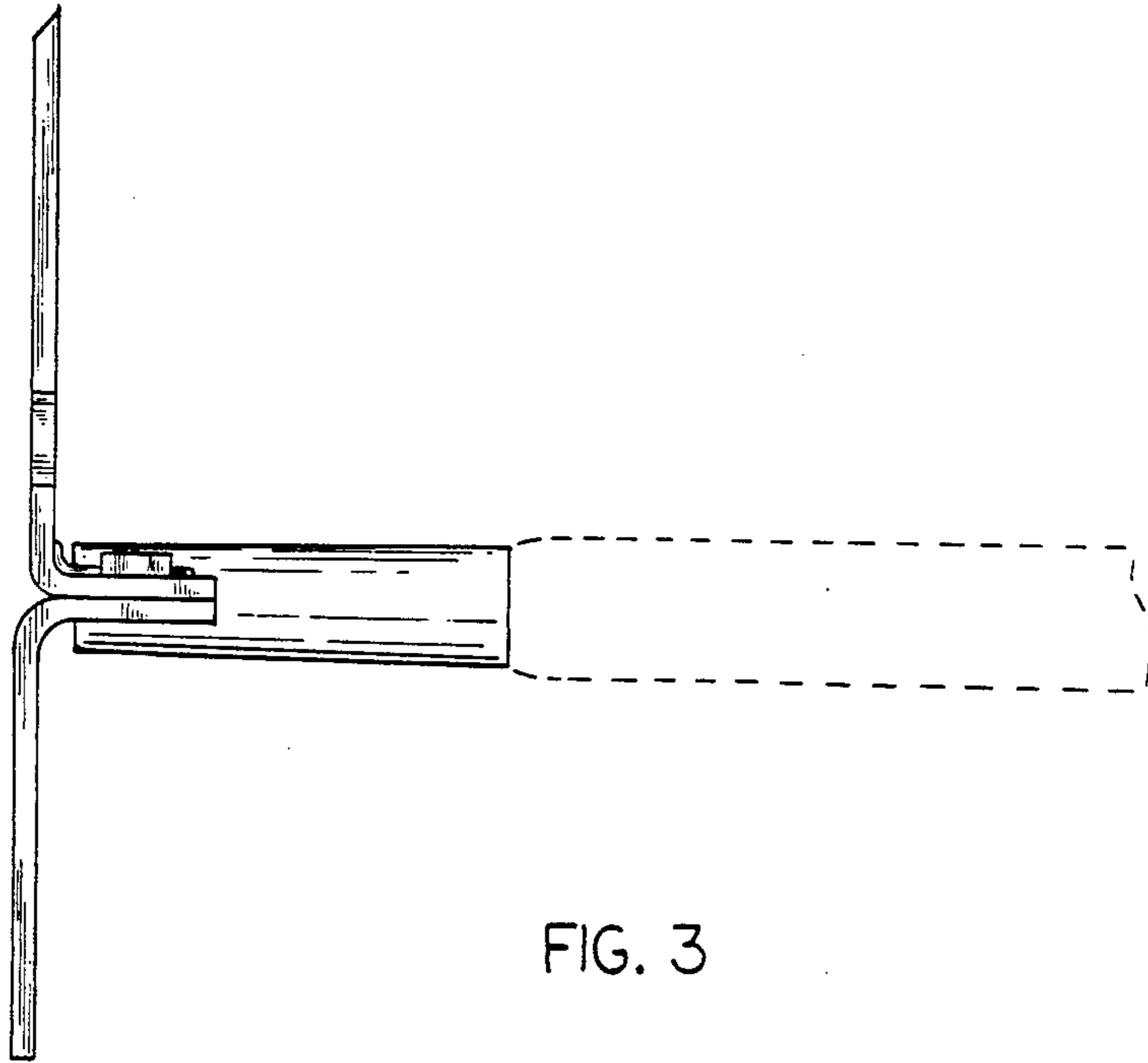


FIG. 3

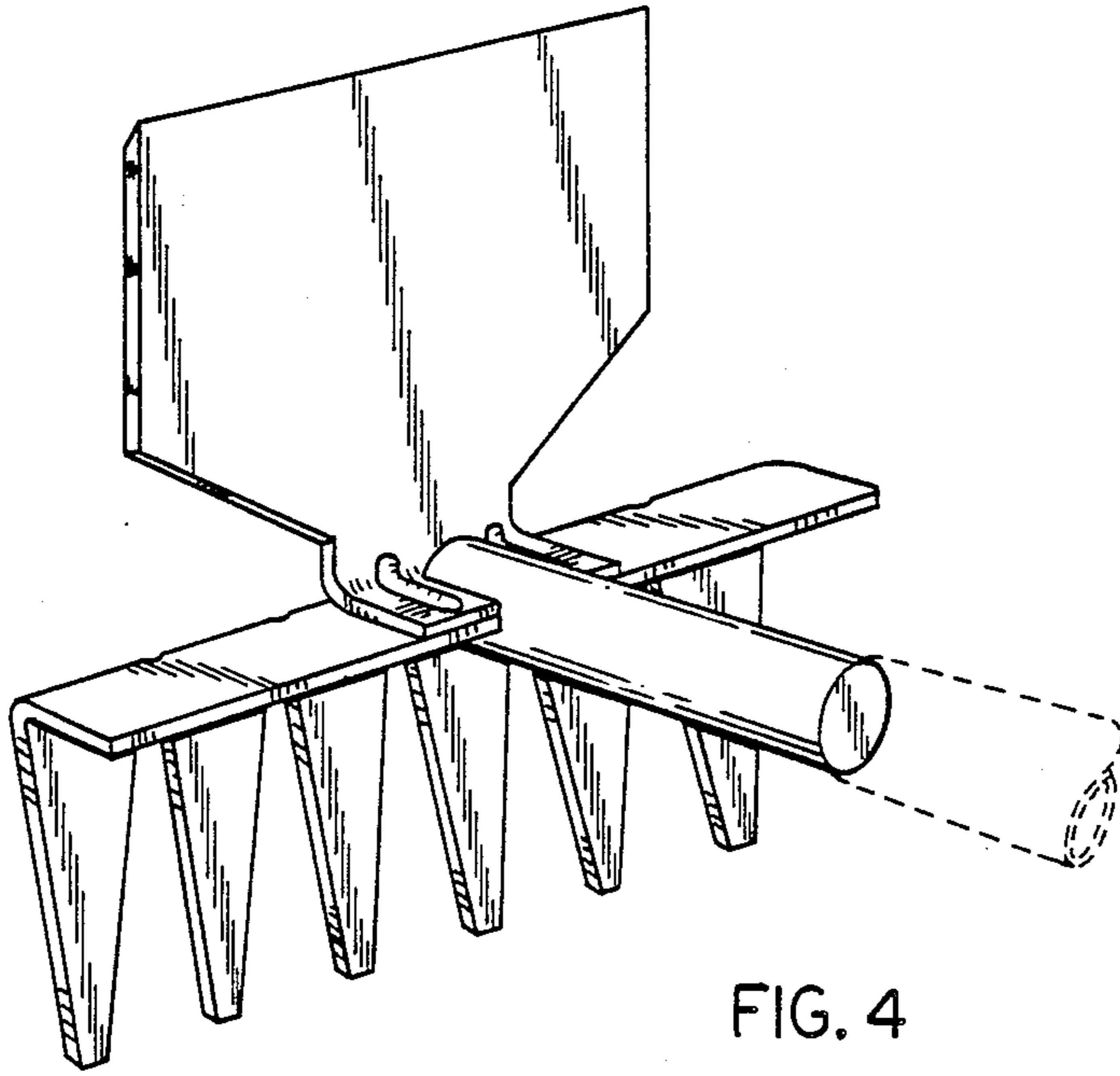


FIG. 4

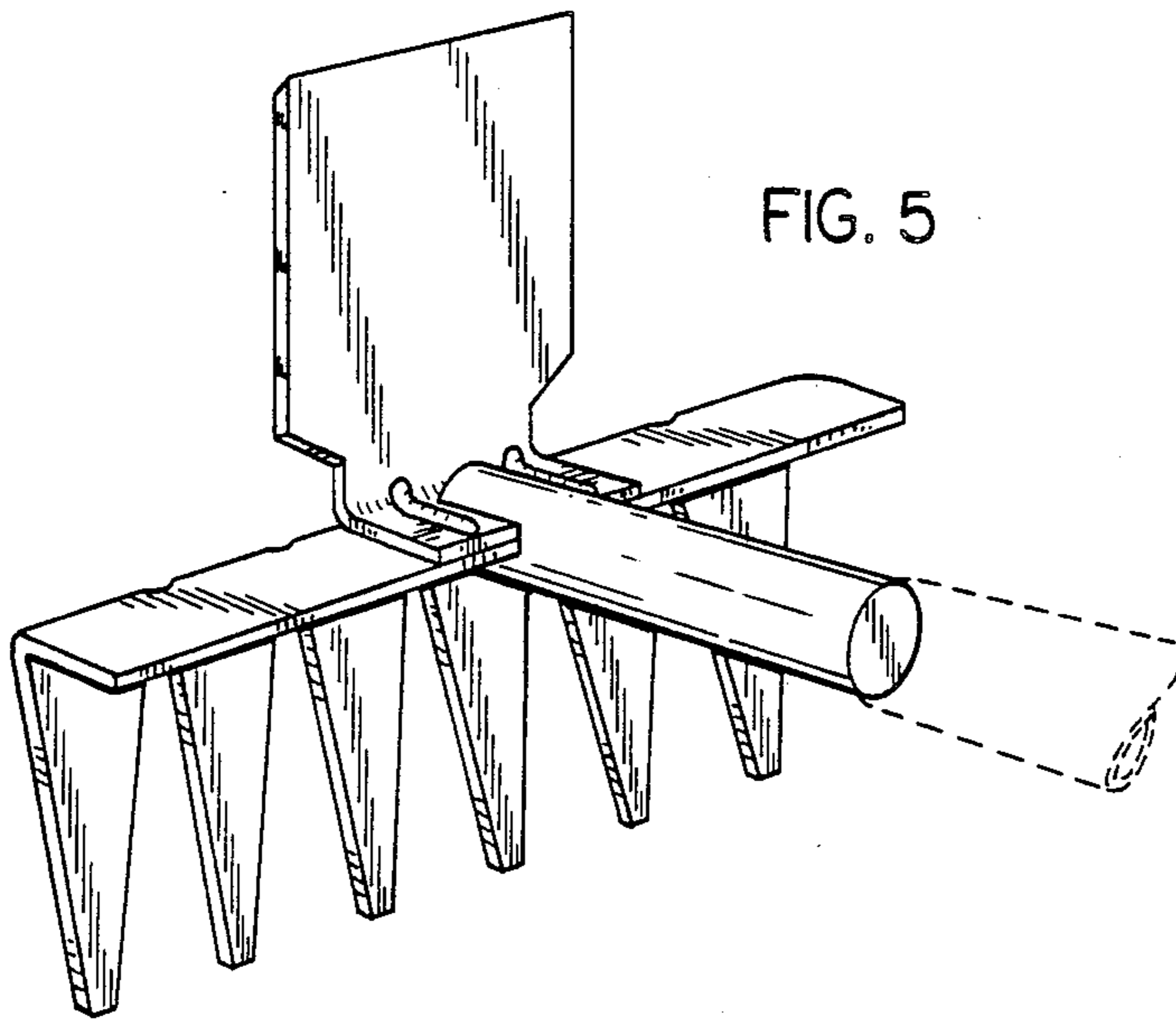


FIG. 5