

[54] FOOD PROCESSOR

[75] Inventor: Rudolf Maass, Solingen, Fed. Rep. of Germany

[73] Assignee: Robert Krups Stiftung & Co. KG., Solingen, Fed. Rep. of Germany

[**] Term: 14 Years

[21] Appl. No.: 760,283

[22] Filed: Jul. 29, 1985

[52] U.S. Cl. D7/384

[58] Field of Search D7/384, 368, 372-374, D7/376-378, 383, 379, 385

[56] References Cited

U.S. PATENT DOCUMENTS

- D. 256,318 8/1980 Levin D7/384
- D. 282,620 2/1986 Cavalli D7/384
- D. 287,327 12/1986 Cavalli D7/384

FOREIGN PATENT DOCUMENTS

314595 6/1956 Switzerland D7/368

OTHER PUBLICATIONS

Retailing Home Furnishings, May 23, 1977, p. 32, bottom right panel, "Cuisine Machine"—Hamilton Beach.

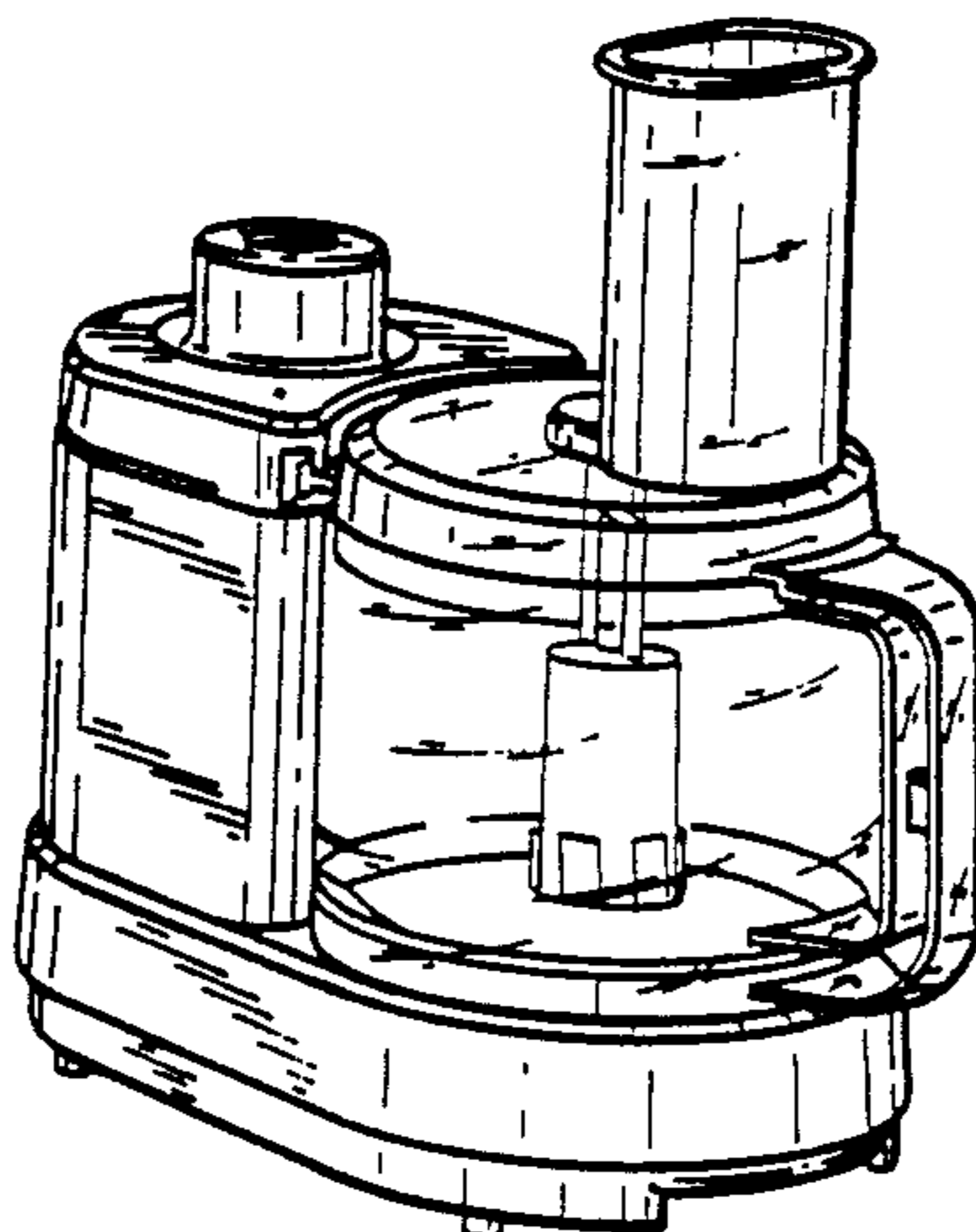
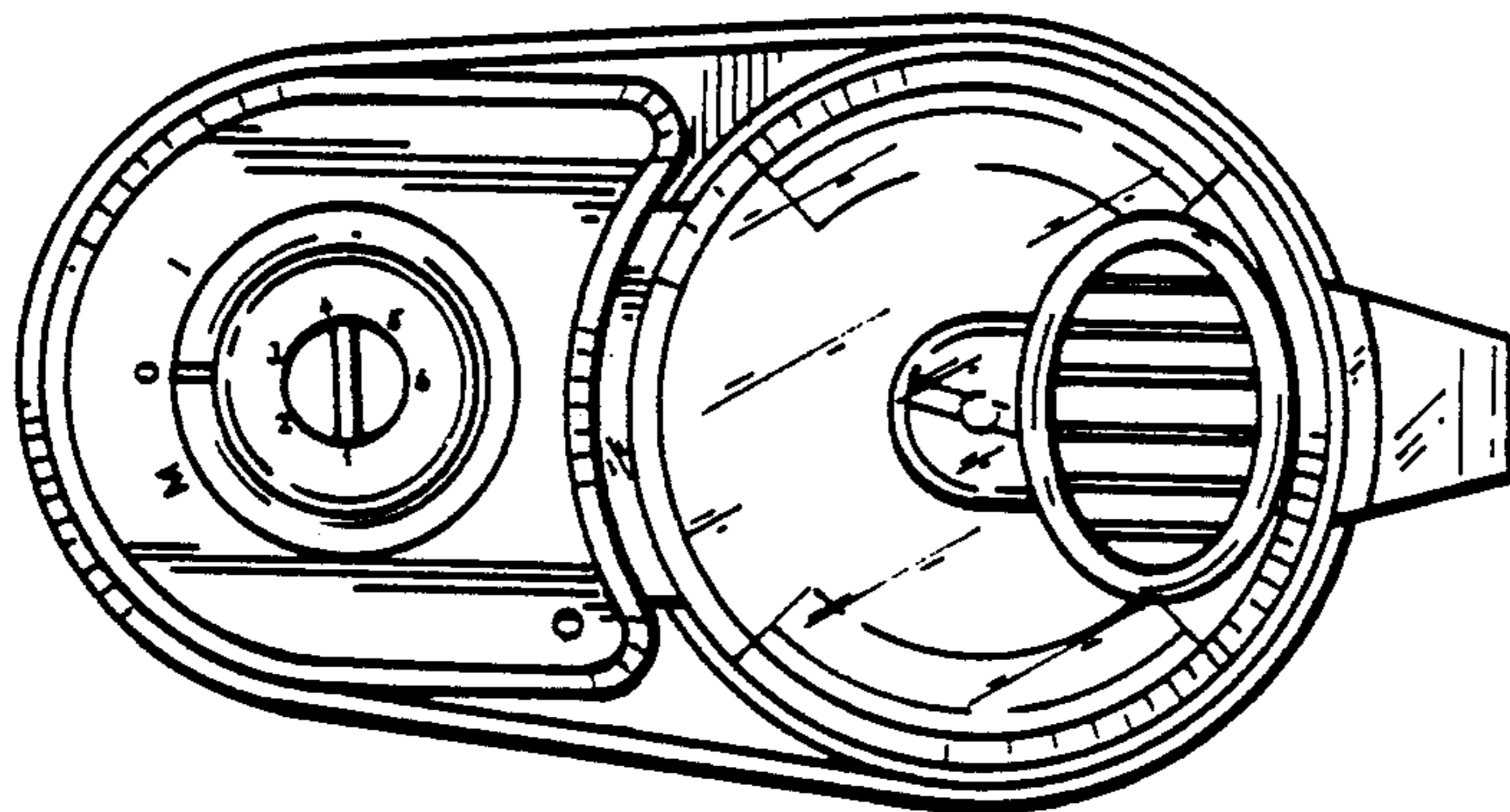
Primary Examiner—Winifred E. Herrmann
Attorney, Agent, or Firm—Peter K. Kontler

[57] CLAIM

The ornamental design for a food processor, as shown.

DESCRIPTION

FIG. 1 is a top, front and right side perspective view of a food processor, showing my new design;
 FIG. 2 is a front elevational view thereof;
 FIG. 3 is a right side elevational view thereof;
 FIG. 4 is a top plan view thereof;
 FIG. 5 is a bottom plan view thereof;
 FIG. 6 is a rear elevational view thereof; and
 FIG. 7 is a left side elevational view thereof.



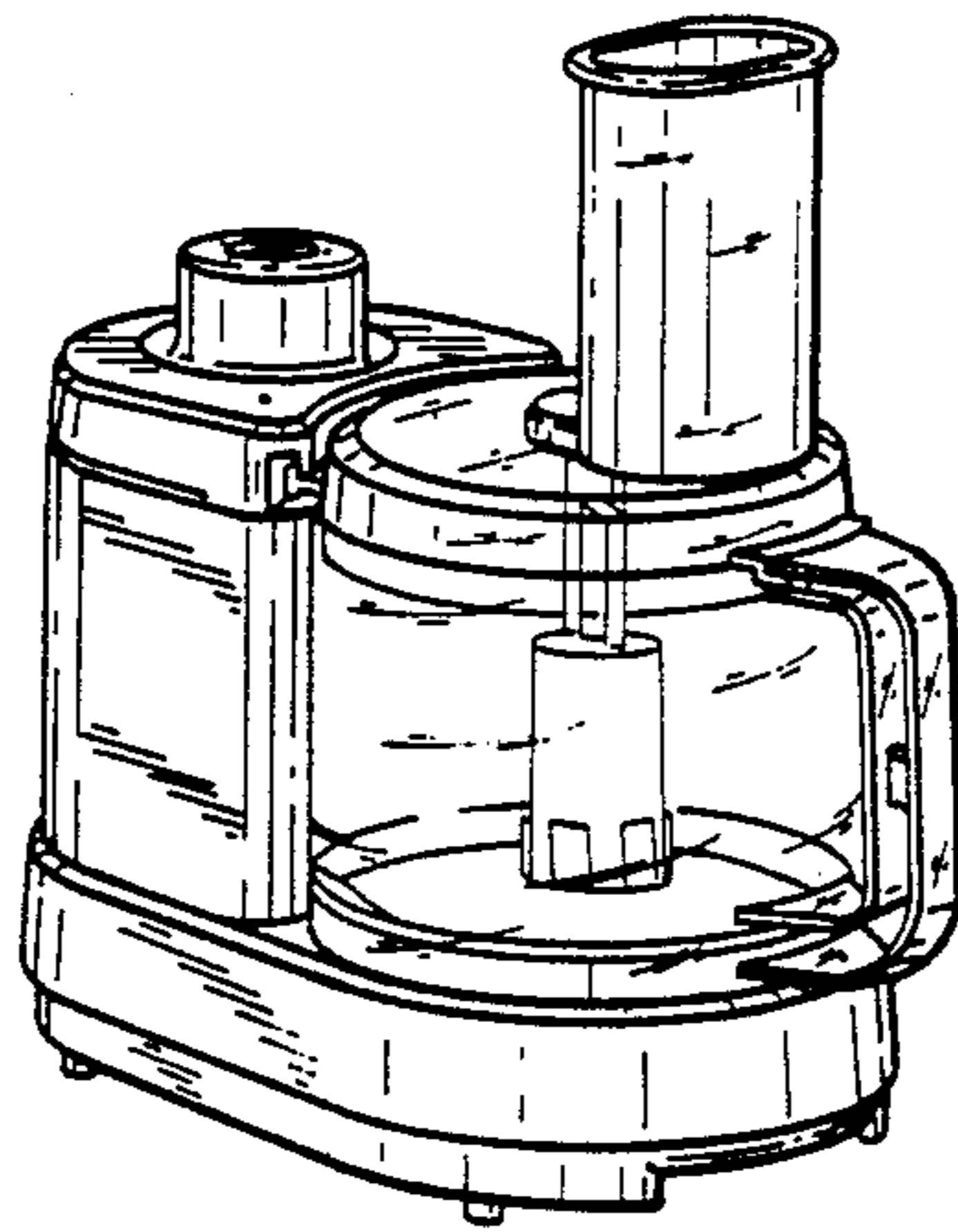


FIG. 1

FIG. 2

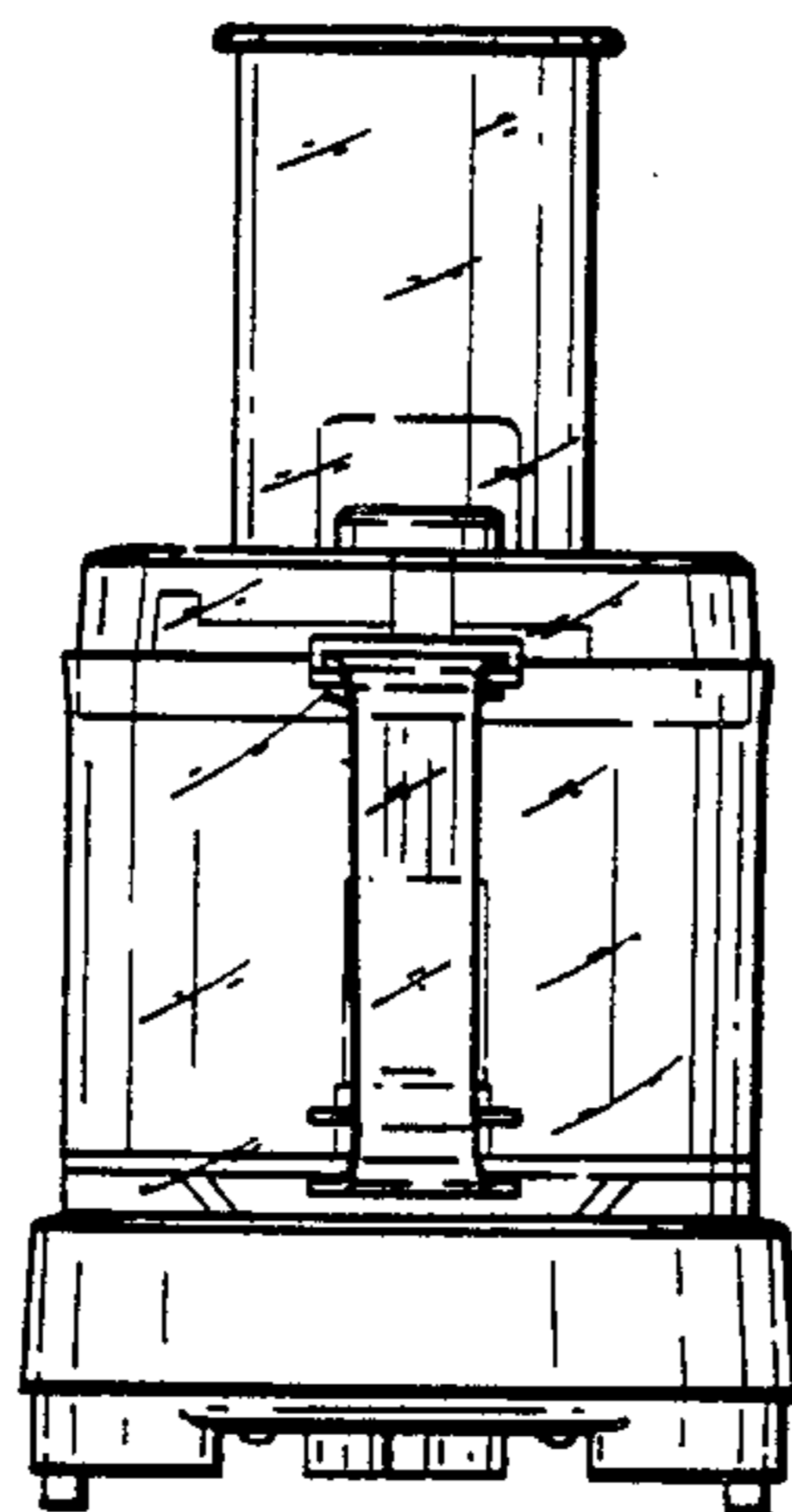
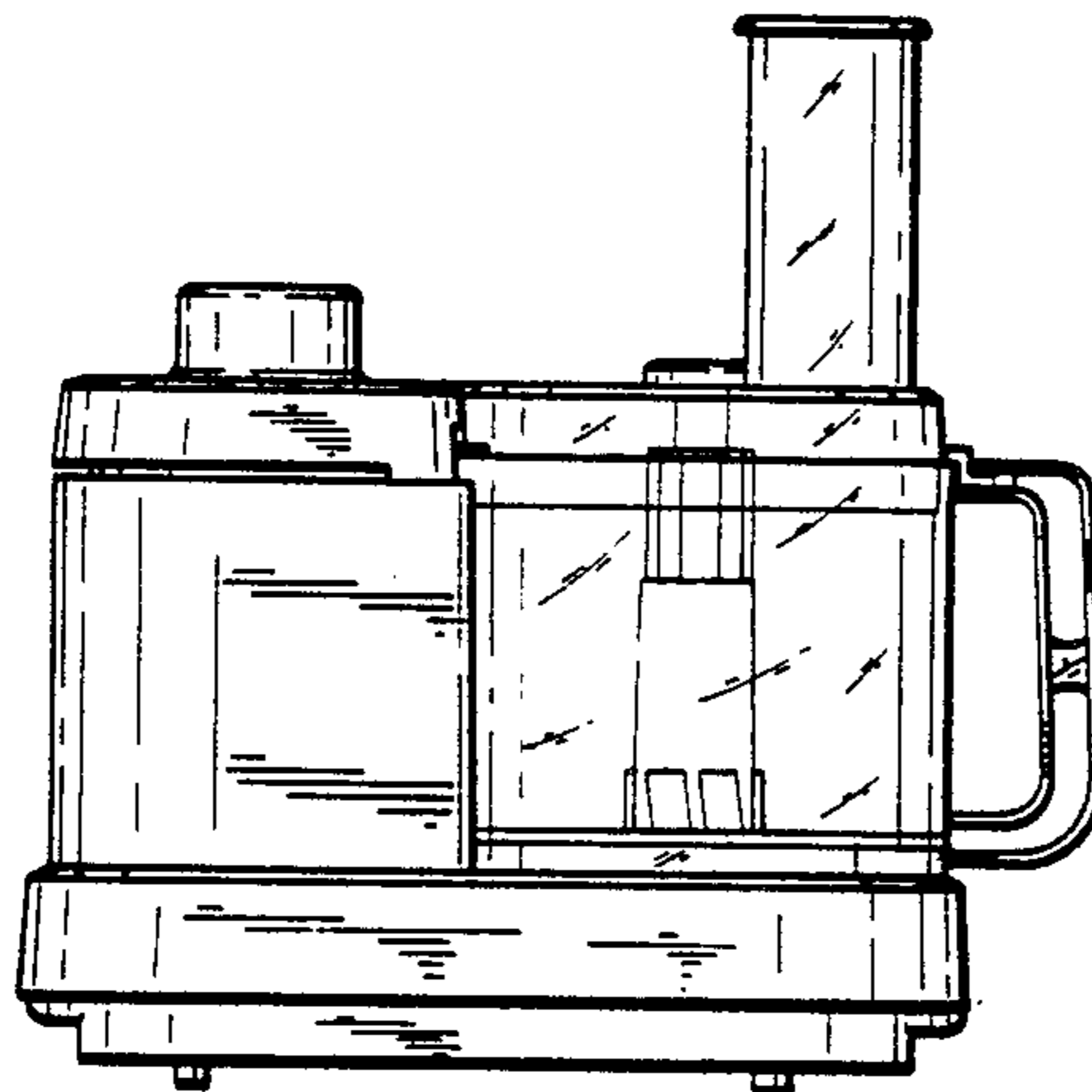


FIG. 3

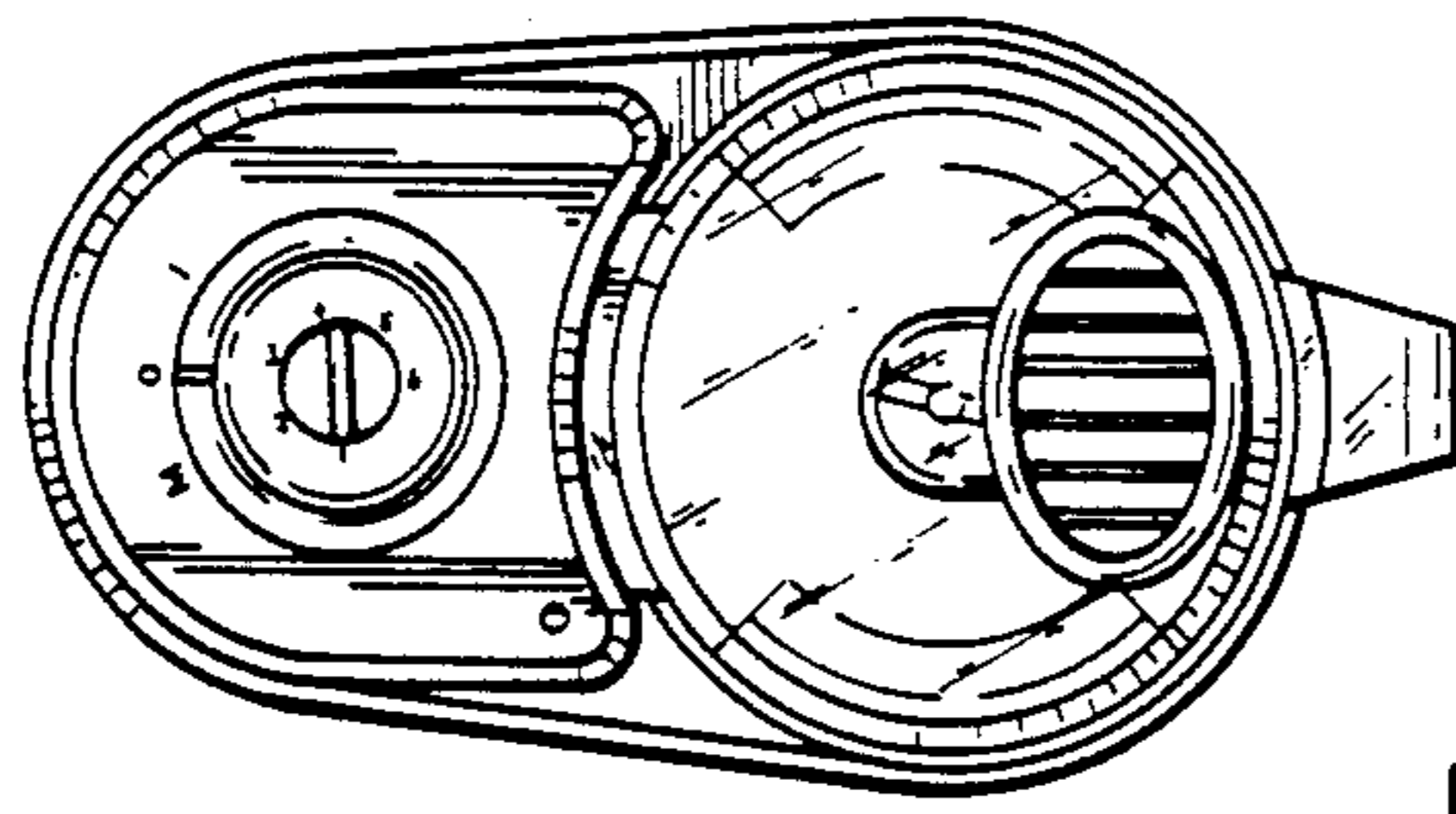


FIG. 4

FIG. 5

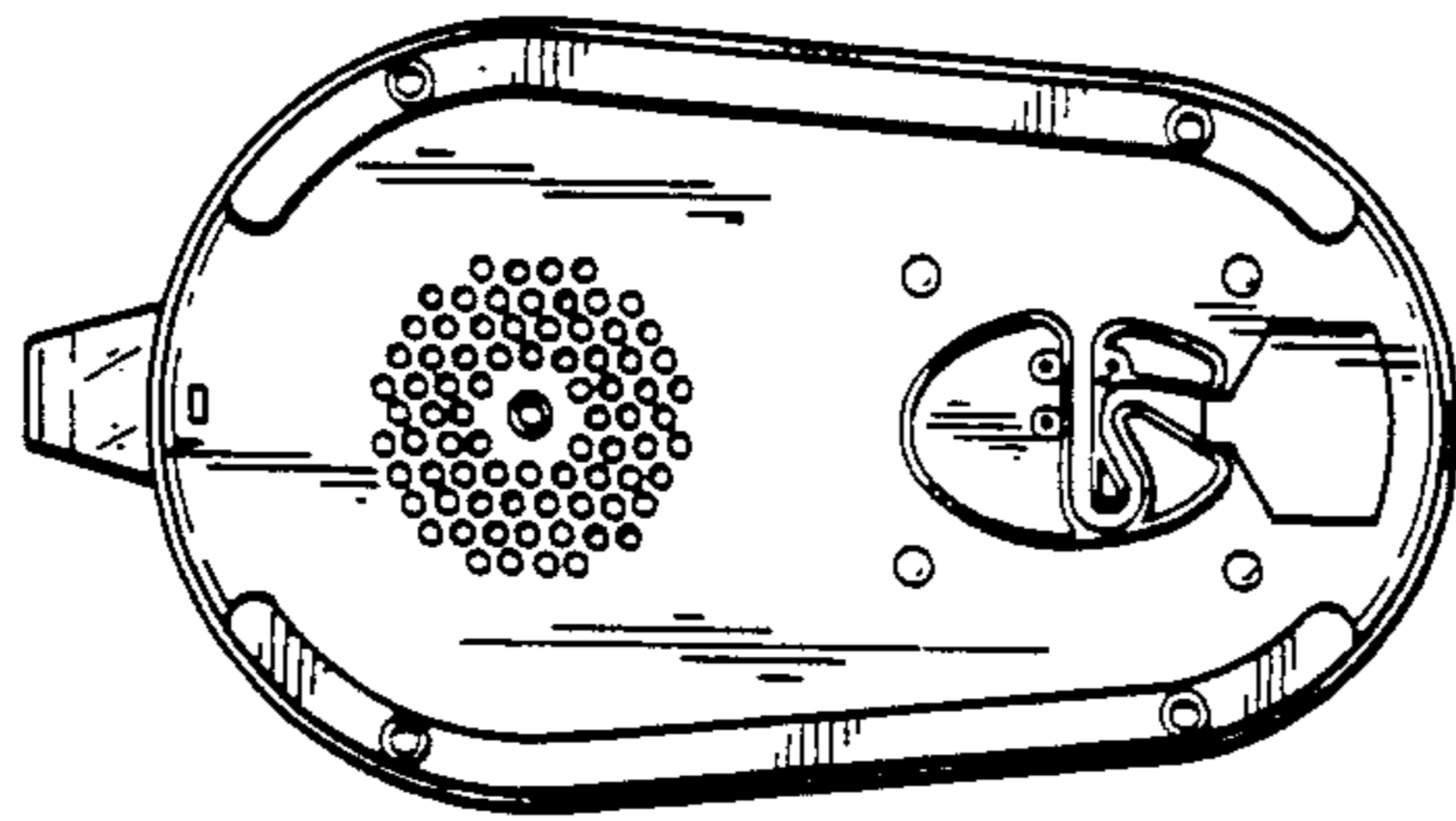


FIG. 6

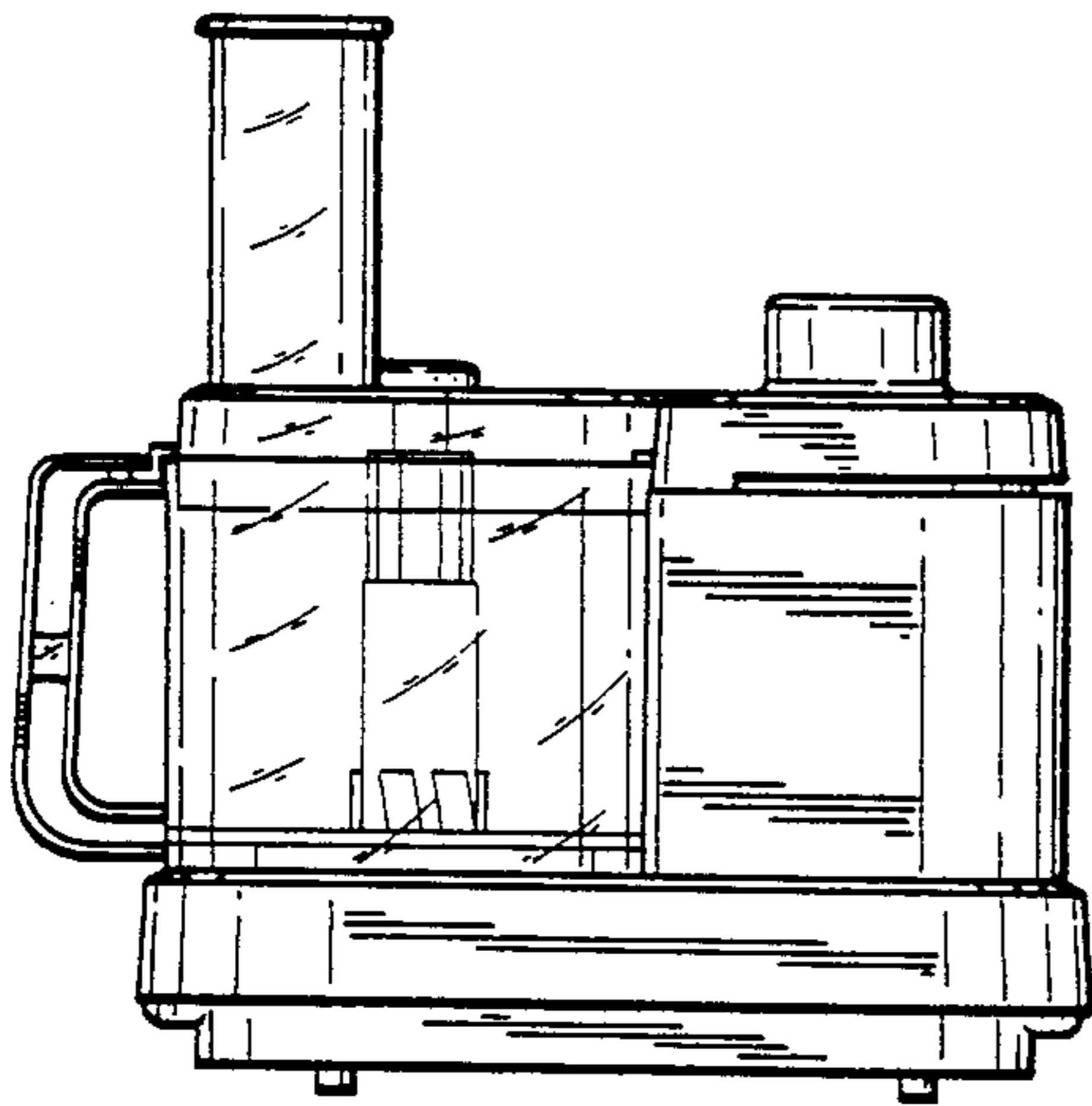


FIG. 7

