

[54] COOKING UTENSIL OR SIMILAR ARTICLE

[76] Inventor: Gung H. Wang, 8200 Indiana Ave., Chicago, Ill. 60643

[**] Term: 14 Years

[21] Appl. No.: 731,774

[22] Filed: May 8, 1985

[52] U.S. CL. D7/354; D7/23; D7/360; D7/361

[58] Field of Search D7/354, 23, 360, 361, D7/355, 20, 356, 323

[56] References Cited

U.S. PATENT DOCUMENTS

D. 41,716	8/1911	Swan	D7/355
D. 154,750	8/1949	Cotter	D7/358
D. 192,175	2/1962	Trombley	D7/23
D. 207,592	5/1967	Aubecq	D7/361
D. 221,979	9/1971	Madl	D7/355 X
D. 258,407	3/1981	Newman	D7/354 X

OTHER PUBLICATIONS

Schoner Wohnen, Aug., 1980, p. 86SW, Handles on Covered Pot, lower right panel.

Primary Examiner—Winifred E. Herrmann
Attorney, Agent, or Firm—Hill, Van Santen, Steadman & Simpson

[57] CLAIM

The ornamental design for a cooking utensil or similar article, substantially as shown and described.

DESCRIPTION

FIG. 1 is a top plan view of a cooking utensil or similar article, showing my new design.
 FIG. 2 is a side elevational view thereof, the sides not shown are similar to the side shown;
 FIG. 3 is a bottom plan view thereof;
 FIG. 4 is a top plan view of a cooking utensil or similar article showing a modification of my new design;
 FIG. 5 is a front or rear elevational view of FIG. 4;
 FIG. 6 is a left or right side elevational view of FIG. 4;
 FIG. 7 is a bottom plan view of FIG. 4.
 FIG. 8 is a top plan view of a cooking utensil or similar article showing another modification of my new design;
 FIG. 9 is a front elevational view of FIG. 8;
 FIG. 10 is a left side elevational view of FIG. 8;
 FIG. 11 is a bottom plan view of FIG. 8.
 FIG. 12 is a rear elevational view of FIG. 8; and,
 FIG. 13 is a right side elevational view of FIG. 8.

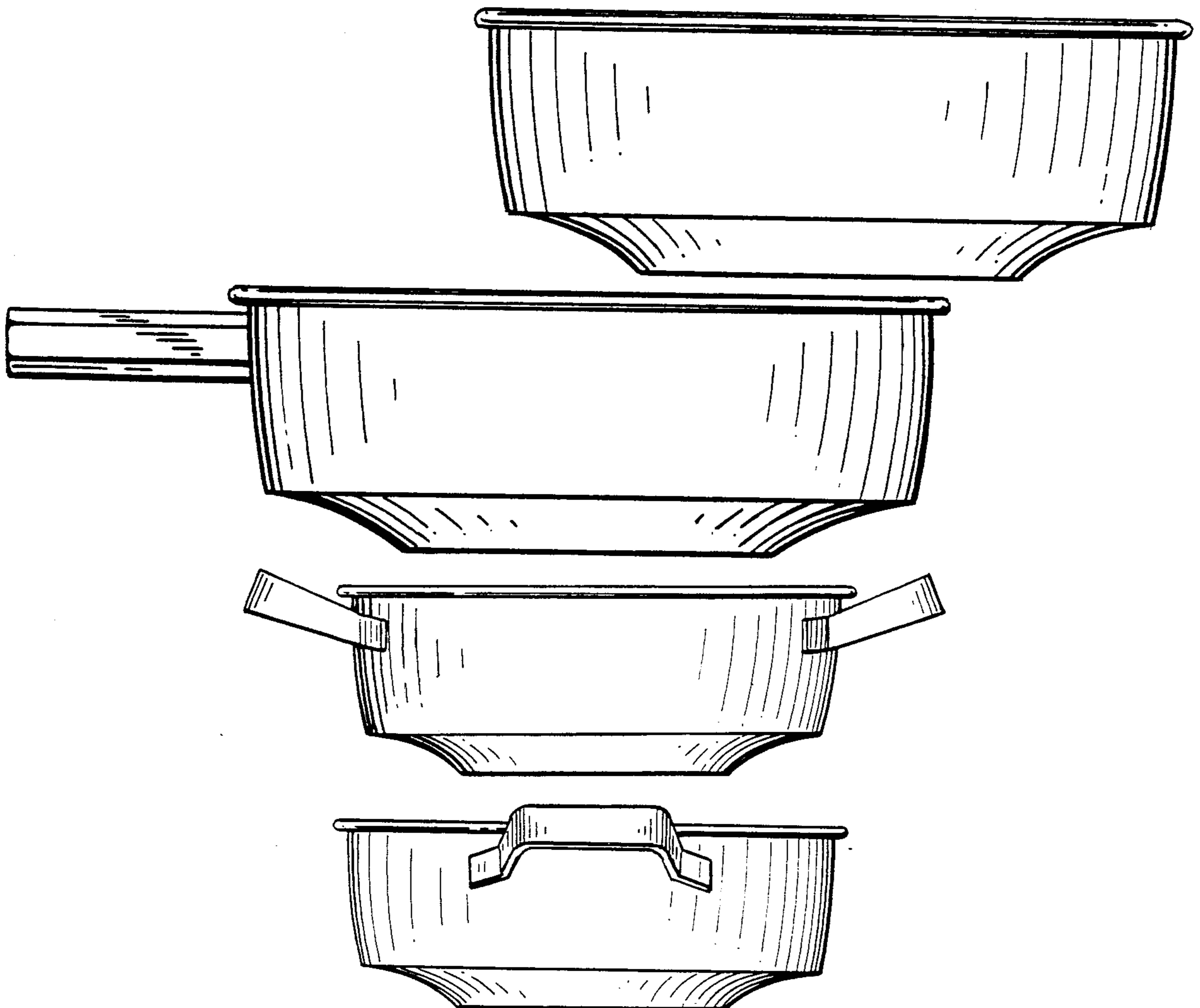


FIG. 1

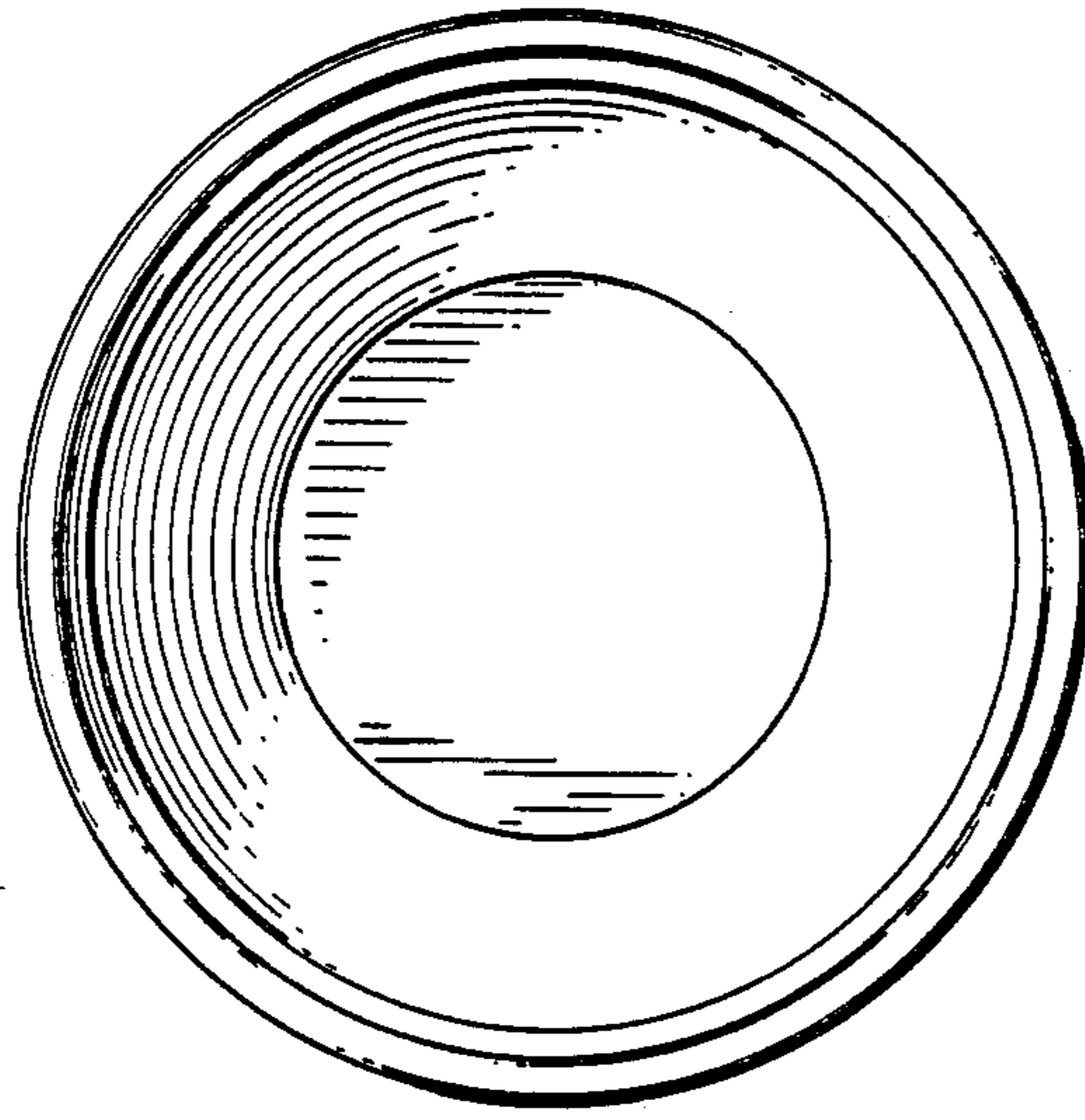


FIG. 2

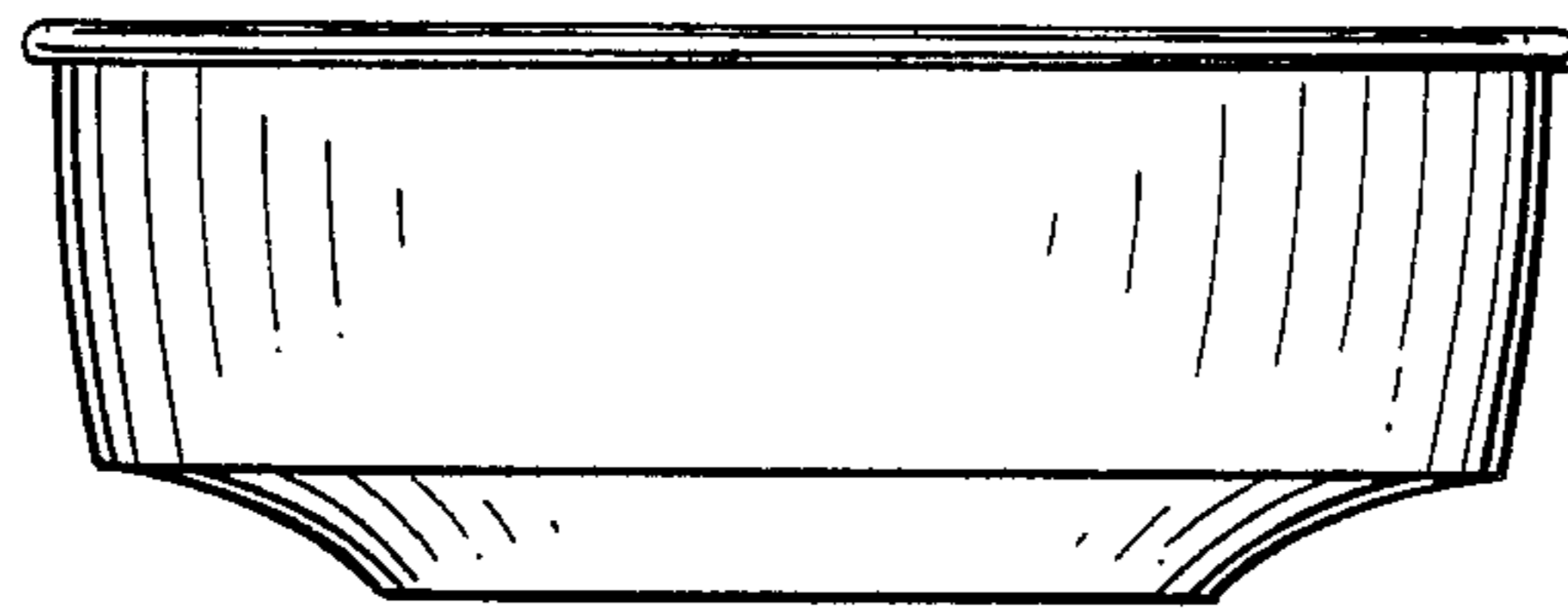
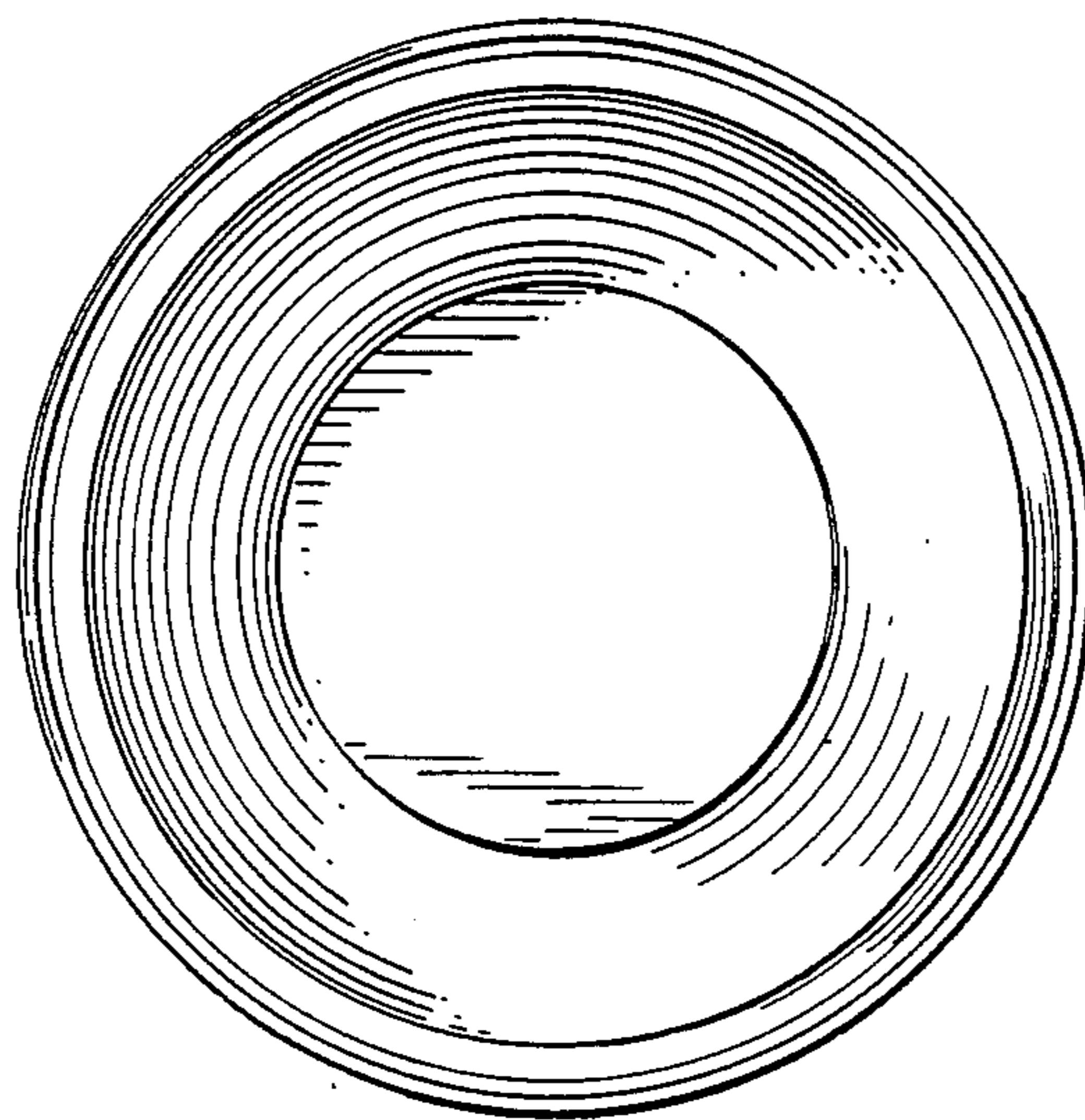


FIG. 3



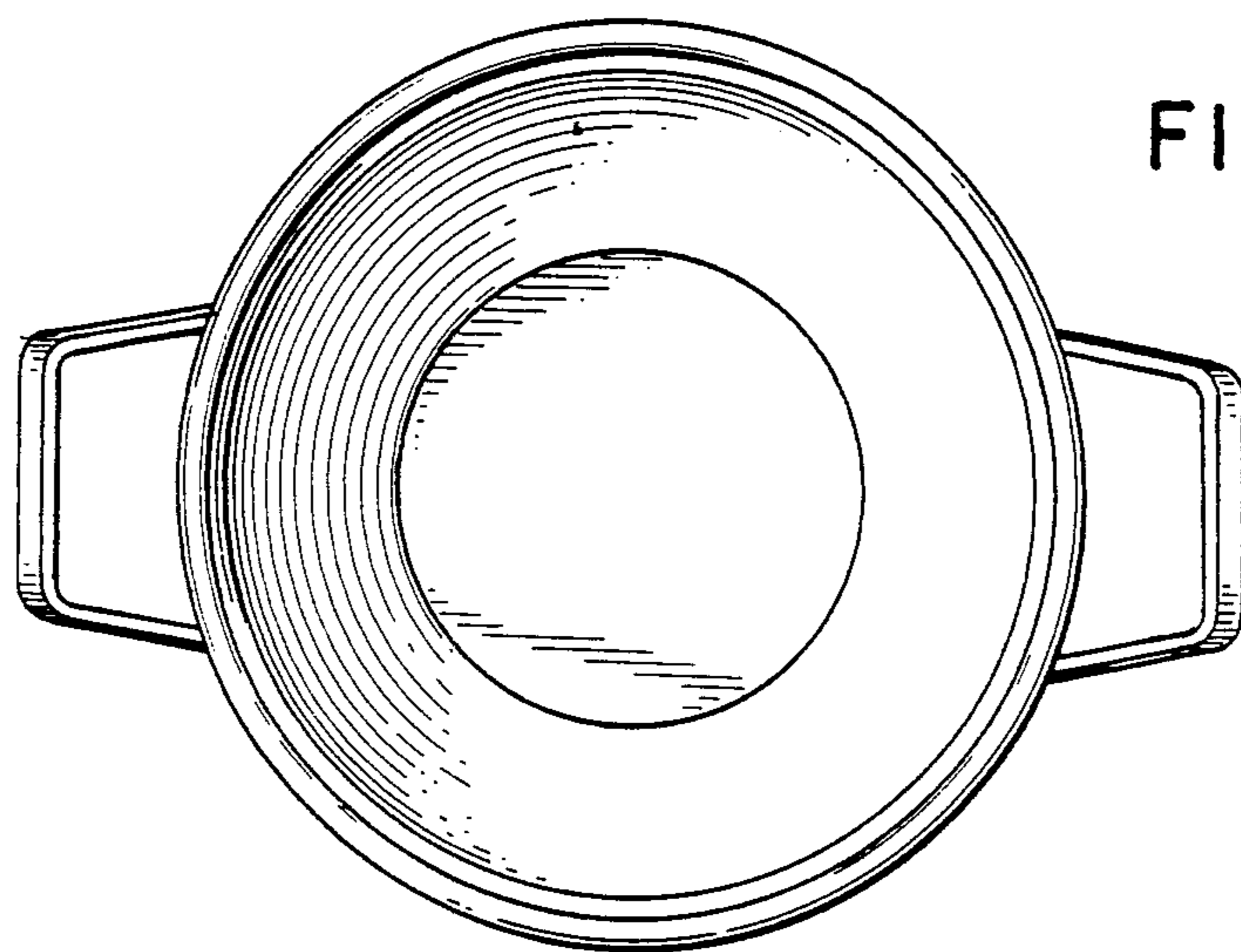


FIG. 4

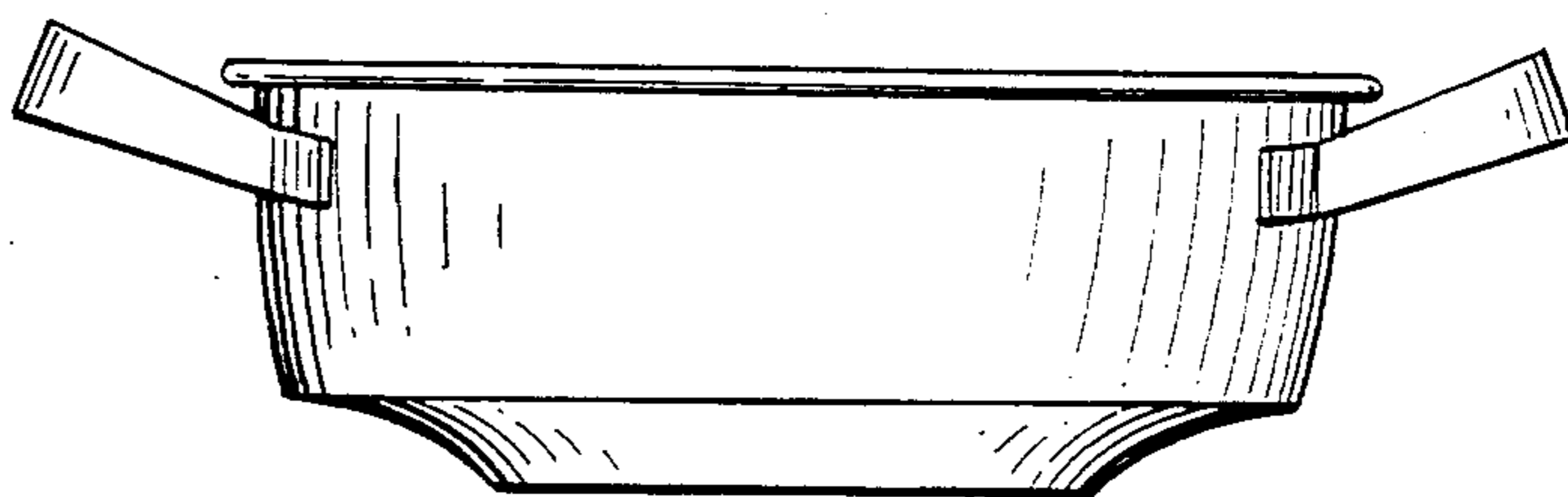


FIG. 5

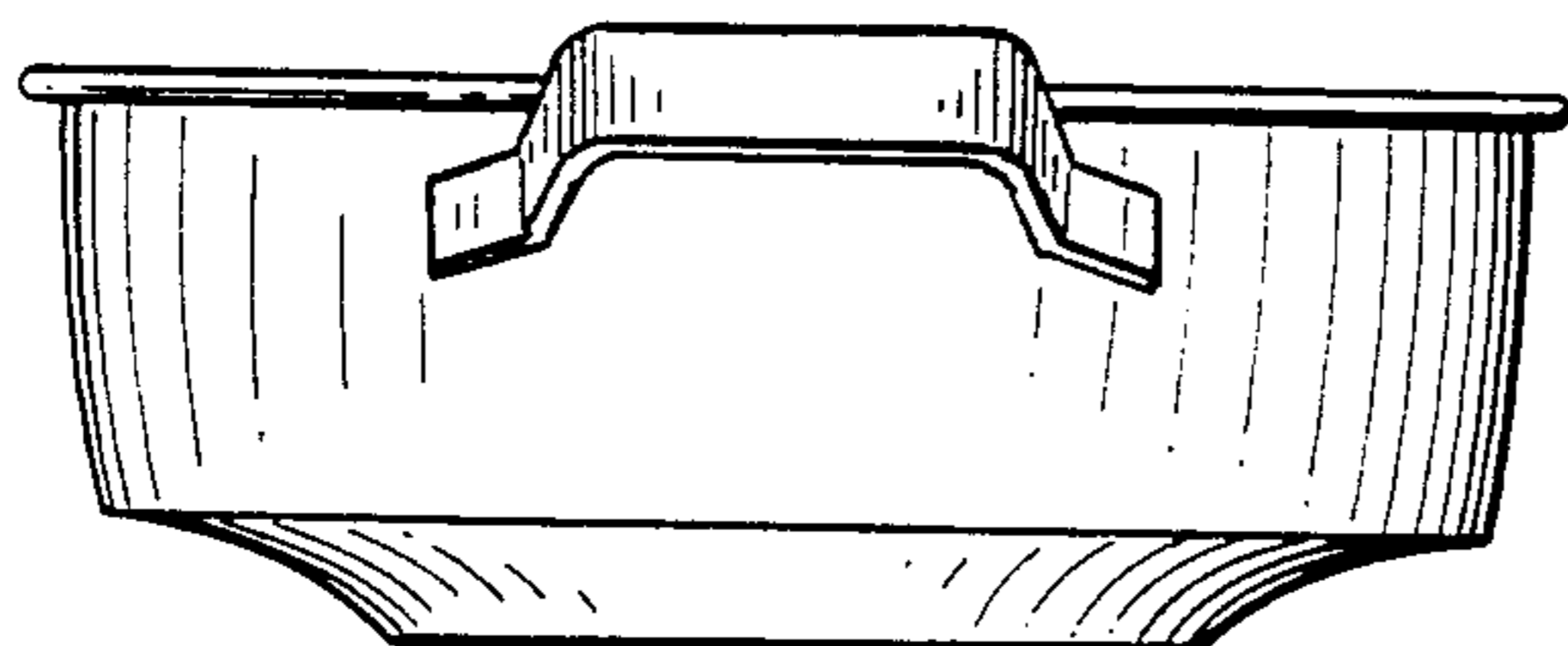


FIG. 6

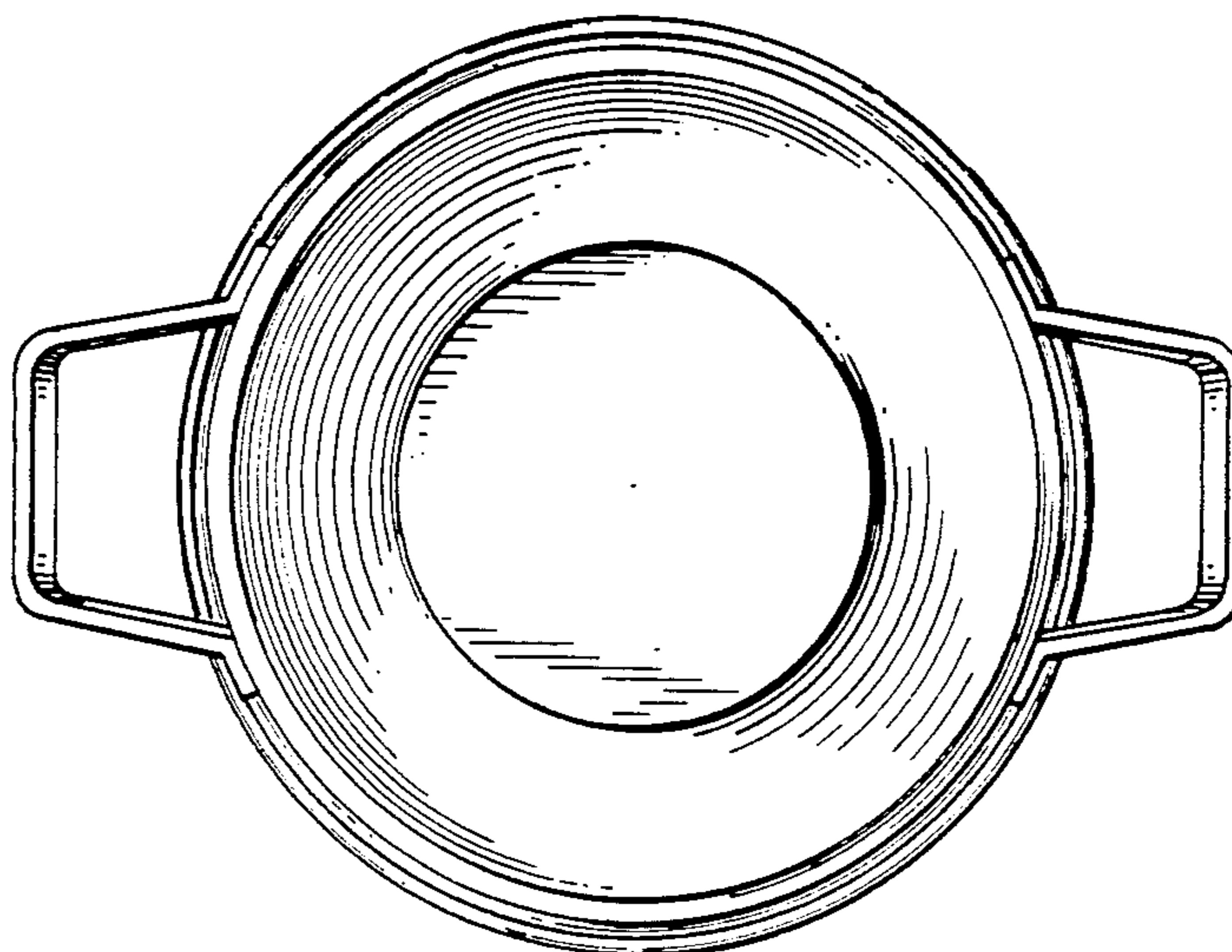
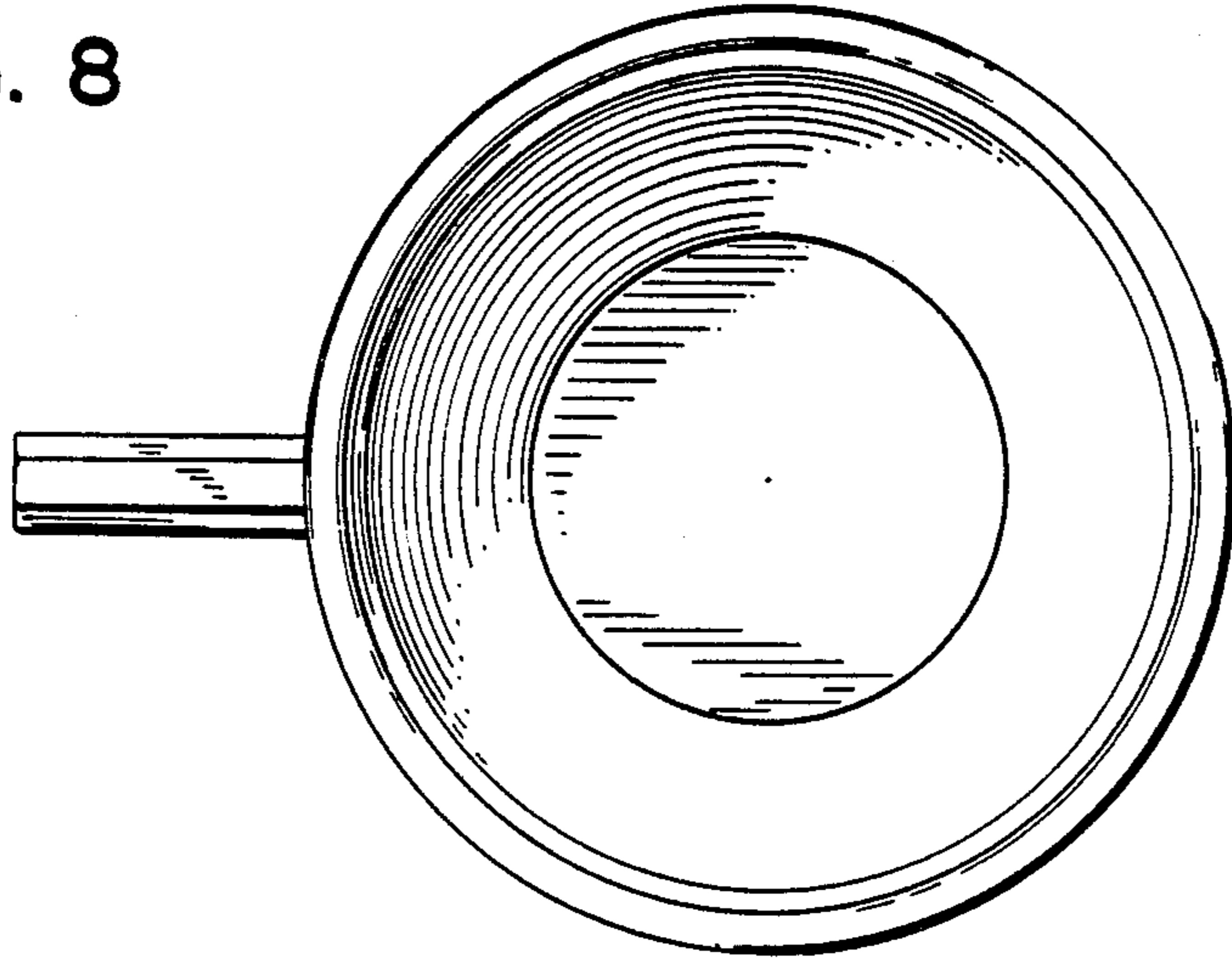


FIG. 7

FIG. 8



D293,872 F

FIG. 9

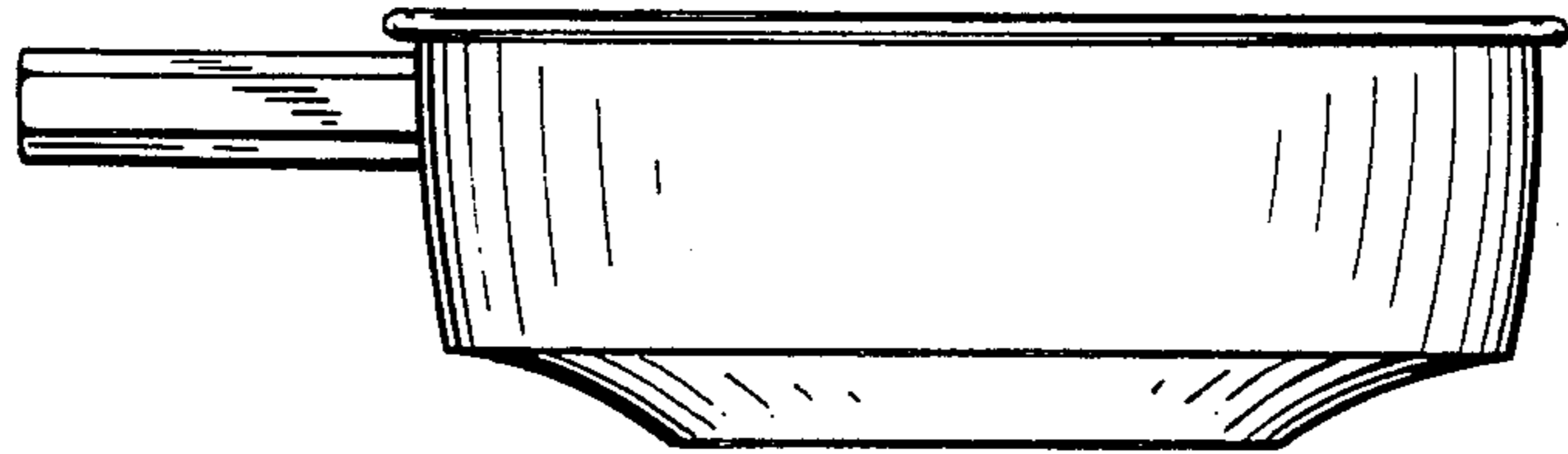


FIG. 10

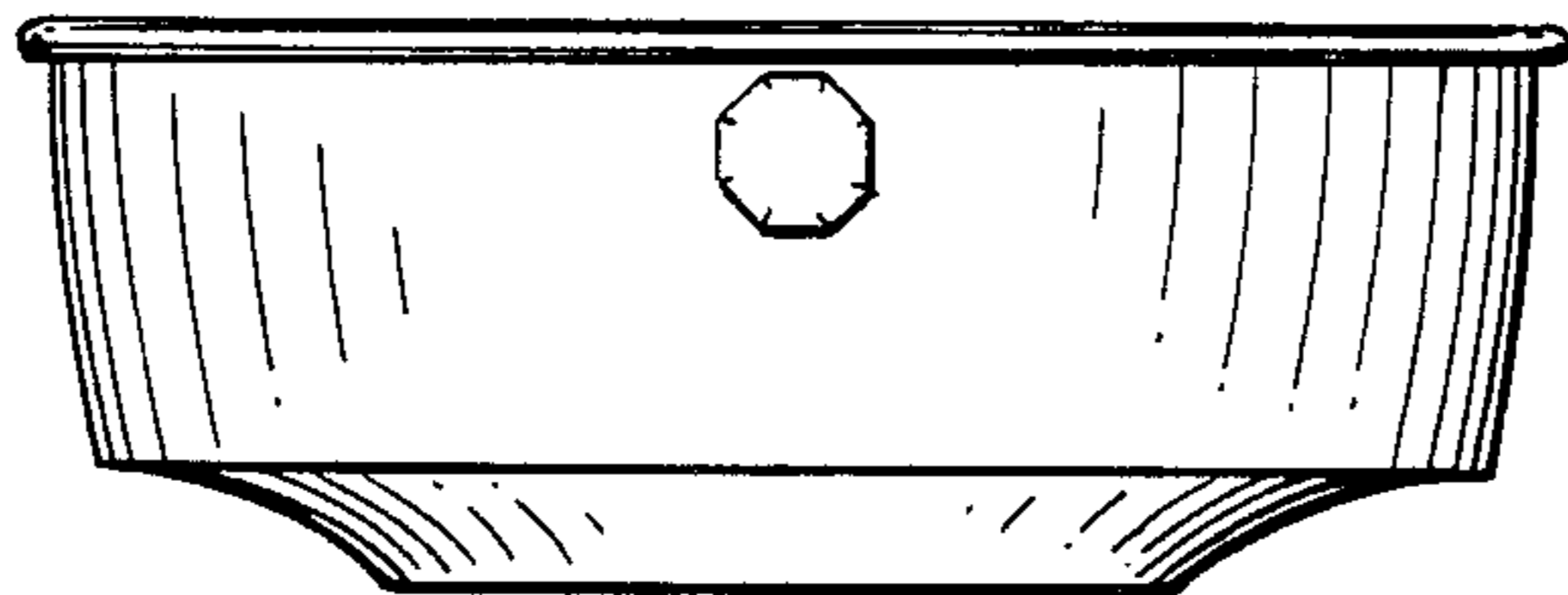


FIG. 11

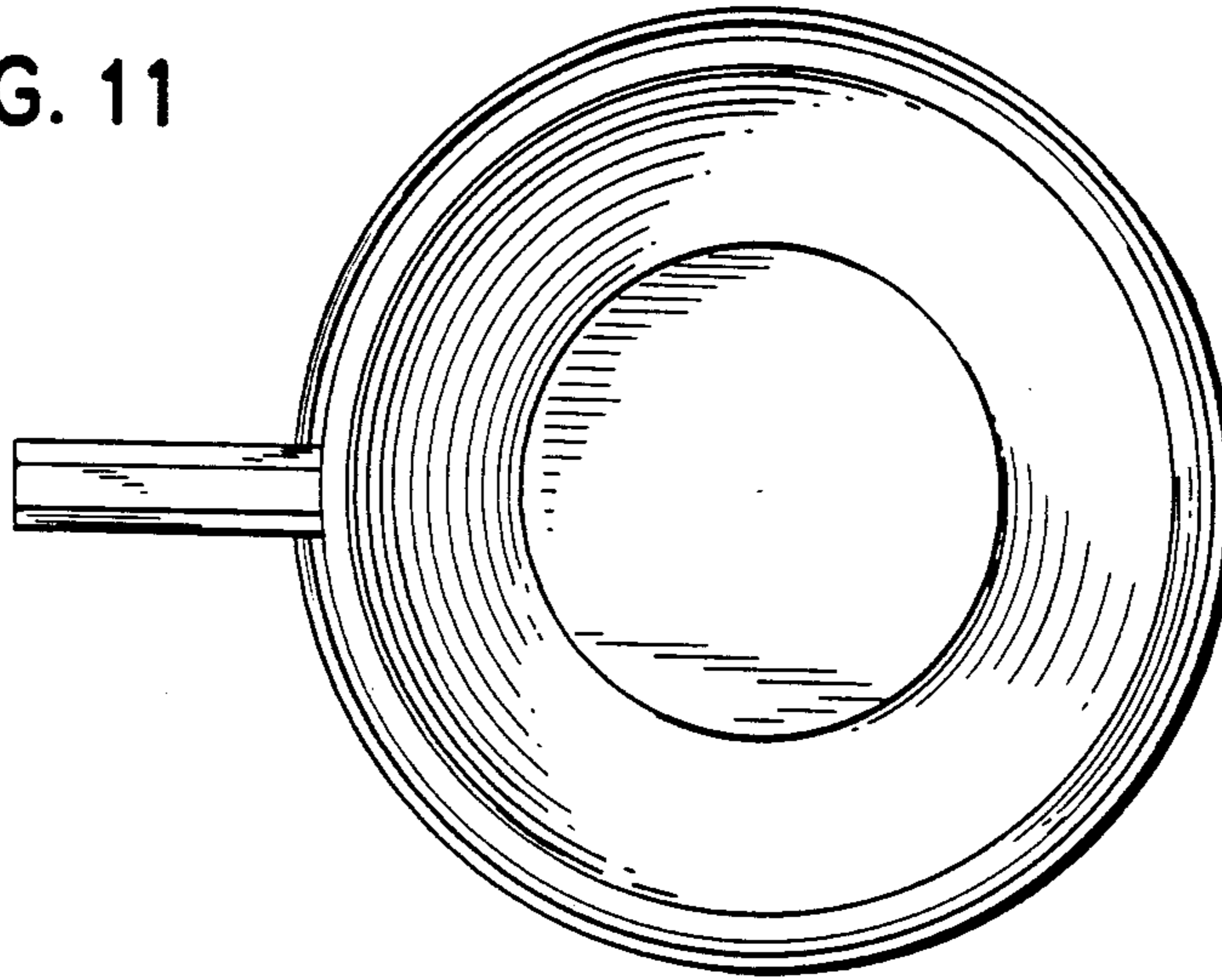


FIG. 12

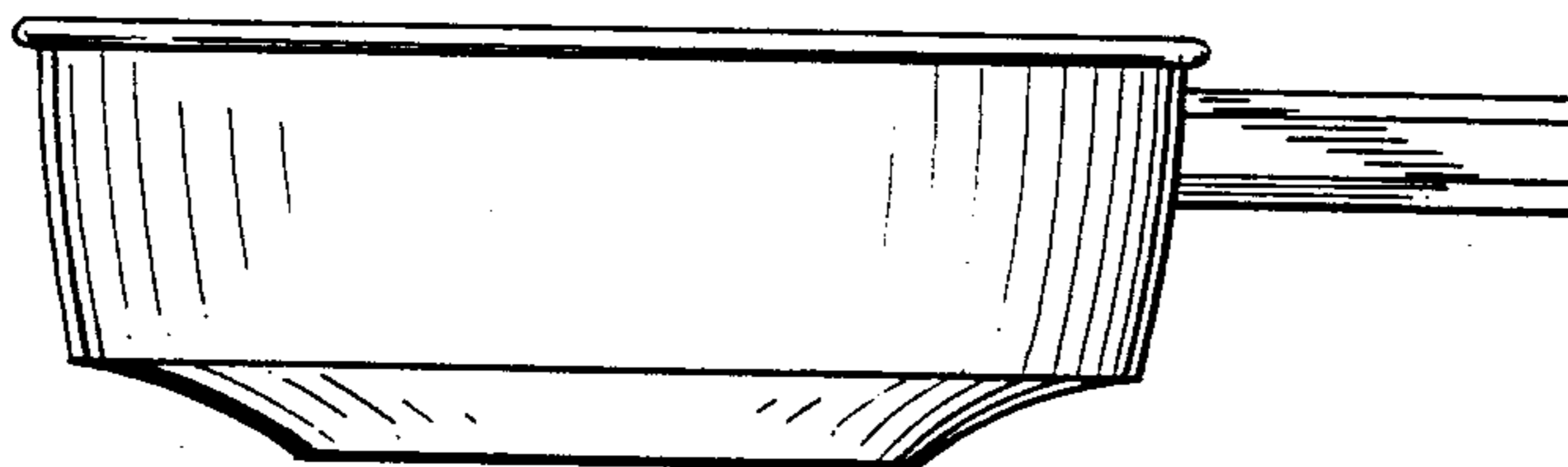


FIG. 13

