

[54] TUMBLER OR SIMILAR ARTICLE

[76] Inventor: Jean-Jacques Durand, LaBute 62510, Arques, France

[**] Term: 14 Years

[21] Appl. No.: 770,521

[22] Filed: Aug. 29, 1985

[52] U.S. Cl. D7/6; D7/14

[58] Field of Search D7/6, 14, 15, 11-13

[56] References Cited

U.S. PATENT DOCUMENTS

- D. 94,553 2/1935 Marquot D7/14
- D. 105,431 7/1937 Cobel D7/14
- D. 256,309 8/1980 Saffell D7/11

OTHER PUBLICATIONS

McCall's, 10-1953, p. 68, upper half of page, 2nd row, middle Tumbler "Terrace"-Fostoria.

Primary Examiner—Winifred E. Herrmann
Attorney, Agent, or Firm—Kimmel, Crowell & Weaver

[57] CLAIM

The ornamental design for a tumbler or similar article, substantially as shown and described.

DESCRIPTION

FIG. 1 is a side elevational view of a tumbler or similar article showing my new design, all sides being the same; FIG. 2 is a top plan view thereof; FIG. 3 is a vertical cross-sectional view thereof, taken along line 3—3 of FIG. 2; FIG. 4 is a bottom plan view thereof; FIG. 5 is a horizontal cross-sectional view thereof, taken along line 5—5 of FIG. 3; FIG. 6 is a horizontal cross-sectional view thereof, taken along line 6—6 of FIG. 3; and FIG. 7 is a horizontal cross-sectional view thereof, taken along line 7—7 of FIG. 3.

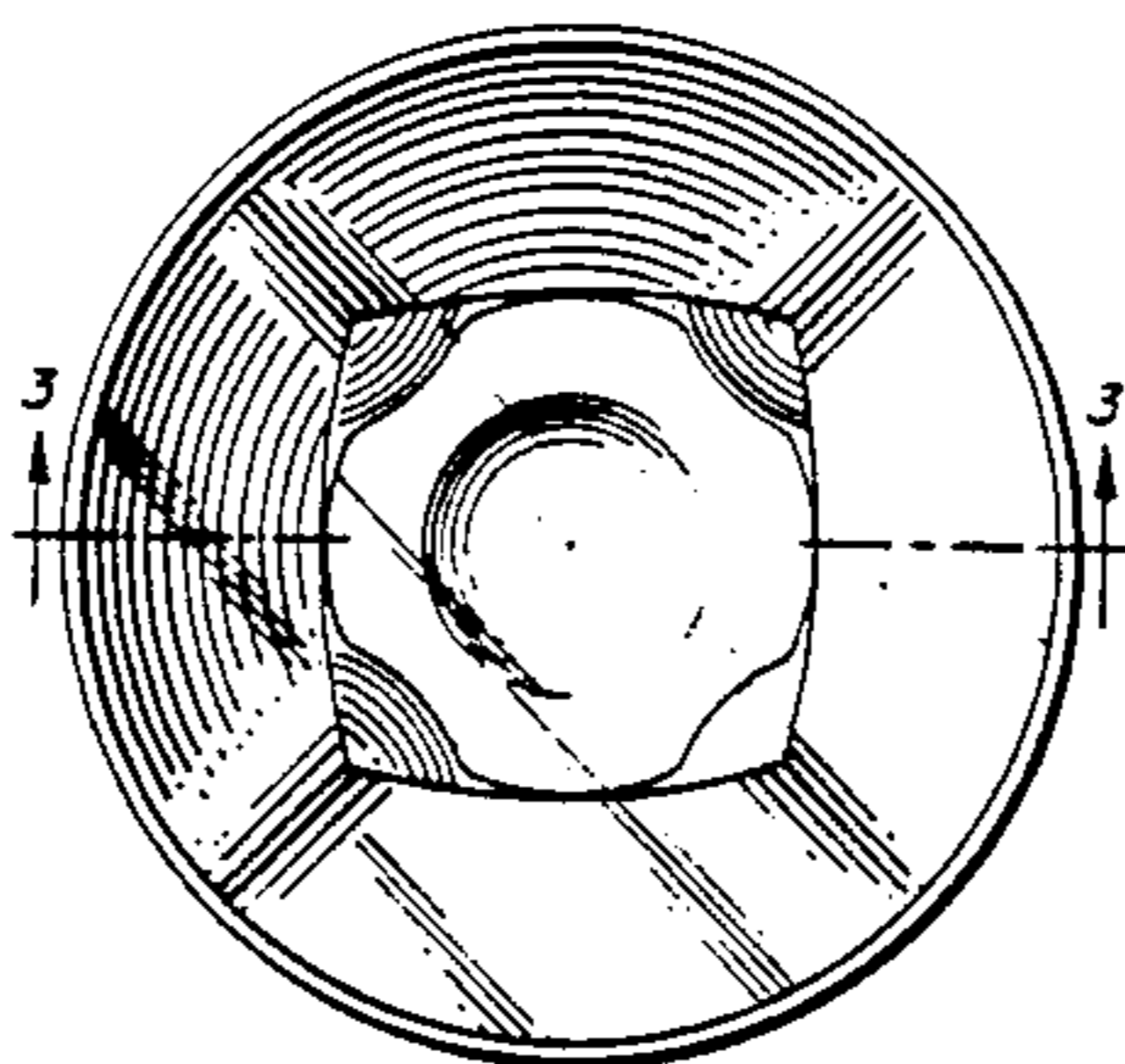
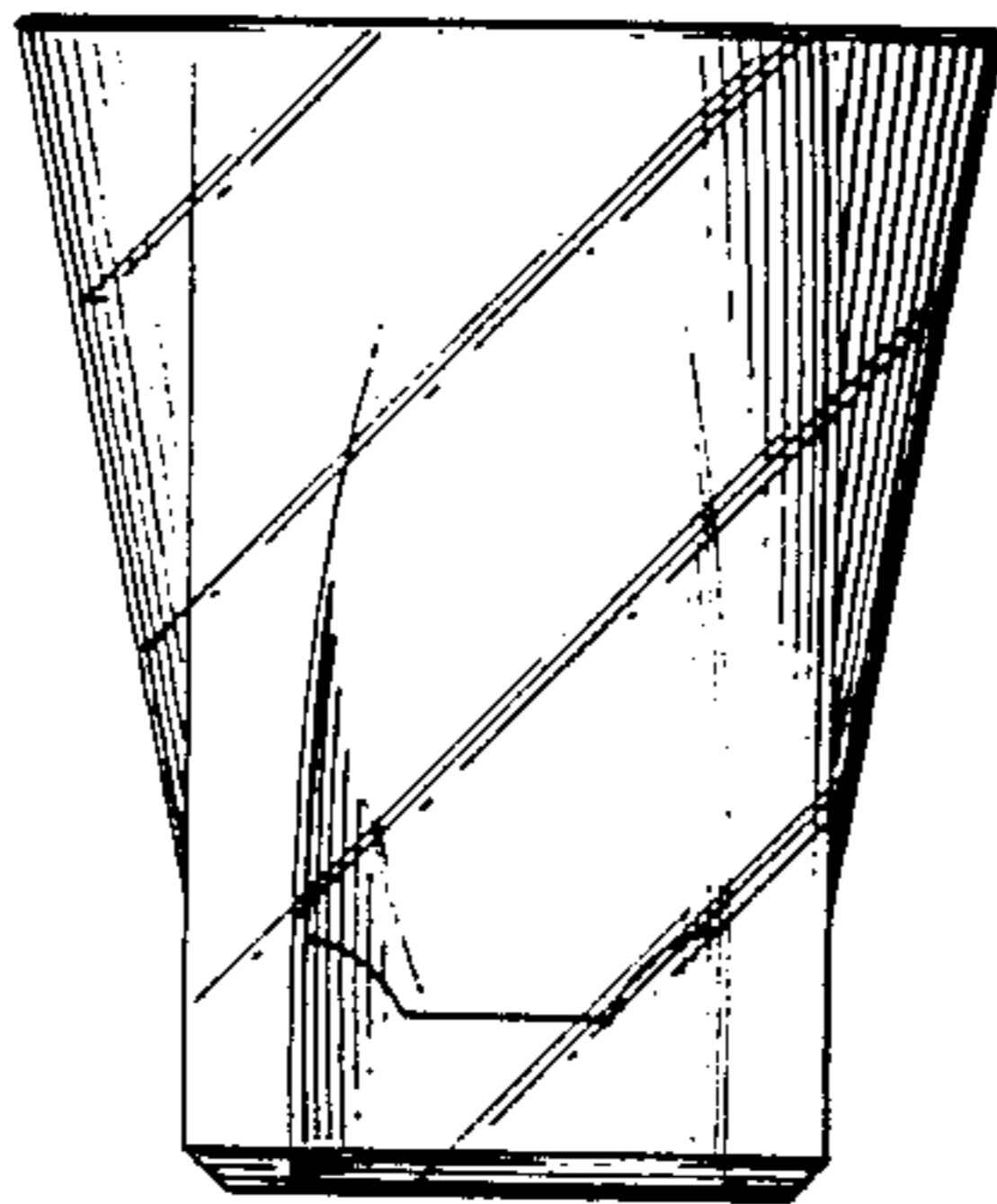


FIG. 1.

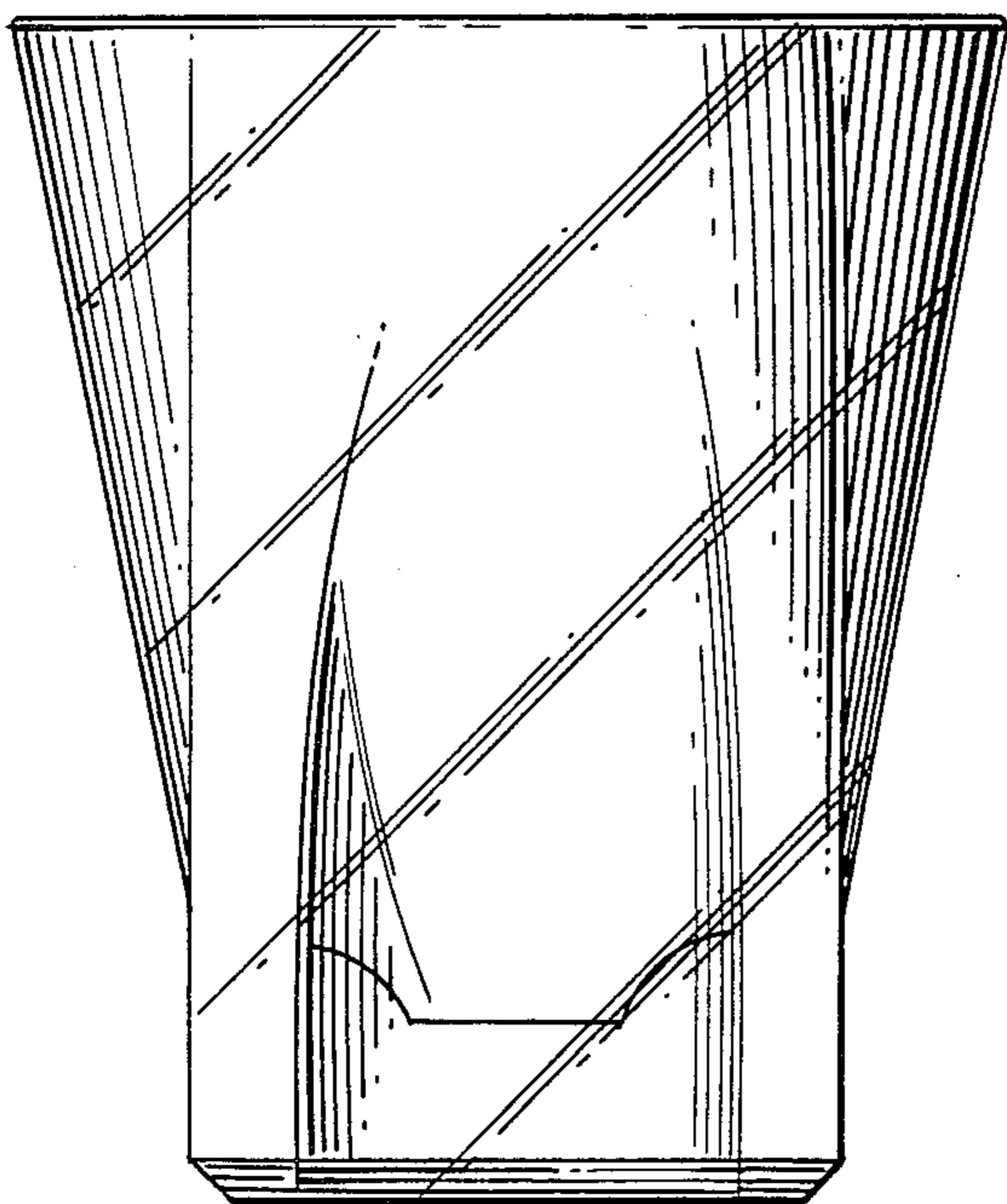


FIG. 3.

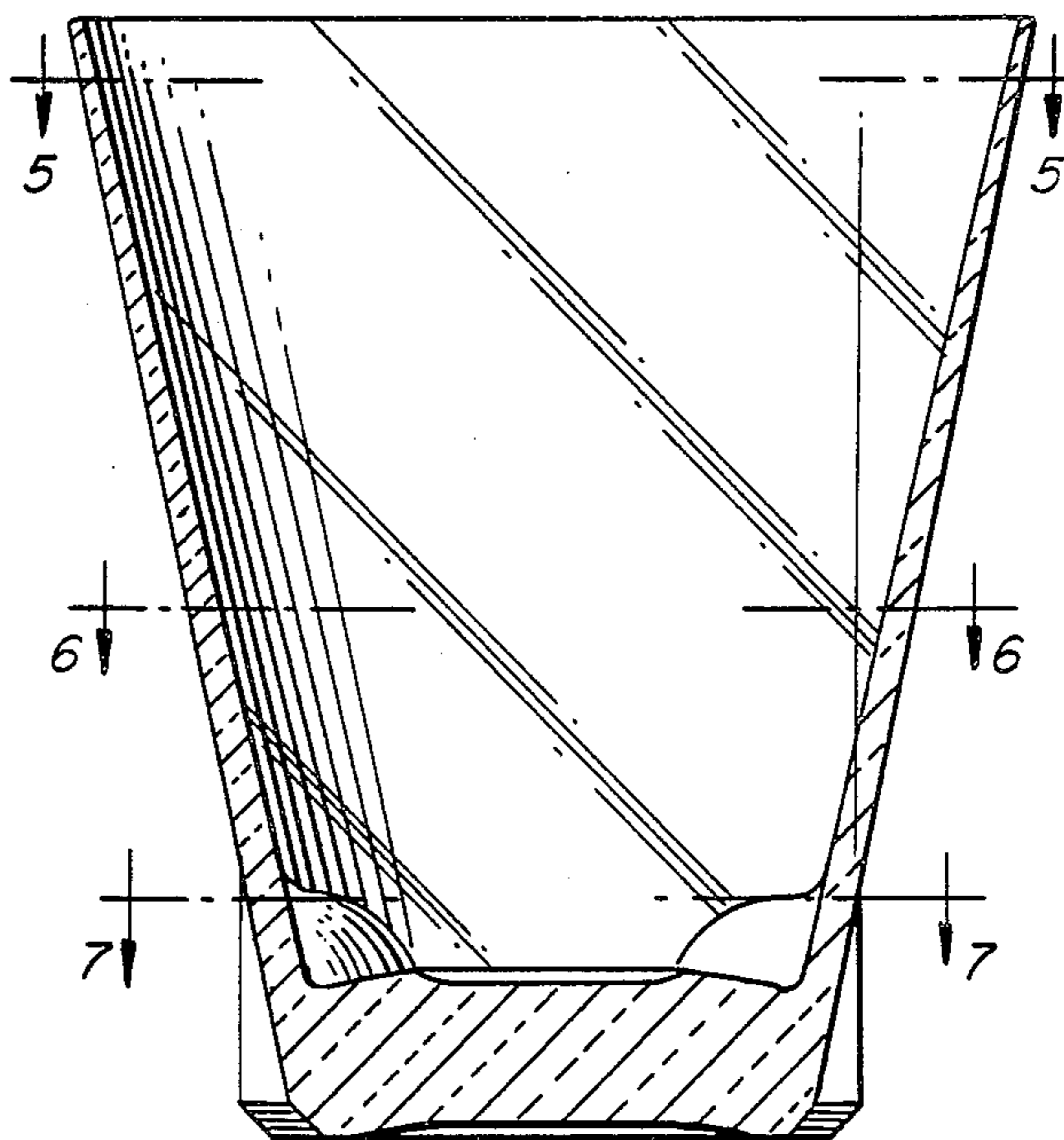


FIG. 2.

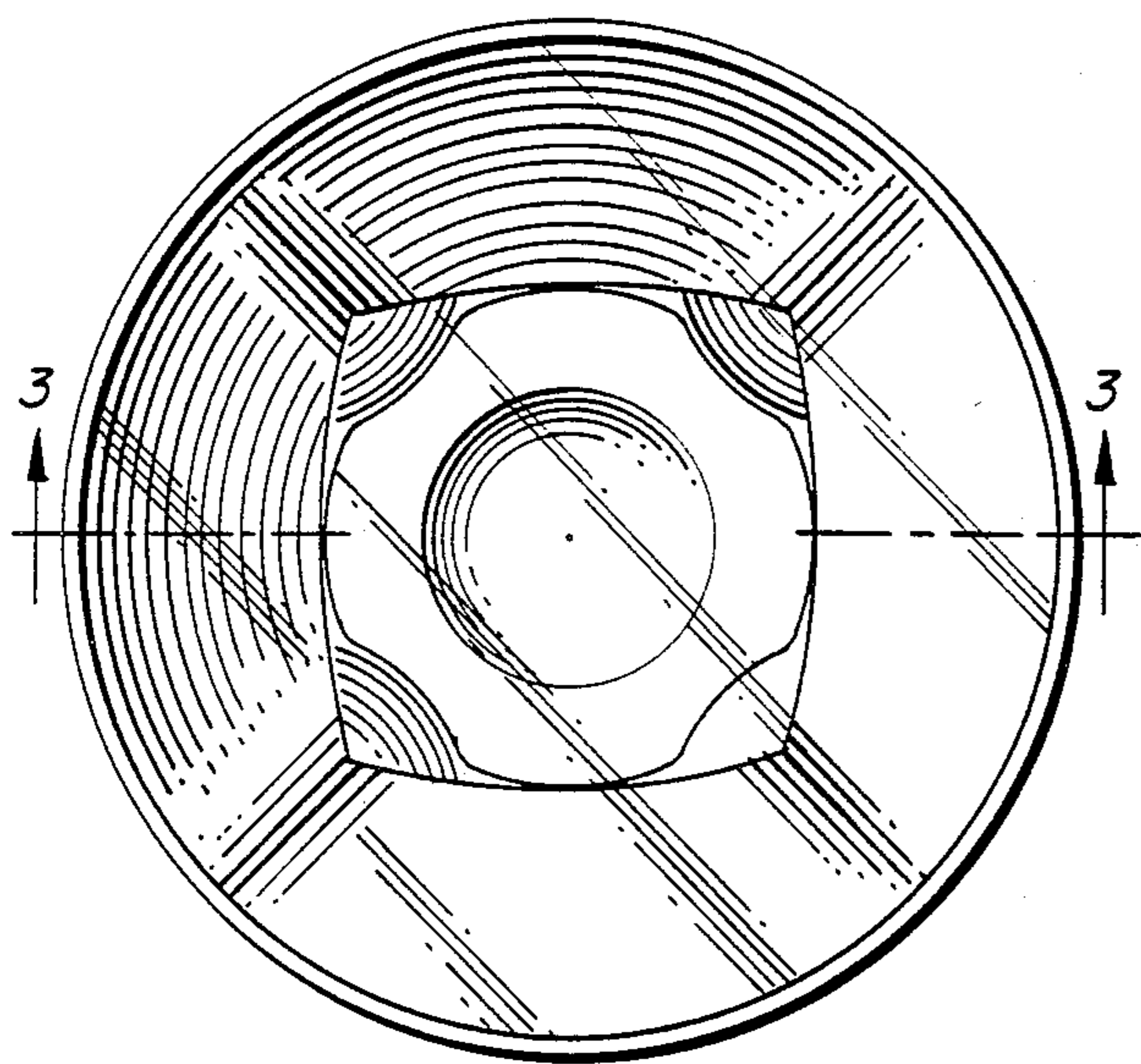


FIG. 4.

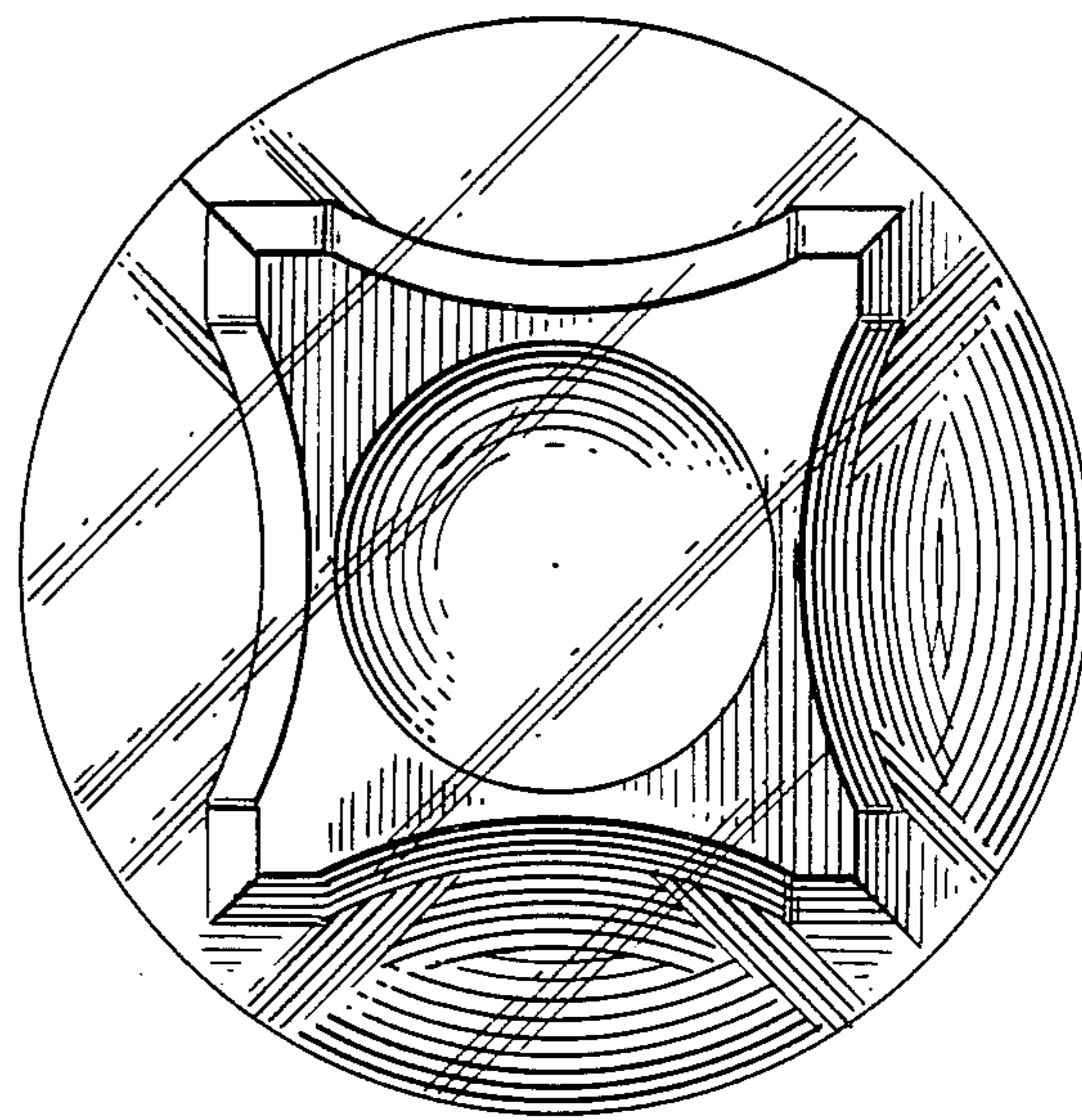


FIG. 5.

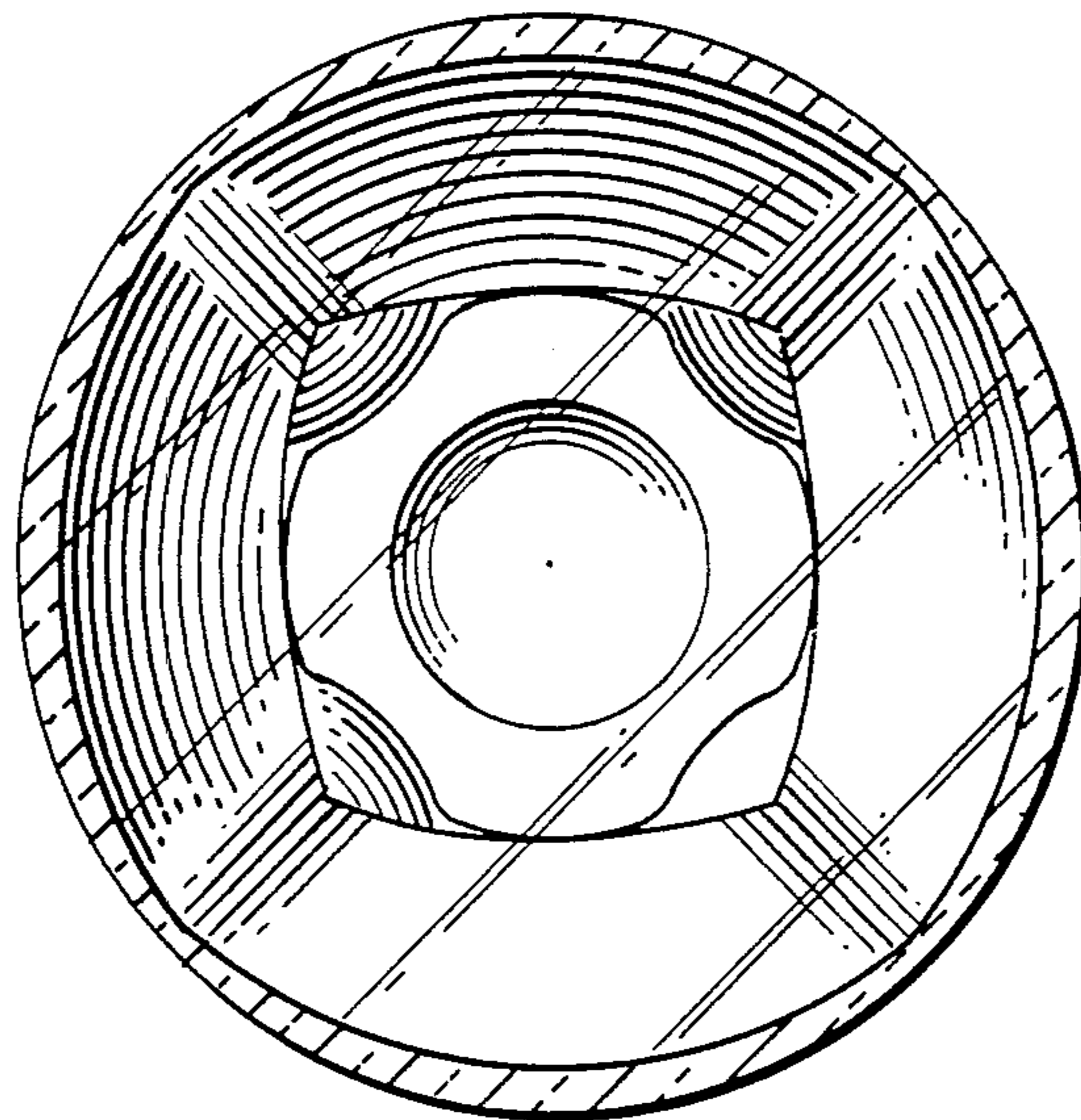


FIG. 6.

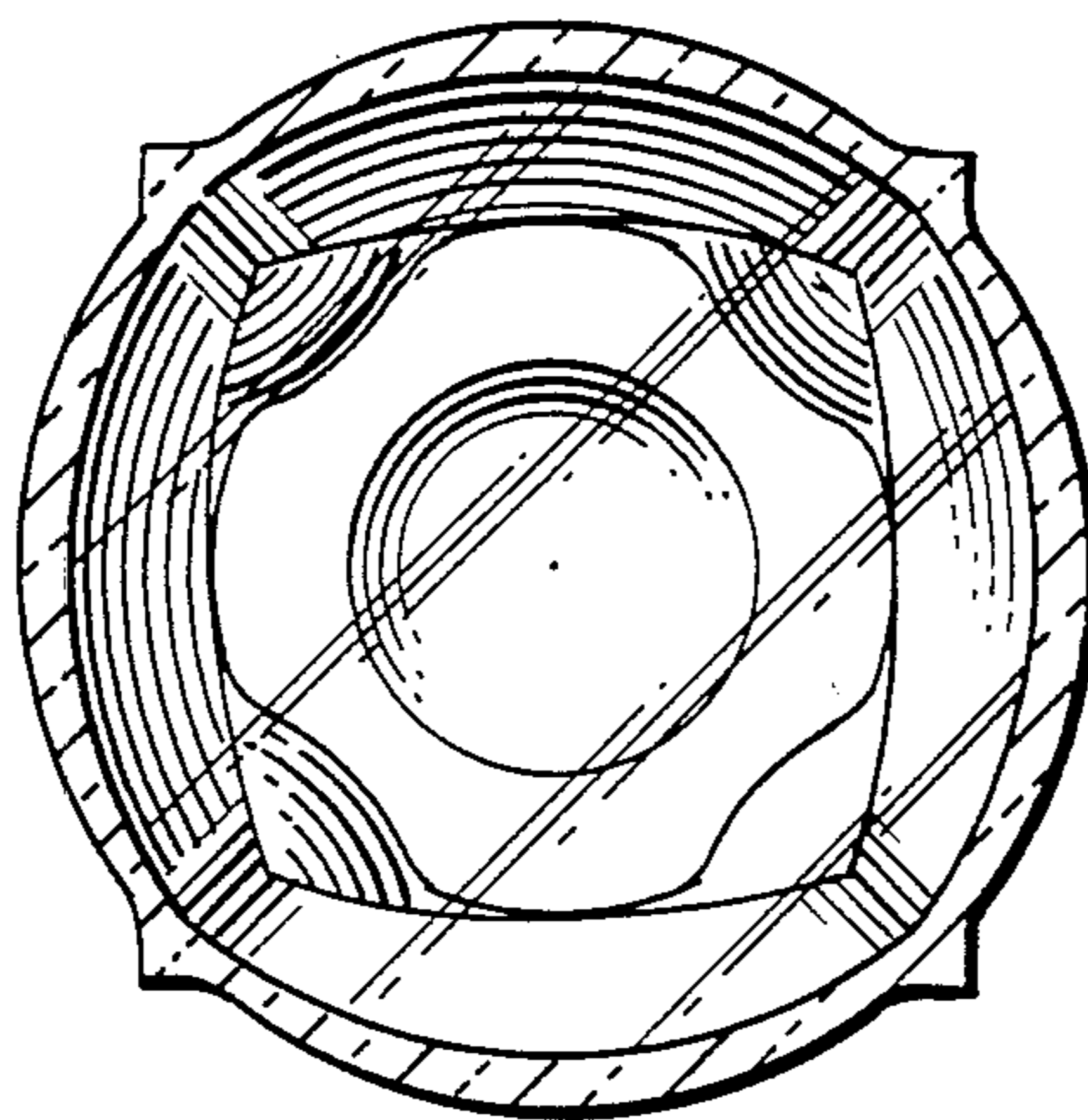


FIG. 7.

