

[54] COMBINED CUSHION AND CARRYING BAG

[76] Inventors: Helen Paletta; John R. Paletta, both of 6720 Oakwood Rd., Parma Heights, Ohio 44130

[**] Term: 14 Years

[21] Appl. No.: 736,103

[22] Filed: May 20, 1985

[52] U.S. Cl. D6/596; D3/43; D6/601; D6/611

[58] Field of Search 5/417, 419, 420; D6/596, 595, 605, 611; D3/43; 5/463

[56] References Cited

U.S. PATENT DOCUMENTS

D. 213,364	2/1969	Roberts	D6/611
D. 258,482	3/1981	Strock	D6/596
D. 271,266	11/1983	Thom	D6/595
D. 276,954	1/1985	Kruger	D3/43
3,151,909	10/1964	Gerdetz	297/188
3,763,972	10/1973	Karzmar	297/188 X
4,597,605	7/1986	Gilbert	5/419 X

Primary Examiner—Winifred E. Herrmann
Attorney, Agent, or Firm—Fay, Sharpe, Beall, Fagan,
Minnich & McKee

[57] CLAIM

The ornamental design for a combined cushion and carrying bag, as shown and described.

DESCRIPTION

FIG. 1 is a front elevational view of a combined cushion and carrying bag showing our new design;
 FIG. 2 is a right side elevational view thereof (the left side elevational view being a mirror image of FIG. 2);
 FIG. 3 is a rear elevational view thereof;
 FIG. 4 is a top plan view thereof;
 FIG. 5 is a bottom plan view thereof;
 FIG. 6 is a perspective view thereof; showing the cushion in open position;
 FIG. 7 is a perspective view thereof, showing the combined cushion and carrying bag in folded position for carrying;
 FIG. 8 is a front elevational view of a combined cushion and carrying bag showing a modified version of our new design;
 FIG. 9 is a right side elevational view thereof (the left side elevational view being a mirror image of FIG. 9);
 FIG. 10 is a rear elevational view thereof;
 FIG. 11 is a top plan view thereof;
 FIG. 12 is a bottom plan view thereof;
 FIG. 13 is a perspective view thereof, showing the cushion in open position; and
 FIG. 14 is a perspective view thereof, showing the combined cushion and carrying bag in folded position for carrying.

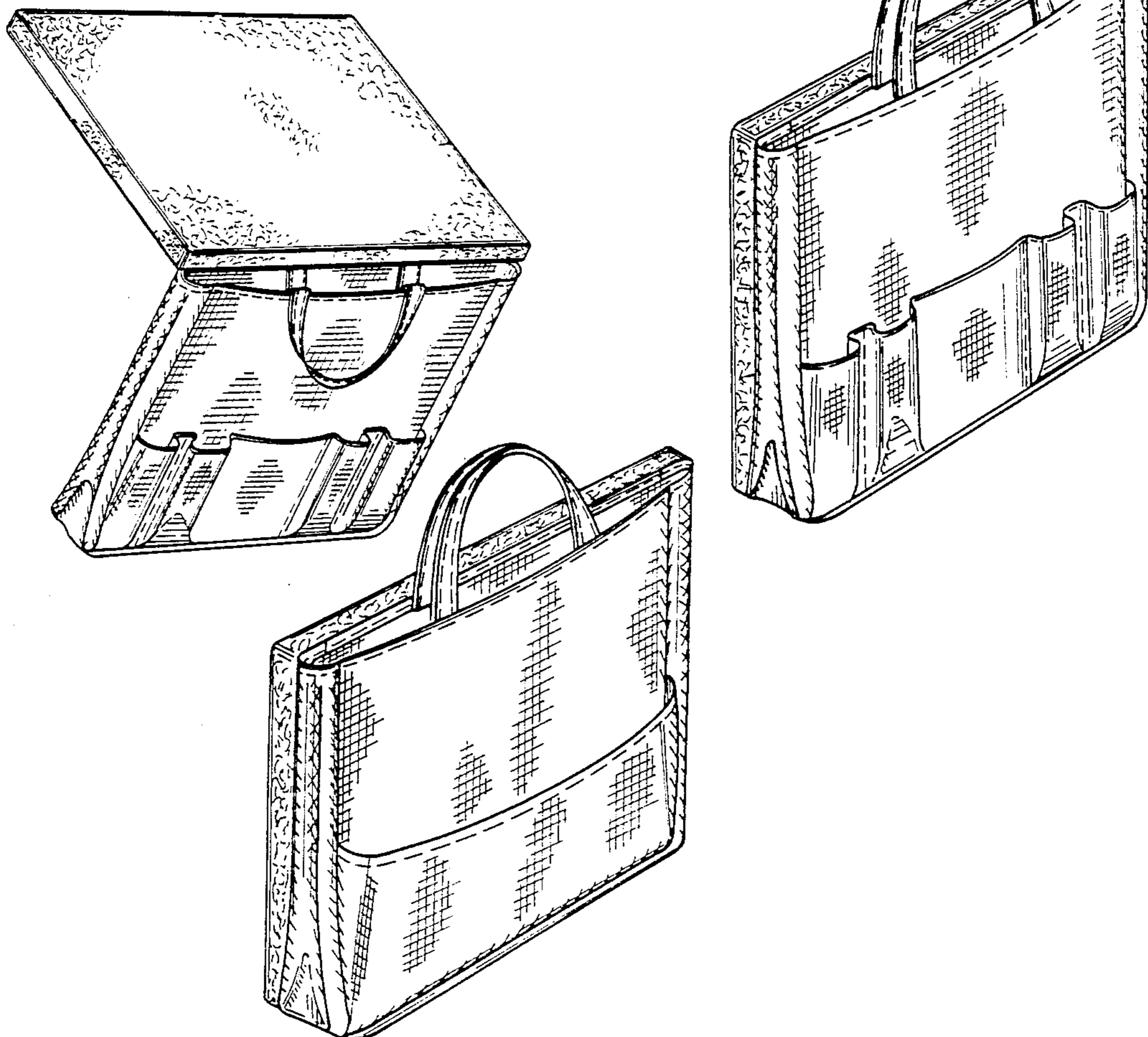


FIG. 2

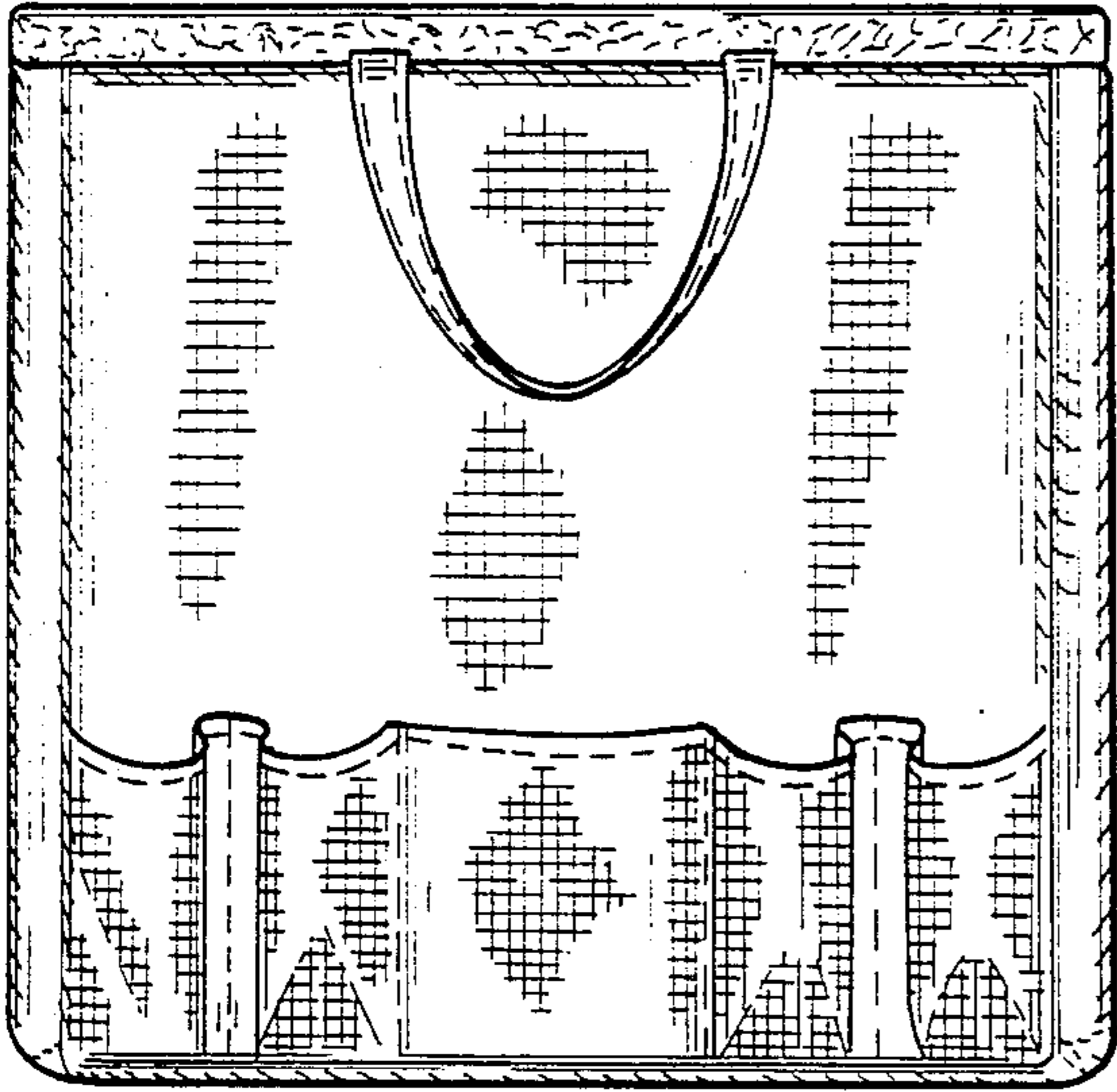
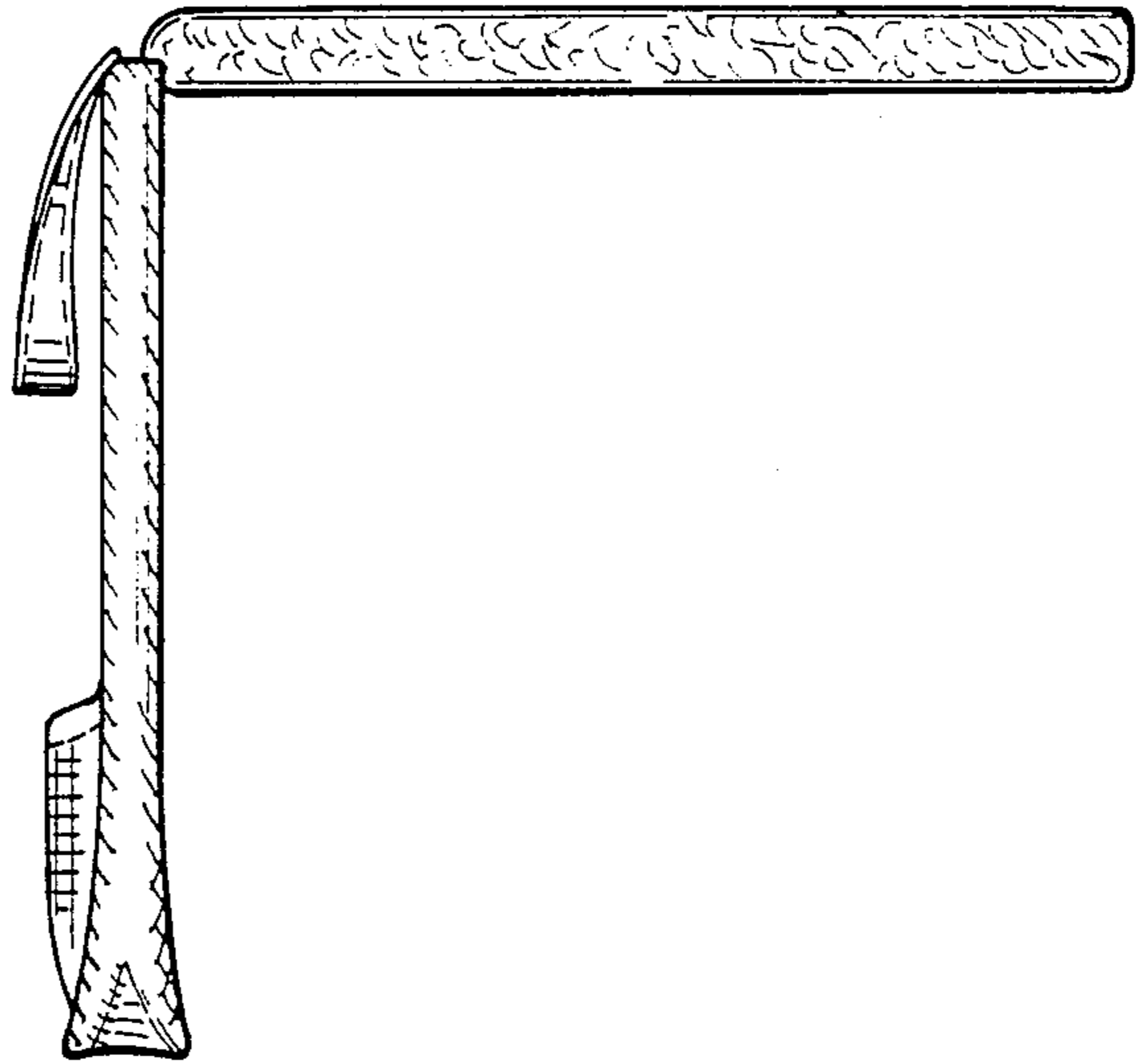


FIG. 1

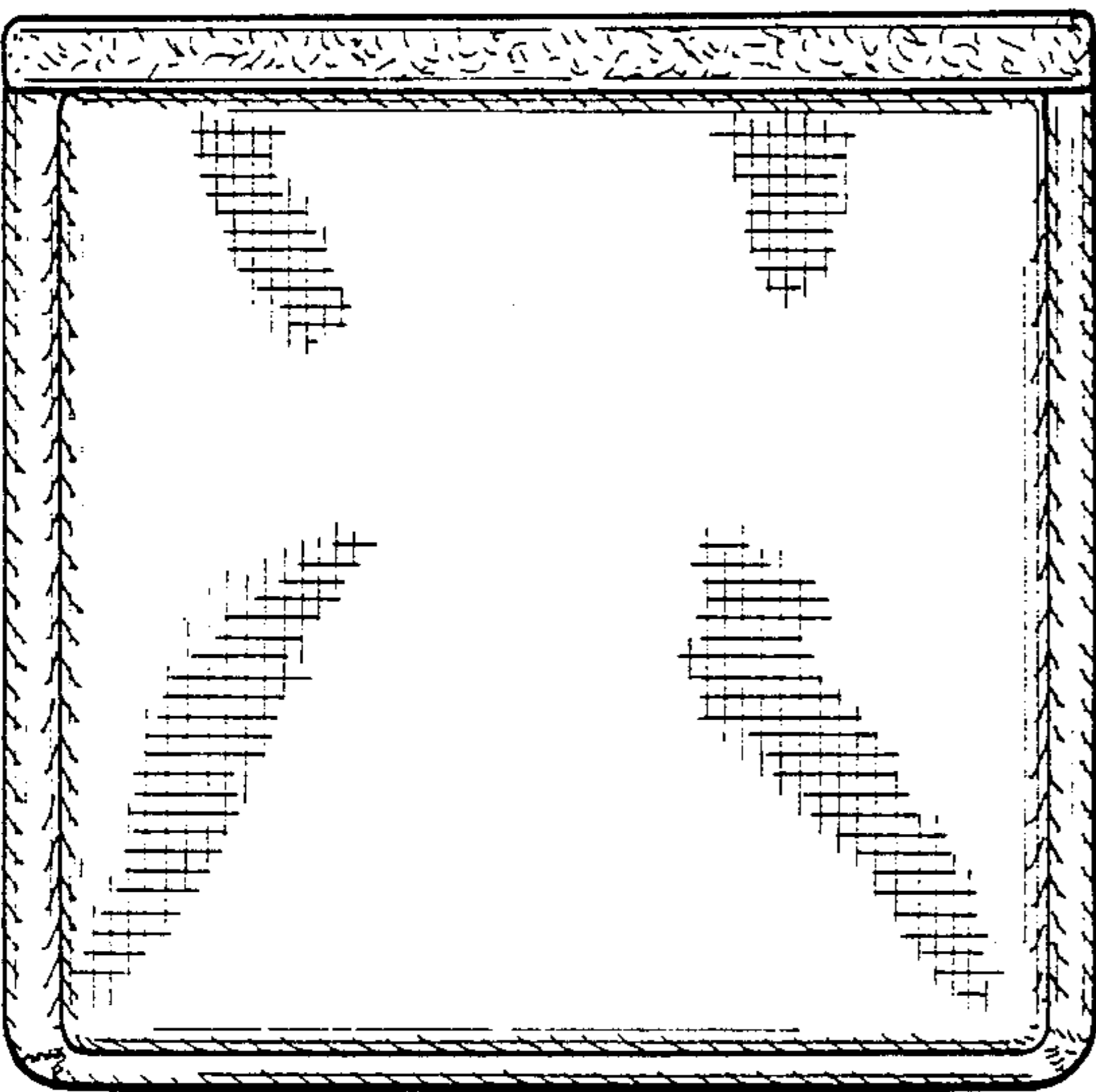


FIG. 3

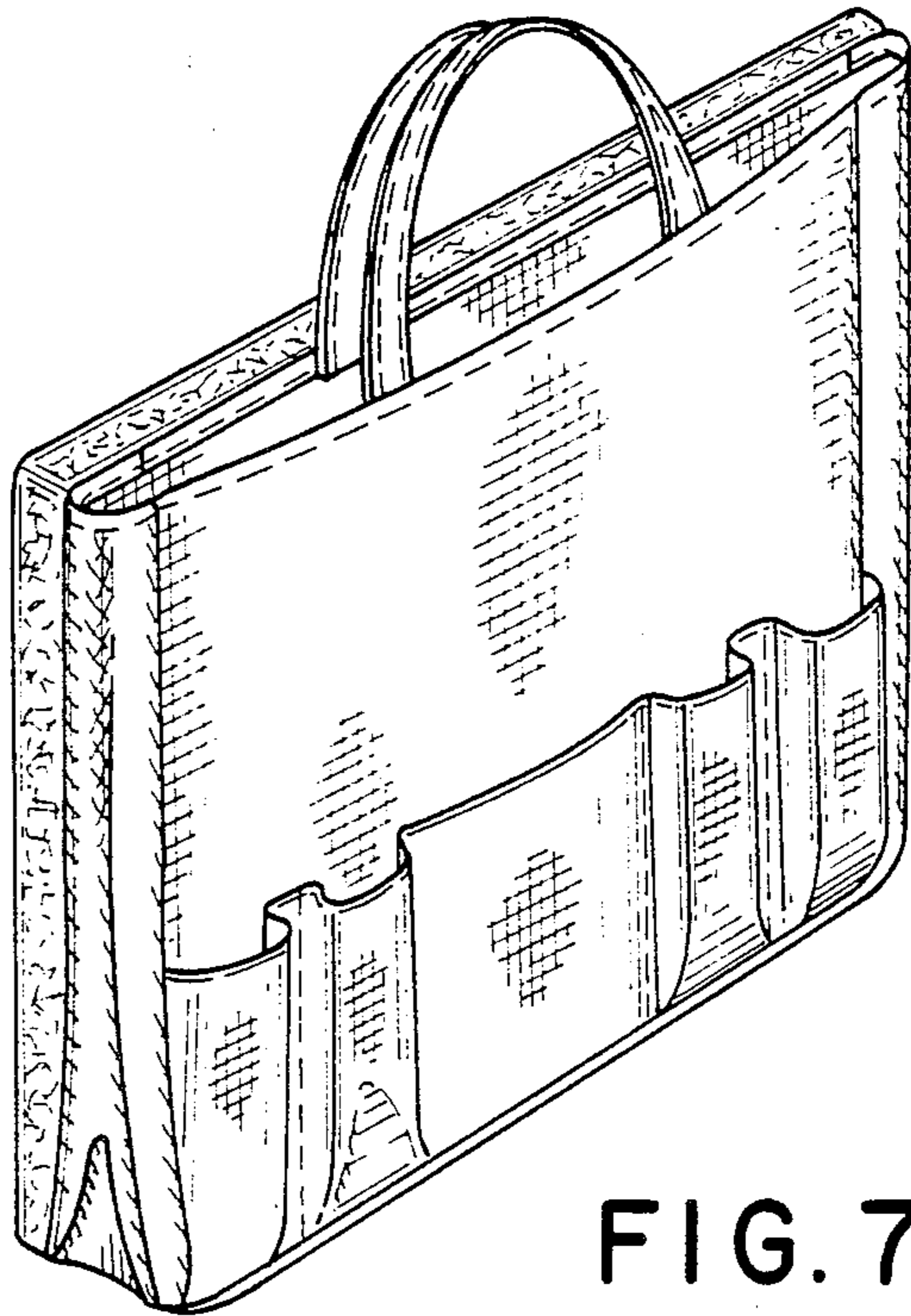


FIG. 7

FIG. 4

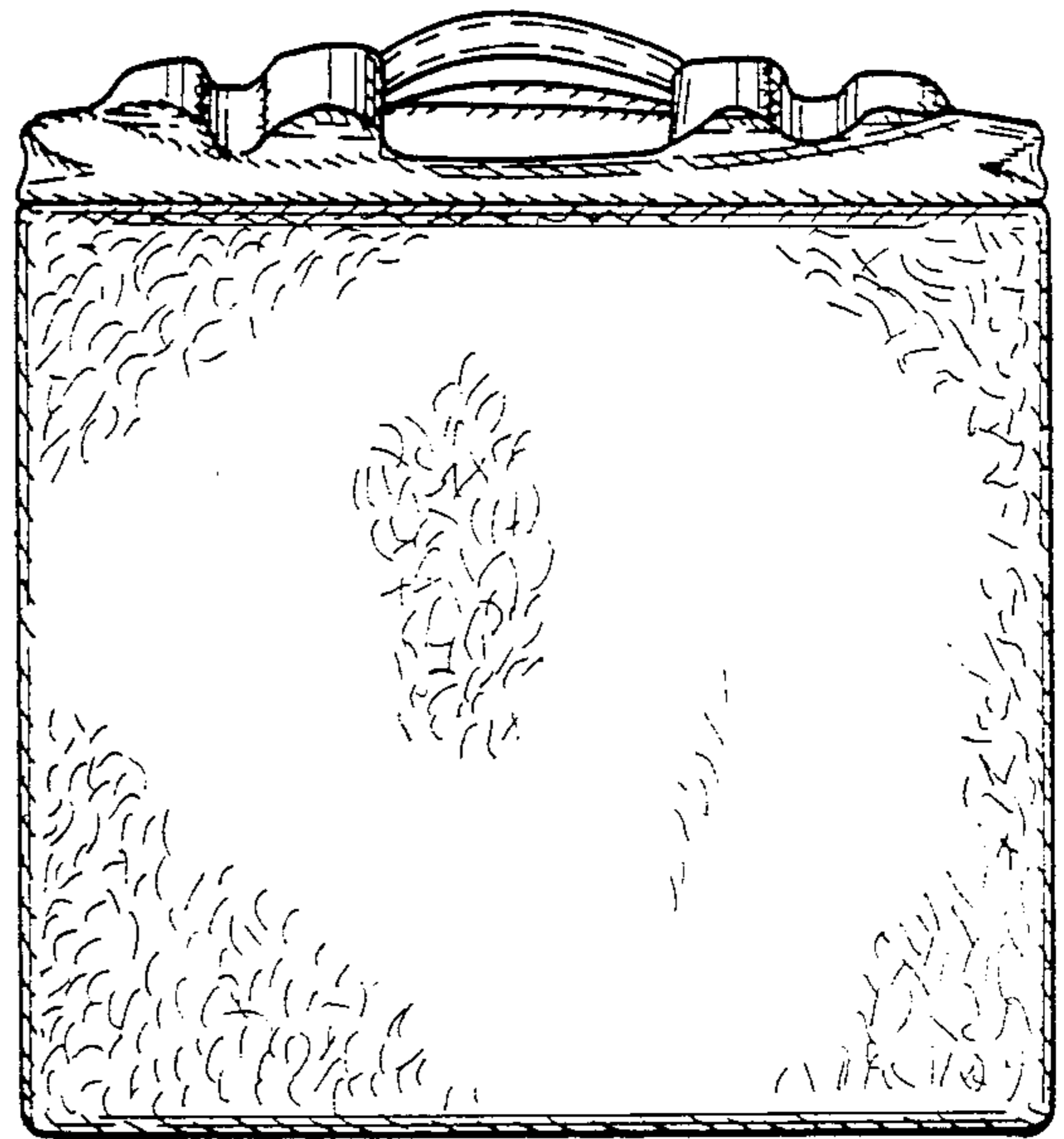
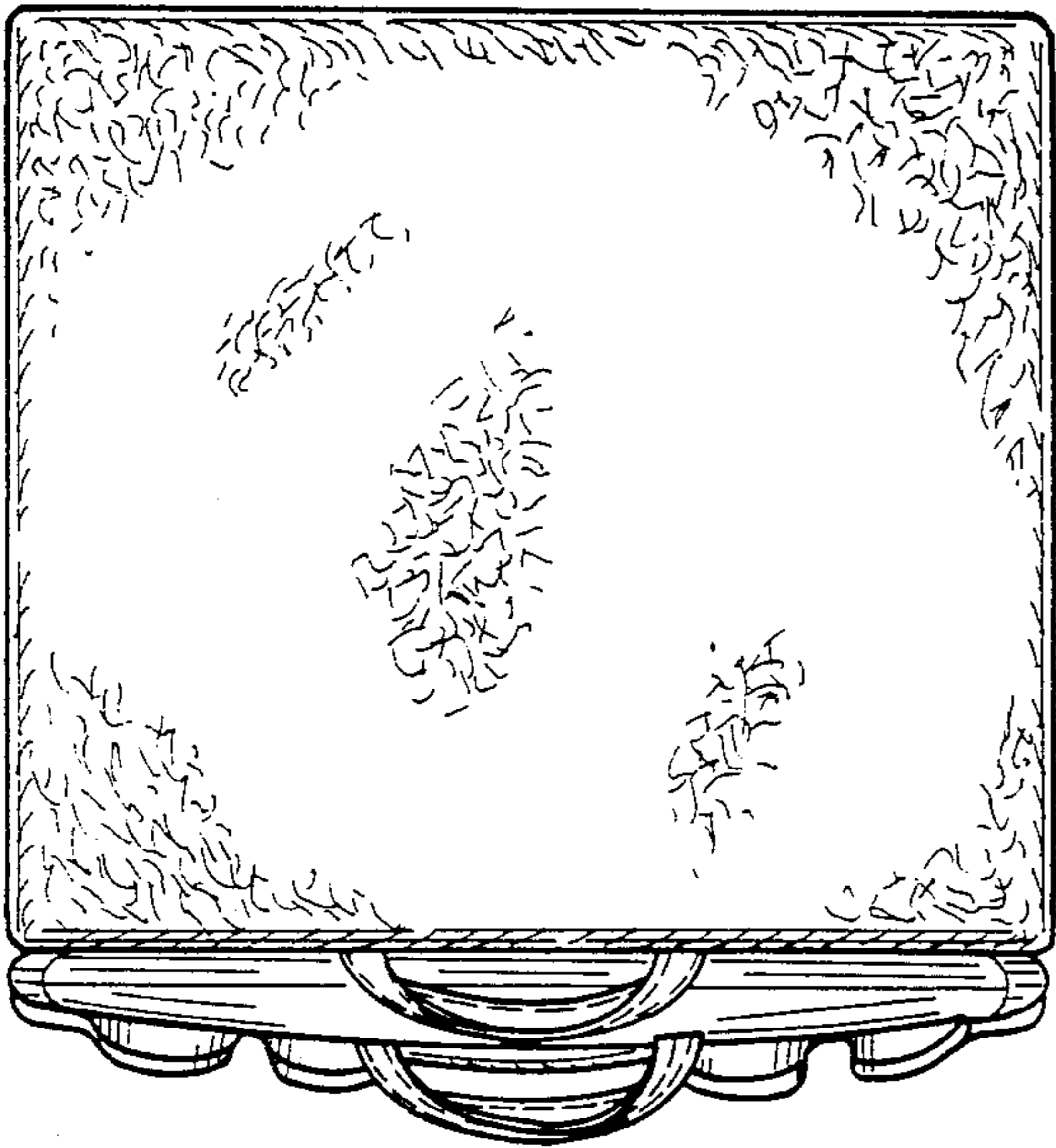


FIG. 5

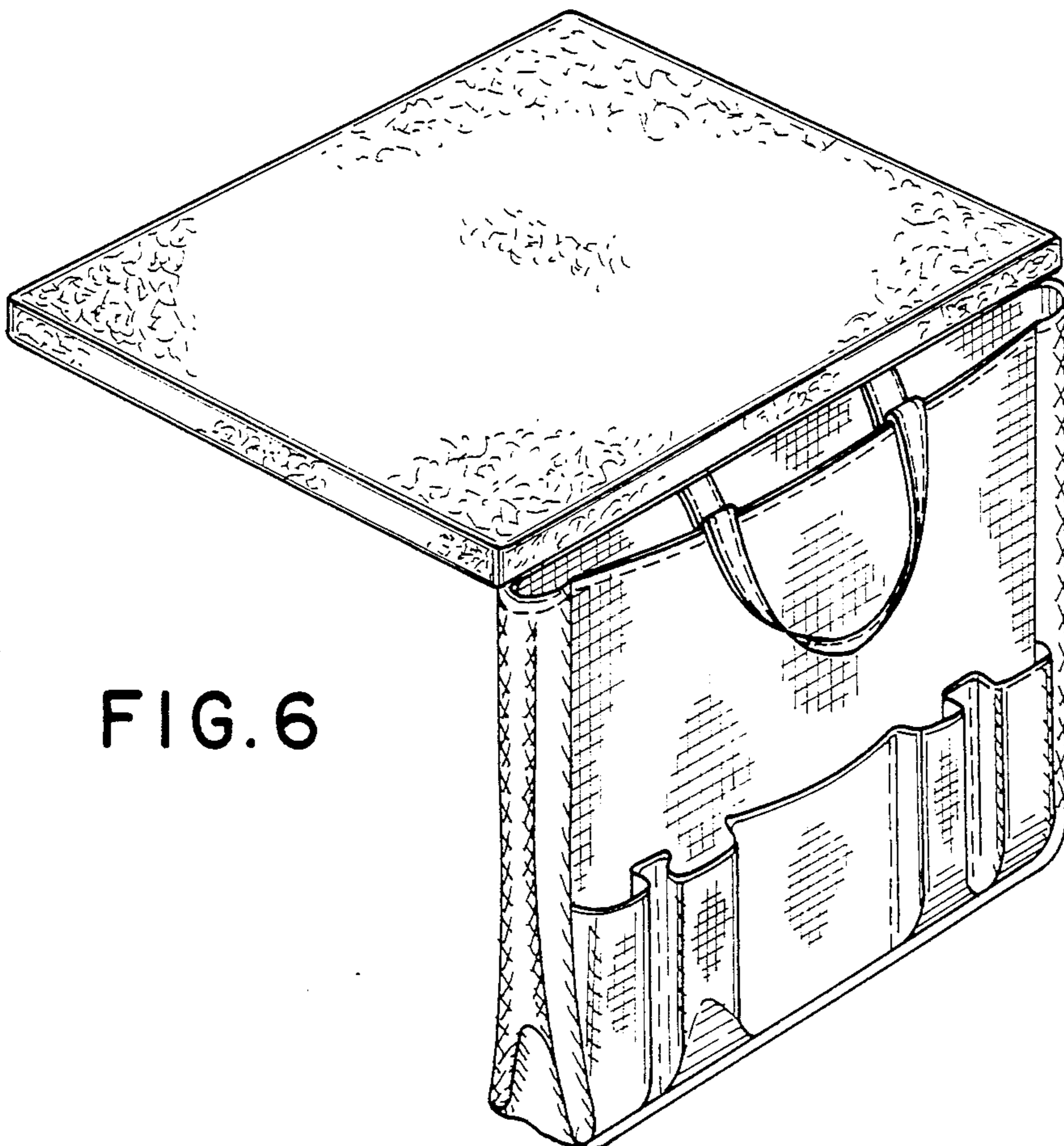


FIG. 6

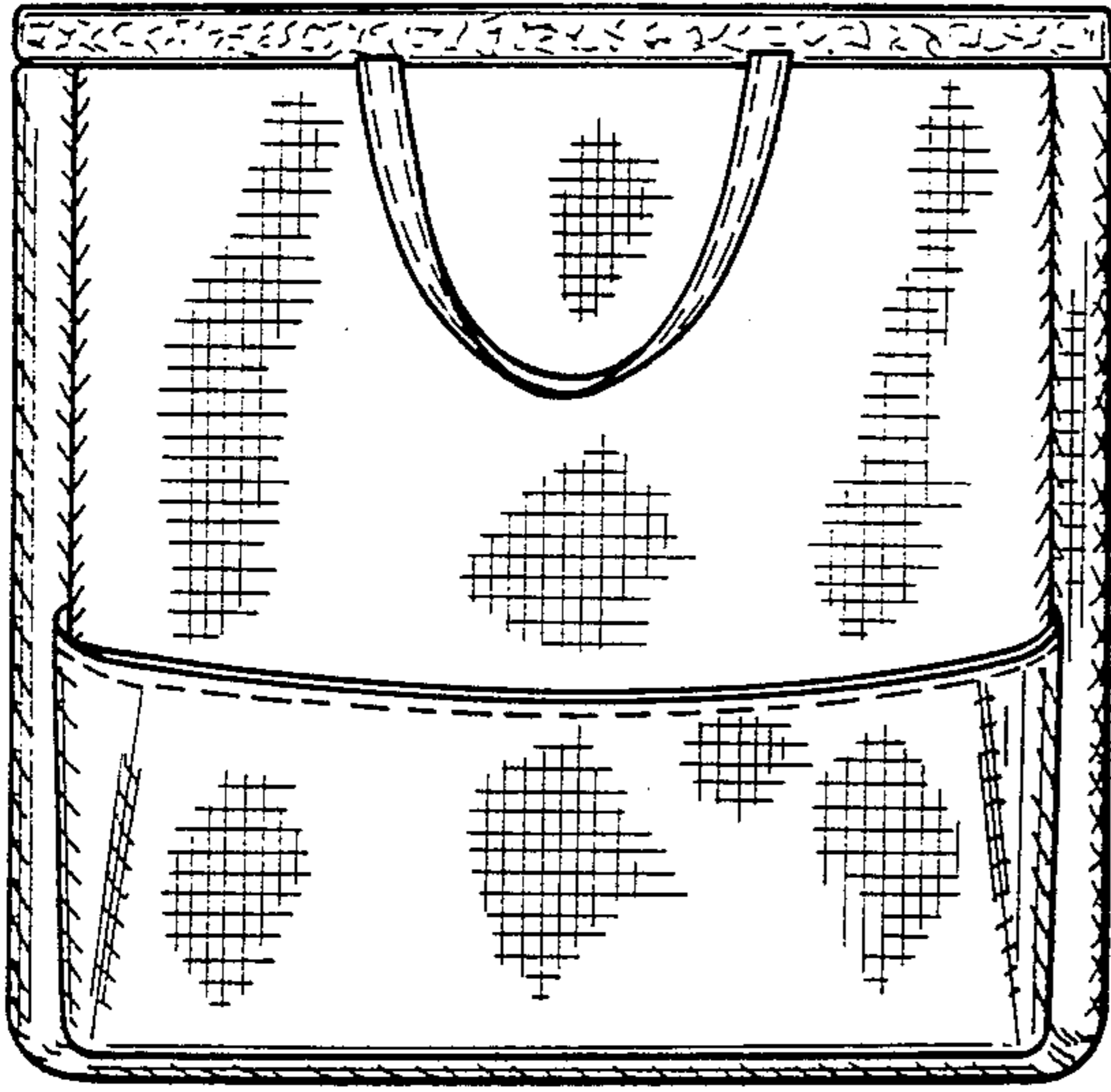


FIG. 8

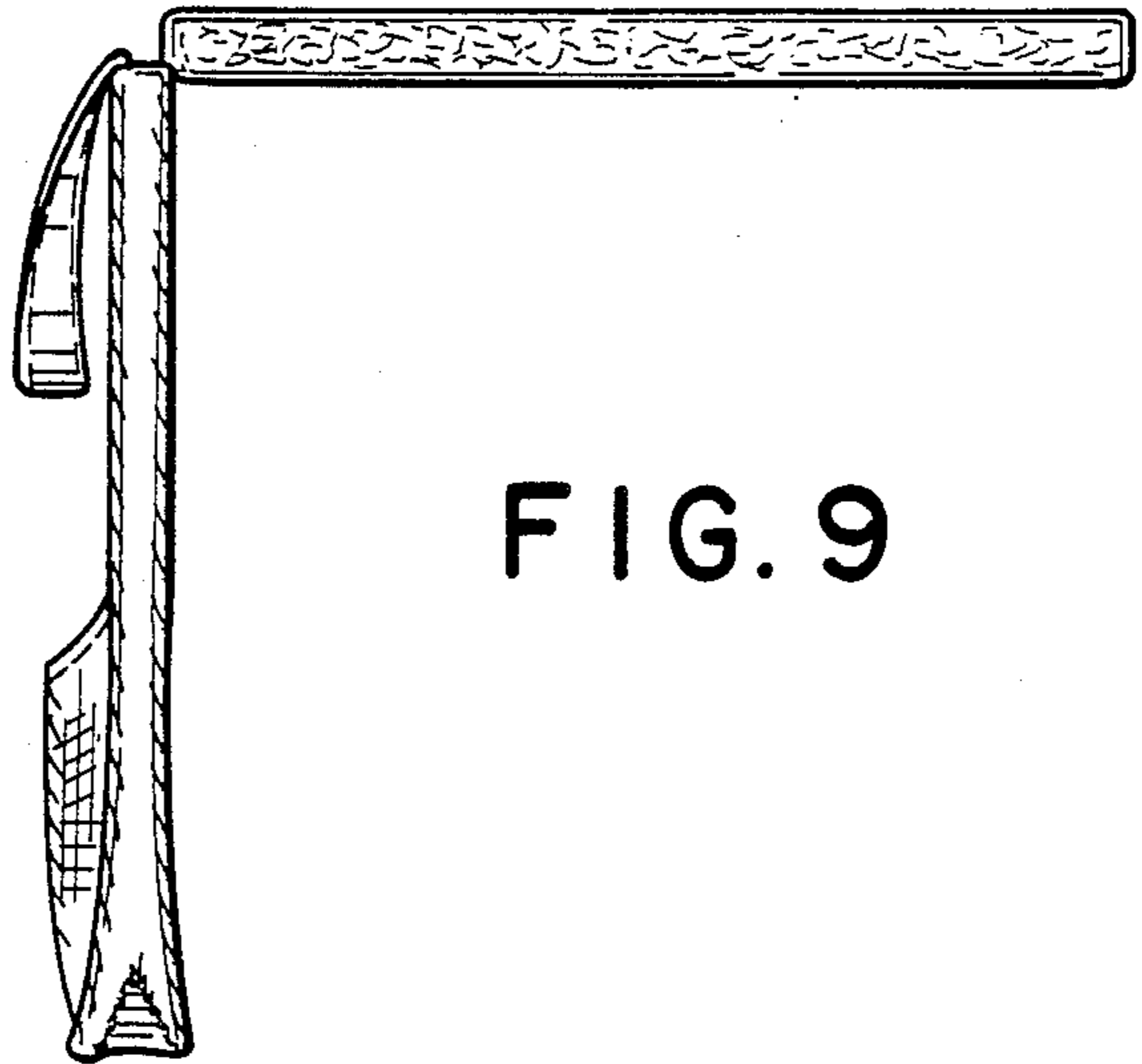


FIG. 9

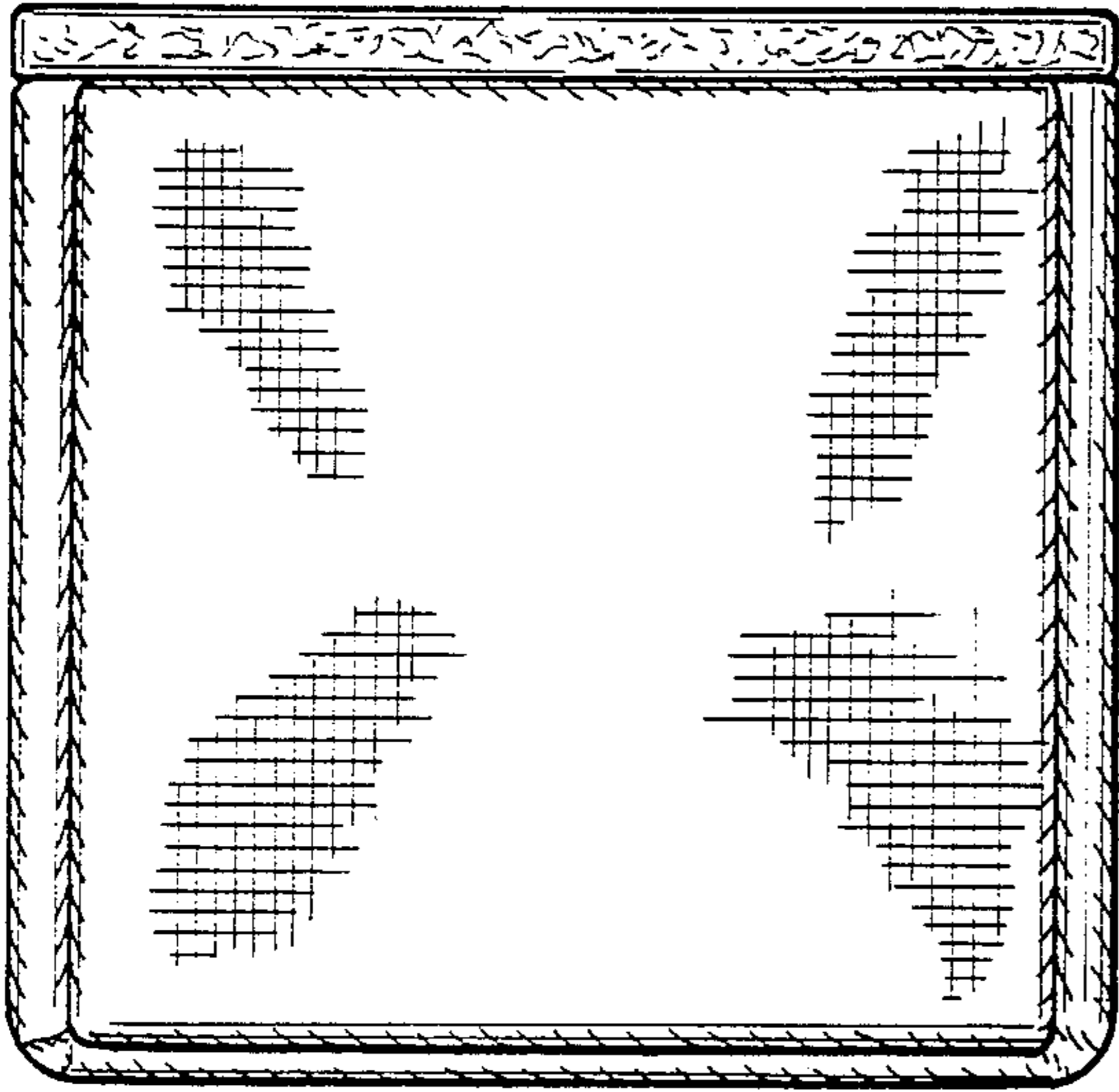


FIG. 10

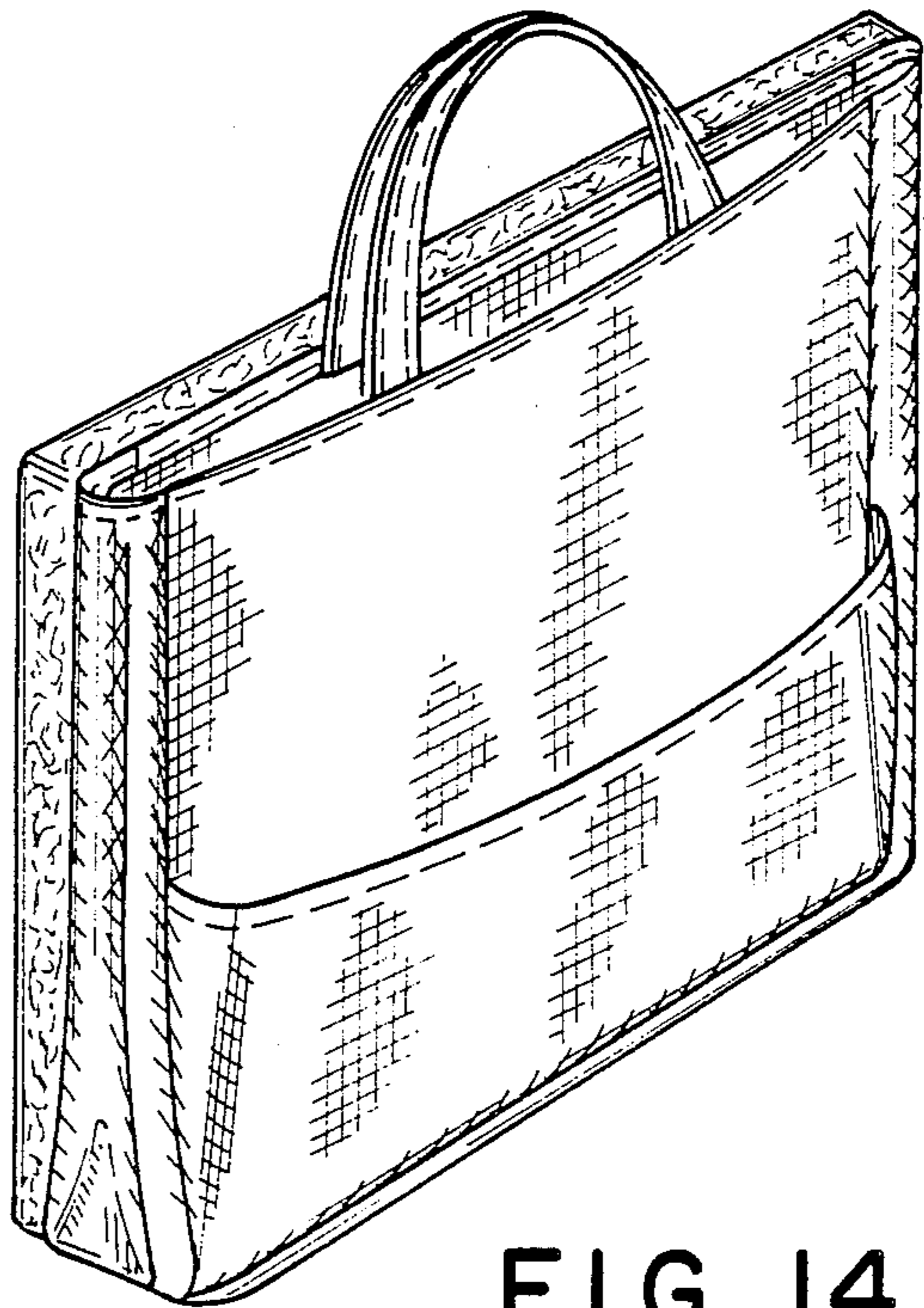


FIG. 14

FIG. 11

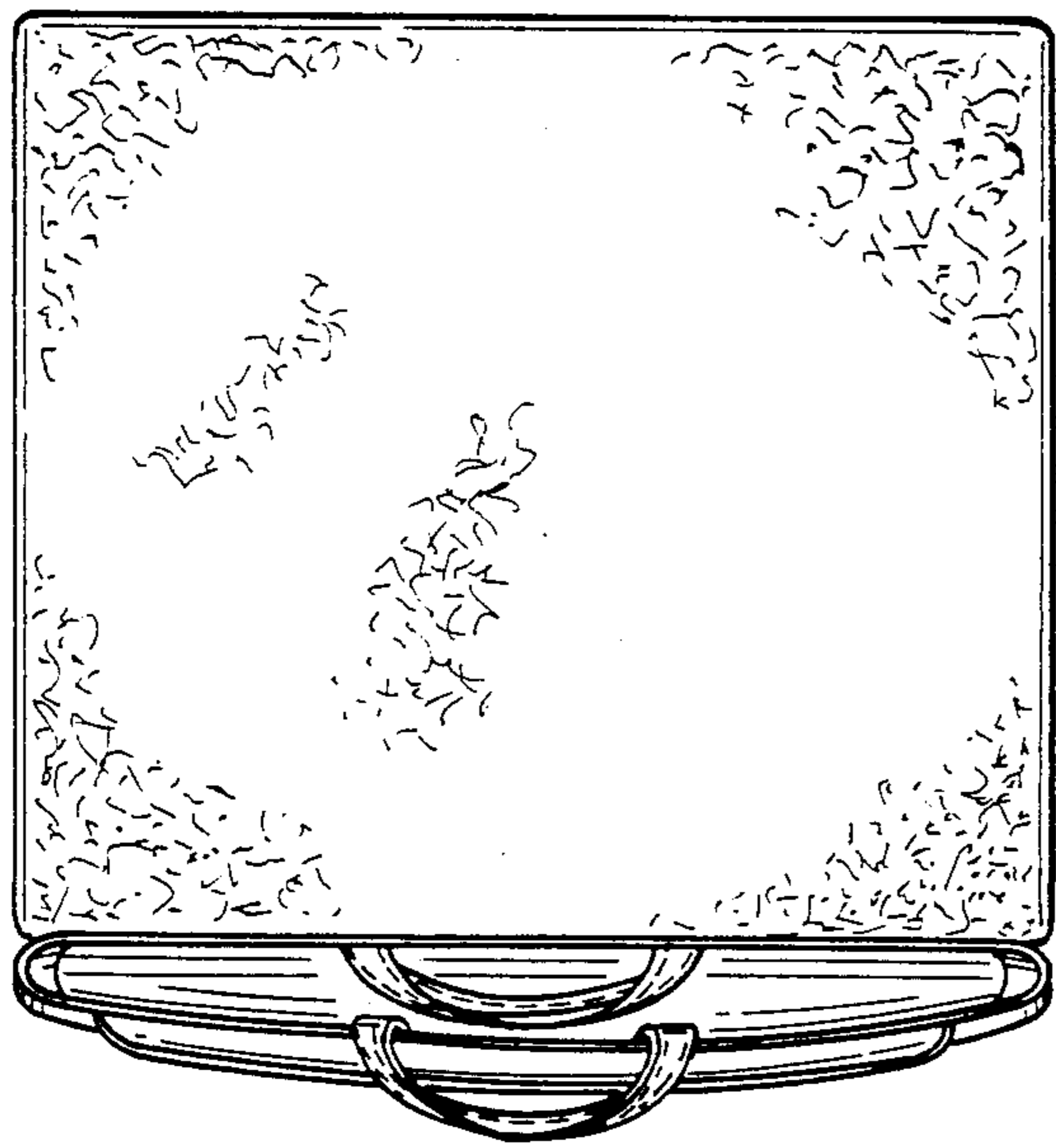


FIG. 12

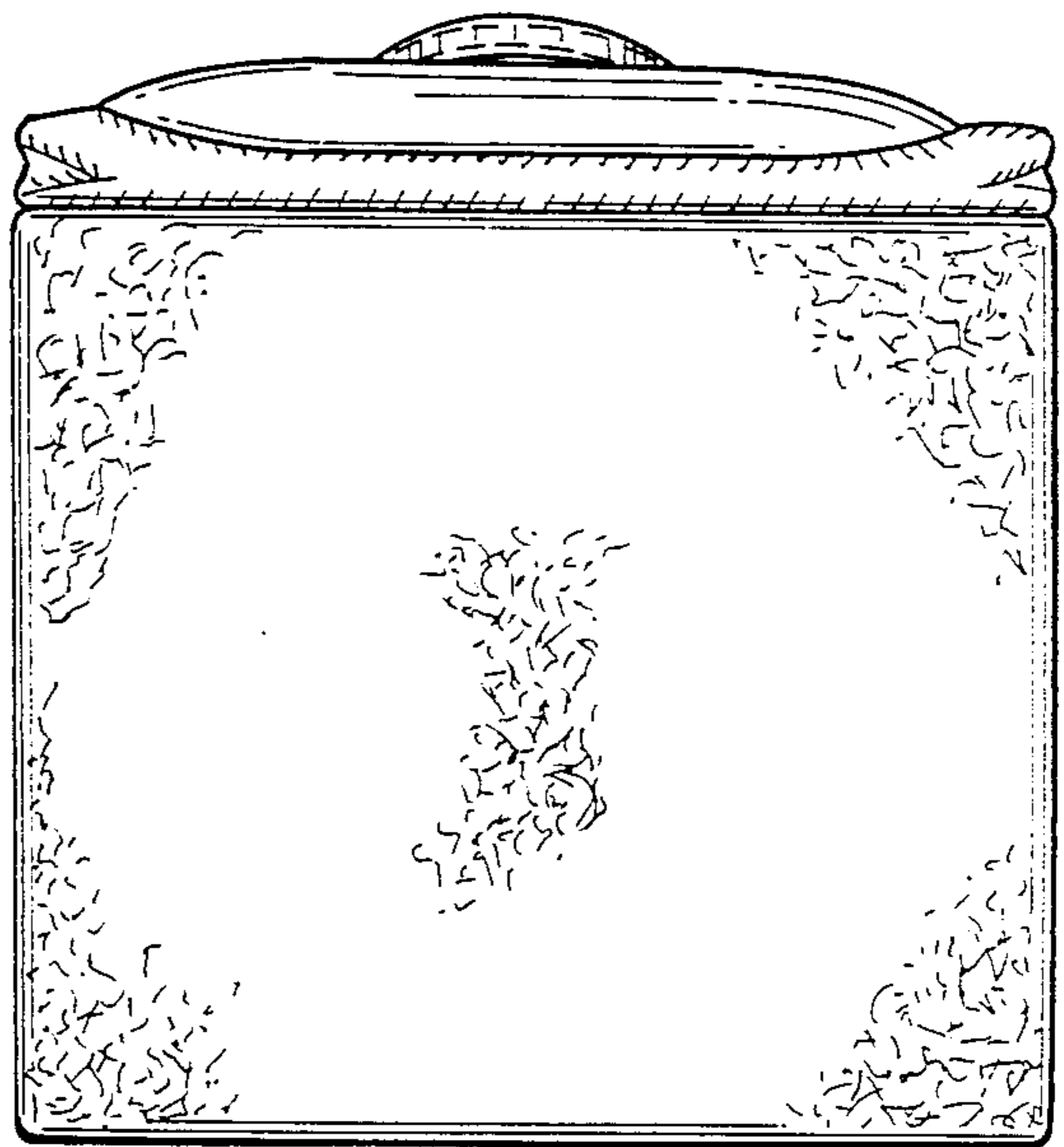


FIG. 13

