

[54] WALL SHELF

[75] Inventors: Peter S. Fayerman, Bryn Mawr; Leslie A. Meck, Blandan, both of Pa.

[73] Assignee: Baldwin Hardware Corporation, Reading, Pa.

[**] Term: 14 Years

[21] Appl. No.: 789,176

[22] Filed: Oct. 18, 1985

[52] U.S. Cl. D6/572; D6/574; D8/352; D8/381

[58] Field of Search D6/567, 572, 574; D8/352, 381; 248/235, 239, 250; 211/88, 90, 134, 153; 108/152

[56] References Cited

U.S. PATENT DOCUMENTS

D. 212,079	8/1968	Algoren	D8/352
D. 212,905	12/1968	Clayton	D8/352
D. 274,023	5/1984	Boroch	D6/574
4,376,521	3/1983	Walters	211/90

FOREIGN PATENT DOCUMENTS

0713088	10/1931	France	211/90
0267569	9/1929	Italy	248/235

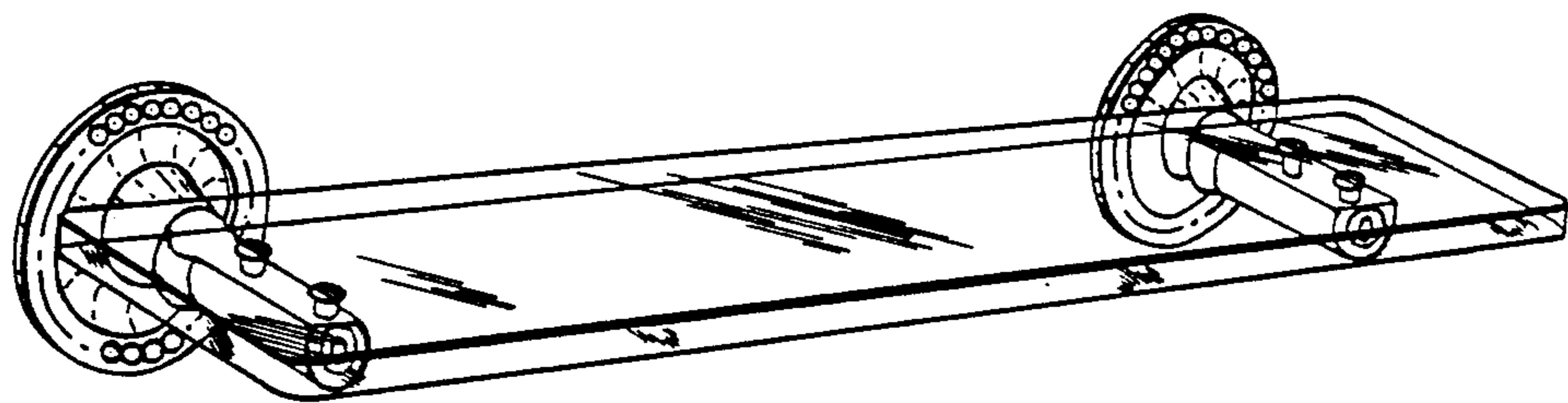
Primary Examiner—B. J. Bullock
Attorney, Agent, or Firm—Steven L. Permut; Malcolm L. Sutherland; Leon E. Redman

[57] CLAIM

The ornamental design for a wall shelf, as shown and described.

DESCRIPTION

FIG. 1 is a perspective of a wall shelf showing our new design;
 FIG. 2 is an enlarged top plan view thereof;
 FIG. 3 is an enlarged front elevational view thereof, and rear being unornamented;
 FIG. 4 is an enlarged bottom plan view thereof;
 FIG. 5 is a left side elevational view thereof, the side opposite being a mirror image;
 FIG. 6 is a perspective view of a second embodiment of the design of FIG. 1;
 FIG. 7 is an enlarged top plan view of FIG. 6;
 FIG. 8 is an enlarged front elevational view of FIG. 6, the rear being unornamented;
 FIG. 9 is an enlarged bottom plan view of FIG. 6;
 FIG. 10 is an enlarged left side elevational view of FIG. 6, the side opposite being a mirror image.
 The beads which are partially shown on the back plates in FIGS. 1, 3, 6 and 8 are understood to repeat uniformly around the circumference of the back plate.



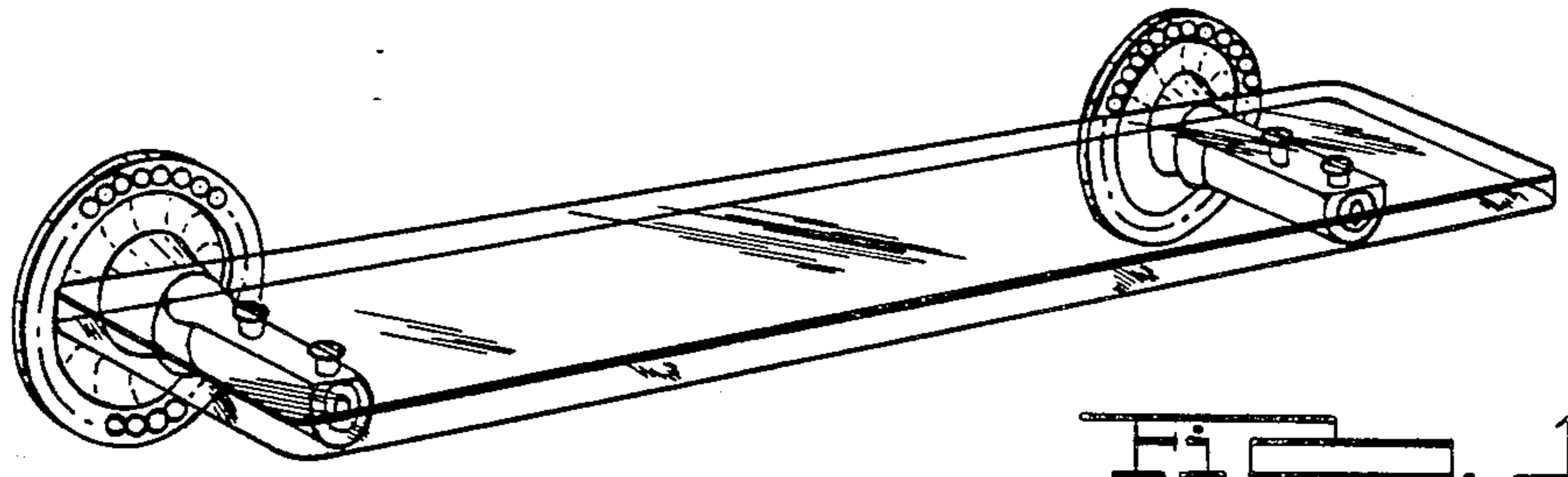


Fig. 1.

Fig. 2.

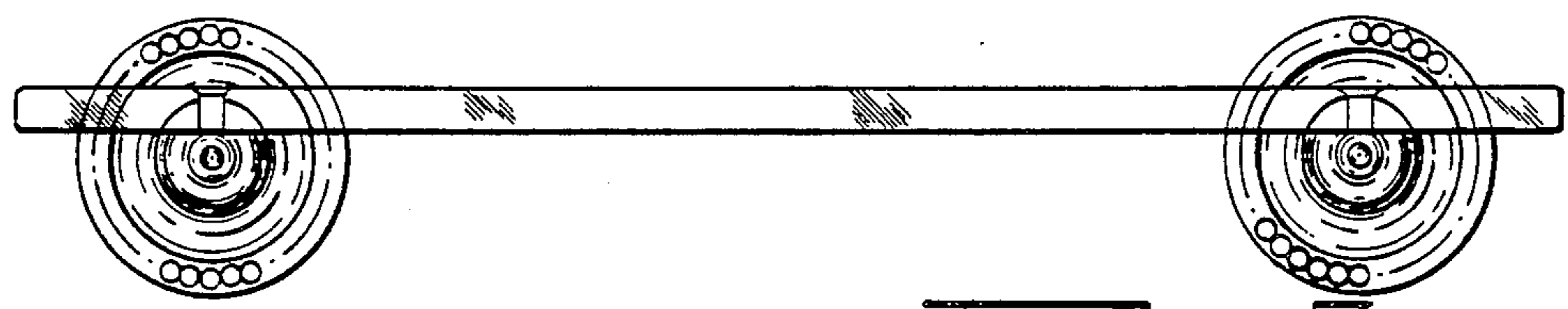
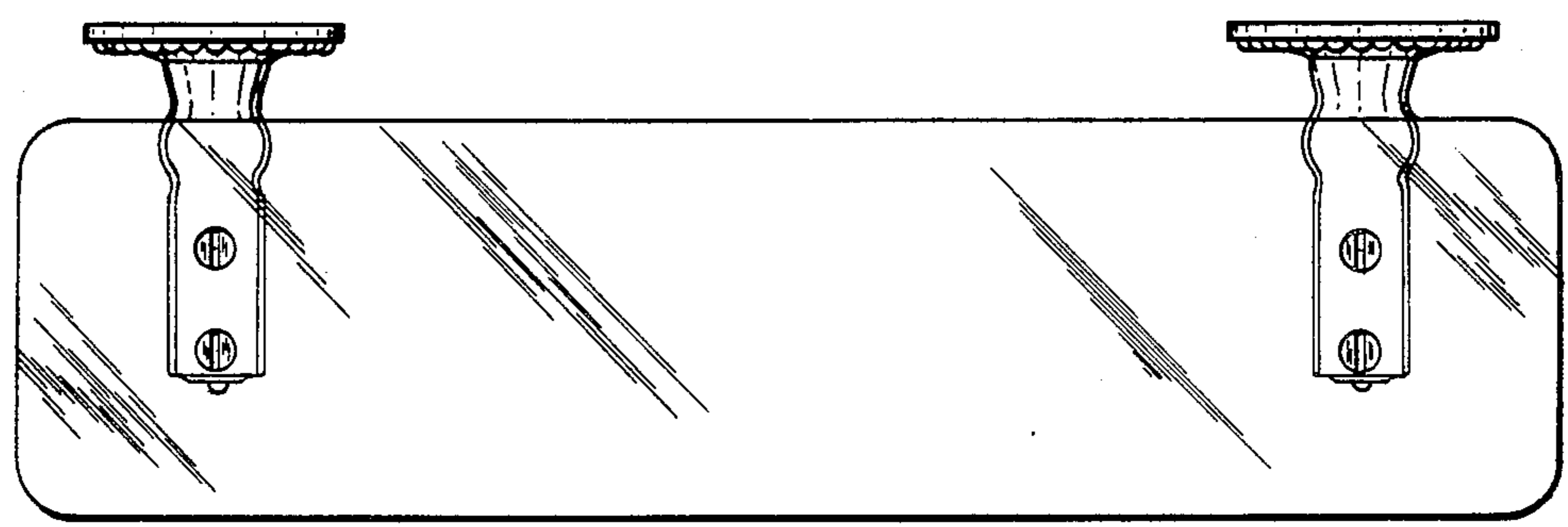


Fig. 3.

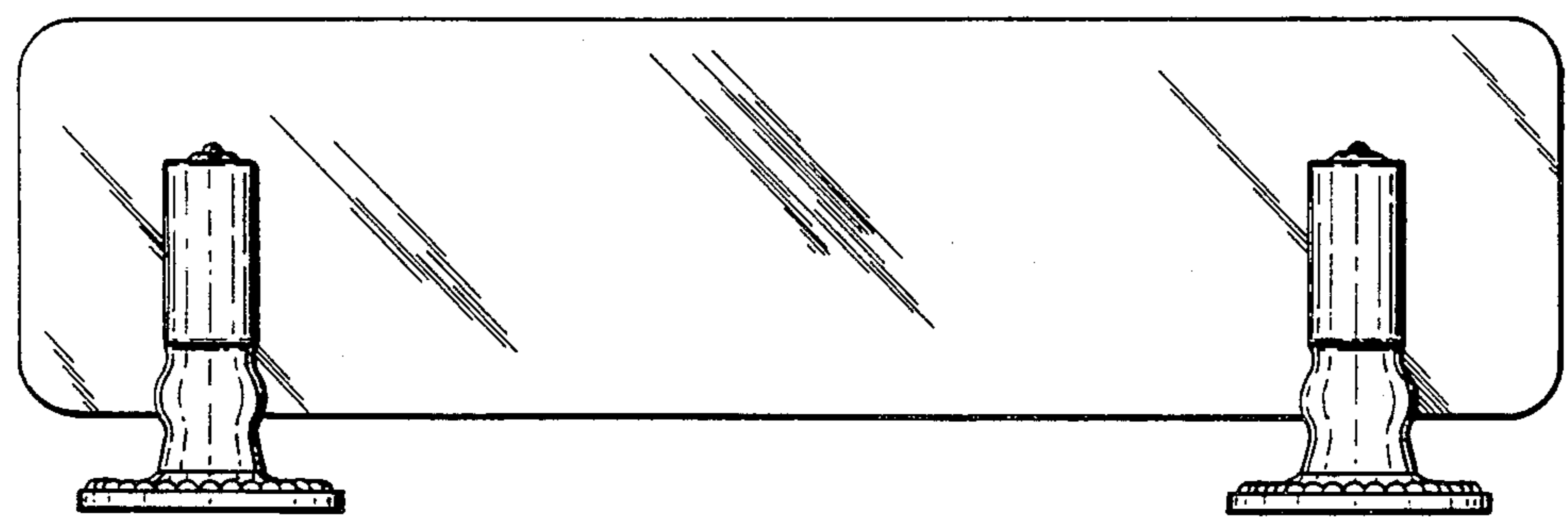


Fig. 4.

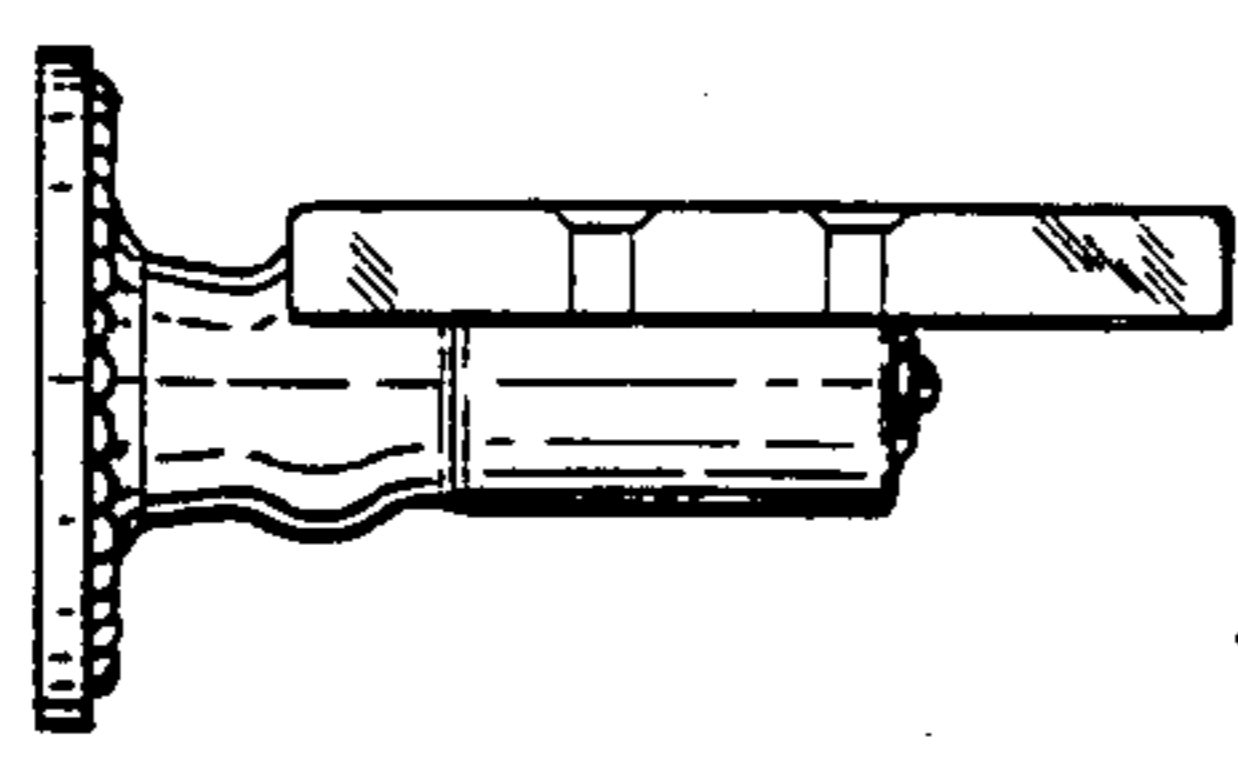


Fig. 5.

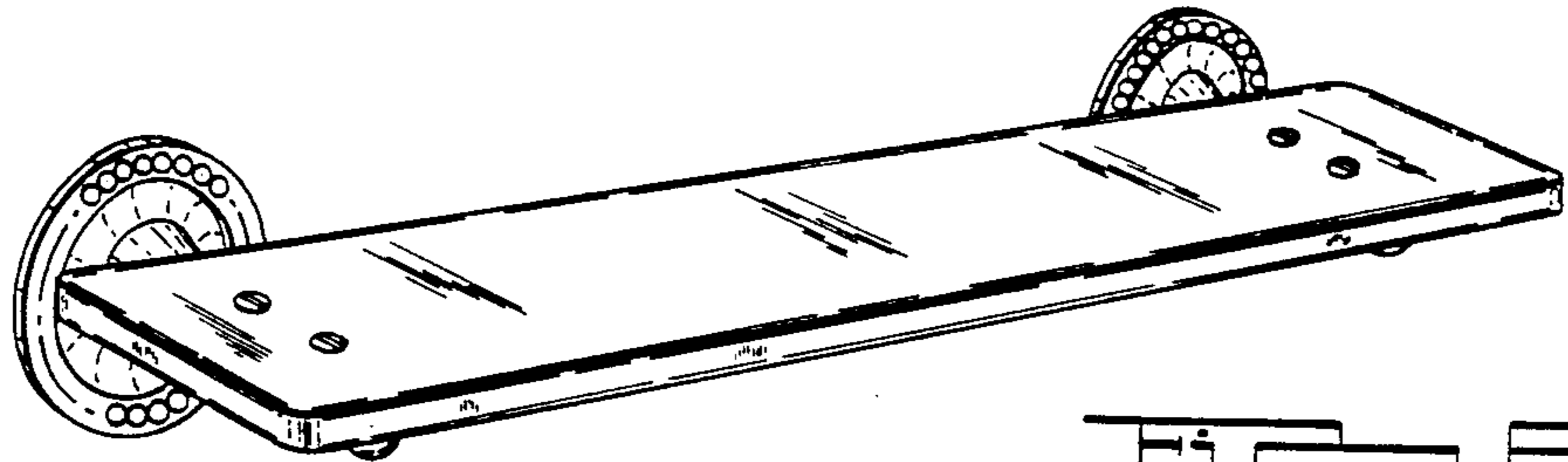


Fig. 6.

Fig. 7.

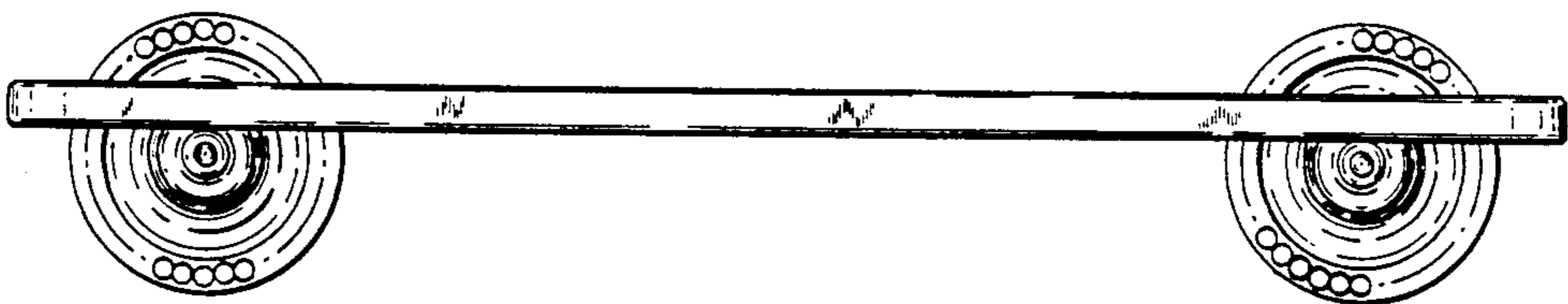
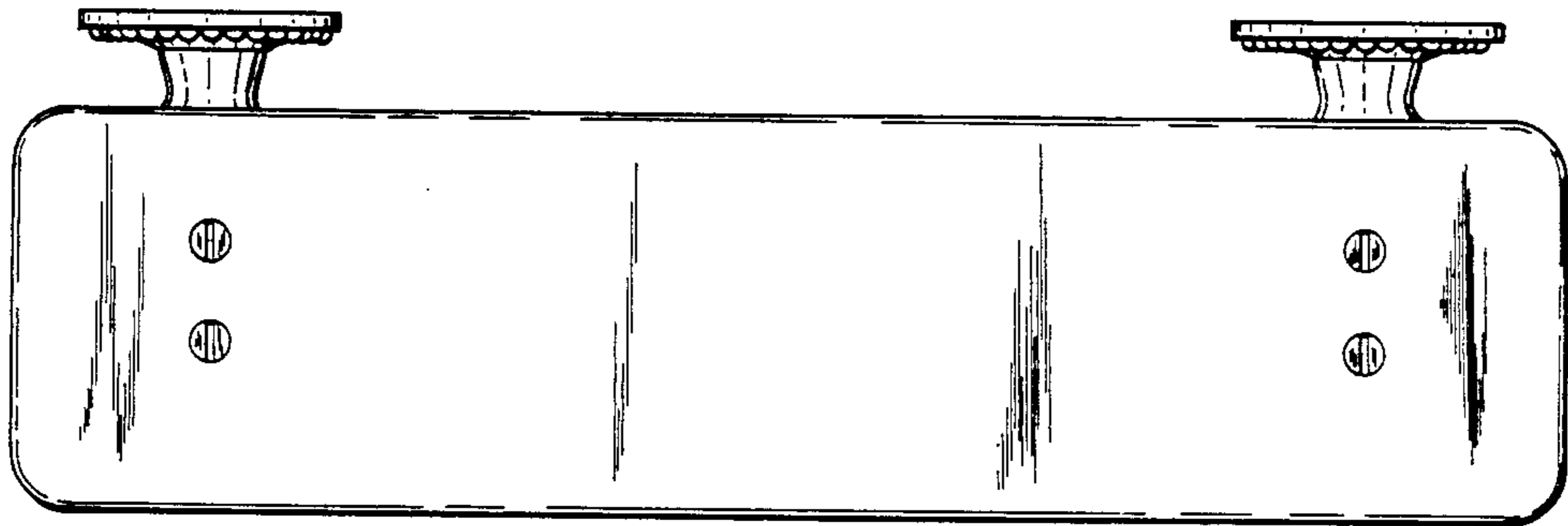


Fig. 8.

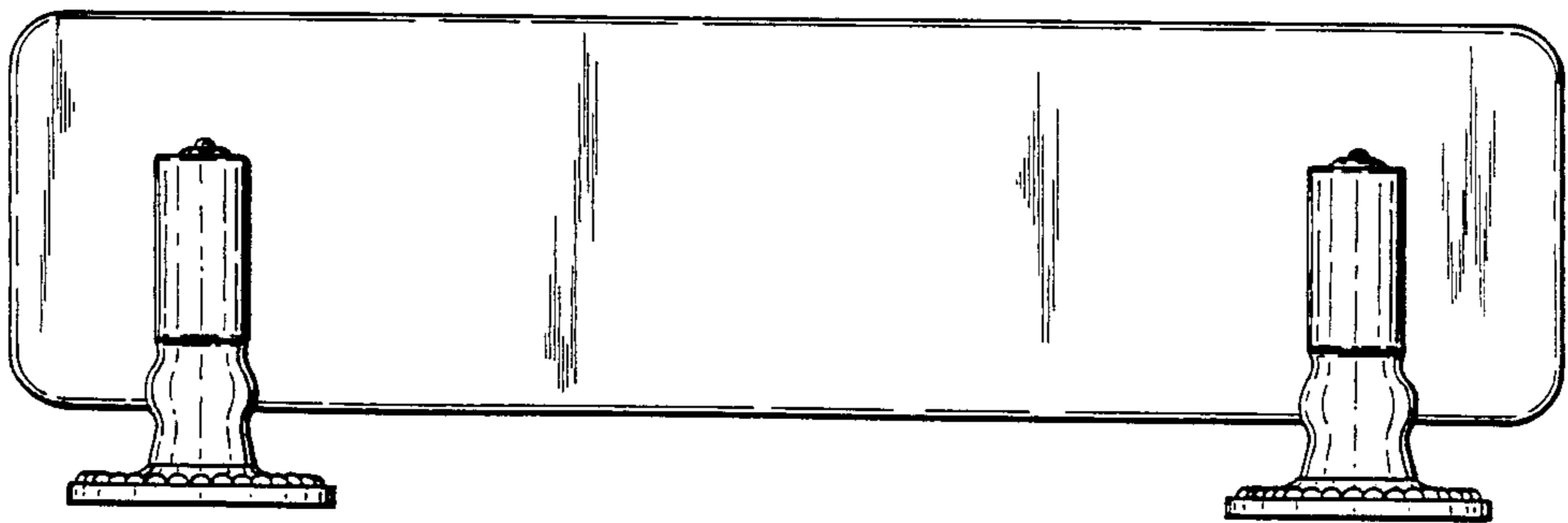


Fig. 9.

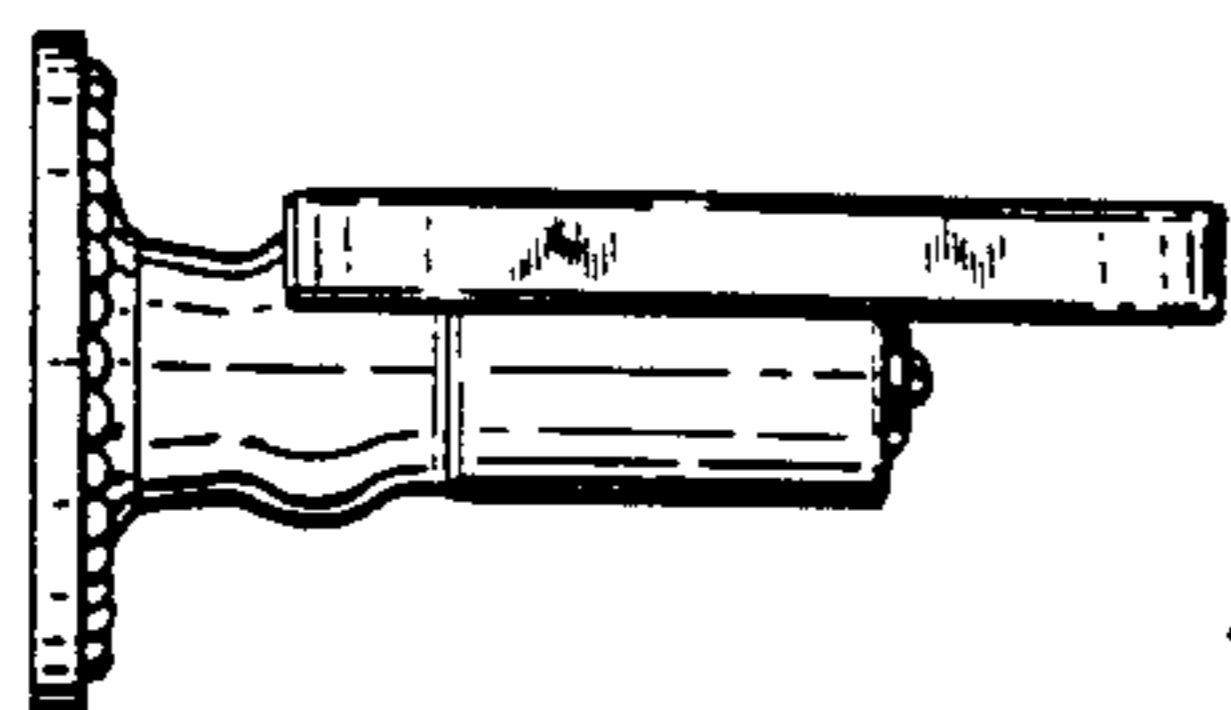


Fig. 10.