

[54] MODULAR HANGING SHELF AND ROD UNIT

[76] Inventor: Harold M. Marsh, 17202 Montero Rd., San Diego, Calif. 92128

[**] Term: 14 Years

[21] Appl. No.: 729,175

[22] Filed: May 1, 1985

[52] U.S. Cl. D6/570

[58] Field of Search D6/477, 478, 479, 569, D6/570; 312/245; 108/59, 152; 211/88, 90

[56] References Cited

U.S. PATENT DOCUMENTS

D. 248,806	8/1978	Bridges	D6/569
D. 275,057	8/1984	Freedenberg	D6/479
D. 277,817	3/1985	Weshler	D6/474
556,612	3/1896	Bingaman	312/245
2,521,134	9/1950	Stanitz	312/245
2,645,547	7/1953	Channer, Jr.	312/245
3,950,049	4/1976	Drass	312/245

4,080,907	3/1978	Kaufman	108/59
4,108,084	8/1978	Fink	108/31
4,160,570	7/1979	Bridges	312/245
4,165,852	8/1979	Chervenak	312/245
4,171,545	10/1979	Kann	312/245
4,181,382	1/1980	Harvey	312/245
4,329,003	5/1982	Manchester	312/245
4,457,436	7/1984	Kelley	211/88
4,552,271	11/1985	Kranz	108/27

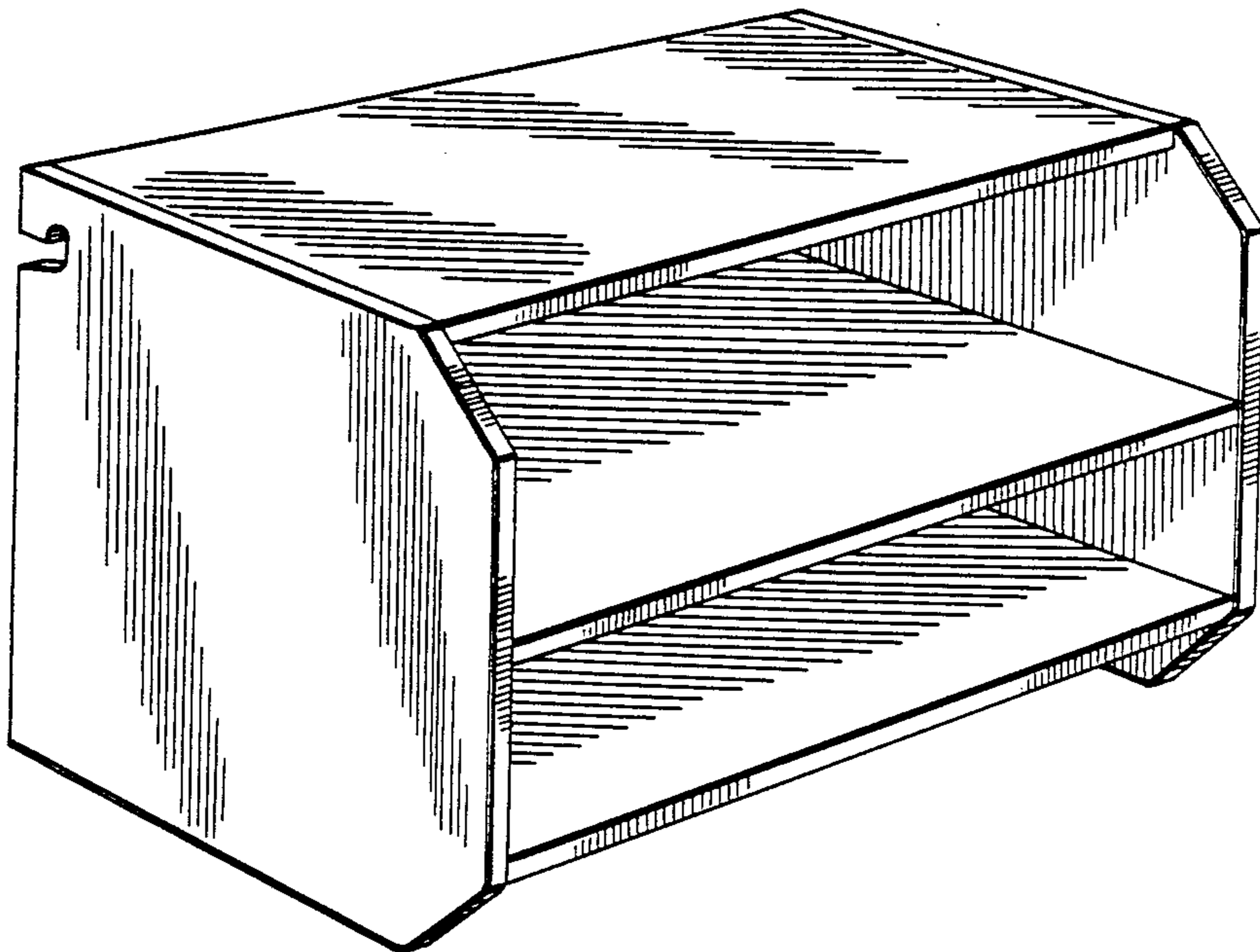
Primary Examiner—B. J. Bullock
Attorney, Agent, or Firm—Brown, Martin, Haller & Meador

[57] CLAIM

The ornamental design for a modular hanging shelf and rod unit, substantially as shown.

DESCRIPTION

FIG. 1 is a perspective view of a modular hanging shelf and rod unit, showing my new design; FIG. 2 is a front elevational view thereof; FIG. 3 is a right end elevational view thereof; FIG. 4 is a rear elevational view thereof; and FIG. 5 is a bottom plan view thereof.



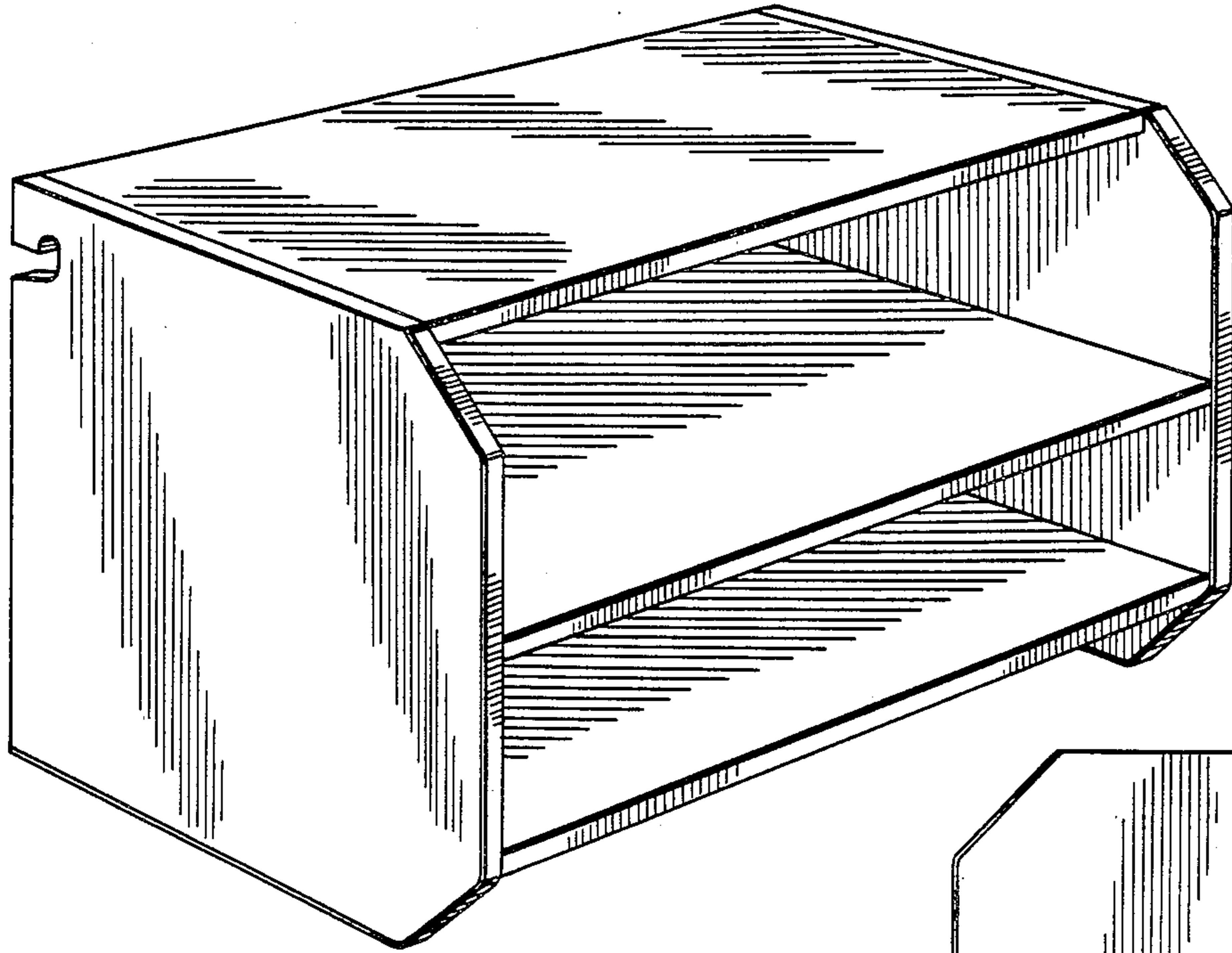


FIG. 1

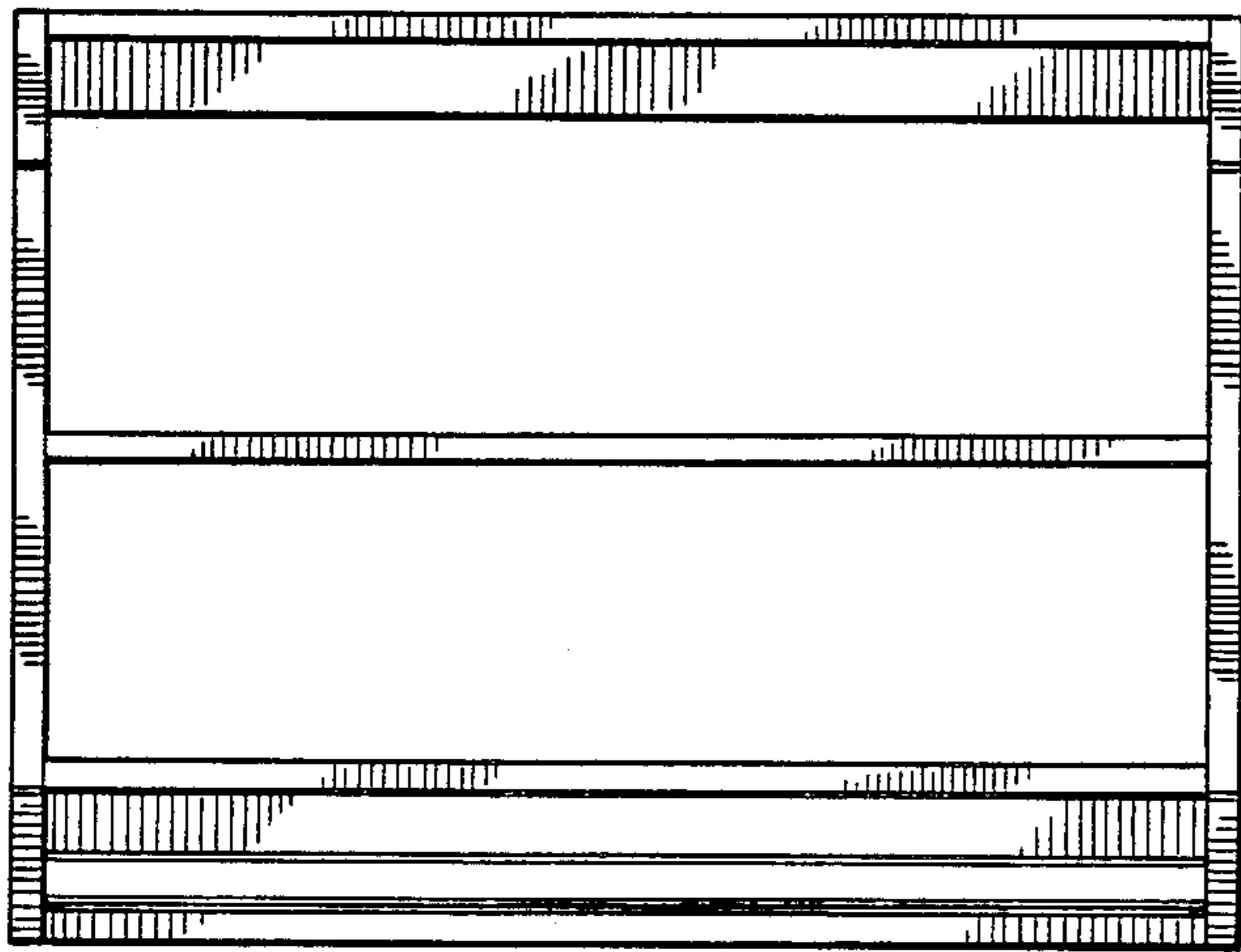


FIG. 2

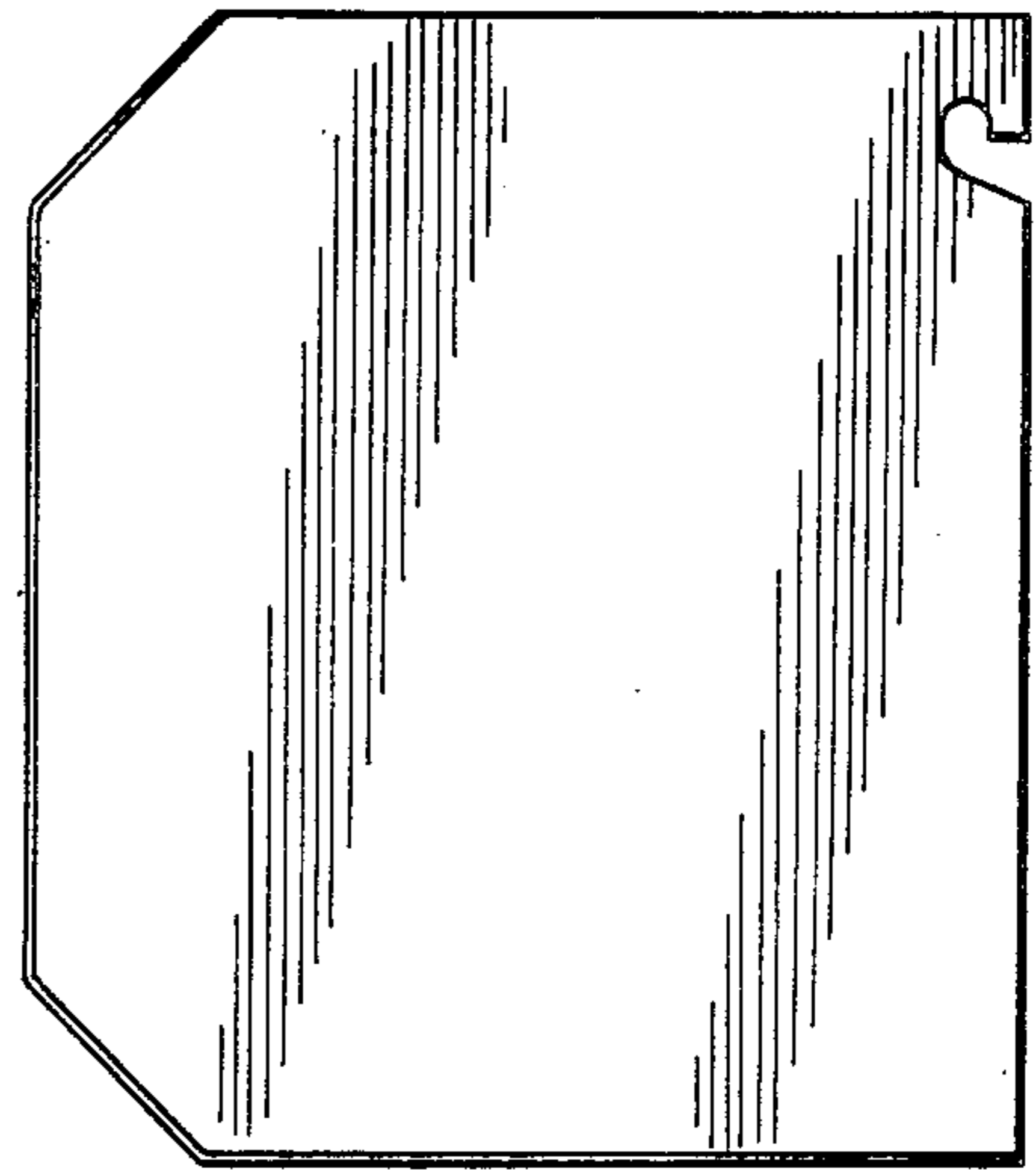


FIG. 3

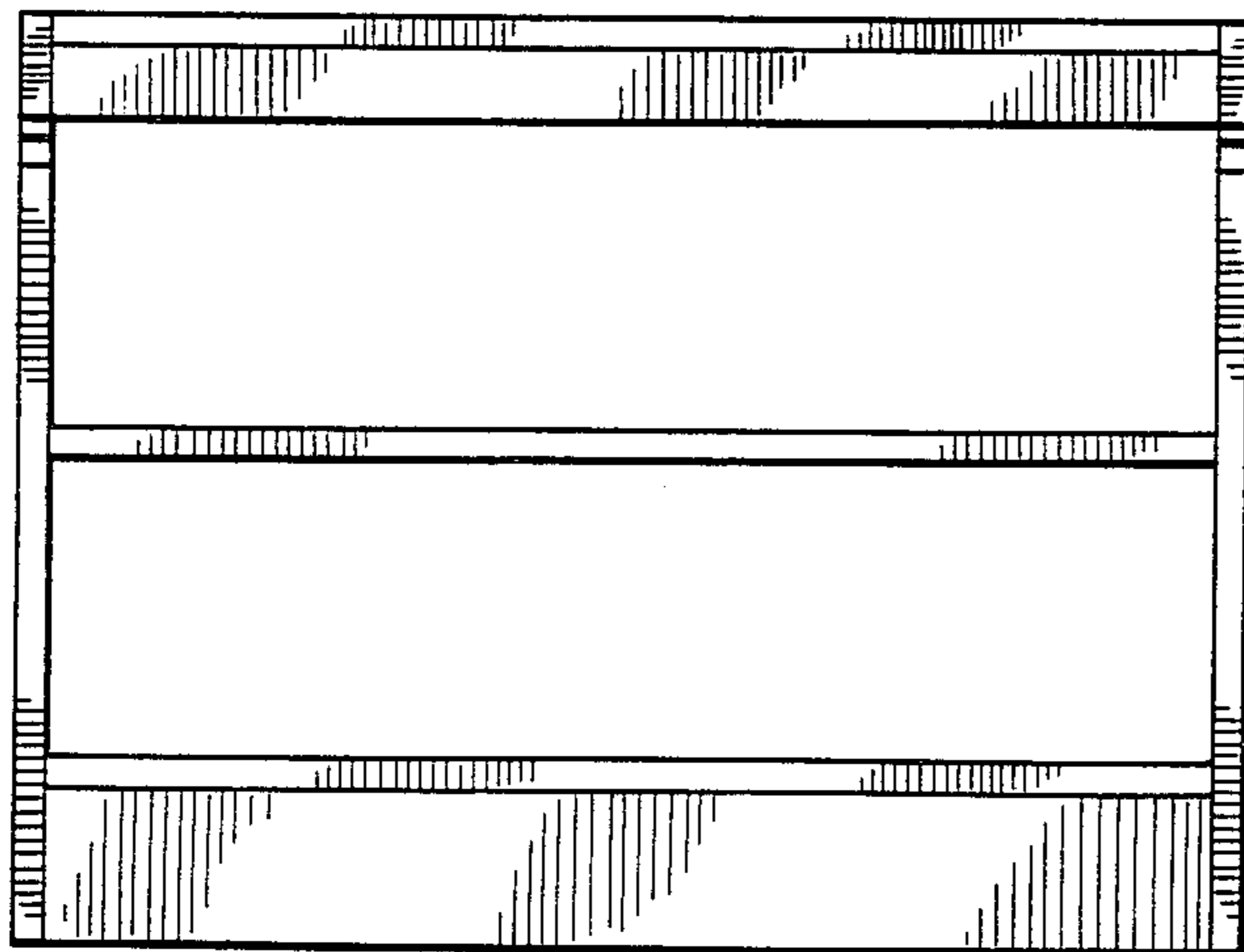


FIG. 4

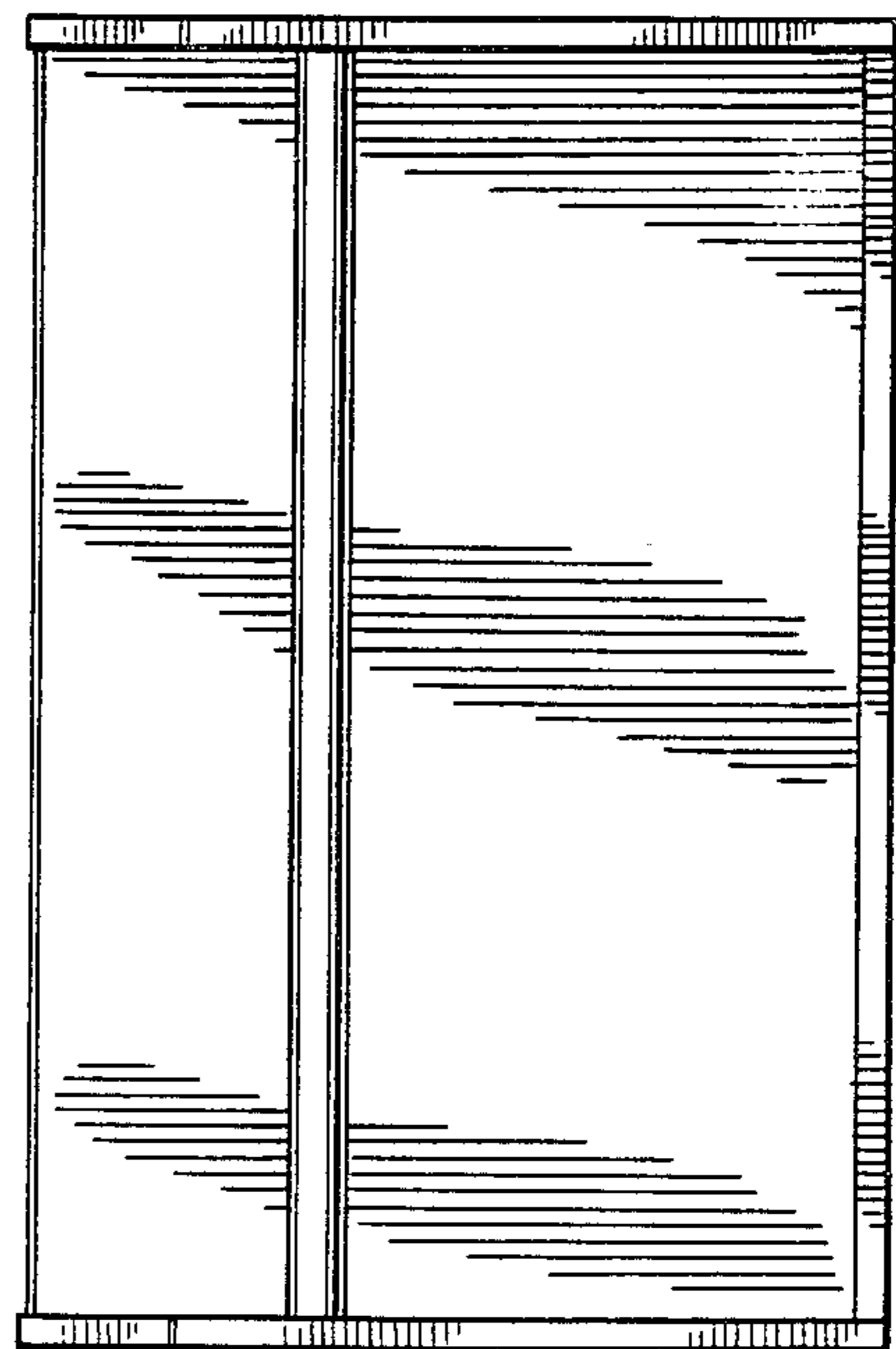


FIG. 5