

[54] DROP LEAF TABLE

[75] Inventor: Manfred Hubert, Seyssins, France

[73] Assignee: Allibert S.A., Grenoble, France

[**] Term: 14 Years

[21] Appl. No.: 751,228

[22] Filed: Jul. 2, 1985

[30] Foreign Application Priority Data

Feb. 25, 1985 [XH] Hague DM/004829

[52] U.S. Cl. D6/430; D6/480

[58] Field of Search D6/429, 430, 449, 480,
D6/484, 487, 488; 108/115, 121, 127

[56] References Cited

U.S. PATENT DOCUMENTS

- | | | | | |
|------------|---------|------------|-------|----------|
| D. 236,786 | 9/1975 | Smith | | D6/484 |
| D. 252,965 | 9/1979 | Petersen | | D6/430 |
| D. 269,753 | 7/1983 | Offredi | | D6/430 |
| D. 281,747 | 12/1985 | Berry, Jr. | | D6/430 |
| 853,215 | 5/1907 | Berg | | D6/484 X |

Primary Examiner—Bruce W. Dunkins
Attorney, Agent, or Firm—Young & Thompson

[57] CLAIM

The ornamental design for a drop leaf table, as shown and described.

DESCRIPTION

FIG. 1 is a perspective view of a drop leaf table showing my new design;

FIG. 2 is a side perspective view thereof;

FIG. 3 is an end perspective view thereof;

FIG. 4 is a top plan view thereof;

FIG. 5 is a bottom plan view thereof;

FIG. 6 is a view similar to FIG. 1, but showing one leaf dropped;

FIG. 7 is an end perspective view thereof in the position of FIG. 6;

FIG. 8 is a view similar to FIG. 1, but with both leaves dropped;

FIG. 9 is a side perspective view thereof in the FIG. 8 position; and

FIG. 10 is an end perspective view thereof in the FIG. 8 position.

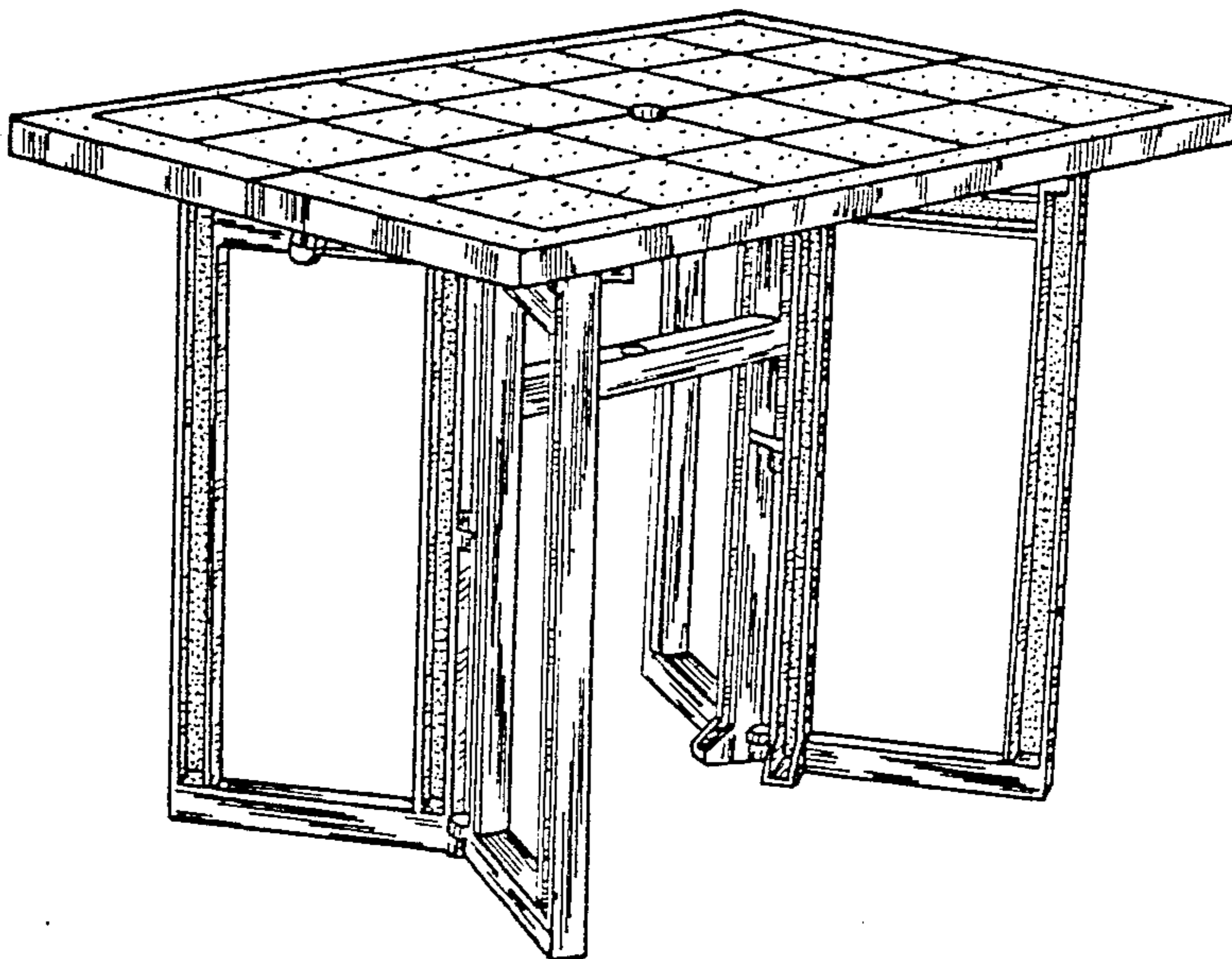


FIG.1

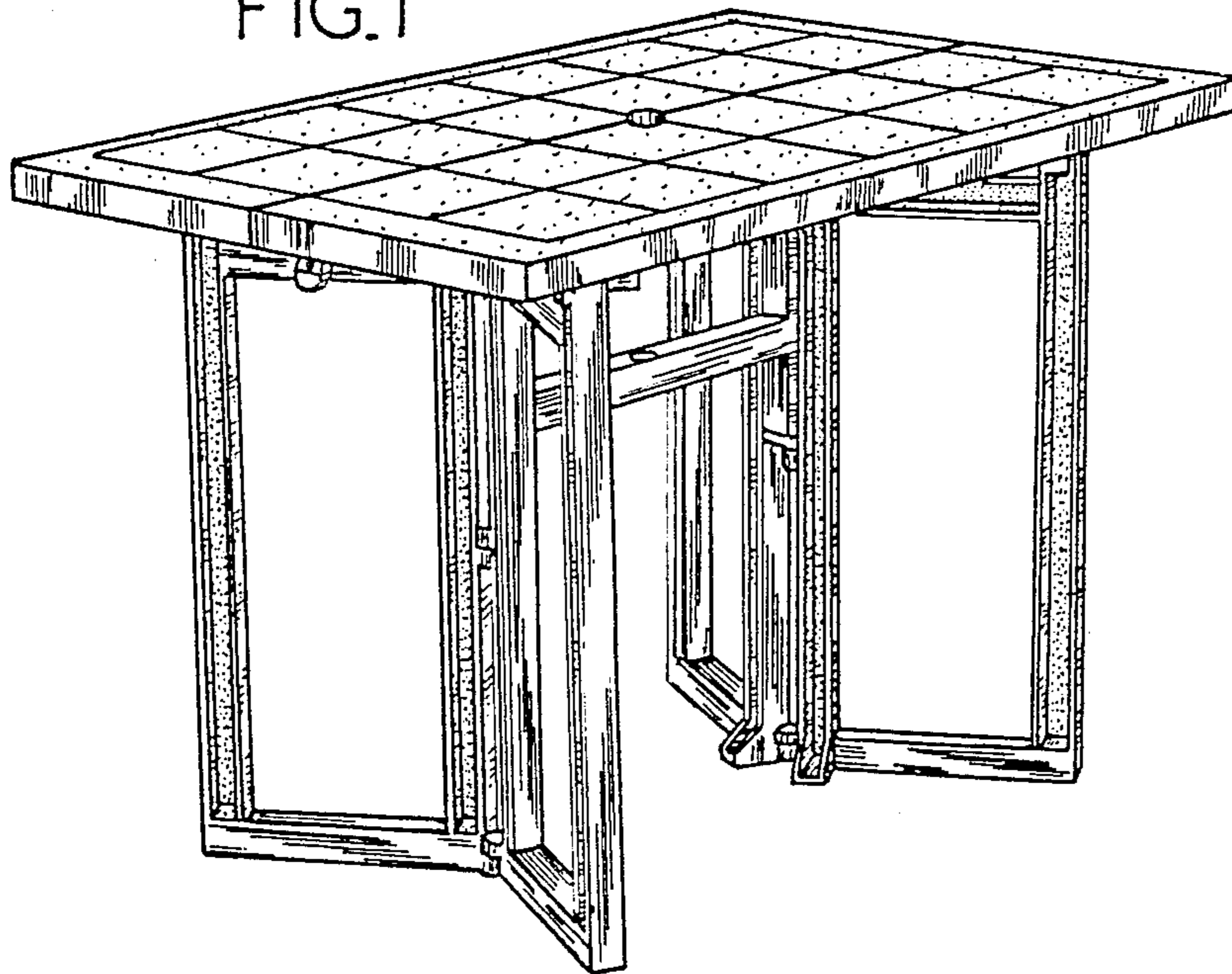


FIG.2

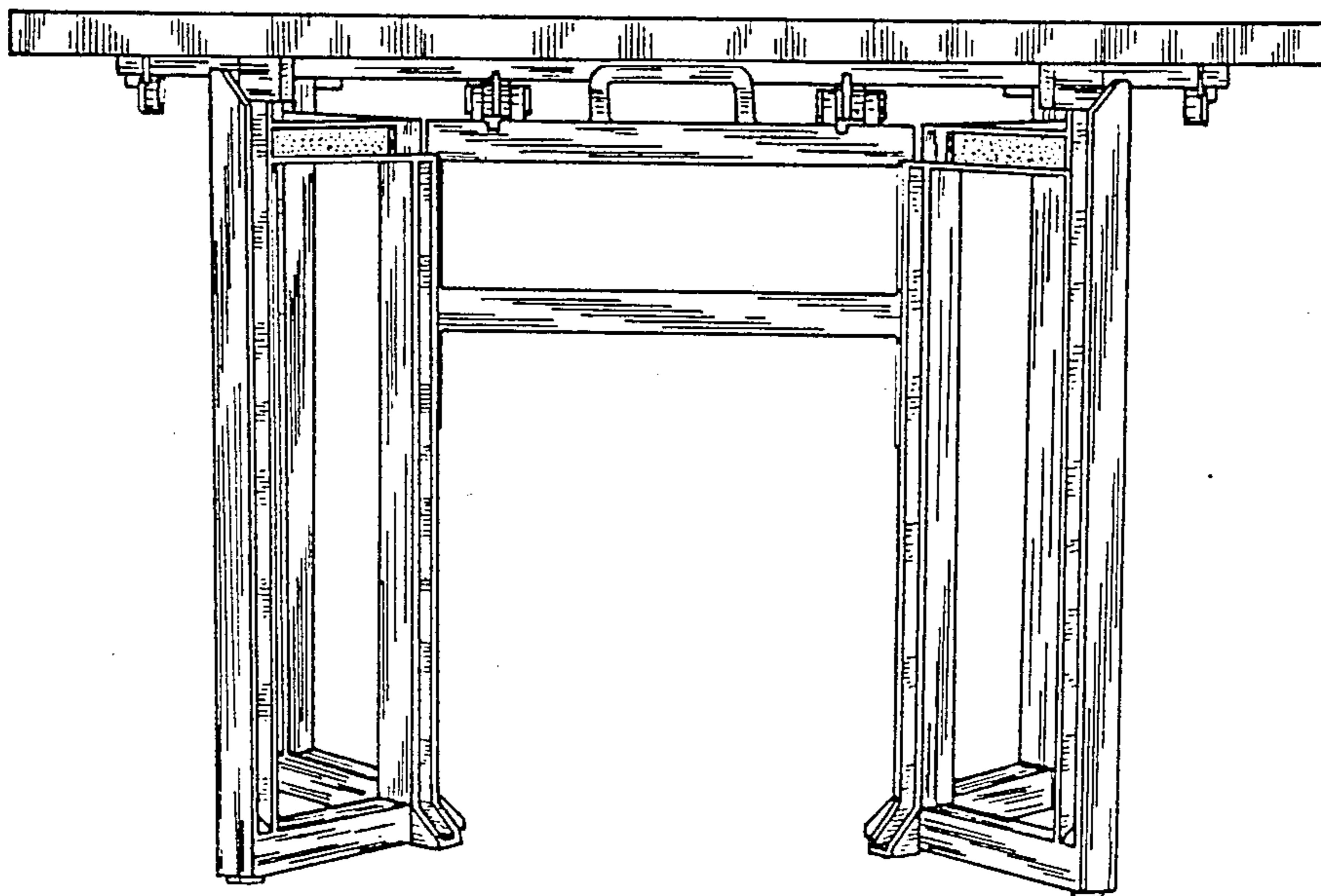


FIG. 3

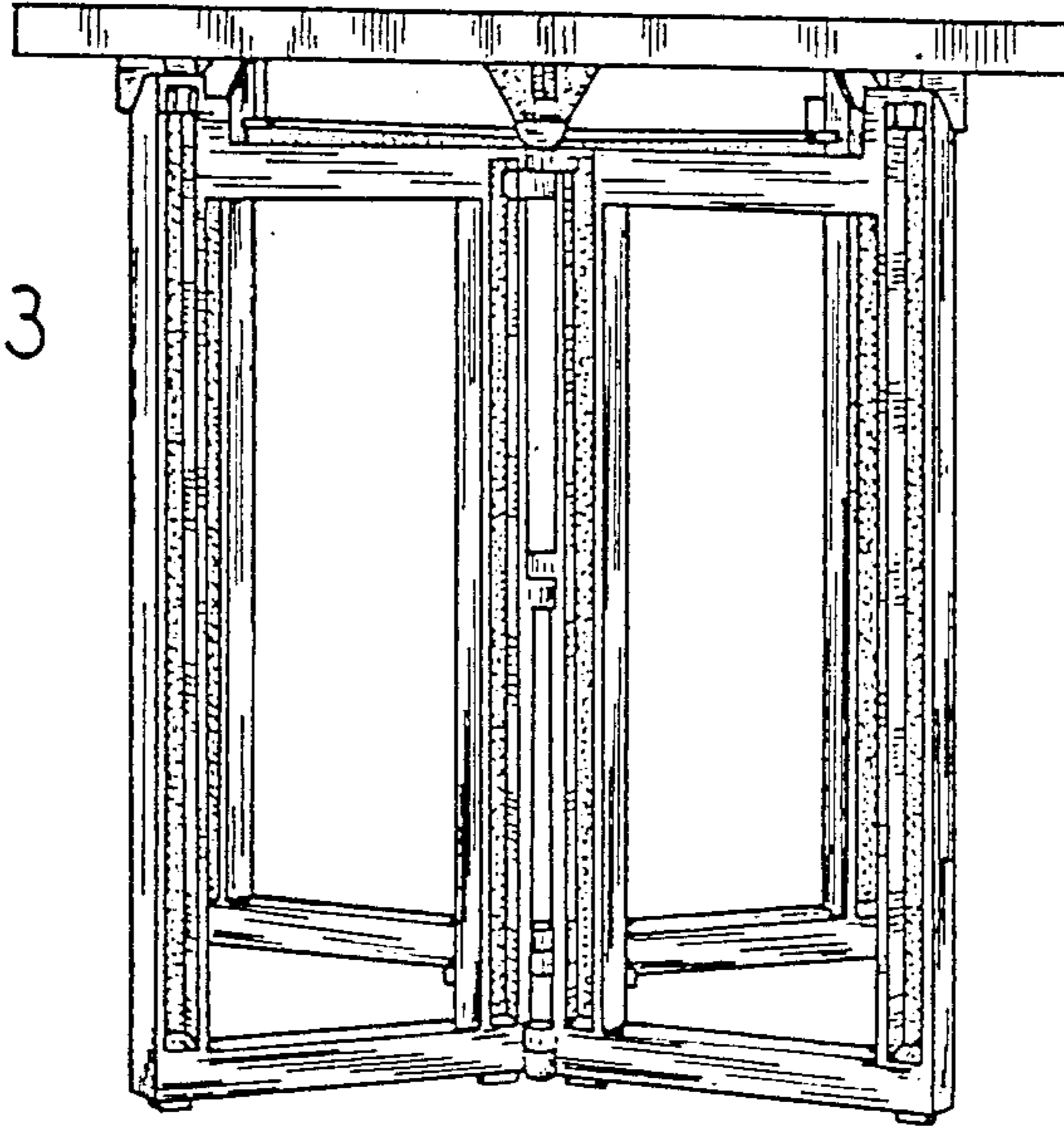


FIG. 4

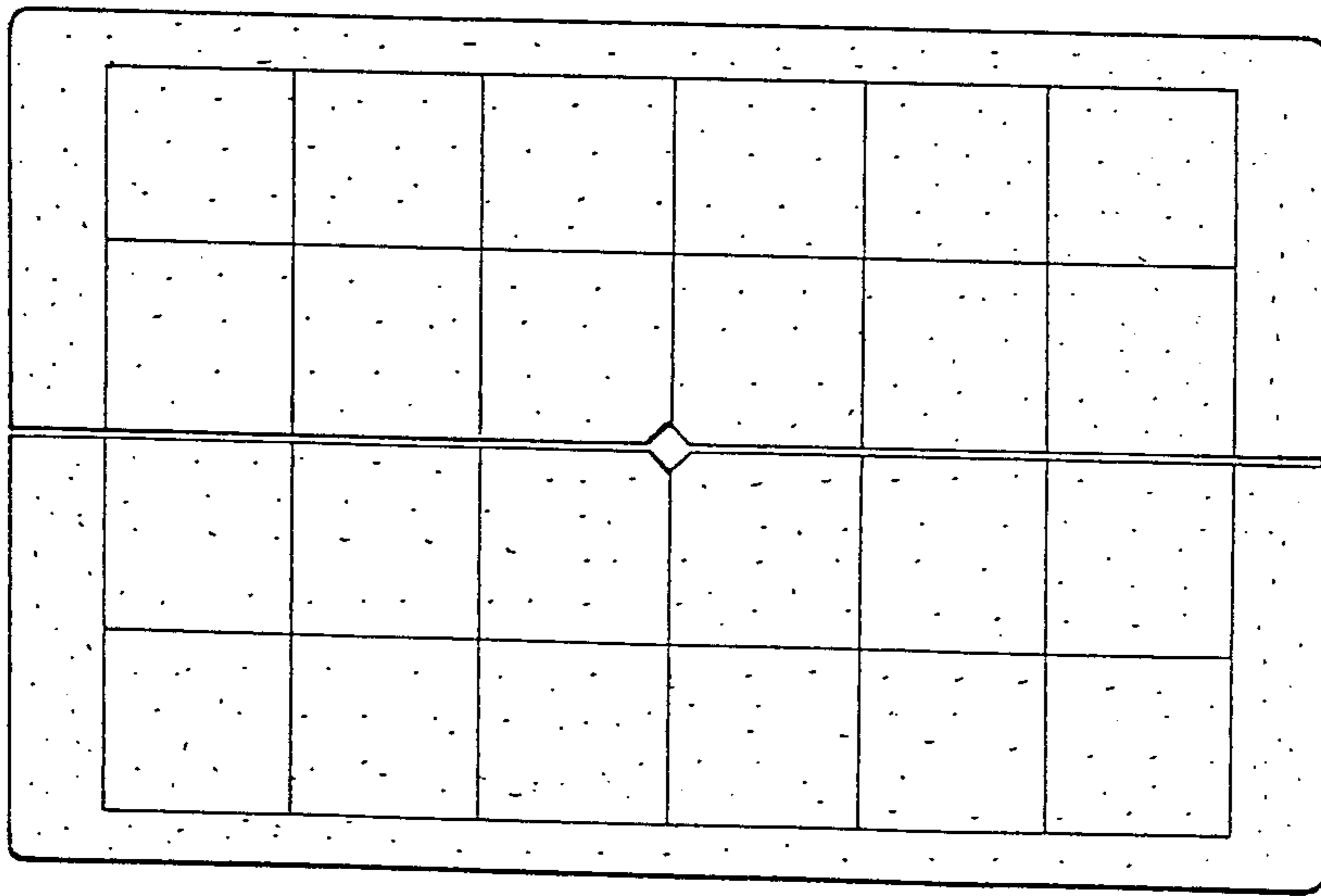


FIG.5

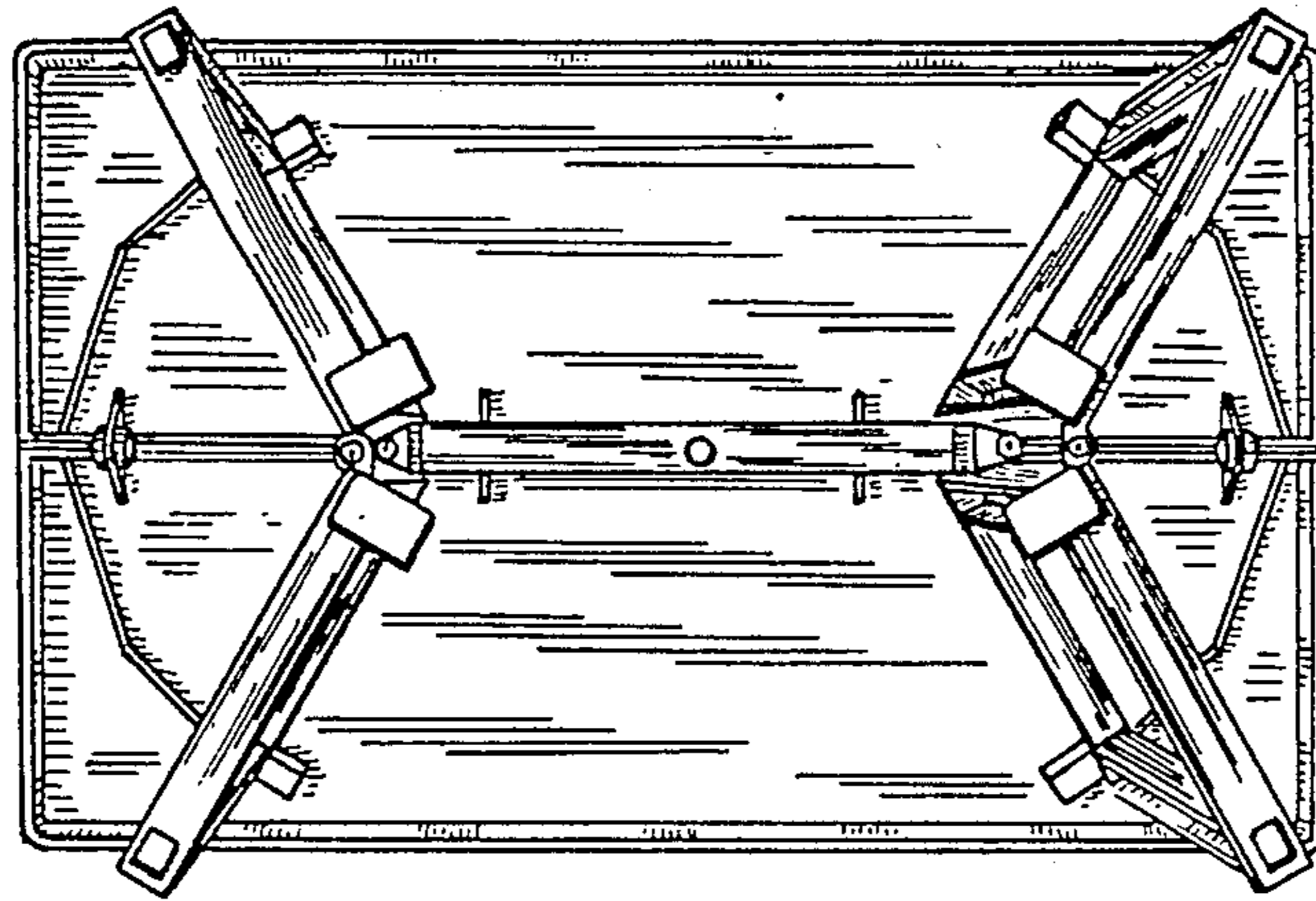


FIG.6

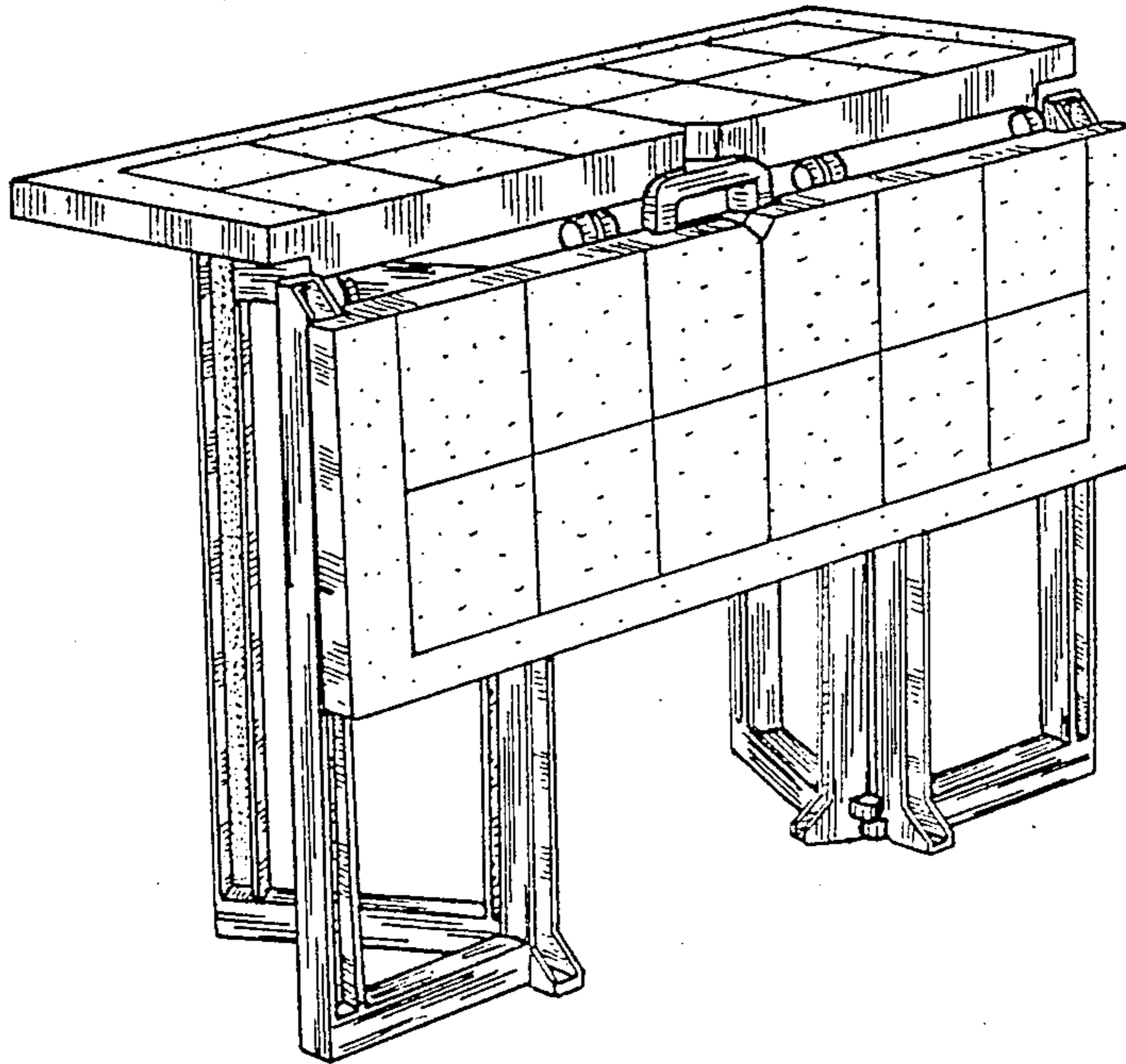


FIG. 7

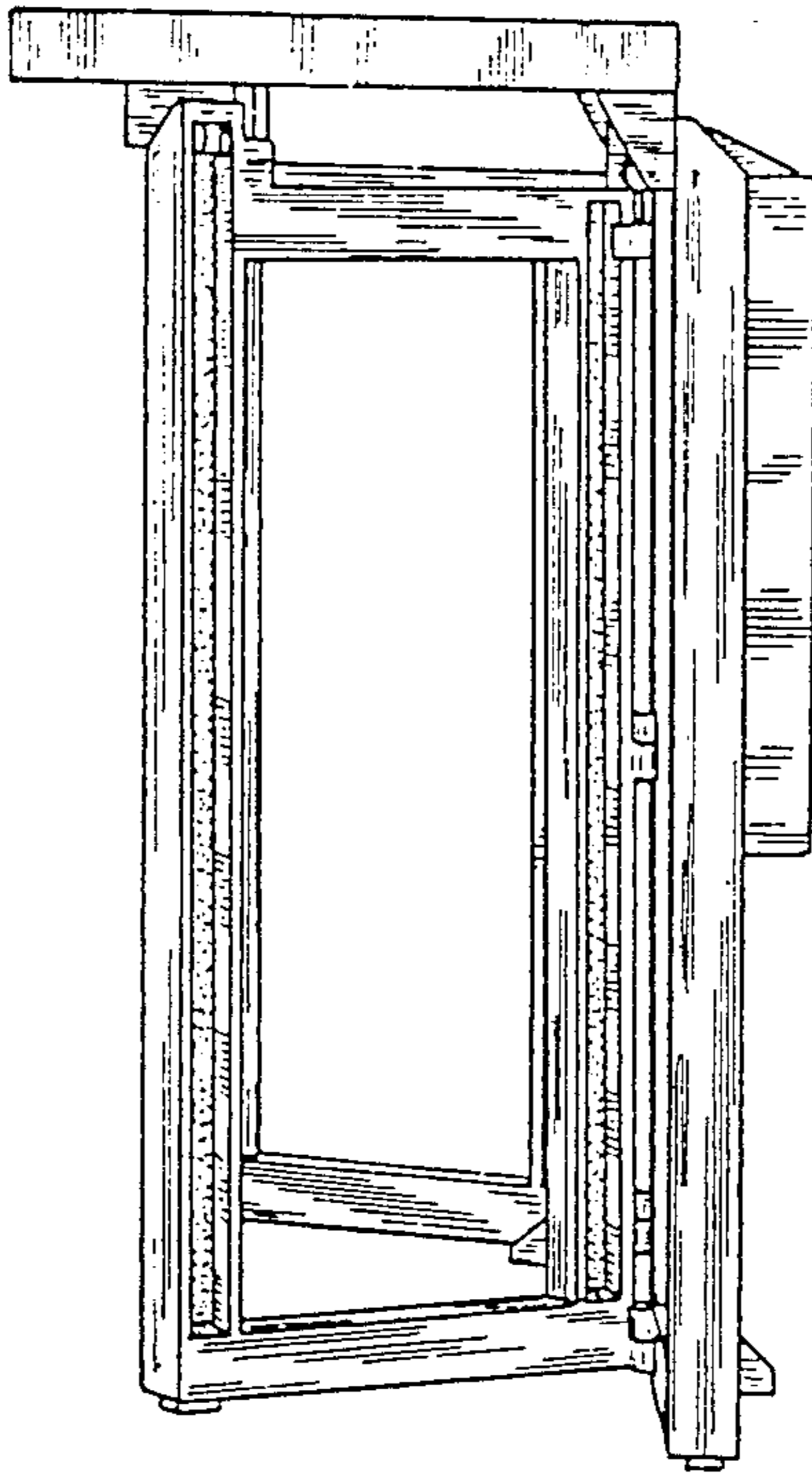
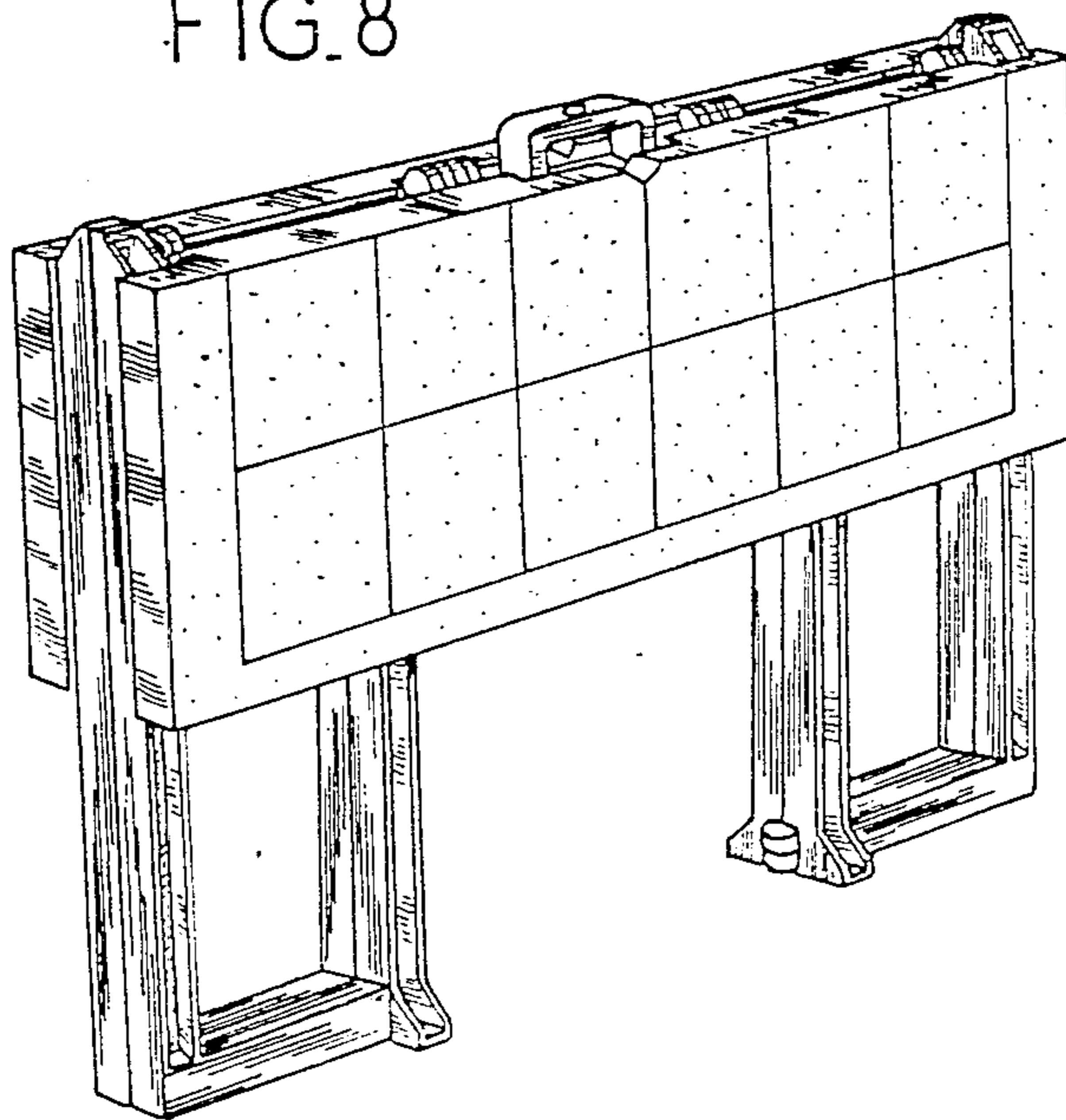


FIG. 8



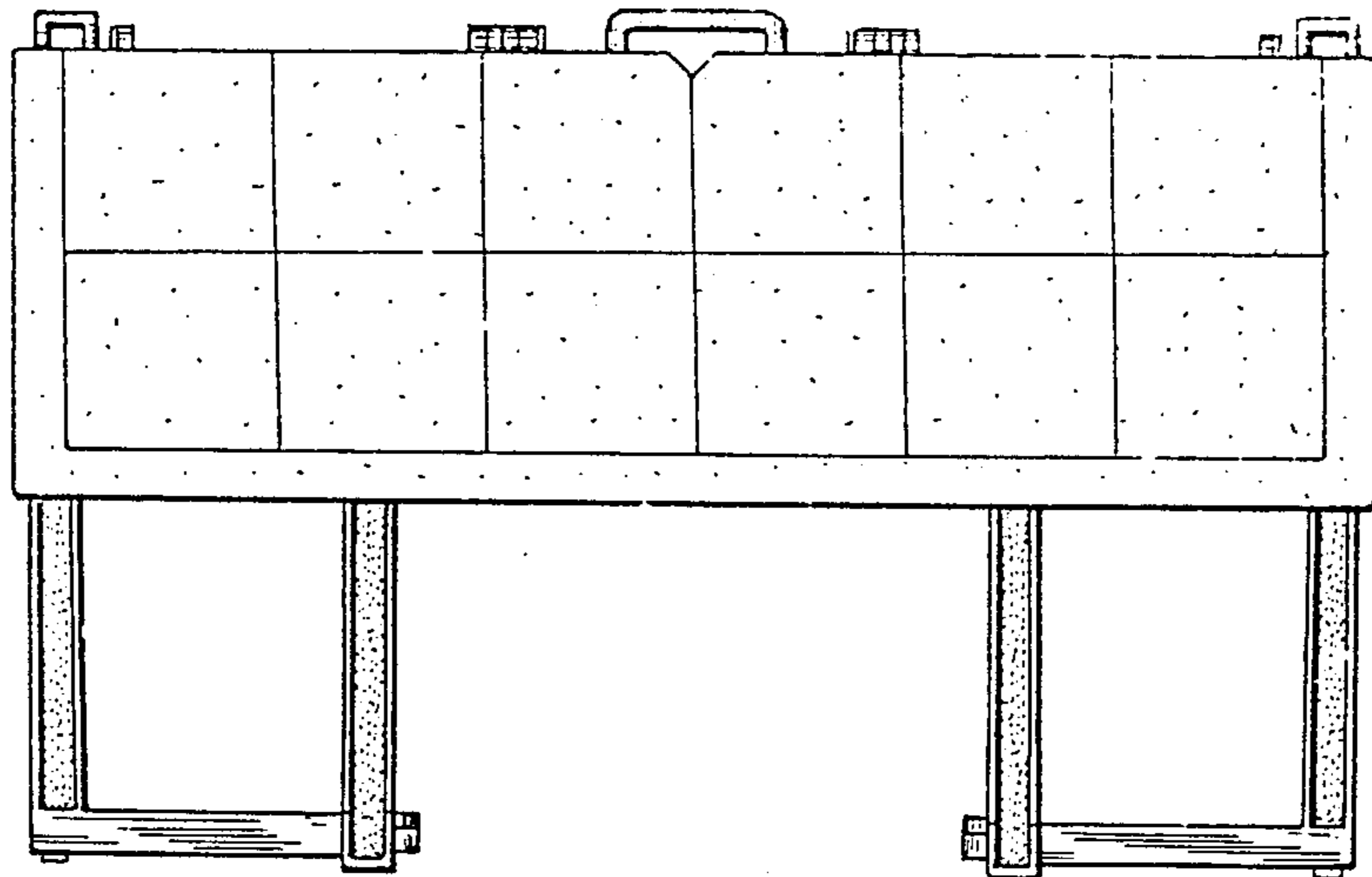


FIG. 9

FIG. 10

