

[54] **PAINT ROLLER FRAME**

[76] **Inventor: Morley L. Smith, 297 London Drive,  
Beaconsfield, Que., Canada, H9W  
5Z1**

[\*\*] **Term: 14 Years**

[21] **Appl. No.: 857,595**

[22] **Filed: Apr. 23, 1986**

[52] **U.S. CL. .... D4/122**

[58] **Field of Search ..... D4/122; 15/230.11, 143**

[56] **References Cited**

**U.S. PATENT DOCUMENTS**

D. 206,258 11/1966 Roth ..... D4/122  
D. 269,650 7/1983 Allison ..... D4/122  
3,588,264 6/1971 Mallindine ..... 15/230.11 X

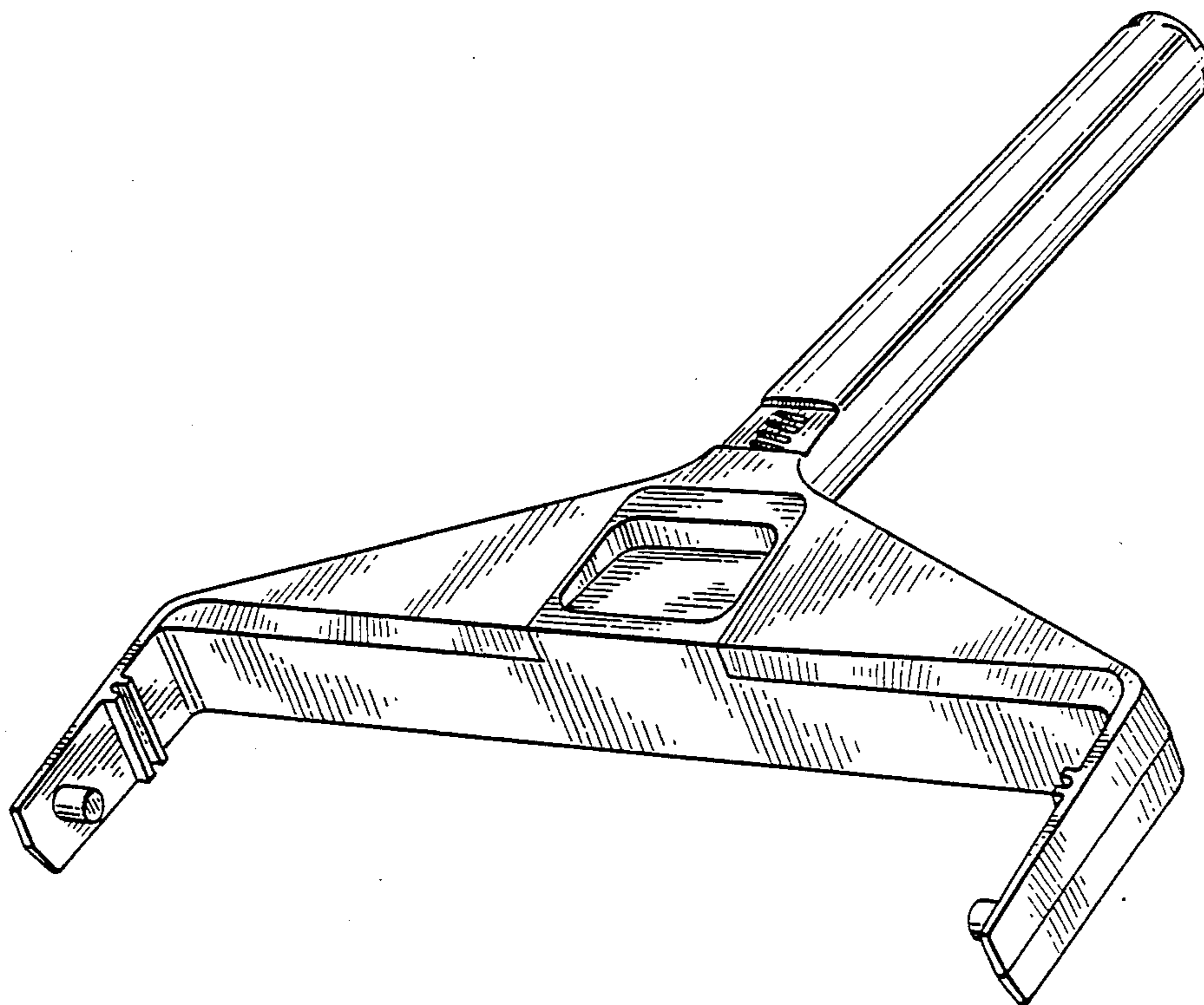
*Primary Examiner*—Catherine E. Kemper  
*Attorney, Agent, or Firm*—Fetherstonhaugh & Co.

[57] **CLAIM**

The ornamental design for a paint roller frame, as shown and described.

**DESCRIPTION**

FIG. 1 is a top perspective view of a paint roller frame, showing my new design;  
FIG. 2 is a bottom perspective view thereof;  
FIG. 3 is a top plan view thereof;  
FIG. 4 is a side elevational view thereof.



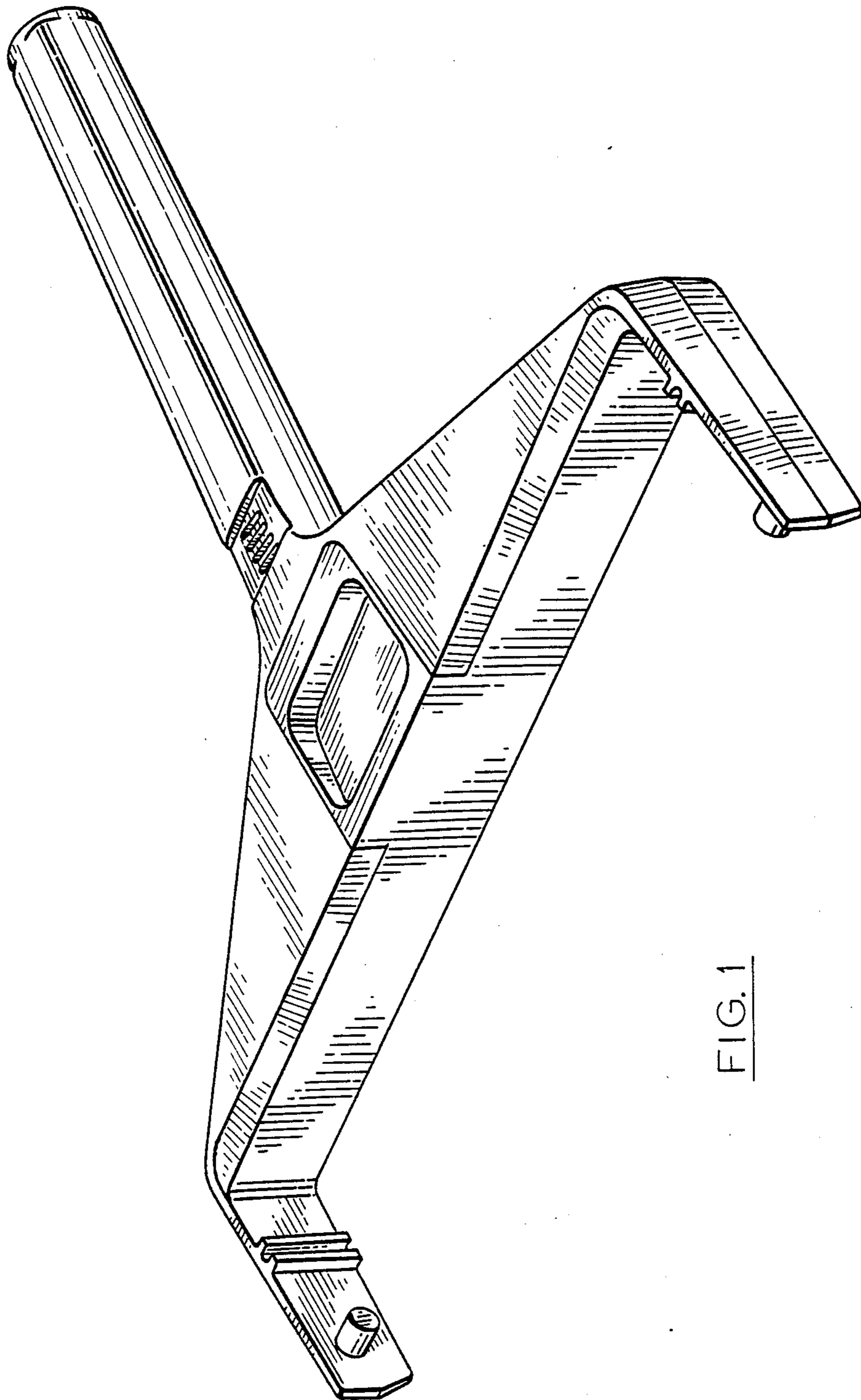


FIG. 1

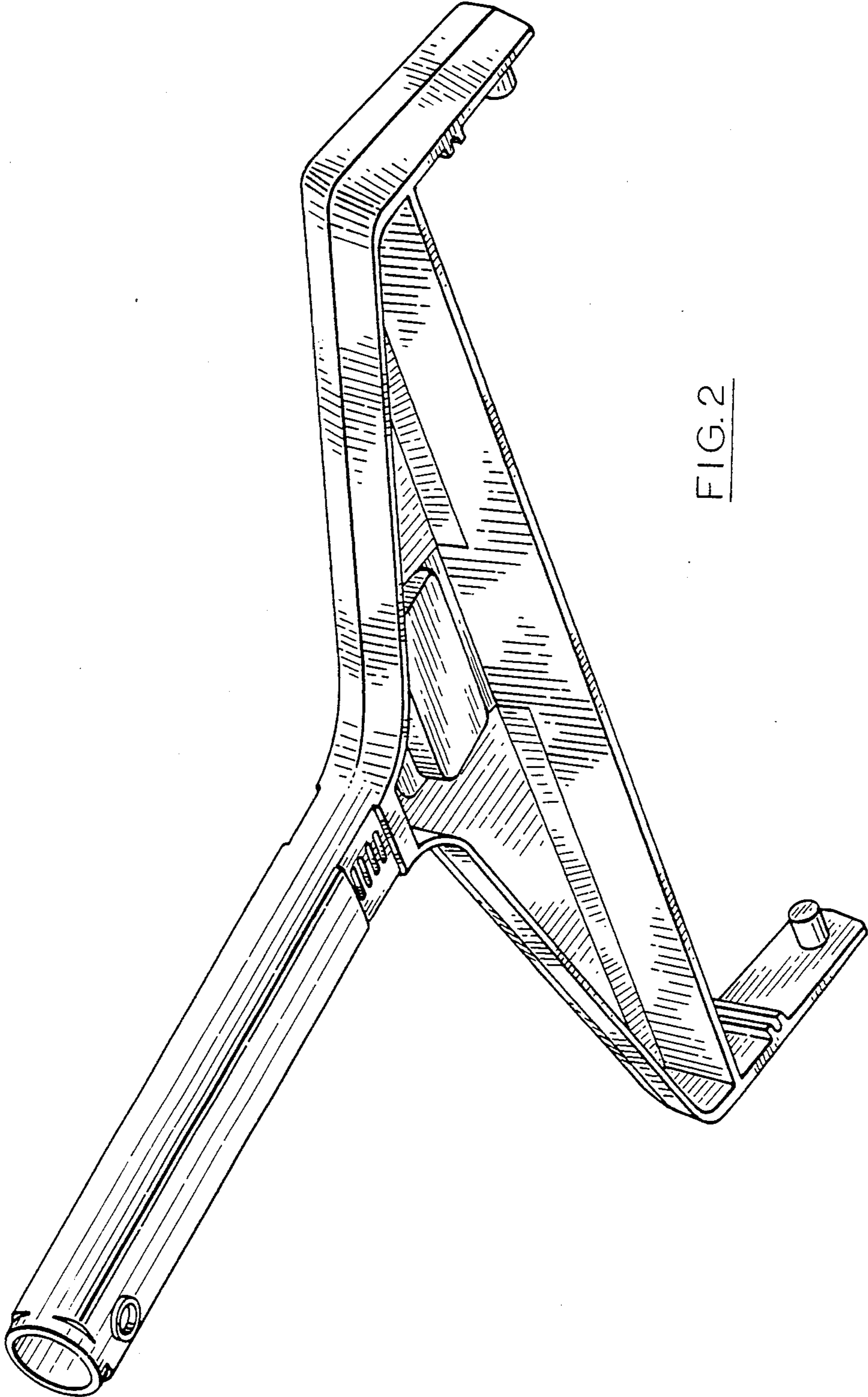


FIG. 2

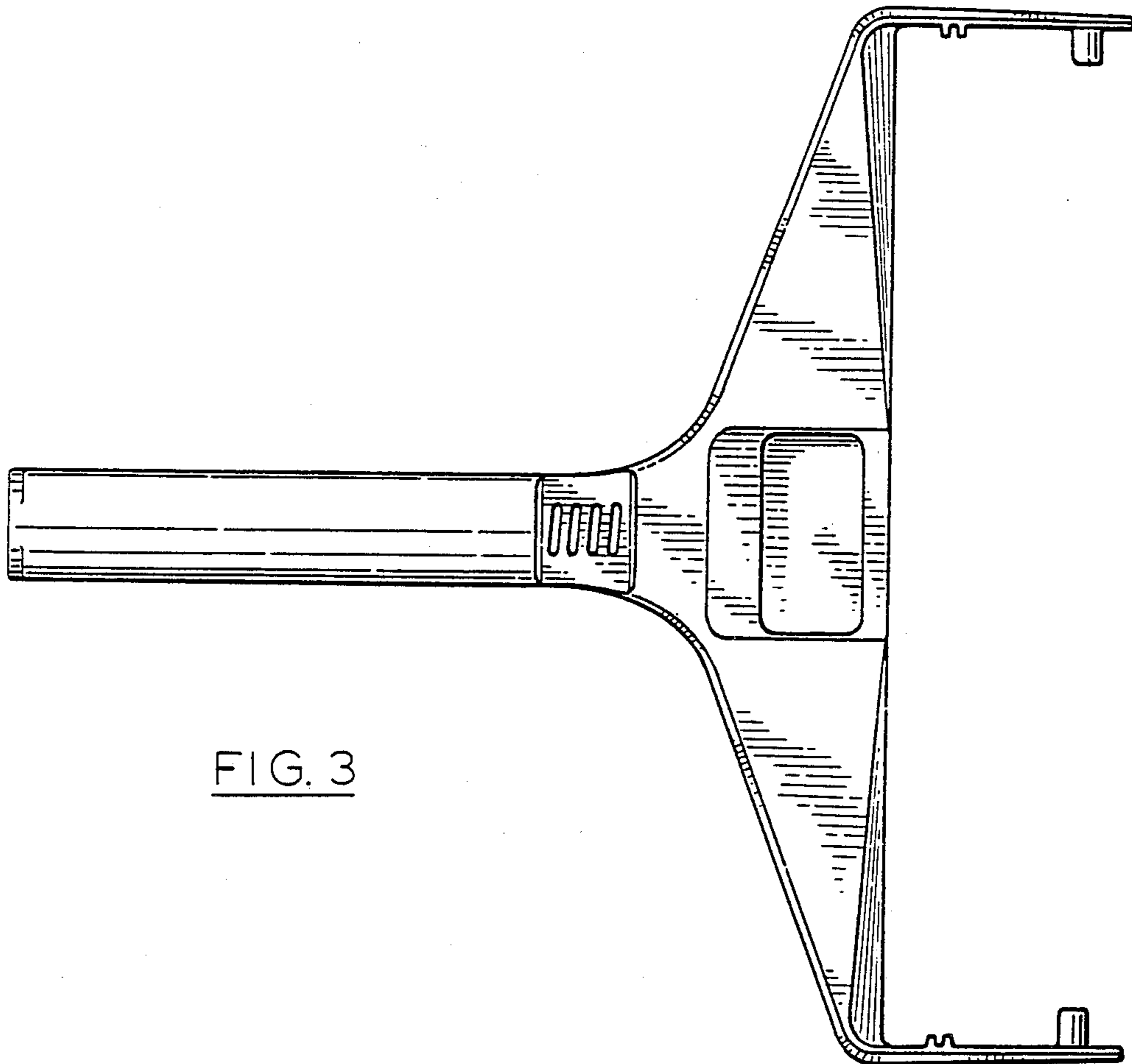


FIG. 3

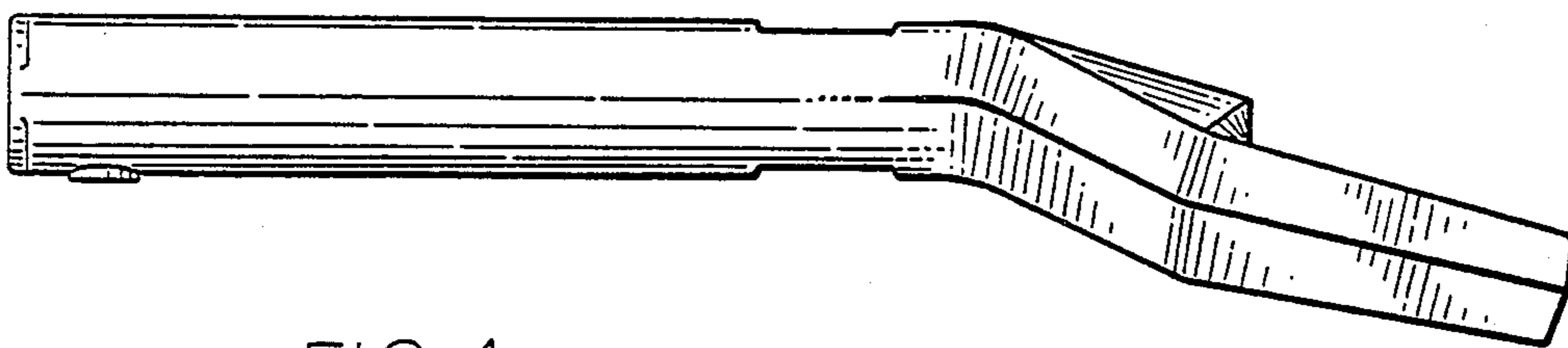


FIG. 4