

- [54] **HOLSTER FOR PHARMACEUTICAL BOTTLE**
- [75] Inventors: **James G. Stout; Brian D. Oyster,**
both of Alliance, Ohio
- [73] Assignee: **Coastal Pet Products, Inc., Alliance,**
Ohio
- [**] Term: **14 Years**
- [21] Appl. No.: **742,530**
- [22] Filed: **Jun. 7, 1985**
- [52] U.S. Cl. **D3/106**
- [58] Field of Search **D3/100, 101, 102-106;**
D2/630; 224/253, 148, 904; 220/85 H

D. 281,830	12/1985	Hengesbach	D3/106
D. 286,949	12/1986	Hardman	D3/106
4,120,434	10/1978	Hewes	224/253 X
4,588,116	5/1986	Litman	224/253

Primary Examiner—Carmen H. Vales
Attorney, Agent, or Firm—Michael Sand Co.

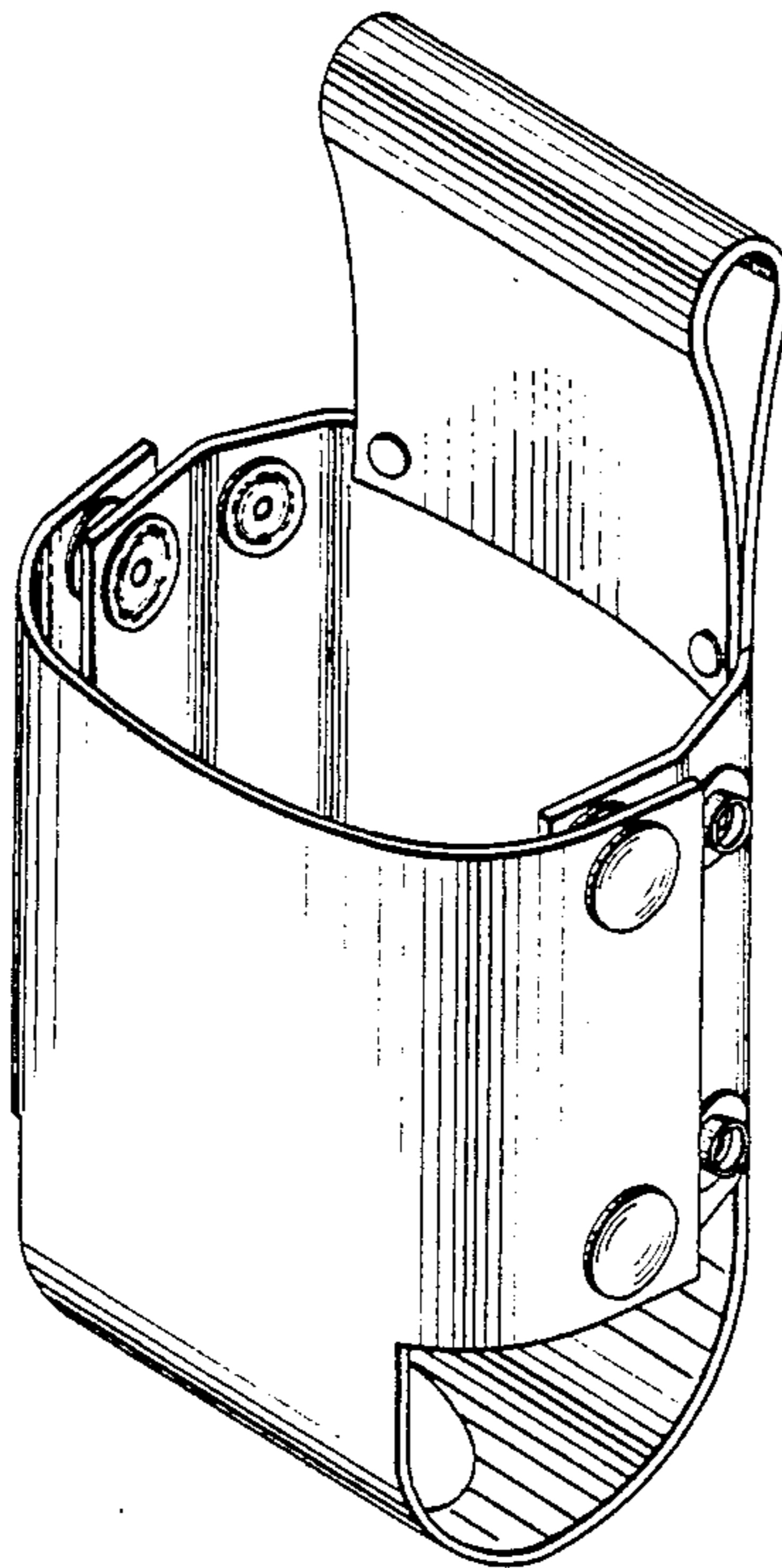
[57] **CLAIM**

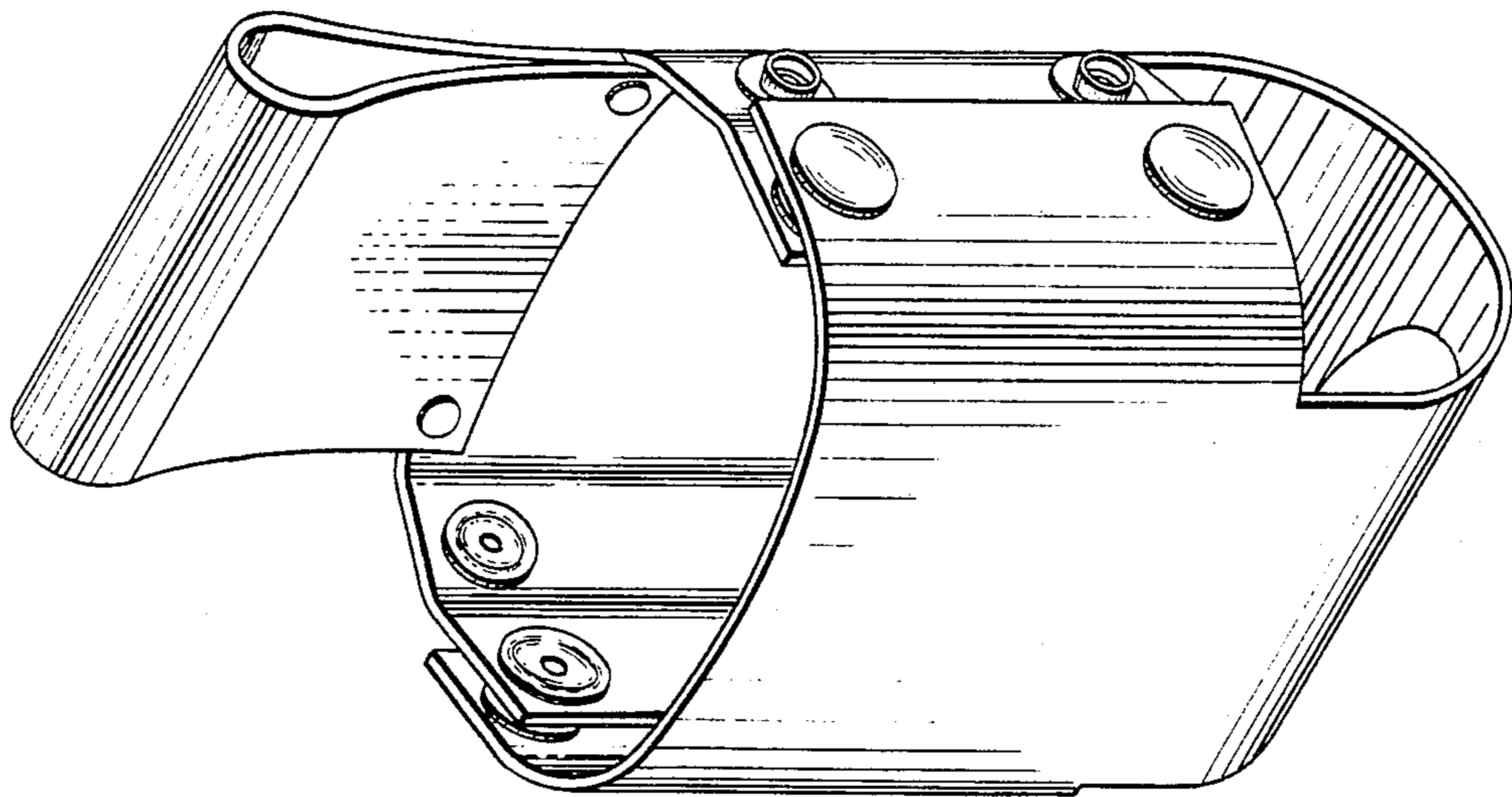
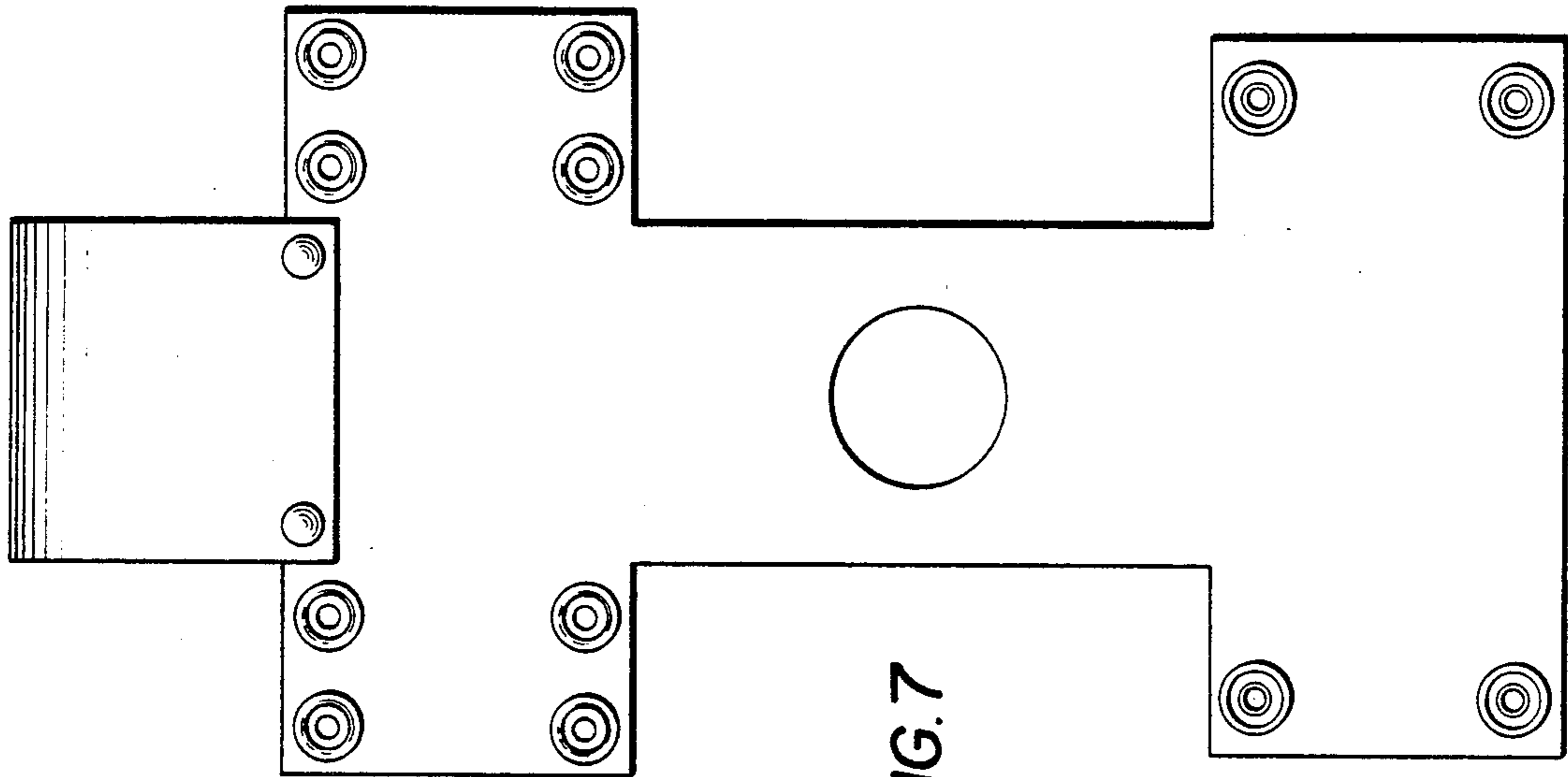
The ornamental design for a holster for pharmaceutical bottle, as shown and described.

DESCRIPTION

FIG. 1 is a perspective view of a holster for pharmaceutical bottle showing my new design;
 FIG. 2 is a front elevational view thereof;
 FIG. 3 is a top plan view thereof;
 FIG. 4 is a right side elevational view the left side being a mirror image thereof;
 FIG. 5 is a bottom plan view thereof;
 FIG. 6 is a rear elevational view thereof; and
 FIG. 7 is a top plan view in a flat extended position.

- [56] **References Cited**
- U.S. PATENT DOCUMENTS**
- D. 171,359 1/1954 Keyston D2/630 X
- D. 272,774 2/1984 Weissenburger D3/106
- D. 280,256 8/1985 Miller D3/106





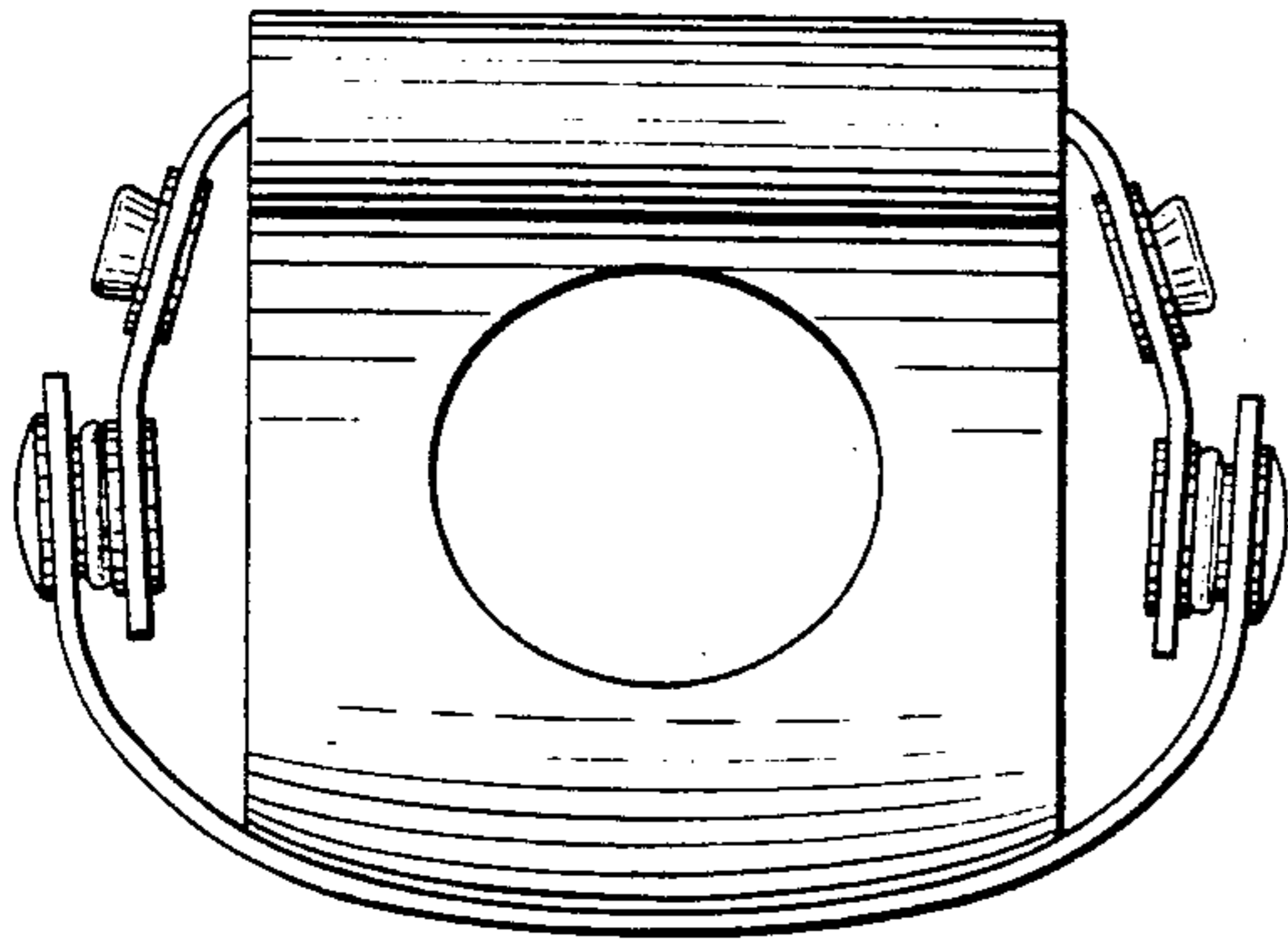


FIG. 3

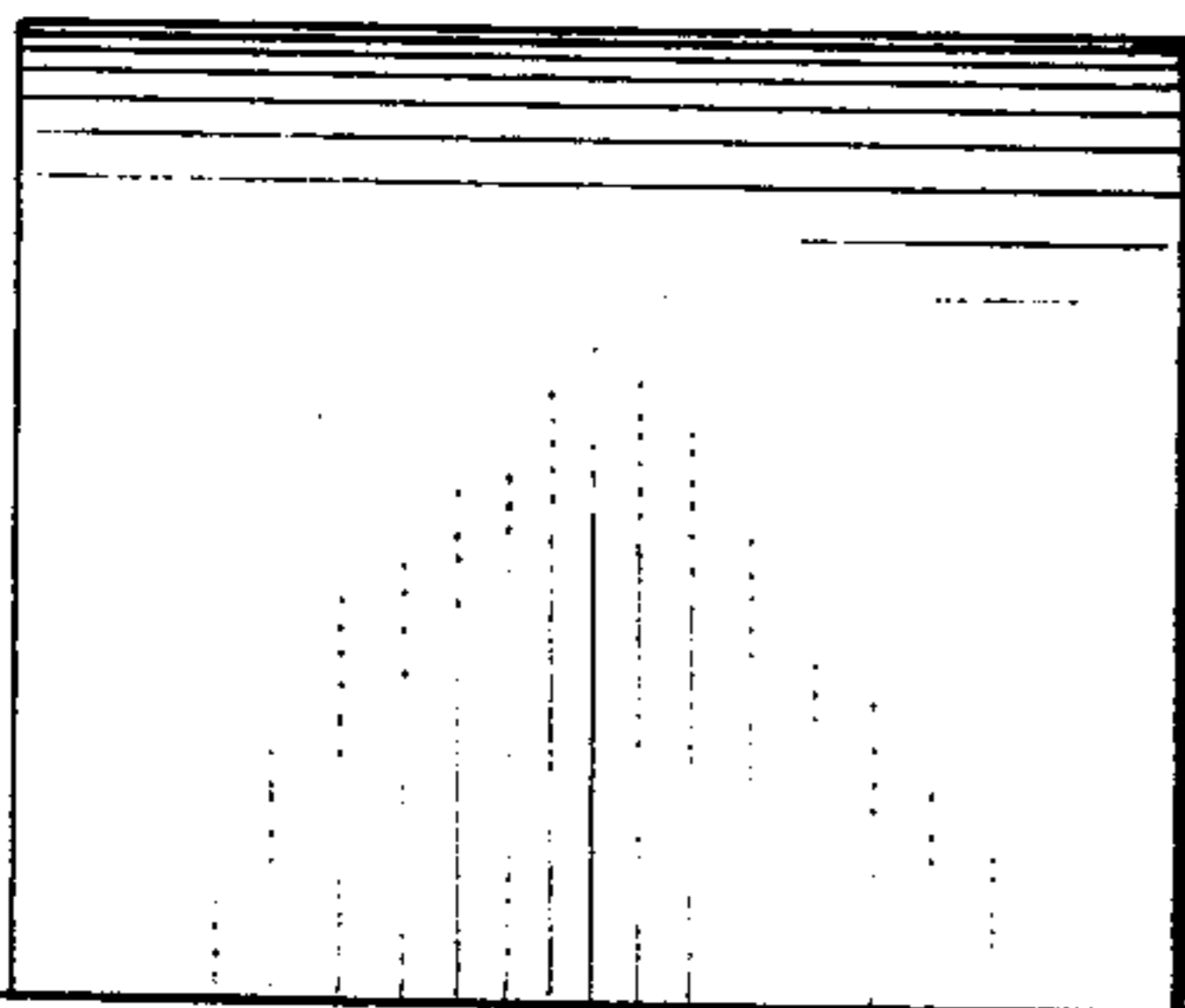


FIG. 2

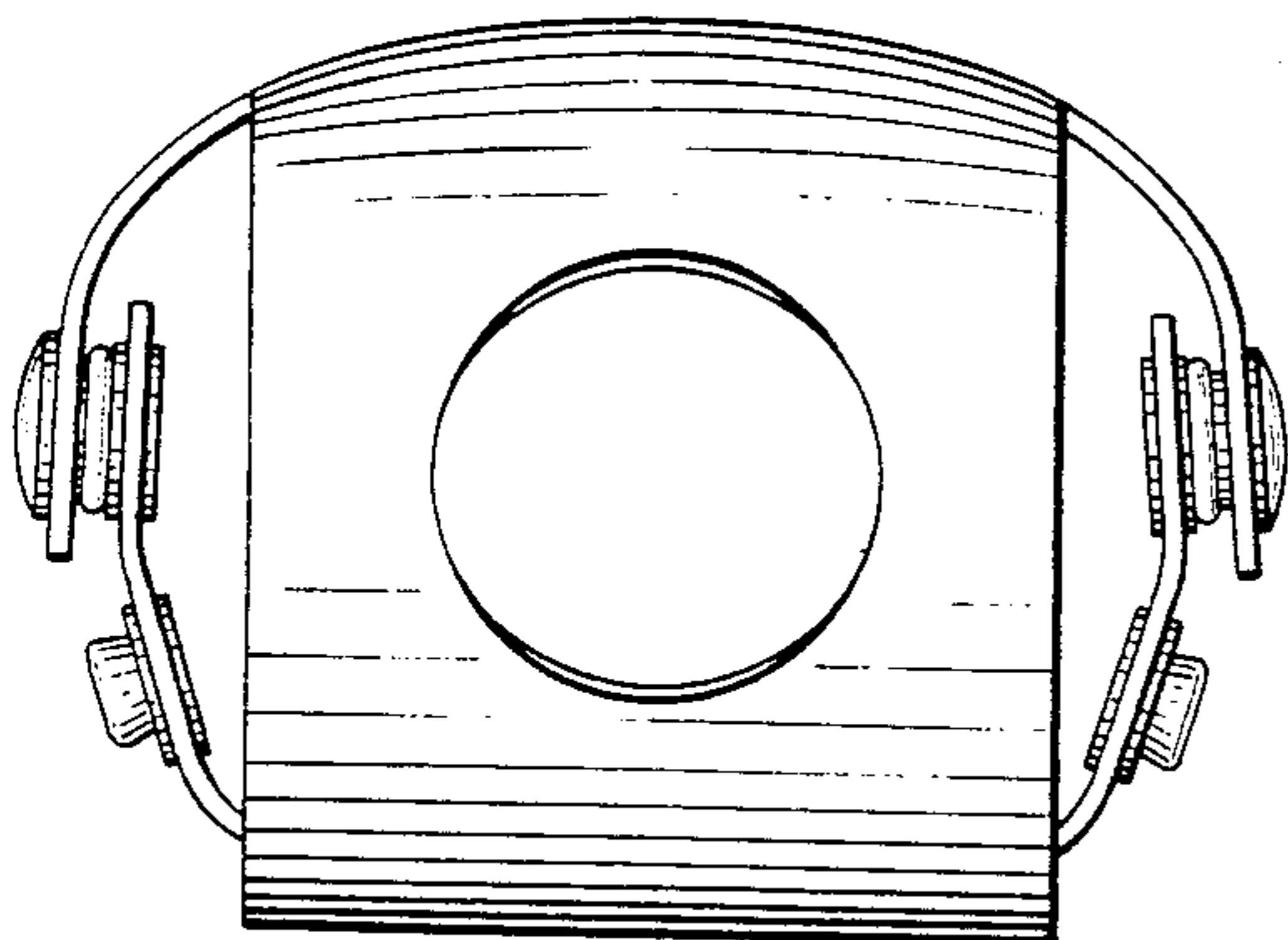
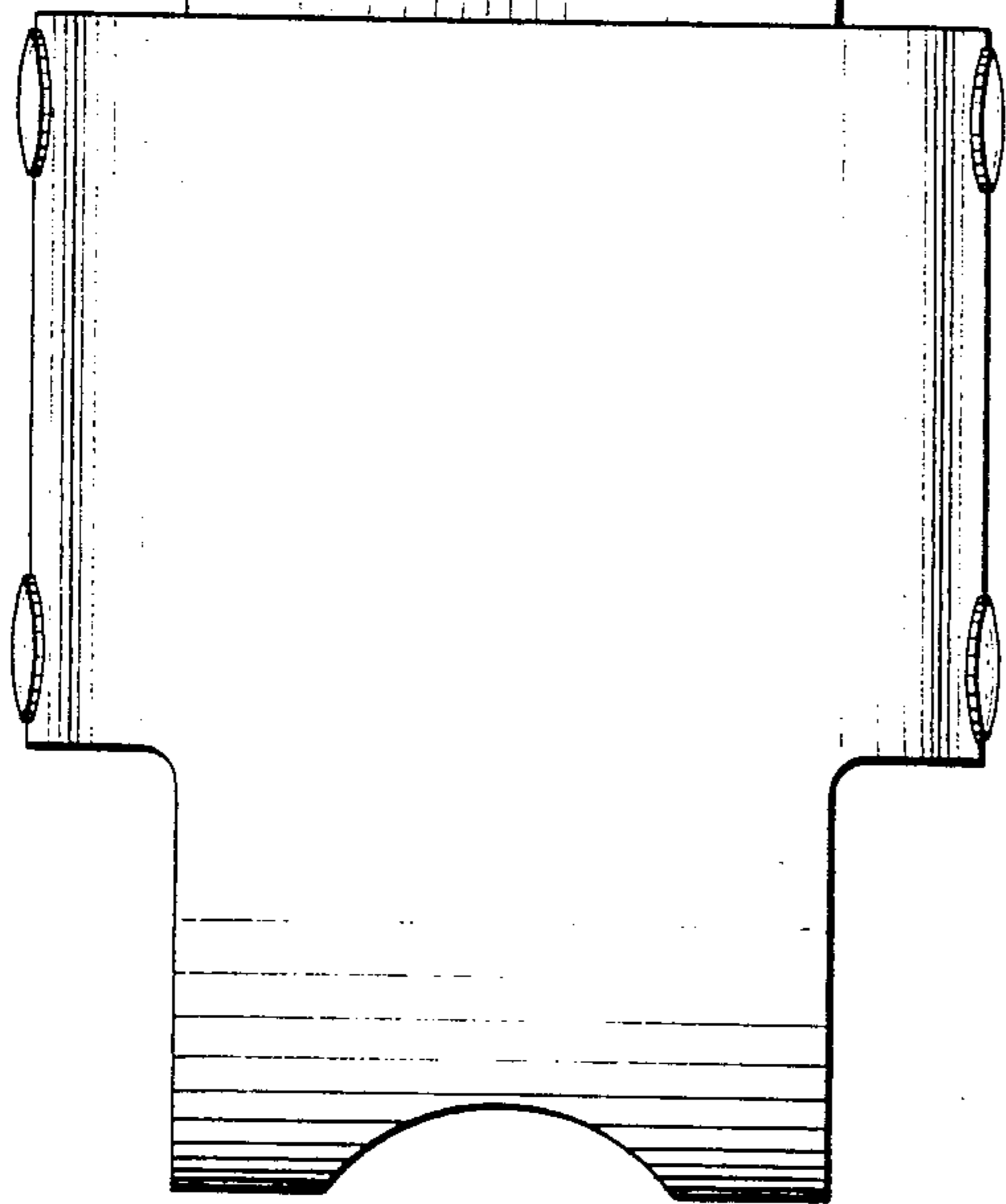


FIG. 5

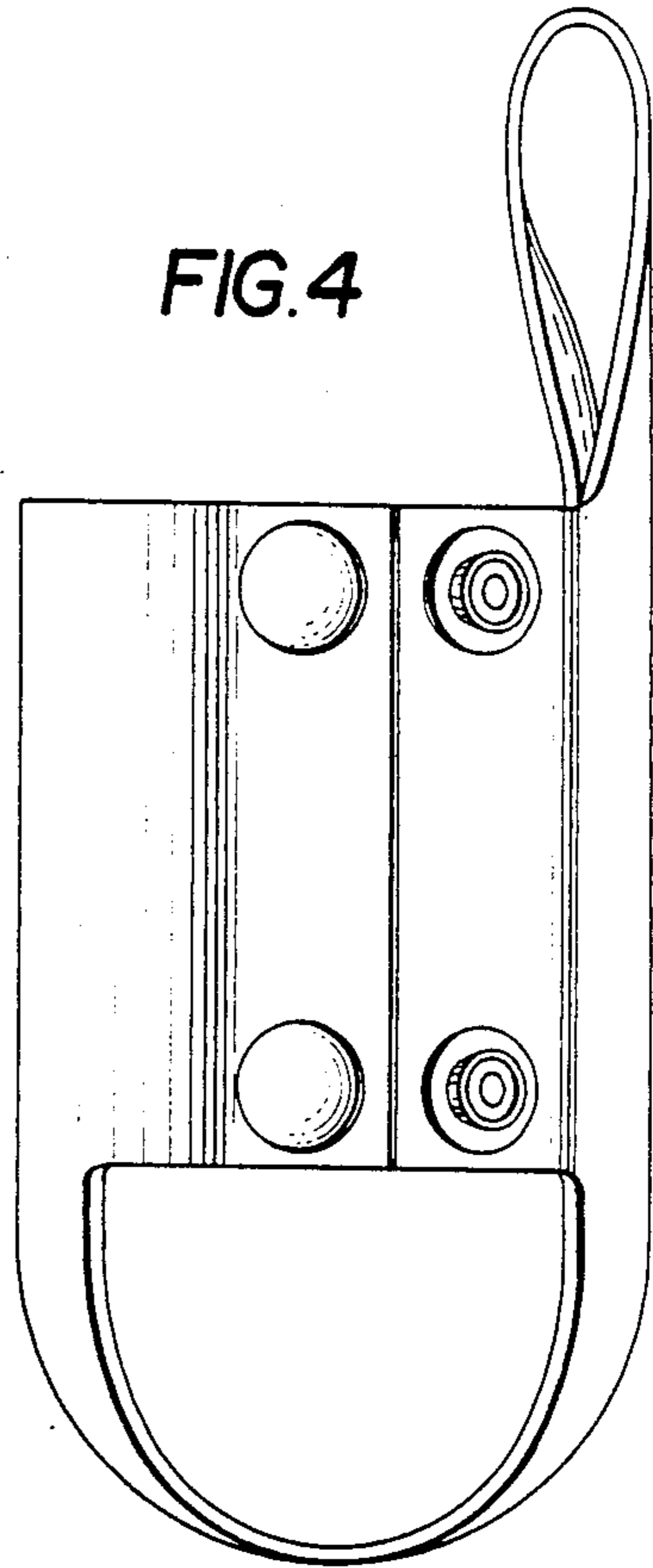


FIG. 4

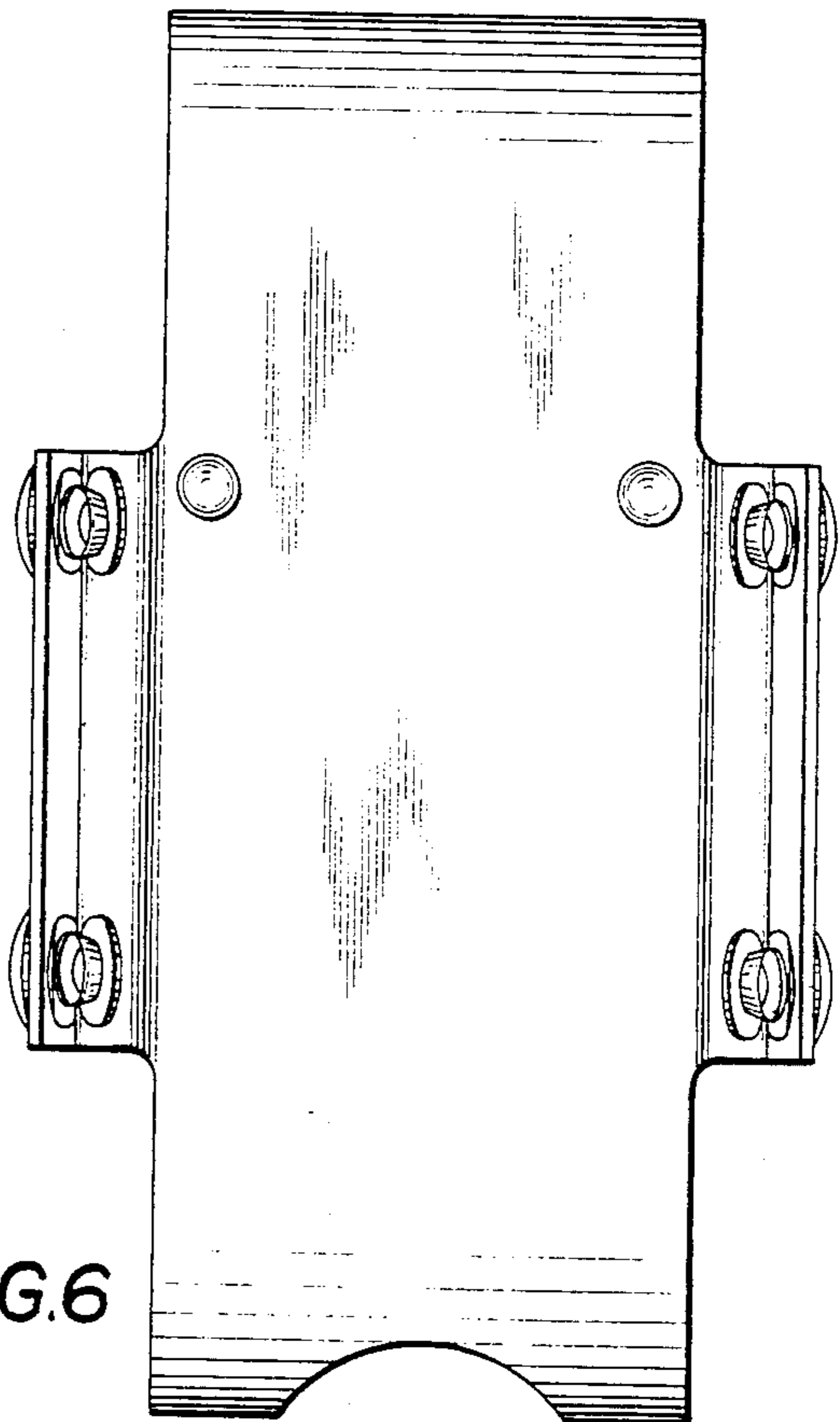


FIG. 6